



US00D661136S

(12) **United States Design Patent**  
**Su**

(10) **Patent No.:** **US D661,136 S**  
(45) **Date of Patent:** **\*\* Jun. 5, 2012**

(54) **CHAIR BACKREST**

(76) Inventor: **Tung-Hua Su**, Tainan Hsien (TW)

(\*\*) Term: **14 Years**

(21) Appl. No.: **29/365,389**

(22) Filed: **Jul. 8, 2010**

(51) **LOC (9) Cl.** ..... **06-01**

(52) **U.S. Cl.** ..... **D6/502; D6/366**

(58) **Field of Classification Search** ..... D6/334-336,  
D6/364, 365, 366, 367, 369, 374, 379, 380,  
D6/500-502; 297/284.4, 300.2, 411.27,  
297/411.36, 452.13, 452.29, 452.3, 452.46,  
297/452.56, 452.64

See application file for complete search history.

(56) **References Cited**

**U.S. PATENT DOCUMENTS**

D493,627 S *	8/2004	Ma	.....	D6/366
D514,832 S *	2/2006	Tsai	.....	D6/366
D540,080 S *	4/2007	Su	.....	D6/502
D540,081 S *	4/2007	Su	.....	D6/502
D540,579 S *	4/2007	Su	.....	D6/502

D540,580 S *	4/2007	Su	.....	D6/502
D543,398 S *	5/2007	Su	.....	D6/502
D579,695 S *	11/2008	Wu	.....	D6/500
D580,198 S *	11/2008	Wu	.....	D6/502
D580,199 S *	11/2008	Su	.....	D6/502
D582,170 S *	12/2008	Chi	.....	D6/366
D596,430 S *	7/2009	Su	.....	D6/502
D604,071 S *	11/2009	Su	.....	D6/502

\* cited by examiner

*Primary Examiner* — Mimosa De

(57) **CLAIM**

The ornamental design for a chair backrest, as shown and described.

**DESCRIPTION**

FIG. 1 is a perspective view of the chair backrest showing my new design;

FIG. 2 is a front elevation view thereof;

FIG. 3 is a rear elevation view thereof;

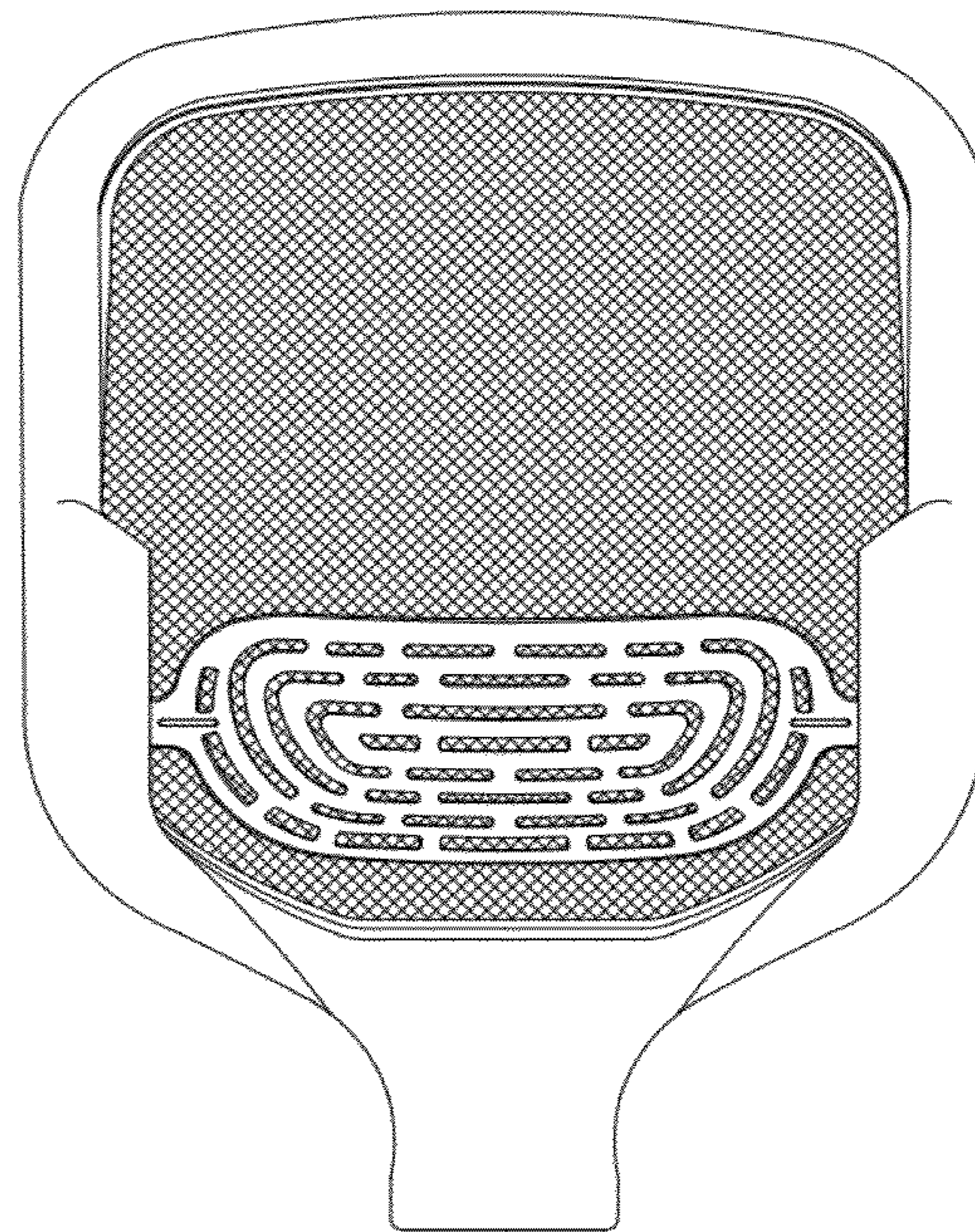
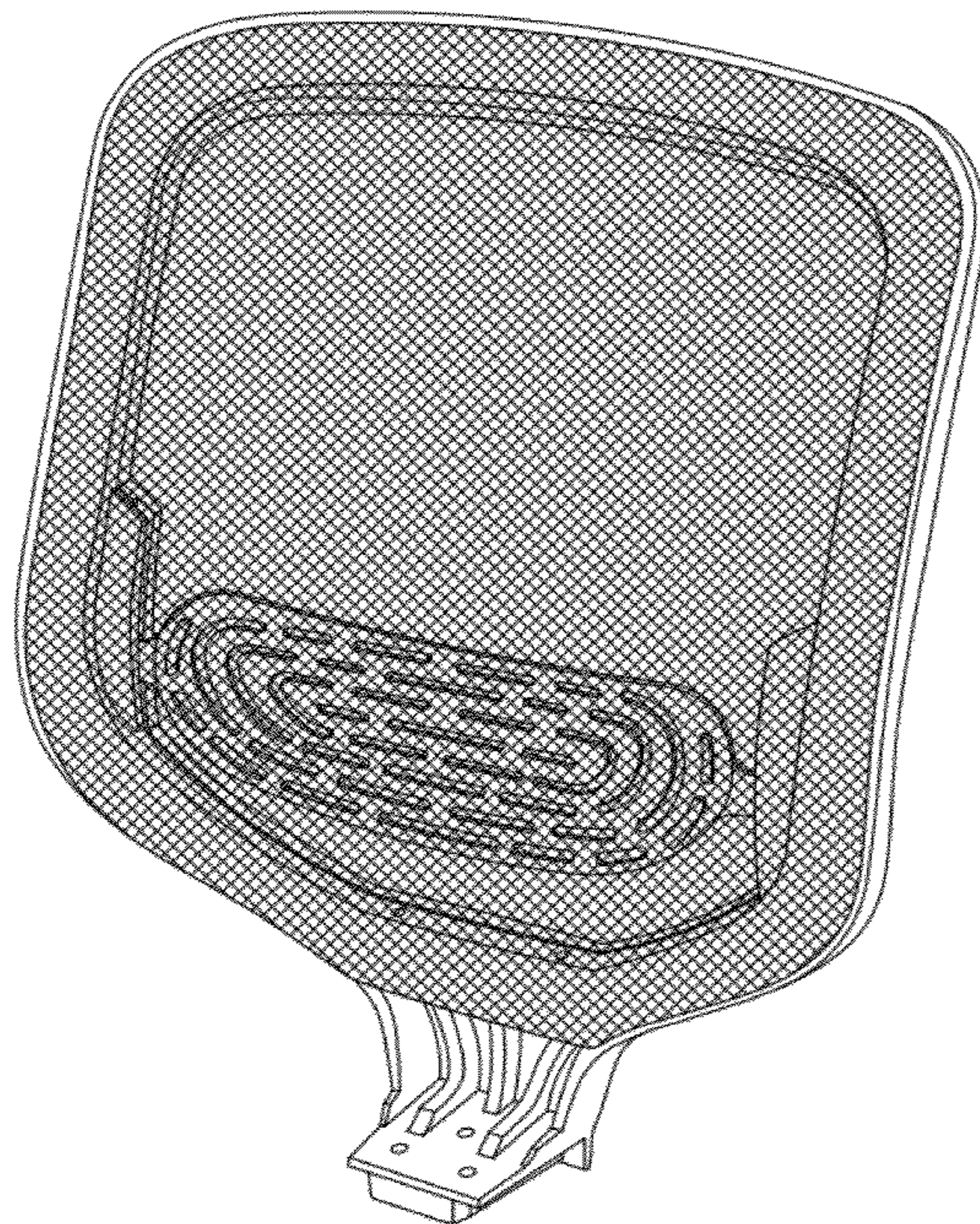
FIG. 4 is a left side elevation view thereof;

FIG. 5 is a right side elevation view thereof;

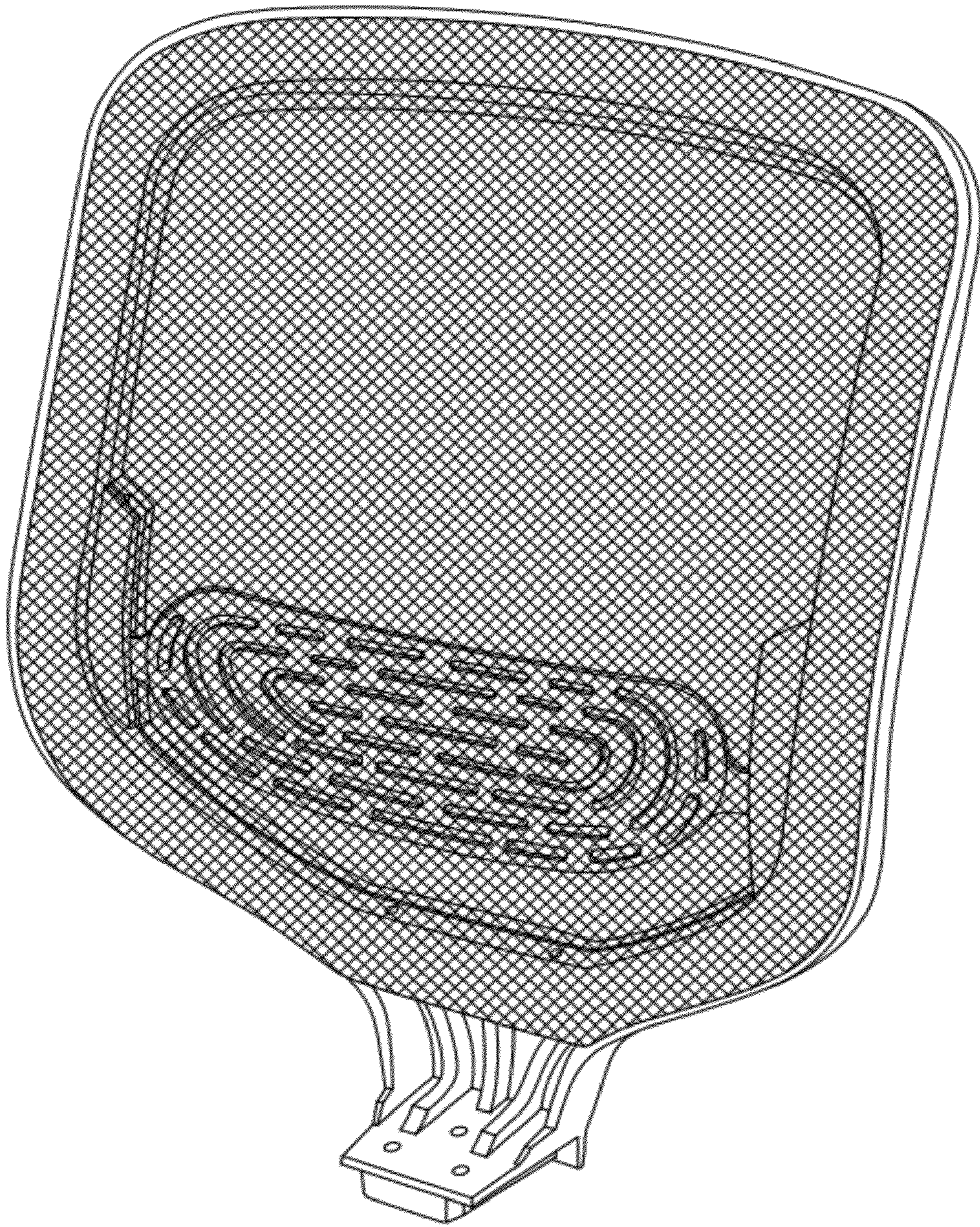
FIG. 6 is a top plan view thereof; and,

FIG. 7 is a bottom plan view thereof.

**1 Claim, 6 Drawing Sheets**







F I G . 1



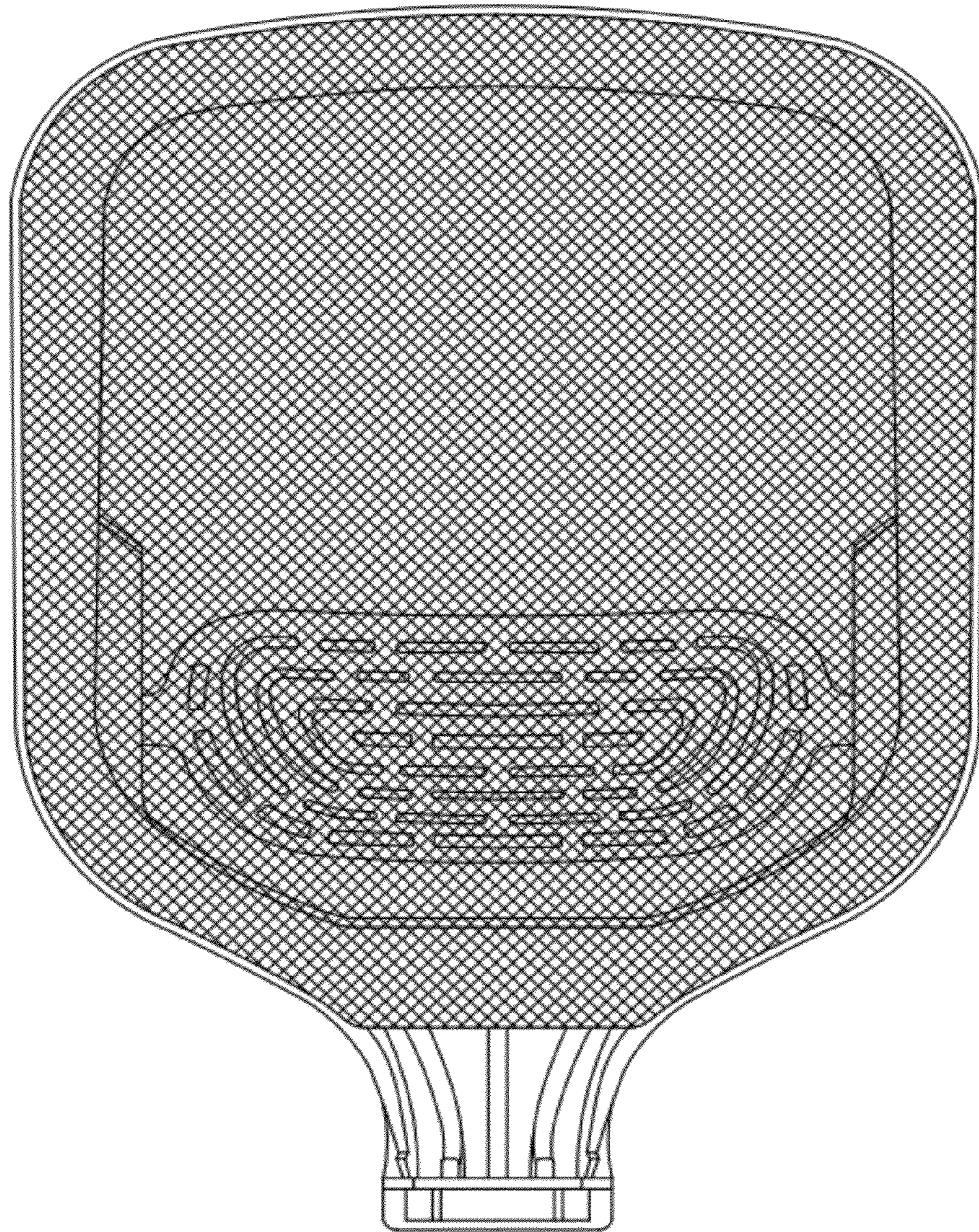
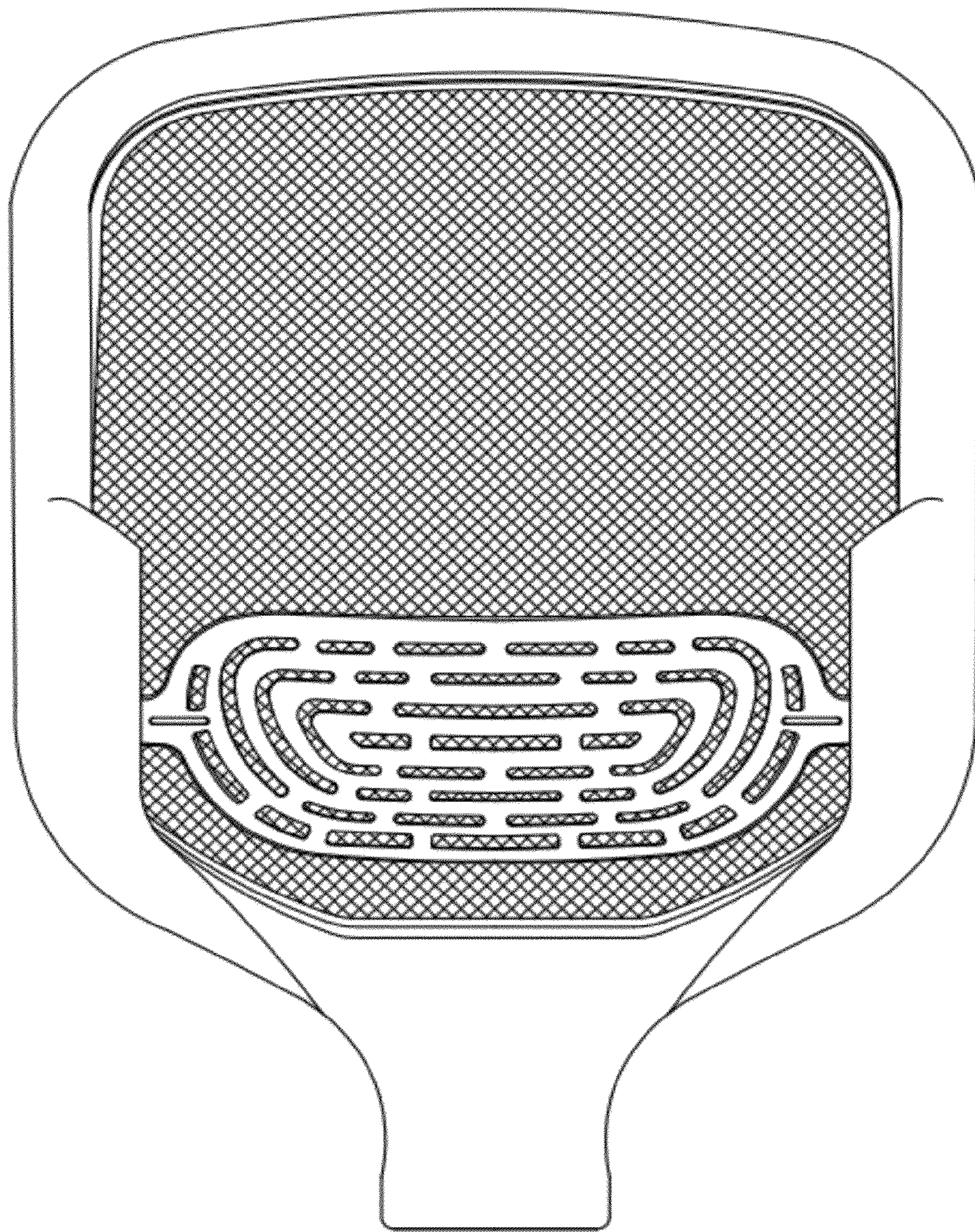


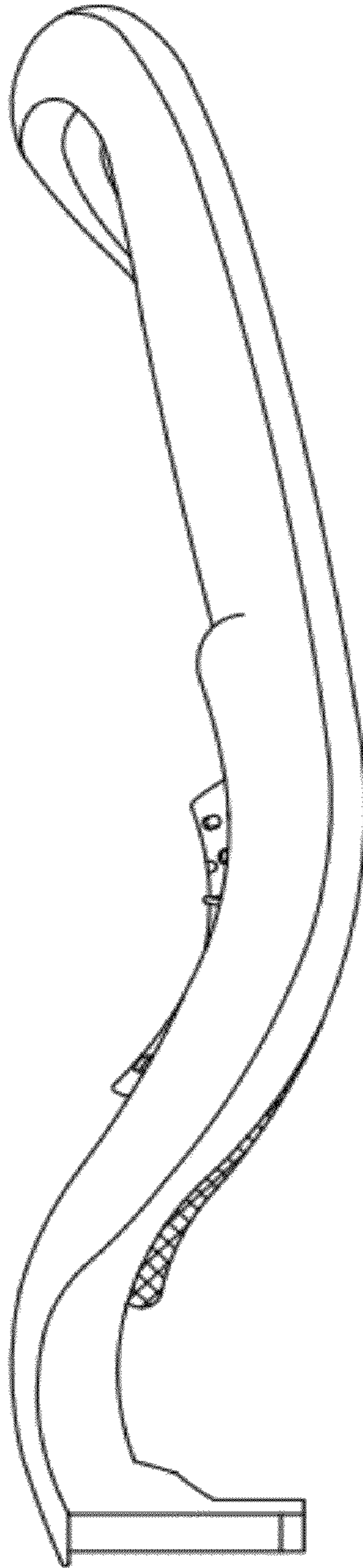
FIG. 2



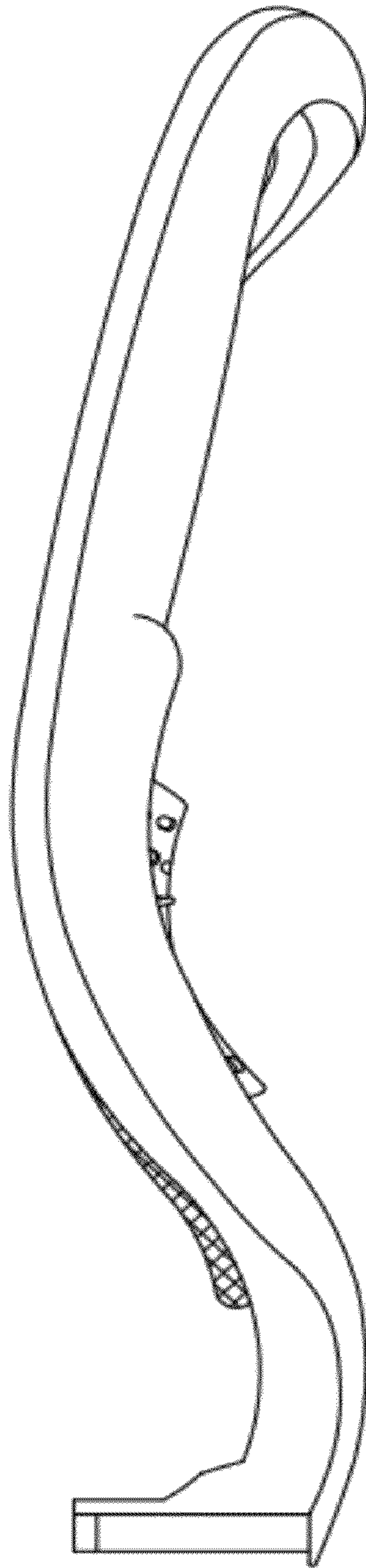


F I G . 3

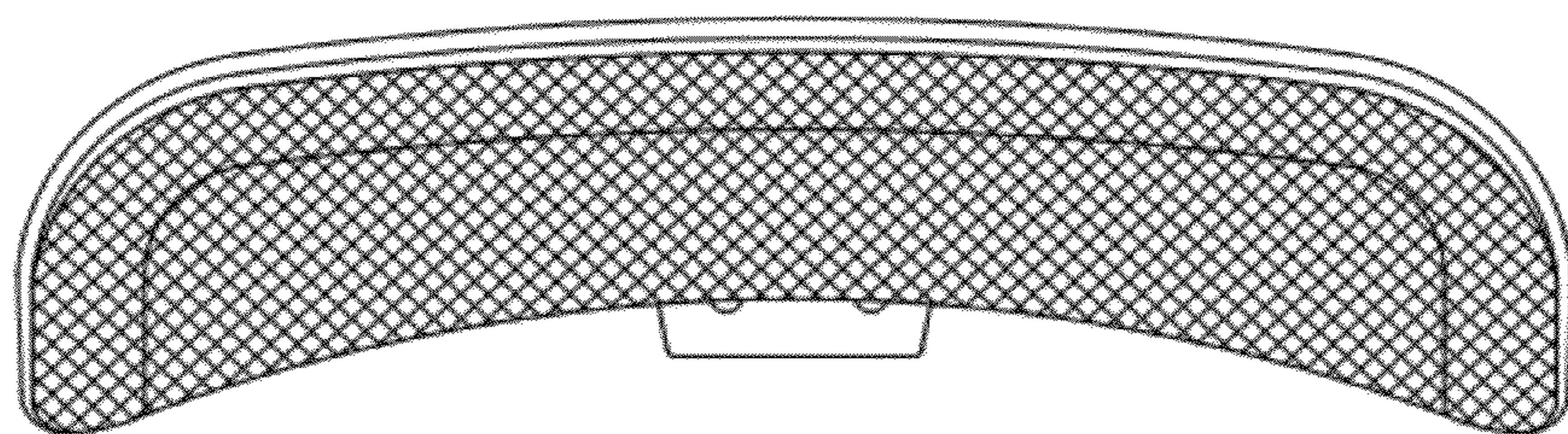




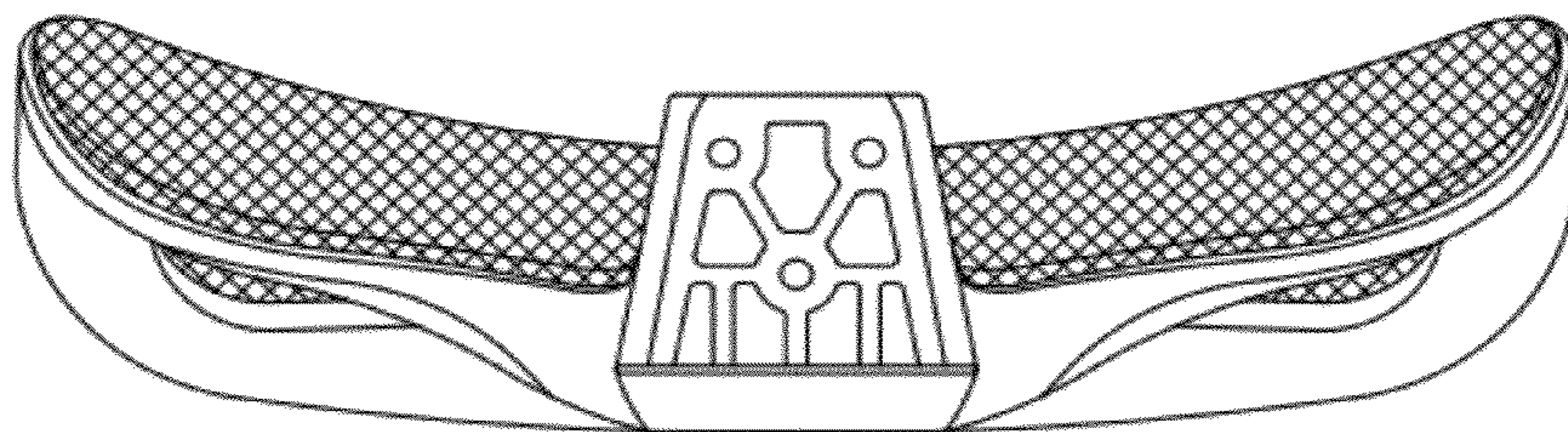
F I G . 4



F I G . 5



F I G . 6



F I G . 7