



US00D661135S

(12) **United States Design Patent**
Diffrient

(10) **Patent No.:** **US D661,135 S**
(45) **Date of Patent:** **** Jun. 5, 2012**

(54) **PAIR OF ARMRESTS FOR A CHAIR OR THE LIKE**

3,041,109 A 6/1962 Albinson et al.
3,337,267 A 8/1967 Rogers, Jr.
3,450,435 A 6/1969 Stephens

(75) Inventor: **Niels Diffrient**, Ridgefield, CT (US)

(Continued)

(73) Assignee: **Humanscale Corporation**, New York, NY (US)

FOREIGN PATENT DOCUMENTS

DE 4023607 1/1992

(Continued)

(**) Term: **14 Years**

OTHER PUBLICATIONS

(21) Appl. No.: **29/406,833**

U.S. Appl. No. 12/390,620; filed Feb. 23, 2009; entitled Seating Apparatus with reclining movement; Inventor: Niels Diffrient.

(22) Filed: **Nov. 18, 2011**

(Continued)

Related U.S. Application Data

(63) Continuation of application No. 11/425,298, filed on Jun. 20, 2006, now Pat. No. 8,061,775.

Primary Examiner — Mimosa De

(51) **LOC (9) Cl.** **06-01**

(74) *Attorney, Agent, or Firm* — Jones, Walker, Waechter, Poitevent, Carrere & Denegre, LLP

(52) **U.S. Cl.** **D6/501**

(58) **Field of Classification Search** D6/334-336, D6/364, 365, 366, 367, 374, 375, 379, 500, D6/501, 502; 297/411.29, 411.35, 285, 340, 297/341, 300.1-300.5, 452.13, 452.29

(57) **CLAIM**

I claim the ornamental design for a pair of armrests for a chair or the like, as shown and described.

See application file for complete search history.

DESCRIPTION

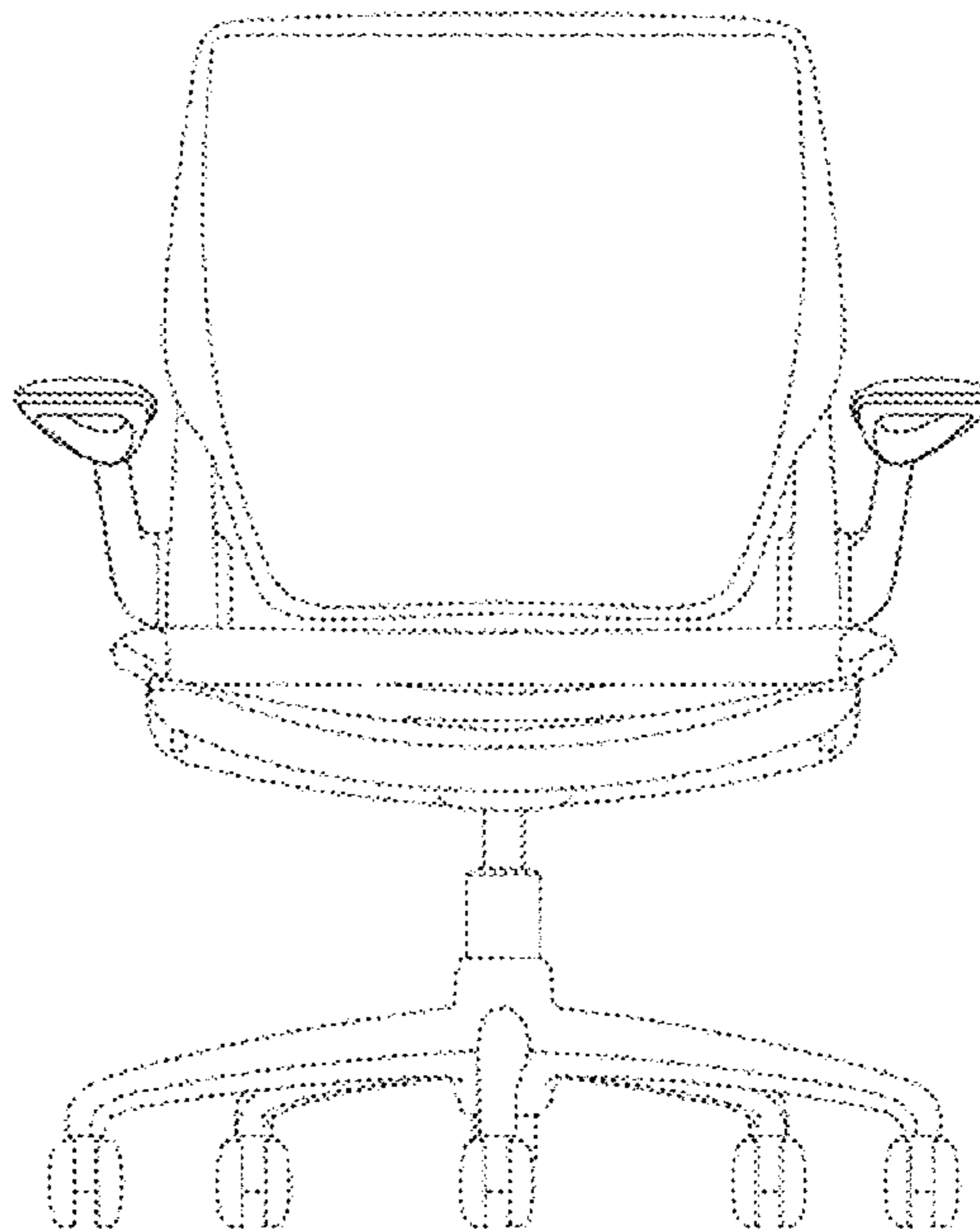
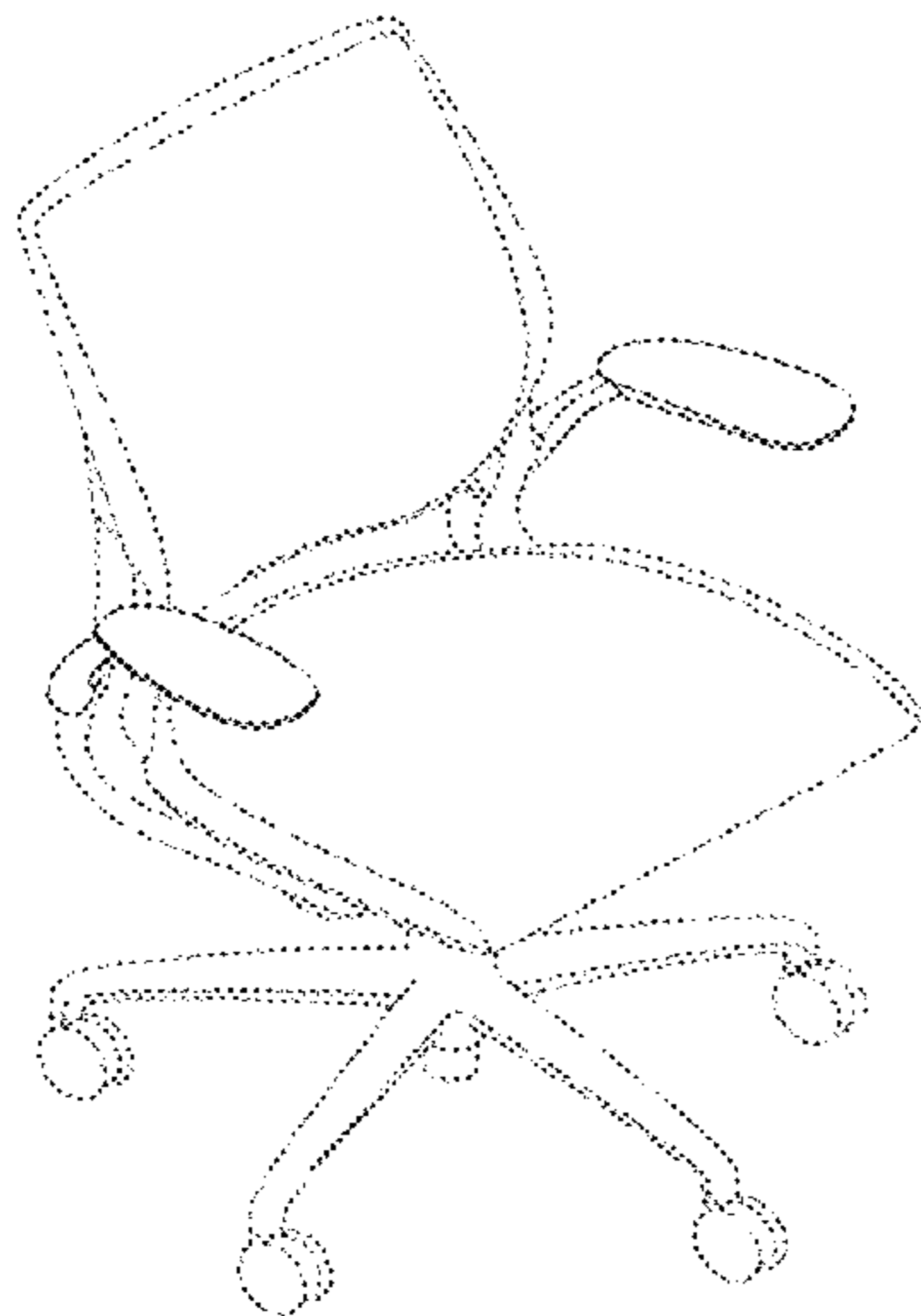
(56) **References Cited**

U.S. PATENT DOCUMENTS

2,126,439 A 8/1938 Zerbee
2,324,902 A 8/1938 Benzick et al.
2,456,797 A 12/1948 Sheldrick
2,473,895 A 6/1949 Mednick
2,497,395 A 2/1950 Cramer, Sr.
2,778,408 A 1/1957 Krikorian
2,838,095 A 6/1958 Deaton
2,859,799 A 11/1958 Moore
2,859,801 A 11/1958 Moore

FIG. 1 is a front perspective view of a pair of armrests for a chair or the like embodying the present invention; FIG. 2 is a front view of the pair of armrests of FIG. 1; FIG. 3 is a rear view of the pair of armrests of FIG. 1; FIG. 4 is a left side view of the pair of armrests of FIG. 1; FIG. 5 is a right side view of the pair of armrests of FIG. 1; FIG. 6 is a top view of the pair of armrests of FIG. 1; and, FIG. 7 is a bottom view of the pair of armrests of FIG. 1. The broken lines shown herein are for illustrative purposes only and form no part of the claimed design.

1 Claim, 7 Drawing Sheets



U.S. PATENT DOCUMENTS

3,489,458	A	1/1970	Karlsen	
3,904,242	A	9/1975	Koepke et al.	
3,947,069	A	3/1976	Lusch	
4,270,798	A	6/1981	Harder, Jr.	
4,408,800	A	10/1983	Knapp	
4,429,917	A	2/1984	Diffrient	
4,451,085	A	5/1984	Franck et al.	
D274,675	S	7/1984	Diffrient	
4,555,139	A	11/1985	Leib	
4,709,963	A	12/1987	Uecker et al.	
4,732,424	A	3/1988	Uredat-Neuhoff	
4,744,603	A	5/1988	Knoblock	
4,877,291	A	10/1989	Taylor	
4,997,234	A	3/1991	Royle et al.	
5,018,791	A	5/1991	Zapf	
5,314,237	A	5/1994	Koepke et al.	
5,366,274	A	11/1994	Roericht et al.	
5,577,807	A	11/1996	Hodge et al.	
5,725,276	A	3/1998	Ginat	
5,725,277	A	3/1998	Knoblock	
5,806,930	A	9/1998	Knoblock	
6,012,774	A	1/2000	Potter	
6,035,901	A	3/2000	Stumpf et al.	
6,059,368	A	5/2000	Stumpf et al.	
6,086,153	A	7/2000	Heidmann et al.	
6,113,186	A	9/2000	Holmes et al.	
6,125,521	A	10/2000	Stumpf et al.	
6,296,312	B1	10/2001	Congleton et al.	
6,311,939	B1	11/2001	Christensen	
D456,627	S *	5/2002	Pearce et al.	D6/366
D457,739	S	5/2002	Pearce et al.	
6,386,634	B1	5/2002	Stumpf et al.	
6,386,636	B2	5/2002	Caruso et al.	
6,394,549	B1	5/2002	DeKraker et al.	
6,460,932	B1	10/2002	Kopish et al.	
6,550,866	B1	4/2003	Su	
6,568,760	B2	5/2003	Davis et al.	
6,588,842	B2	7/2003	Stumpf et al.	
6,634,717	B2	10/2003	Kown	
6,669,143	B1	12/2003	Johnson	
6,679,553	B2 *	1/2004	Batley et al.	297/300.4
6,685,267	B1	2/2004	Johnson et al.	
6,688,698	B1	2/2004	Chou et al.	
6,702,390	B2	3/2004	Stumpf et al.	
6,709,058	B1	3/2004	Diffrient	
6,722,741	B2	4/2004	Stumpf et al.	
6,726,286	B2	4/2004	Stumpf et al.	
6,729,691	B2	5/2004	Koepke et al.	
6,733,080	B2	5/2004	Stumpf et al.	
6,802,568	B1	10/2004	Johnson	
6,817,668	B2	11/2004	DeKraker et al.	
6,837,545	B1	1/2005	Ho	
D507,909	S *	8/2005	Grove	D6/501
6,923,505	B2	8/2005	Siminovitch et al.	
6,942,300	B2	9/2005	Numa et al.	
6,945,602	B2	9/2005	Fookes et al.	
6,959,965	B2	11/2005	Diffrient	
6,983,997	B2	1/2006	Wilkerson et al.	
7,014,269	B2	3/2006	Coffield et al.	
7,234,777	B2	6/2007	Schweikarth et al.	
D575,960	S *	9/2008	Su	D6/366
7,425,037	B2	9/2008	Schmitz et al.	
D587,915	S *	3/2009	Igarashi	D6/366

7,500,718	B2 *	3/2009	Fookes	297/303.3
7,770,979	B2	8/2010	He	
7,828,390	B2	11/2010	Liu et al.	
8,061,775	B2	11/2011	Diffrient	
2001/0028188	A1	10/2001	Stumpf et al.	
2001/0030457	A1	10/2001	Gregory	
2003/0001420	A1	1/2003	Koepke et al.	
2003/0214171	A1	11/2003	Burwell	
2004/0090104	A1	5/2004	Seibold	
2004/0189073	A1	9/2004	Chadwick et al.	
2005/0258678	A1	11/2005	Wilkerson et al.	
2006/0103221	A1	5/2006	Kleist	
2006/0103222	A1	5/2006	Caruso	
2007/0001497	A1	1/2007	Diffrient	
2009/0152930	A1	6/2009	Diffrient	

FOREIGN PATENT DOCUMENTS

DE	10051840	5/2002
GB	577369	5/1946
GB	1291263	10/1972
GB	1428185	3/1976
JP	5764014	4/1982
JP	61247418	A 11/1986
JP	08336435	A 12/1996
JP	2001008785	1/2001
RU	2004123795	5/2005
WO	0193907	12/2001
WO	2004037046	5/2004
WO	2005112704	12/2005
WO	2005112704	A2 12/2005
WO	2005112704	A3 12/2005
WO	2008020824	2/2008

OTHER PUBLICATIONS

PCT/US2005/016550—Mesh Chair Component—EPO as International Searching Authority—International Preliminary Examination Report dated Sep. 21, 2006.
 EPO Application No. 05747961.0—Mesh Chair Component—Examiner’s Action dated Apr. 26, 2007.
 EPO Application No. 05747961.0—Mesh Chair Component—Examiner’s Action dated Oct. 5, 2007.
 EPO Application No. 05747961.0—Mesh Chair Component—Examiner’s Action dated May 5, 2008.
 CA Application No. 2566429—Mesh Chair Component—Examiners Action dated Apr. 29, 2008.
 U.S. Appl. No. 07/898,907—Office Chair; filed on Jun. 15, 1992.
 PCT/US2006/023834; Seating Apparatus with Reclining Movement; Humanscale Corporation, Written Opinion issued on Jun. 30, 2008.
 EP Application No. 08005519; Seating Apparatus with Reclining Movement, Humanscale Corporation, Search Report issued on Sep. 26, 2008.
 Notification of Transmittal of International Preliminary Report on Patentability; PCT Application No. PCT/US2006/02834; filed Aug. 15, 2006 by the International Preliminary Examining Authority, U.S. The Knoll Product Manual; pp. 110-119.
 PCT/US2005/016550—Mesh Chair Component—EPO as International Searching Authority—Written Opinion dated Mar. 28, 2006.
 PCT/US2006/023834—Seating Apparatus—EPO as International Searching Authority—Written Opinion dated Feb. 15, 2009.
 PCT/US2009/60680—Notification of Transmittal of International Preliminary Report on Patentability dated Jan. 11, 2012.

* cited by examiner

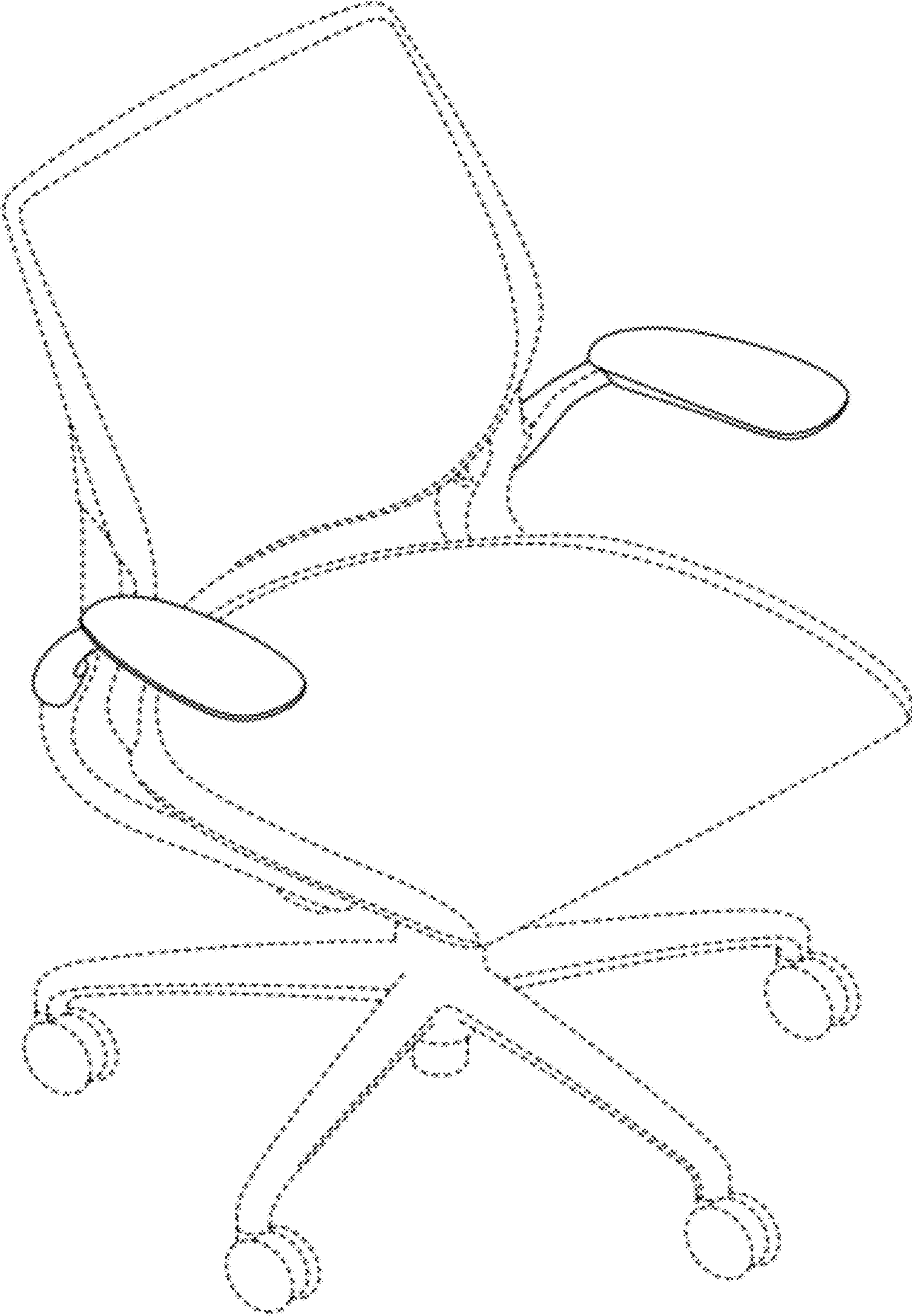


FIG. 1

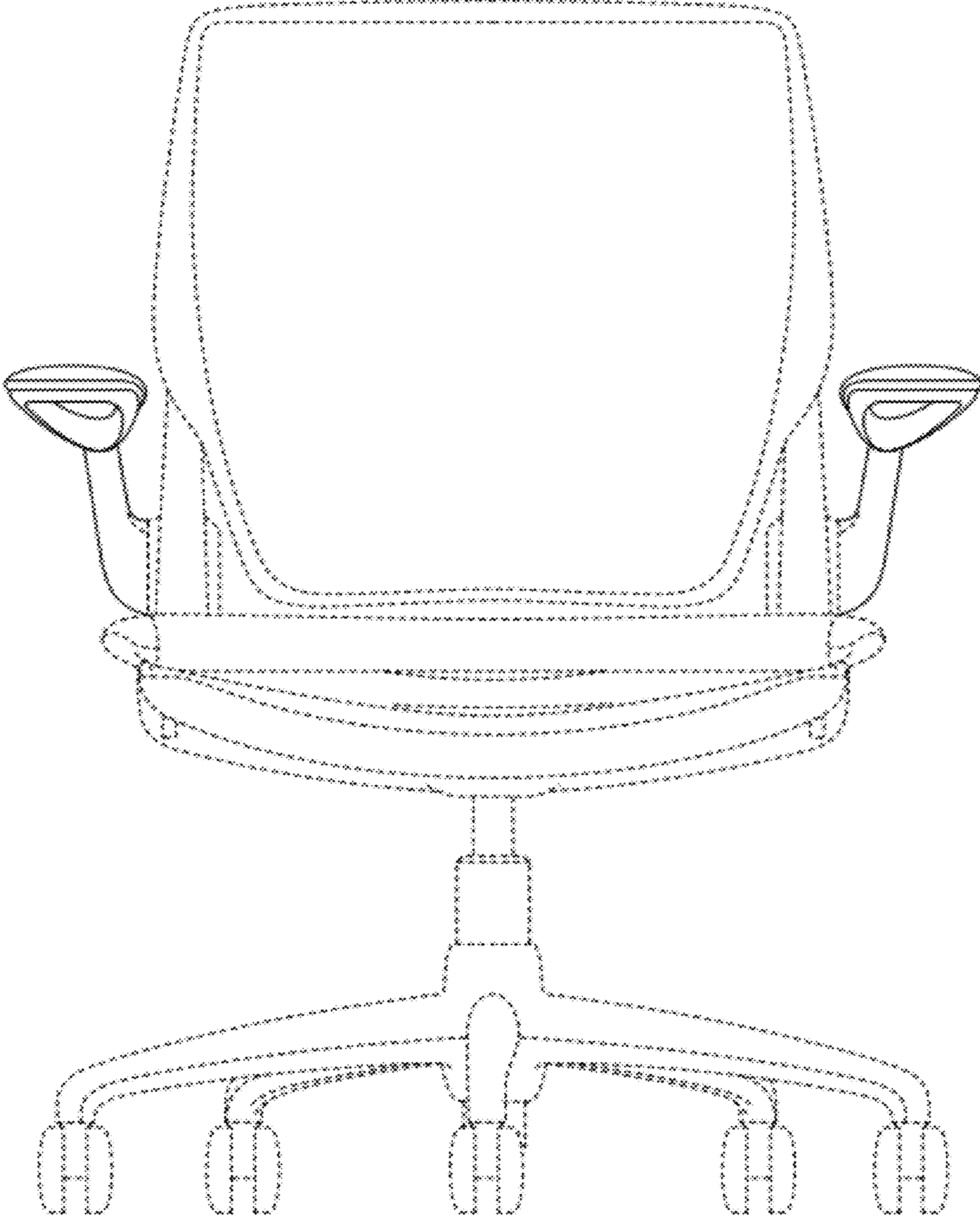


FIG. 2

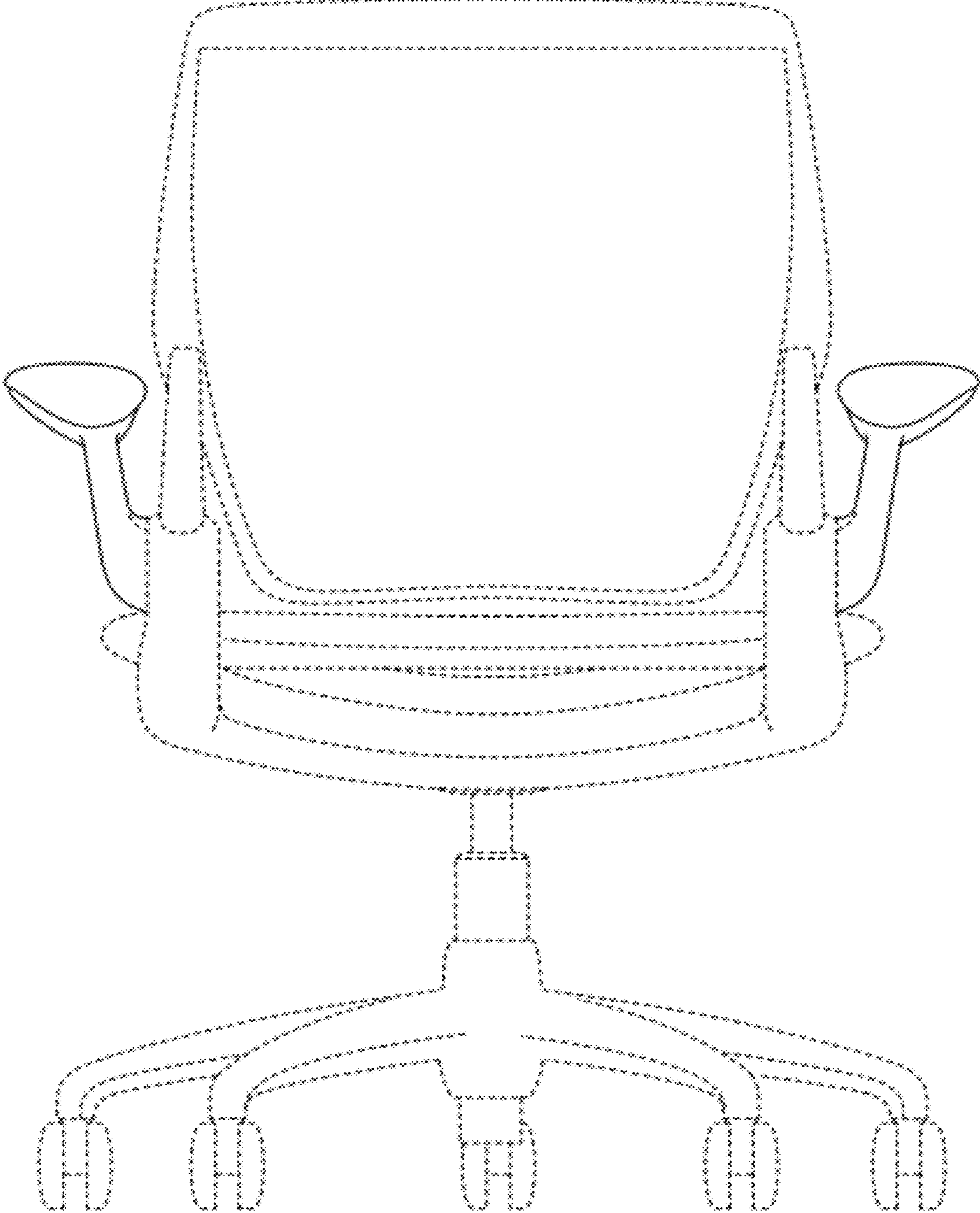


FIG. 3

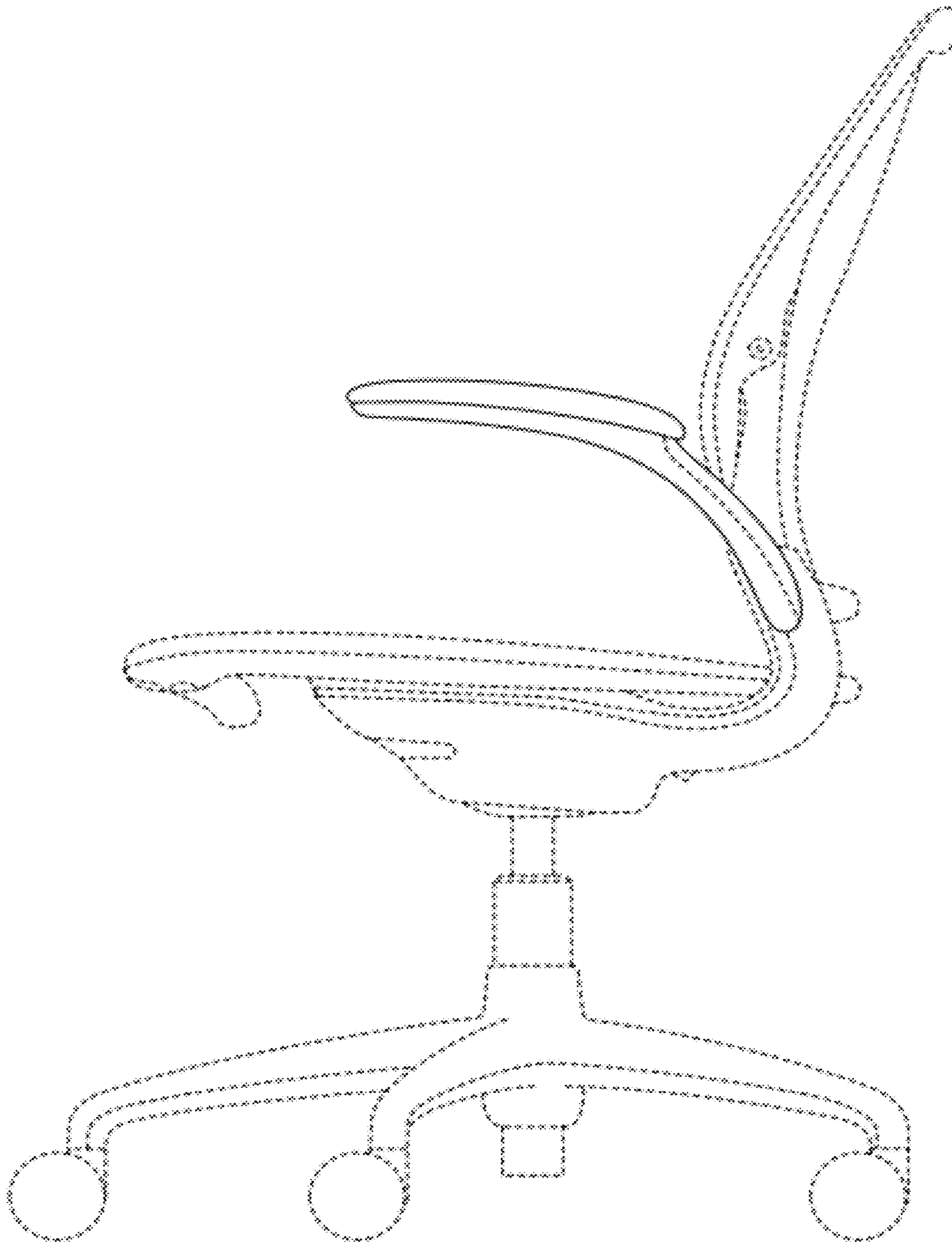


FIG. 4

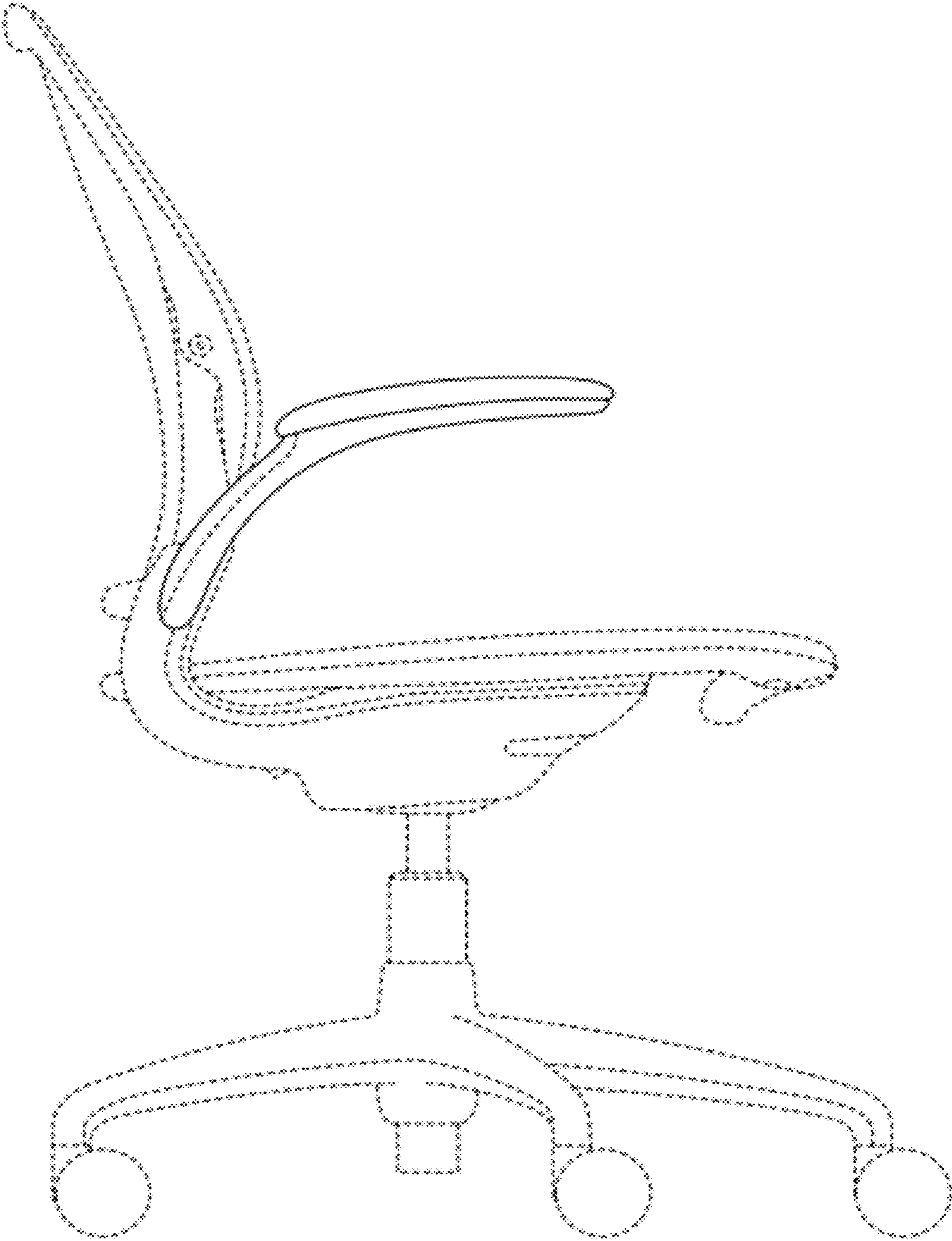


FIG. 5

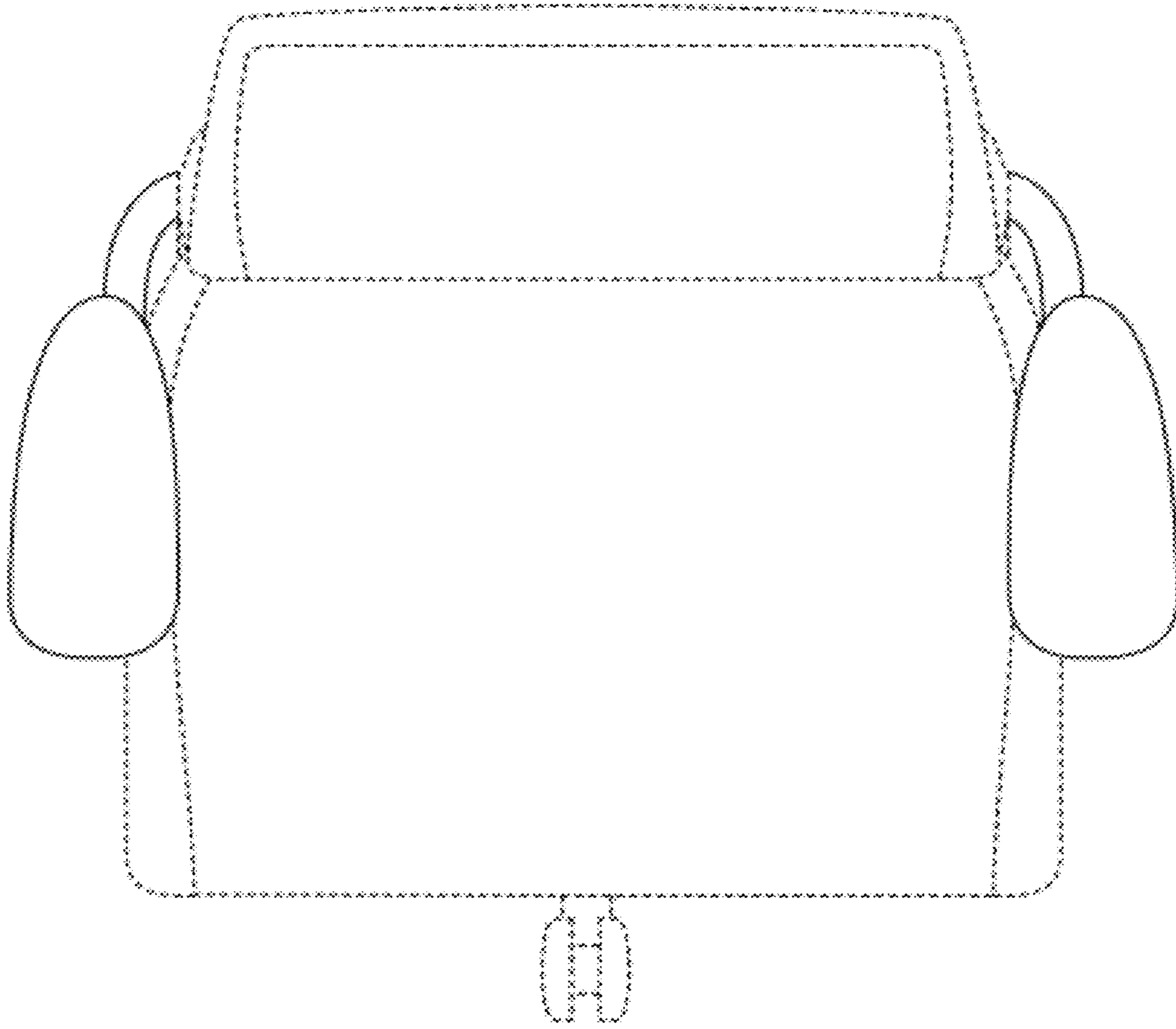


FIG. 6

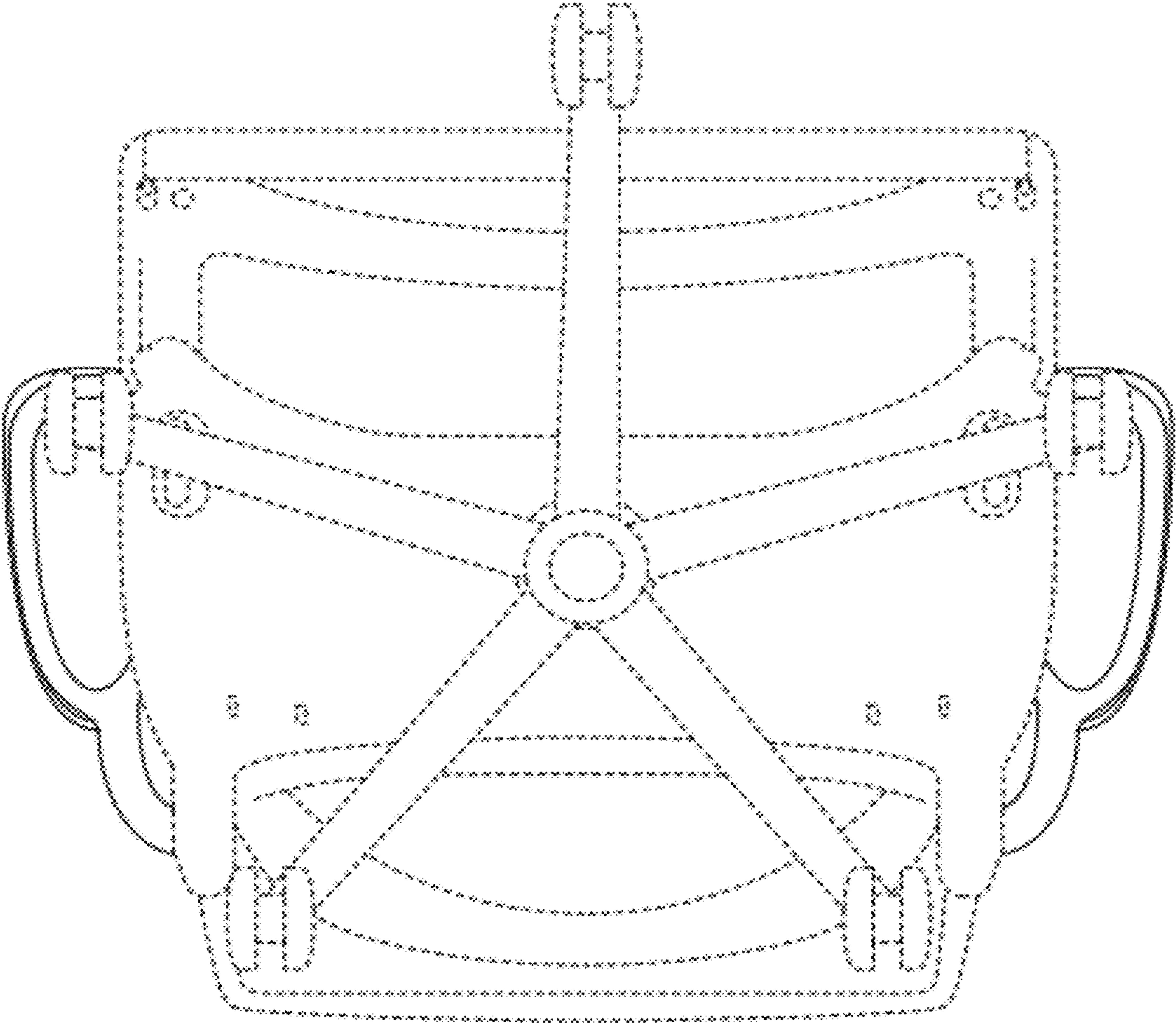


FIG. 7