



US00D661133S

(12) **United States Design Patent**  
**Ping et al.**

(10) **Patent No.:** **US D661,133 S**  
(45) **Date of Patent:** **\*\* Jun. 5, 2012**

- (54) **CHAIR BACKREST AND SEAT**
- (75) Inventors: **Li Ping**, Zhejiang Province (CN); **Chris Ross**, Pontotoc, MS (US); **Chris Burgett**, Saltillo, MS (US)
- (73) Assignee: **Ashley Furniture Industries, Inc.**, Arcadia, WI (US)
- (\*\*) Term: **14 Years**
- (21) Appl. No.: **29/378,928**
- (22) Filed: **Nov. 11, 2010**
- (51) **LOC (9) Cl.** ..... **06-01**
- (52) **U.S. Cl.** ..... **D6/500; D6/365**
- (58) **Field of Classification Search** ..... D6/334–336, D6/344, 364, 365, 366, 367, 368, 500–502; 297/317, 344.21, 451.4, 451.5, 452.16, 452.26, 297/452.27, 452.35, 452.36, 452.37, 411.46  
See application file for complete search history.

- D403,169 S 12/1998 Tseng
- D405,282 S 2/1999 Desnoyers et al.
- D408,164 S 4/1999 Popham
- D411,053 S 6/1999 Lewis
- D411,687 S 6/1999 Lewis
- D414,347 S 9/1999 Lewis
- D414,630 S 10/1999 Buscio et al.

(Continued)

**OTHER PUBLICATIONS**

Application and File History for U.S. Appl. No. 29/378,926, filed Nov. 11, 2010, inventors Ping et al.

(Continued)

*Primary Examiner* — Mimoso De

(74) *Attorney, Agent, or Firm* — Patterson Thunte Christensen Pedersen, P.A.

(57) **CLAIM**

We claim the ornamental design for chair backrest and seat, as shown and described.

**DESCRIPTION**

FIG. 1 is a front perspective view of a chair backrest and seat of the invention. The view from the opposite side being a mirror image thereof.

FIG. 2 is a side view of a chair backrest and seat of the invention. The view from the opposite side being an identical mirror image thereof.

FIG. 3 is a front elevational view of a chair backrest and seat of the invention.

FIG. 4 is a rear elevational view of a chair backrest and seat of the invention; and,

FIG. 5 is a top plan view of a chair backrest and seat of the invention.

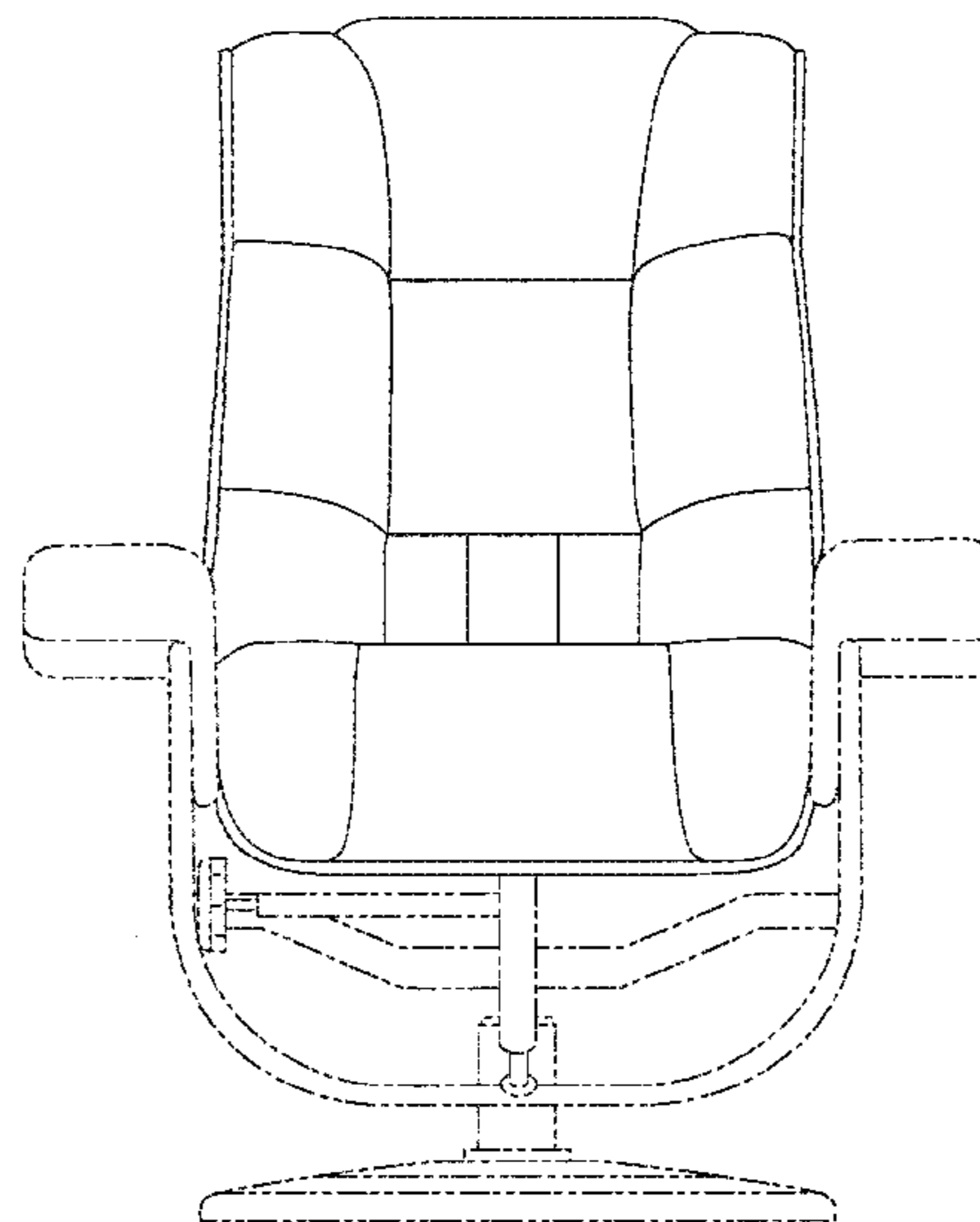
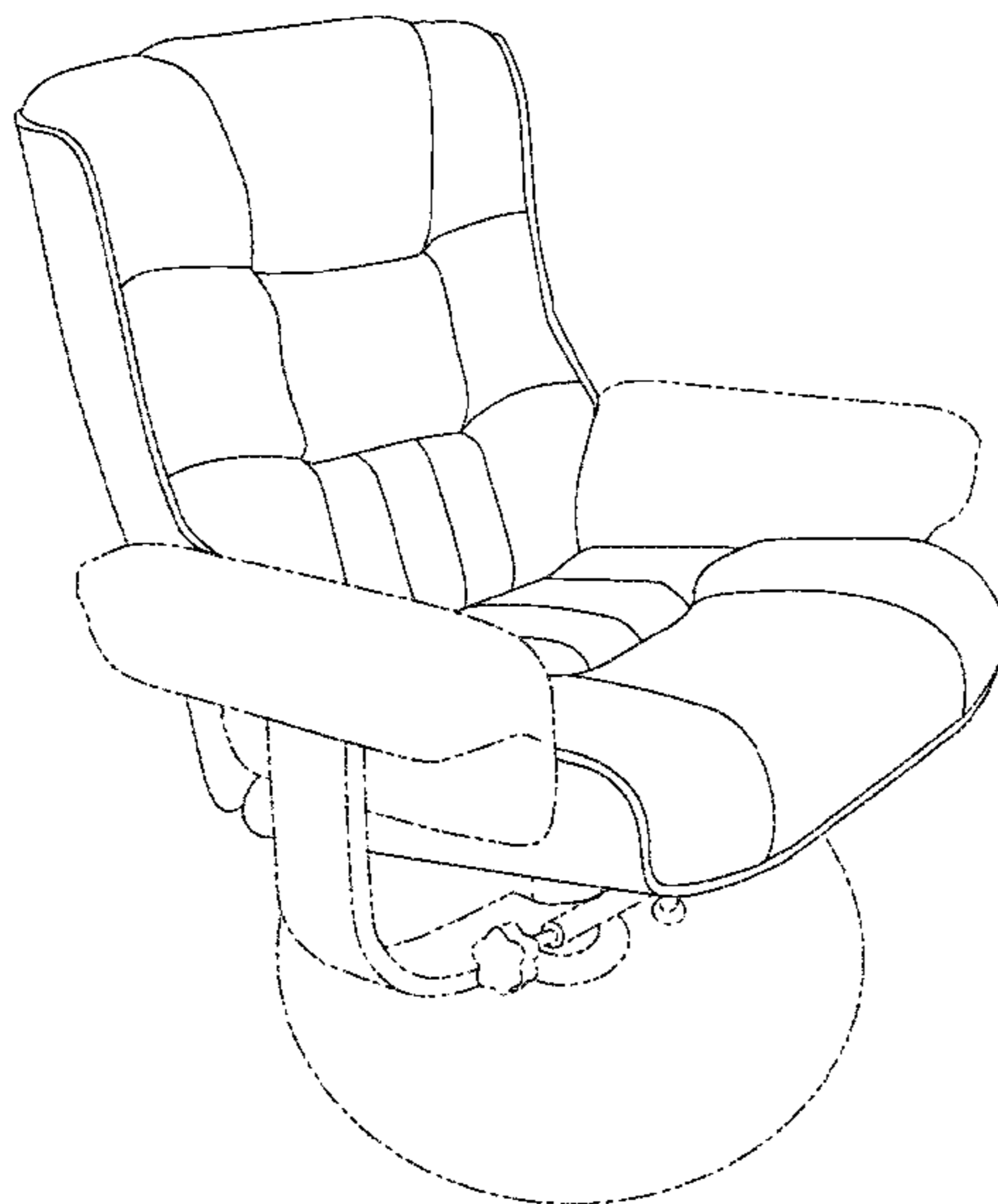
The portions of the figures shown in dashed lines are for illustrative purposes only and form no part of the claimed invention.

**1 Claim, 5 Drawing Sheets**

(56) **References Cited**

**U.S. PATENT DOCUMENTS**

- D280,786 S 10/1985 Platner
- D282,221 S 1/1986 Platner
- D286,105 S 10/1986 Goldman
- D291,265 S \* 8/1987 Heggdal et al. .... D6/367
- 4,768,829 A 9/1988 Goldman
- D304,393 S 11/1989 Lange, Jr.
- D316,936 S 5/1991 Ekornes et al.
- D334,673 S 4/1993 Robison
- D335,582 S 5/1993 Desnoyers
- D335,967 S 6/1993 Robison
- D351,509 S 10/1994 Goldberg
- D352,610 S 11/1994 Natuzzi
- D364,283 S 11/1995 Zaidman
- D376,265 S 12/1996 Lewis
- D380,093 S 6/1997 Lewis
- D381,819 S 8/1997 Lewis
- D388,982 S 1/1998 Desnoyers
- D395,963 S 7/1998 Lewis



# US D661,133 S

## U.S. PATENT DOCUMENTS

D414,631 S	10/1999	Zaidman	
D414,965 S	10/1999	Zaidman	
D415,372 S	10/1999	Zaidman	
D415,373 S	10/1999	Zaidman	
D415,638 S	10/1999	Zaidman	
D417,982 S	12/1999	Zaidman	
D420,820 S	2/2000	Lewis	
D430,739 S	9/2000	Palumbo	
D430,742 S	9/2000	Lewis	
D430,974 S	9/2000	Yang	
D432,320 S	10/2000	Lewis	
D436,745 S	1/2001	Lewis	
D436,746 S	1/2001	Lewis	
D437,126 S	2/2001	Denton	
D437,130 S	* 2/2001	Tseng	D6/366
D437,131 S	2/2001	Tseng	
D441,993 S	5/2001	Lin	
D446,410 S	8/2001	Chen	
D447,880 S	9/2001	Lewis	
D451,314 S	12/2001	Tseng	
D451,316 S	12/2001	Tseng	
D451,716 S	12/2001	Tseng	
D454,014 S	3/2002	Su	
D454,704 S	3/2002	Lewis	
D459,095 S	6/2002	Lewis	
D459,599 S	7/2002	Zaidman	
D460,885 S	7/2002	Silva	
D463,172 S	9/2002	Tsai	
D463,692 S	10/2002	Chi	
D467,442 S	12/2002	Zaidman	
D467,746 S	12/2002	Zaidman	
D467,747 S	12/2002	Zaidman	
D468,119 S	1/2003	Zaidman	
D468,120 S	1/2003	Zaidman	
D468,123 S	1/2003	Zaidman	
D471,728 S	3/2003	Tseng	
D474,901 S	5/2003	Lewis	
D474,902 S	5/2003	Lewis	
D476,491 S	7/2003	Lewis	
D476,492 S	7/2003	Yamamoto	
D487,987 S	4/2004	Wu	
D490,617 S	6/2004	Lowman	
D491,398 S	6/2004	True	
D492,494 S	7/2004	Tai	
D494,390 S	8/2004	True	
D494,391 S	* 8/2004	True	D6/500
D494,788 S	8/2004	True	
D494,790 S	8/2004	True	
D495,168 S	8/2004	True	
D495,169 S	8/2004	True	
D495,170 S	8/2004	True	
D495,907 S	9/2004	True	
D503,547 S	4/2005	Lowman	
D504,040 S	4/2005	True	
D505,799 S	6/2005	Huang	
D508,351 S	8/2005	True	
D508,352 S	* 8/2005	True	D6/500
D508,790 S	8/2005	Natuzzi	
D509,074 S	9/2005	Westendorf	
D510,215 S	10/2005	True	
D511,260 S	11/2005	True	
D518,319 S	4/2006	True	
D530,935 S	10/2006	Huang	
D531,421 S	11/2006	Egger	
D531,422 S	11/2006	Huang	
D531,433 S	11/2006	Johnson	
D531,434 S	11/2006	True	
D532,223 S	11/2006	True	
D532,225 S	11/2006	Egger	
D532,227 S	11/2006	Smith	
D532,628 S	* 11/2006	Egger	D6/500
D532,629 S	11/2006	True	
D532,631 S	11/2006	Egger	
D532,632 S	11/2006	Egger	
D532,633 S	11/2006	Smith	
D533,376 S	12/2006	Vong	
D533,377 S	12/2006	Egger	
D534,020 S	12/2006	Smith	
D534,747 S	1/2007	True	
D535,127 S	1/2007	Egger	
D535,128 S	1/2007	Egger	
D535,499 S	1/2007	True	
D535,501 S	1/2007	Egger	
D535,502 S	1/2007	Egger	
D535,503 S	1/2007	Smith	
D535,839 S	1/2007	Johnson	
D536,200 S	2/2007	Vong	
D536,554 S	2/2007	True	
D536,555 S	2/2007	Egger	
D537,278 S	2/2007	Egger	
D537,279 S	2/2007	Smith	
D537,660 S	3/2007	True	
D537,661 S	3/2007	McDiarmid	
D537,662 S	3/2007	McDiarmid	
D537,663 S	3/2007	Johnson	
D538,071 S	3/2007	Egger	
D538,072 S	3/2007	McDiarmid	
D538,073 S	3/2007	McDiarmid	
D538,558 S	3/2007	Egger	
D539,044 S	3/2007	Solheim	
D540,573 S	4/2007	Smith	
D542,574 S	5/2007	Johnson	
D543,399 S	5/2007	Johnson	
D543,716 S	* 6/2007	Votteler et al.	D6/366
D547,558 S	7/2007	Egger	
D555,376 S	11/2007	Lade	
D557,530 S	12/2007	Egger	
D557,531 S	12/2007	Johnson	
D557,947 S	12/2007	Egger	
D558,468 S	1/2008	Lade	
D558,469 S	1/2008	Lade	
D561,502 S	2/2008	Egger	
D561,504 S	2/2008	Smith	
D566,435 S	4/2008	Grove	
D566,437 S	4/2008	Egger	
D569,116 S	5/2008	Tsai	
D572,050 S	7/2008	Tamara	
D575,069 S	8/2008	Potter	
D583,597 S	12/2008	Egger	
D584,082 S	1/2009	Nguyen	
D585,221 S	1/2009	Egger	
D593,343 S	6/2009	True	
D593,344 S	6/2009	True	
D596,428 S	7/2009	True	
D596,429 S	7/2009	Egger	
D597,350 S	8/2009	Tamara	
D597,772 S	8/2009	True	
D598,682 S	8/2009	Egger	
D601,359 S	10/2009	Wold	
D601,828 S	10/2009	Wold	
D606,781 S	12/2009	Hernandez	
D614,894 S	5/2010	Queally	
D614,895 S	5/2010	Queally	

## OTHER PUBLICATIONS

Application and File History for U.S. Appl. No. 29/378,929, filed Nov. 11, 2010, inventors Ping et al.

Application and File History for U.S. Appl. No. 29/376,856, filed Oct. 13, 2010, inventors Ping et al.

Application and File History for U.S. Appl. No. 29/376,857, filed Oct. 13, 2010, inventors Ping et al.

Application and File History for U.S. Appl. No. 29/378,935, filed Nov. 11, 2010, inventors Ping et al.

Application and File History for U.S. Appl. No. 29/376,861, filed Oct. 13, 2010, inventors Ping et al.

Photo of "9587" Chair, (Nov. 17, 2010). 1 page.

Photo of Lane Furniture "Angelo" Chair, (prior to Jan. 29, 2010). 1 page.

Photo of Lane Furniture "Boca" Chair, (prior to Jan. 29, 2010). 1 page.

Photo of Lane Furniture "Andre" Chair, (prior to Jan. 29, 2010). 1 page.

Photo of Lane Furniture "Impulse" Chair, (prior to Jan. 29, 2010). 1 page.

# US D661,133 S

Page 3

---

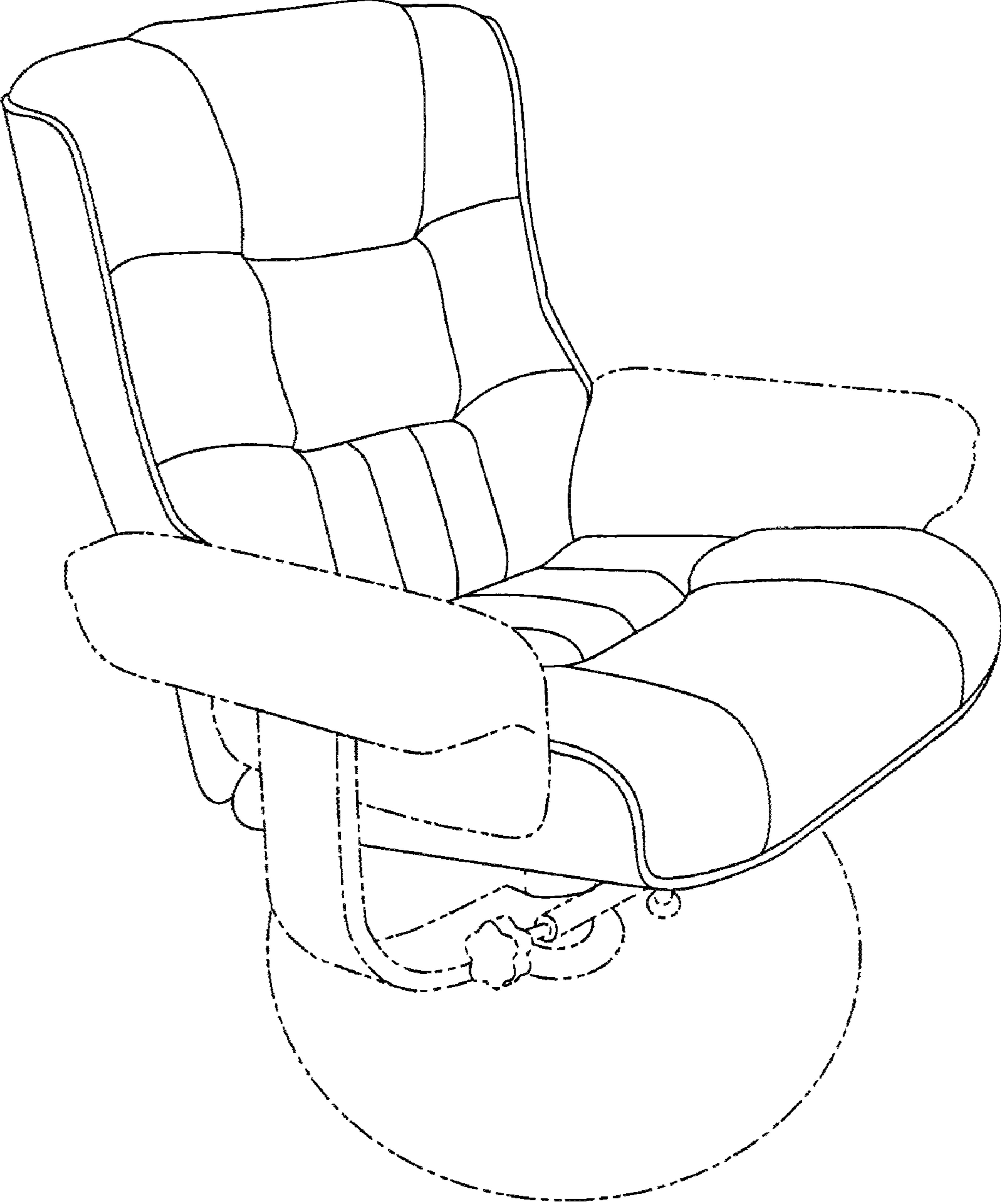
Application and File History for U.S. Appl. No. 29/398,282, filed Jul. 28, 2011, inventors Ping et al.

Application and File History for U.S. Appl. No. 29/398,283, filed Jul. 28, 2011, inventors Ping et al.

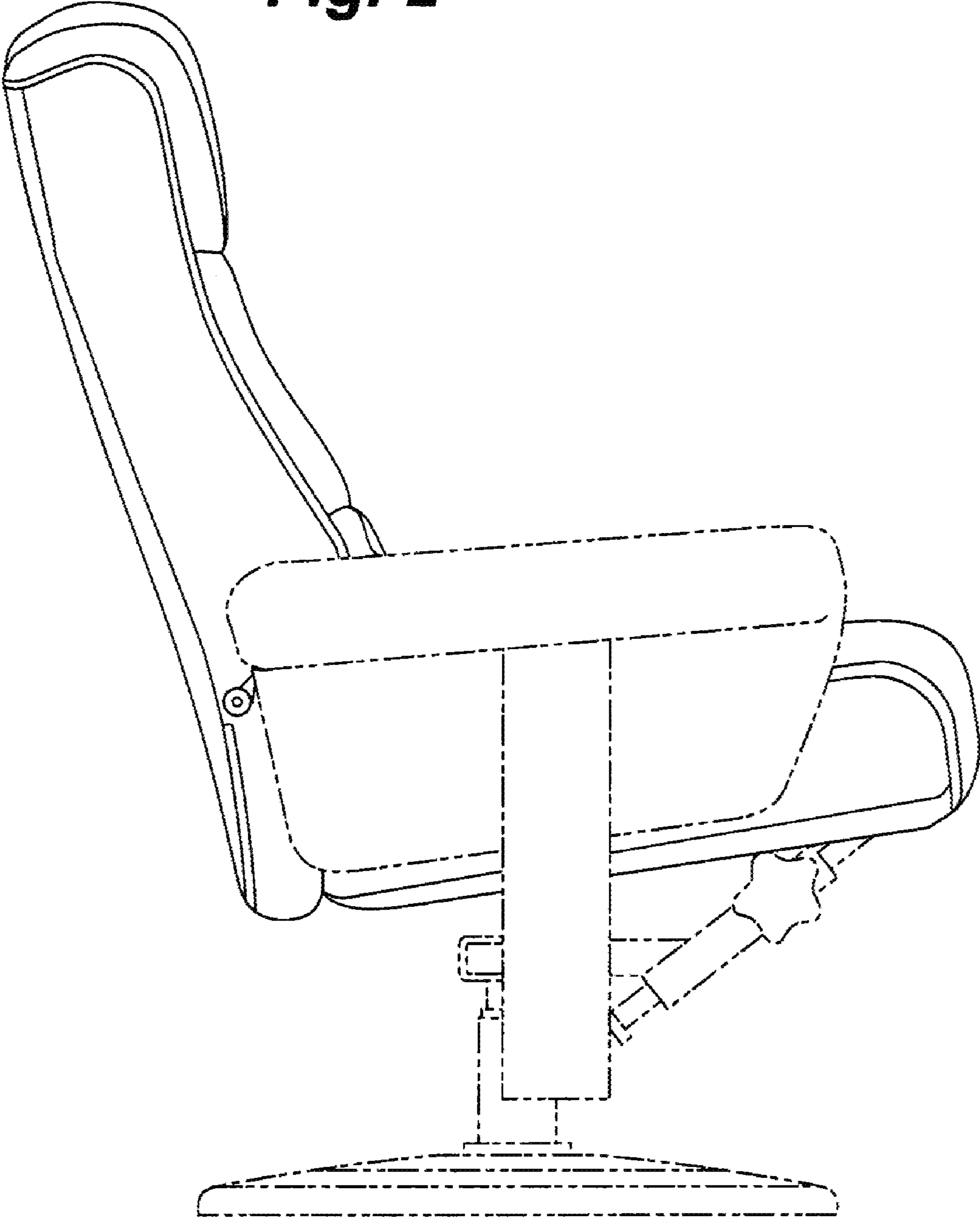
Application and File History for U.S. Appl. No. 29/398,284, filed Jul. 28, 2011, inventors Ping et al.

\* cited by examiner

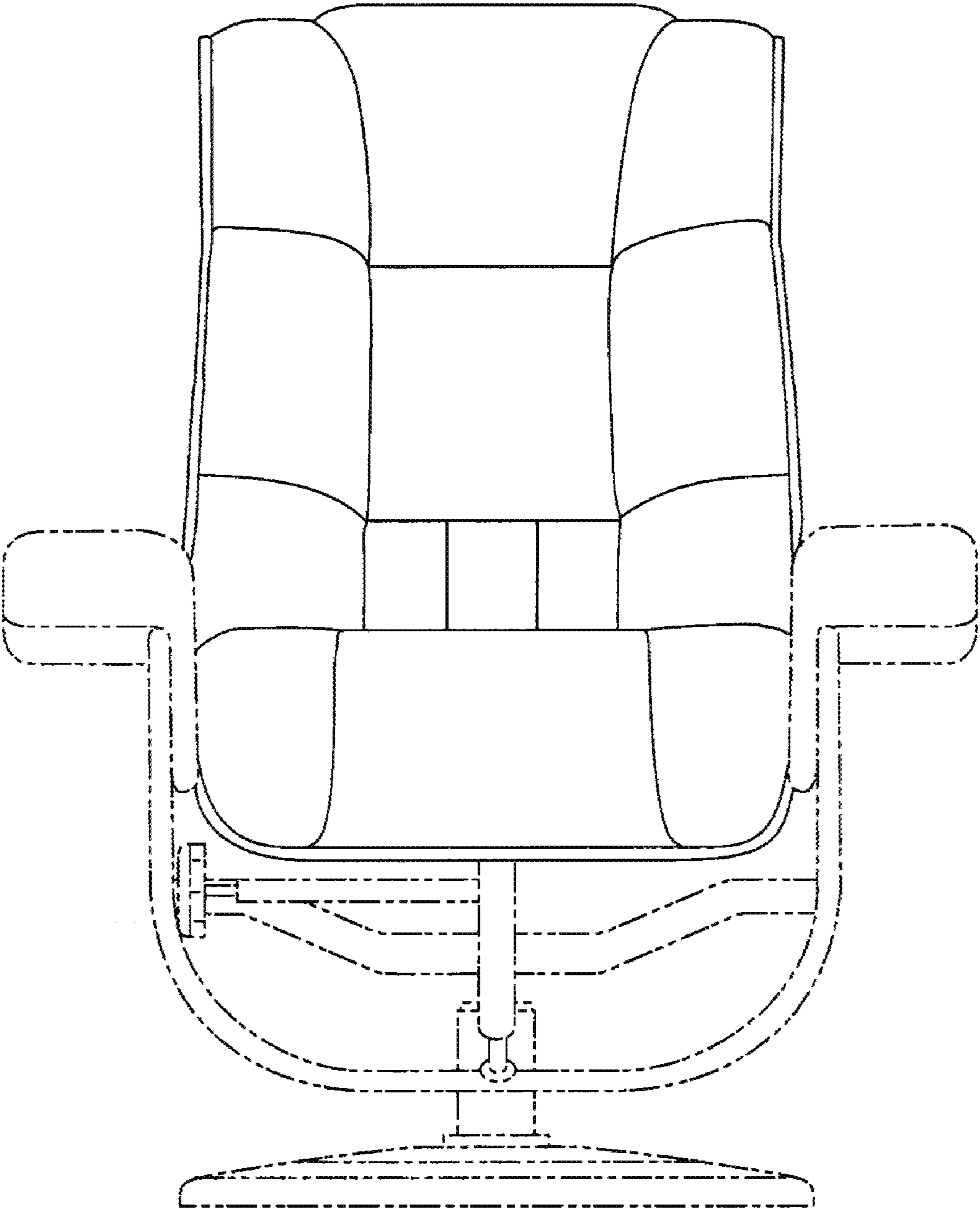
**Fig. 1**



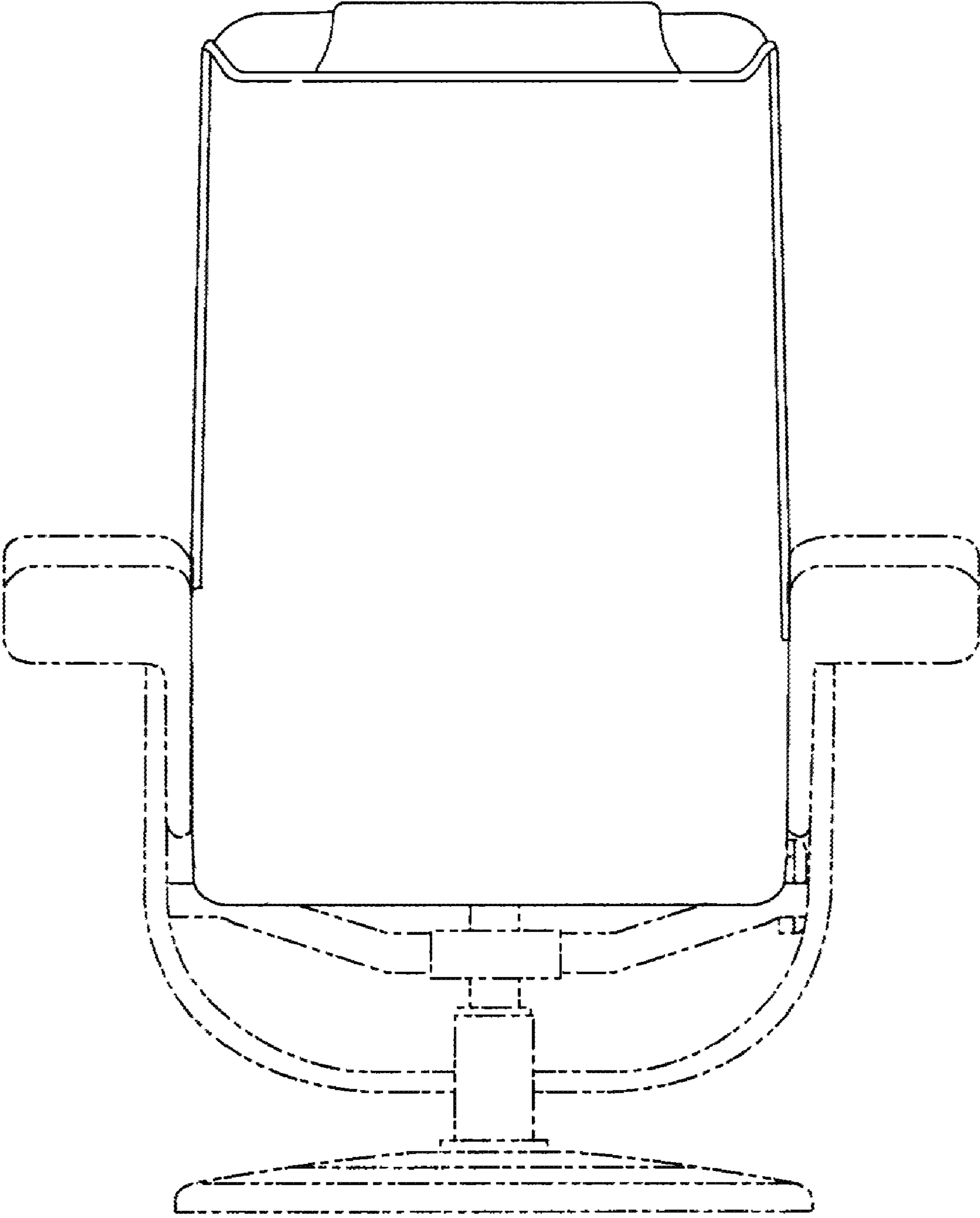
**Fig. 2**



**Fig. 3**



**Fig. 4**



**Fig. 5**

