

US00D661131S

(12) **United States Design Patent**
Osborne

(10) **Patent No.:** **US D661,131 S**

(45) **Date of Patent:** **** Jun. 5, 2012**

(54) **ISLAND LEG**

(76) Inventor: **Leon A. Osborne**, Toccoa, GA (US)

(**) Term: **14 Years**

(21) Appl. No.: **29/404,789**

(22) Filed: **Oct. 25, 2011**

(51) **LOC (9) Cl.** **06-06**

(52) **U.S. Cl.** **D6/495**

(58) **Field of Classification Search** D6/480-489,
D6/495-499, 450, 451, 429-431, 477; 108/150,
108/153.1, 155, 156, 157.1, 161; 248/188,
248/188.1, 188.8; D25/126; 52/832
See application file for complete search history.

(56) **References Cited**

U.S. PATENT DOCUMENTS

D355,800 S *	2/1995	Ward	D6/484
D382,424 S *	8/1997	Lenger	D6/480
D385,733 S *	11/1997	Bass	D6/495
D442,390 S *	5/2001	Edwards	D6/429

D457,660 S *	5/2002	Erwin	D25/126
D518,188 S *	3/2006	Curtas	D25/126
D644,861 S	9/2011	Osborne		

* cited by examiner

Primary Examiner — Janice Seeger

(74) *Attorney, Agent, or Firm* — George R. Reardon

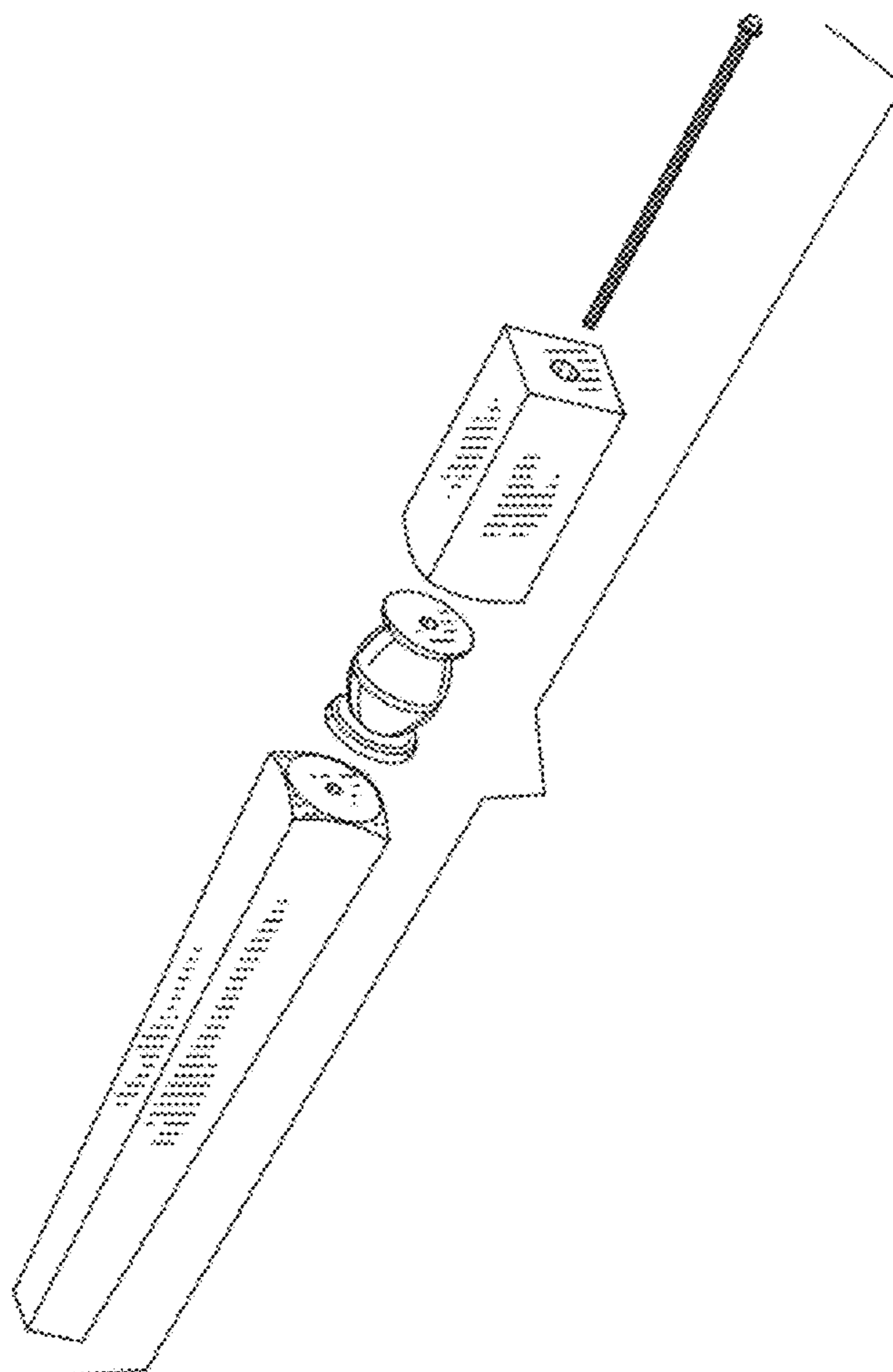
(57) **CLAIM**

The ornamental design for an island leg, as shown and described.

DESCRIPTION

FIG. 1 is a exploded view of an island leg, showing my new design;
FIG. 2 is a perspective view of an island leg;
FIG. 3 is a front plan view of an island leg, the rear and side views are identical;
FIG. 4 is a top plan view of an island leg;
FIG. 5 is a bottom plan view of an island leg; and,
FIG. 6 is a cross sectional view of FIG. 2.

1 Claim, 6 Drawing Sheets



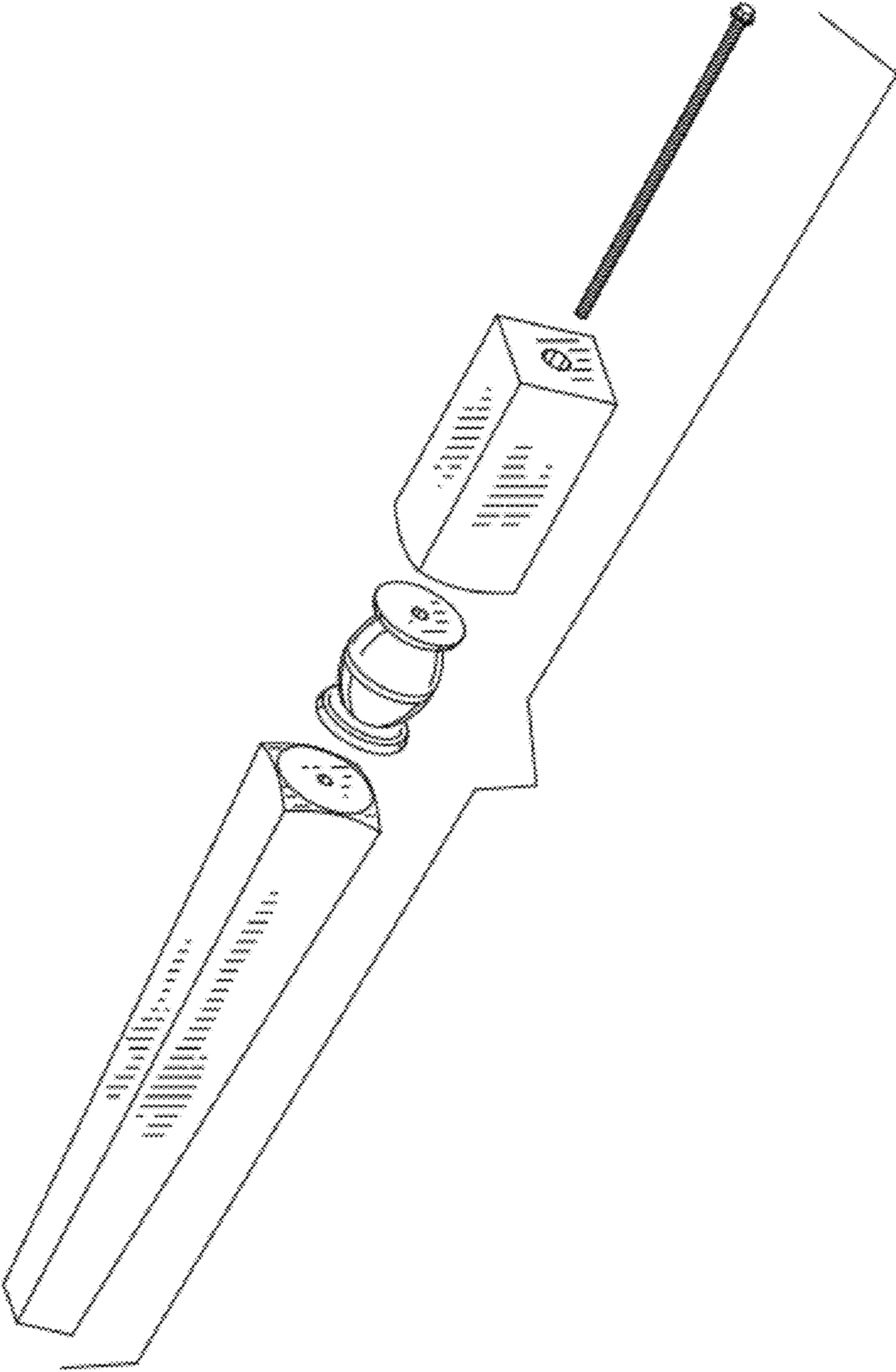


FIG. 1

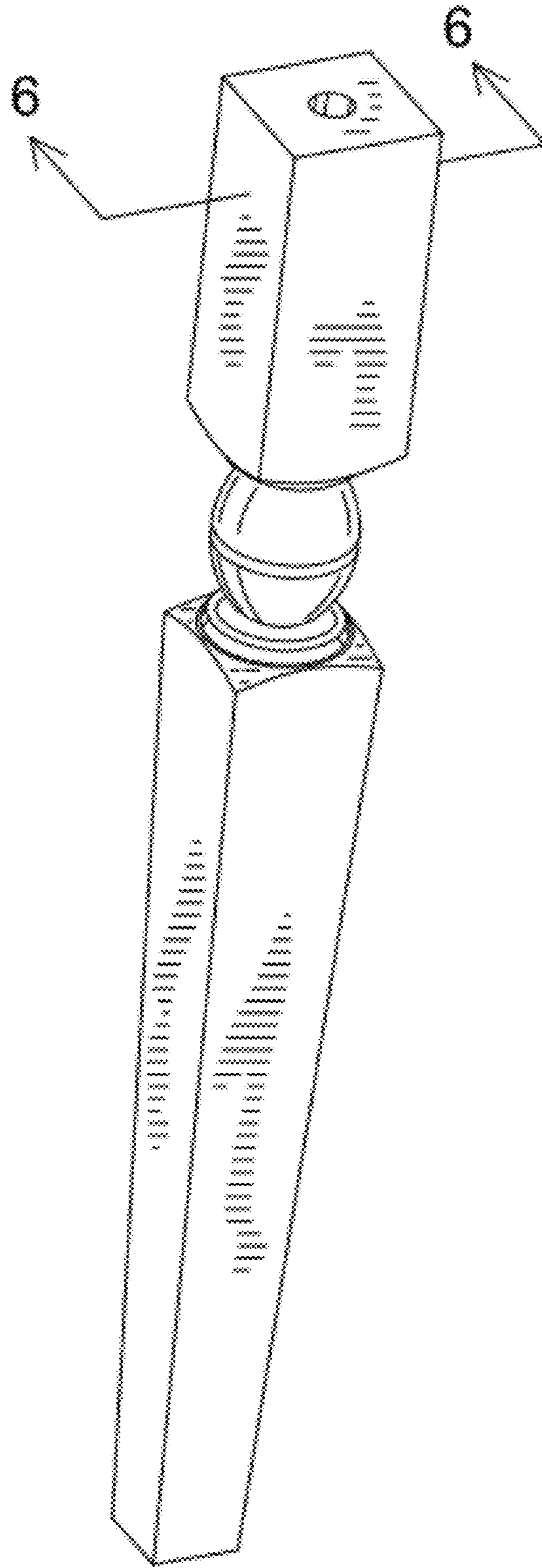


FIG. 2

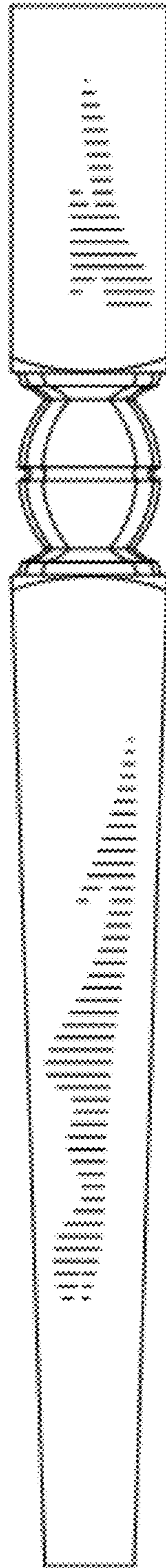


FIG. 3

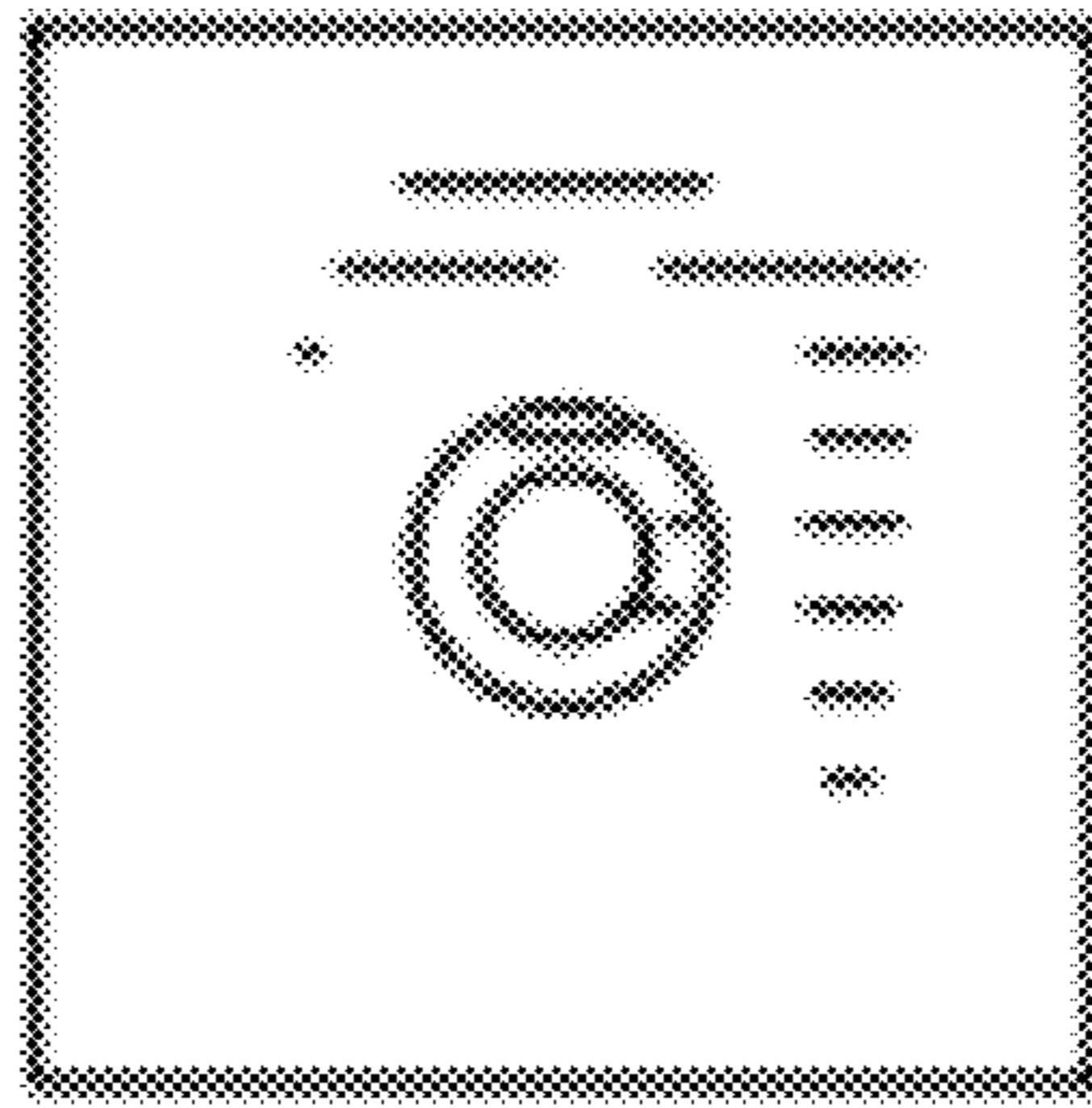


FIG. 4

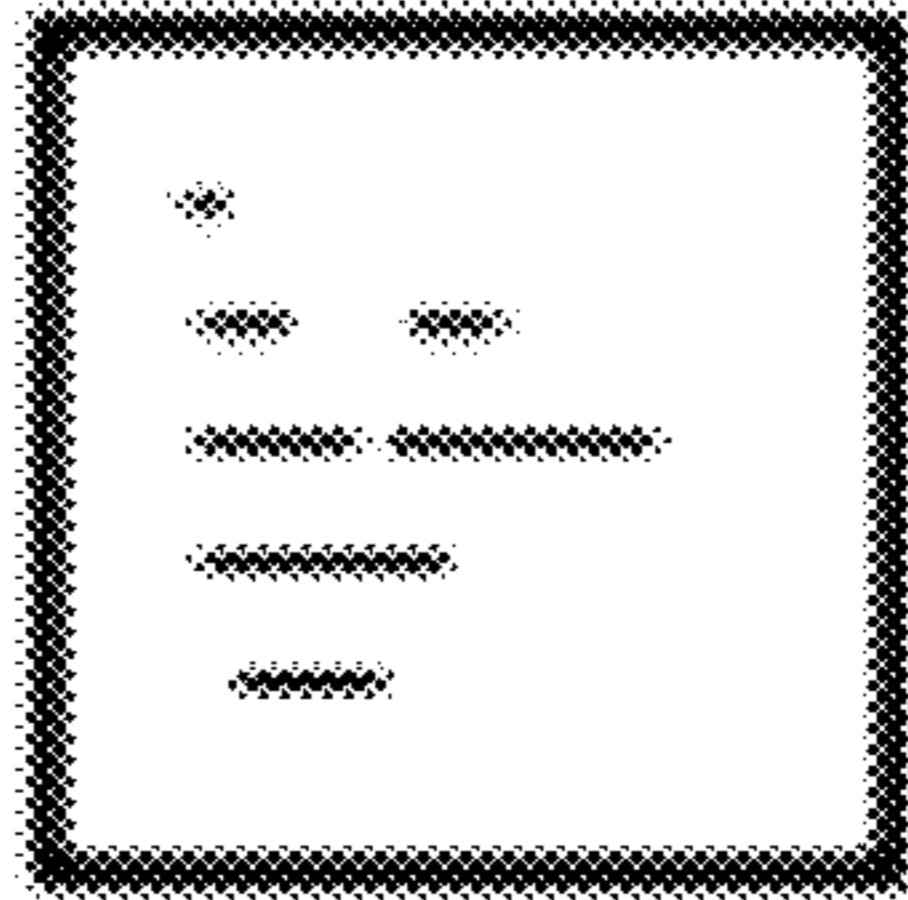


FIG. 5

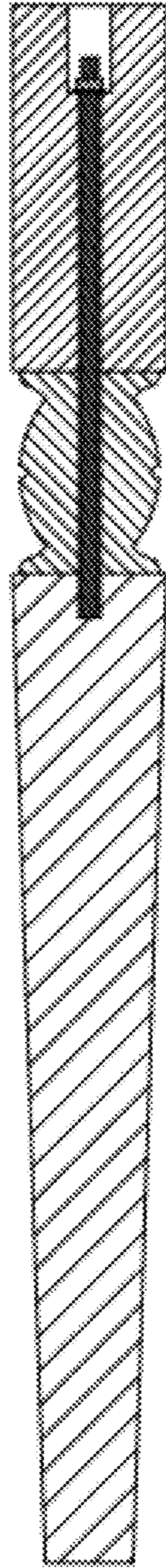


FIG. 6