

US00D661127S

(12) **United States Design Patent**
Arko et al.

(10) **Patent No.:** **US D661,127 S**
(45) **Date of Patent:** **** Jun. 5, 2012**

(54) **TABLE**
(75) Inventors: **Robert Peter Arko**, San Francisco, CA (US); **John Hamilton**, San Rafael, CA (US); **Matthew Hollingsworth**, San Francisco, CA (US)

(73) Assignee: **Steelcase Inc.**, Grand Rapids, MI (US)

(**) Term: **14 Years**

(21) Appl. No.: **29/390,354**

(22) Filed: **Apr. 22, 2011**

(51) **LOC (9) Cl.** **06-03**

(52) **U.S. Cl.** **D6/480**

(58) **Field of Classification Search** D6/480-489,
D6/495-499, 429, 511; 108/150, 153.1,
108/156, 157.1, 161; 248/188, 188.1, 188.7,
248/188.8

See application file for complete search history.

(56) **References Cited**

U.S. PATENT DOCUMENTS

D90,709 S	9/1933	Goodman	
D133,624 S	9/1942	Hollander	
D167,739 S	9/1952	Carr	
2,615,770 A	10/1952	Curtis	
3,062,571 A	11/1962	Goldman	
D224,636 S	8/1972	Ball	
D225,840 S	1/1973	Ball	
D243,306 S *	2/1977	Moyer	D6/495
4,041,881 A	8/1977	Textoris et al.	
D247,733 S	4/1978	Robinson	
D253,565 S	12/1979	Ungaro	
D256,532 S	8/1980	Aulenti	
D270,410 S	9/1983	Sogoian	
D271,354 S	11/1983	Lerner et al.	
D273,738 S	5/1984	Keiser	
4,467,730 A	8/1984	Borichevsky	
D284,919 S	8/1986	Garcia et al.	

D289,478 S	4/1987	Vogtherr	
D289,589 S	5/1987	Garcia et al.	
D290,565 S	6/1987	Doezema	
D291,514 S	8/1987	Strousse et al.	
D291,516 S	8/1987	Strousse et al.	
D291,517 S	8/1987	Strousse et al.	
D293,400 S	12/1987	Stewart	
D299,195 S	1/1989	Frinier	
D315,650 S *	3/1991	Fisher	D6/484
D325,140 S	4/1992	Sottsass et al.	
D332,362 S	1/1993	Lewis	

(Continued)

FOREIGN PATENT DOCUMENTS

KR 100809099 B1 3/2008

OTHER PUBLICATIONS

NLBAA Sofa, First Proof Journal Oregon Journal of CA 2-5511, Sunday, Oct. 11. No. 6226 Journal.

(Continued)

Primary Examiner — Janice Seeger

(74) *Attorney, Agent, or Firm* — Quarles & Brady LLP

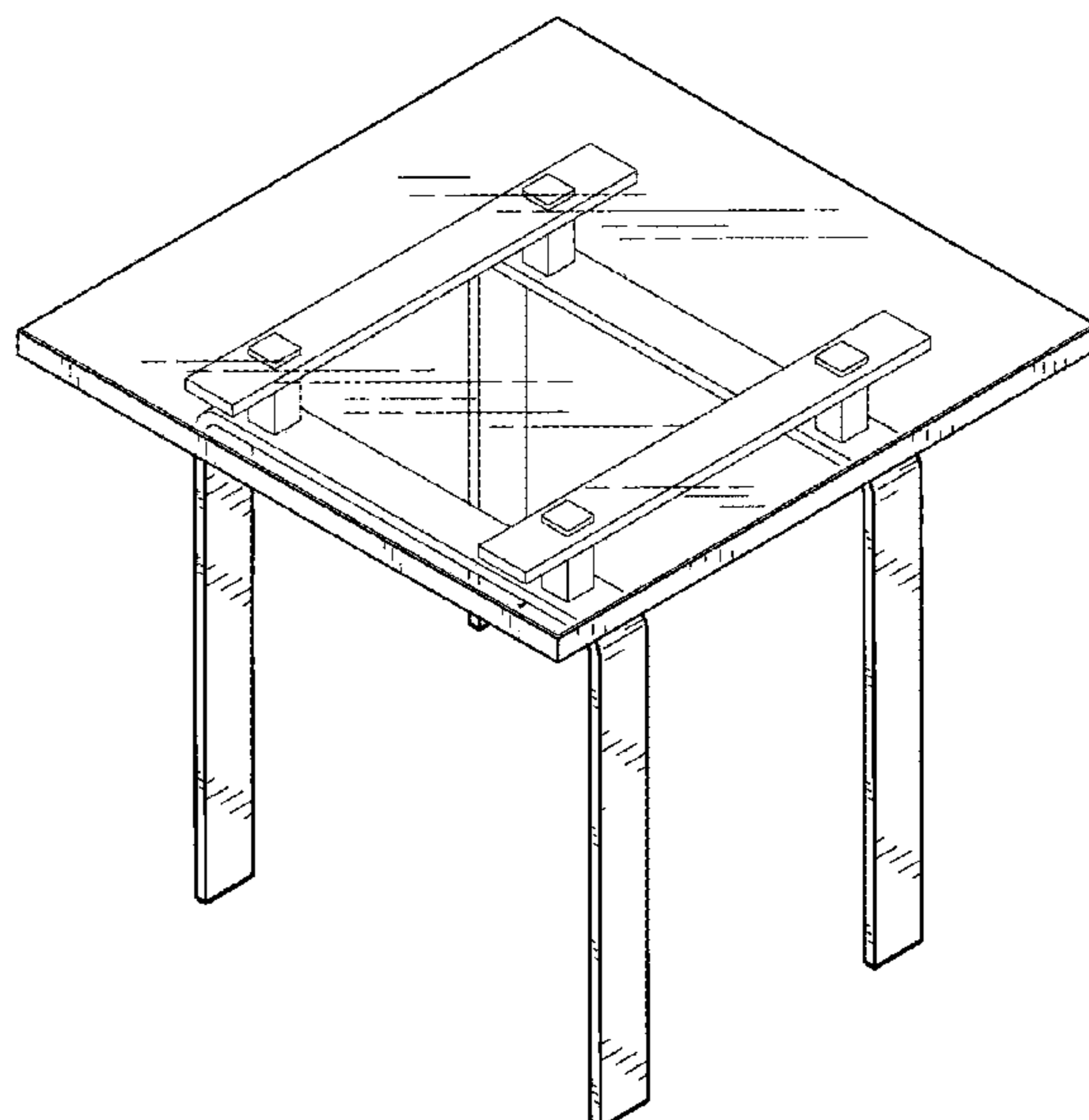
(57) **CLAIM**

The ornamental design for a table, as shown and described.

DESCRIPTION

FIG. 1 is a right, top, front perspective view of a table according to our new design;
FIG. 2 is a front elevational view thereof, the rear elevational view thereof being a mirror image of the front shown;
FIG. 3 is a right side elevational view thereof, the left side elevational view thereof being a mirror image of the right side shown;
FIG. 4 is a top plan view thereof; and,
FIG. 5 is a bottom plan view thereof.

1 Claim, 5 Drawing Sheets



US D661,127 S

Page 2

U.S. PATENT DOCUMENTS

D338,790 S * 8/1993 Glendinning D6/495
D339,701 S 9/1993 Martin
D343,311 S 1/1994 Ball
D345,476 S 3/1994 Burdick et al.
D354,643 S 1/1995 Hansel et al.
D355,790 S 2/1995 Dwyer
D357,375 S 4/1995 Noll
D357,831 S 5/1995 Yeh
D357,832 S 5/1995 Yeh
D358,078 S 5/1995 Klein
D375,852 S 11/1996 Keller
D376,712 S 12/1996 Mezger
D385,731 S 11/1997 Yurk
D386,868 S 11/1997 Catlett
D394,767 S 6/1998 Nourse
D403,898 S 1/1999 Arnegger
D417,095 S 11/1999 Glass
D428,559 S 7/2000 Danesi
D428,740 S 8/2000 Maly
D431,398 S 10/2000 Luong et al.
D438,407 S 3/2001 Maly
D448,212 S 9/2001 Petersen
D449,185 S 10/2001 Solloway
D450,487 S 11/2001 Sabo

D461,344 S 8/2002 Noll
D469,634 S 2/2003 Hirsch
D469,635 S 2/2003 Hirsch
D474,357 S * 5/2003 Chen D6/487
D474,628 S 5/2003 Chen
D498,949 S 11/2004 Frenkler et al.
D510,492 S 10/2005 Sakurai et al.
D524,580 S 7/2006 Chang
D569,132 S 5/2008 Sexton
D578,327 S 10/2008 Birsal et al.
D581,190 S 11/2008 Stoller
D588,380 S 3/2009 Bucholz et al.
D589,283 S 3/2009 Stangdell
D592,892 S 5/2009 Sexton
D608,568 S 1/2010 Manz

OTHER PUBLICATIONS

Metropolitan Furniture Company. Advertisement/Brochure.
Metropolitan Furniture Company. "Elegance at a Price". In-house
Metropolitan ad/brochure.
Metropolitan Furniture Company. "Sofa". Advertisement.
Metropolitan Furniture Company. "Sofa". Fraser's /Berkeley Tele-
graph and Channing advertisement.

* cited by examiner

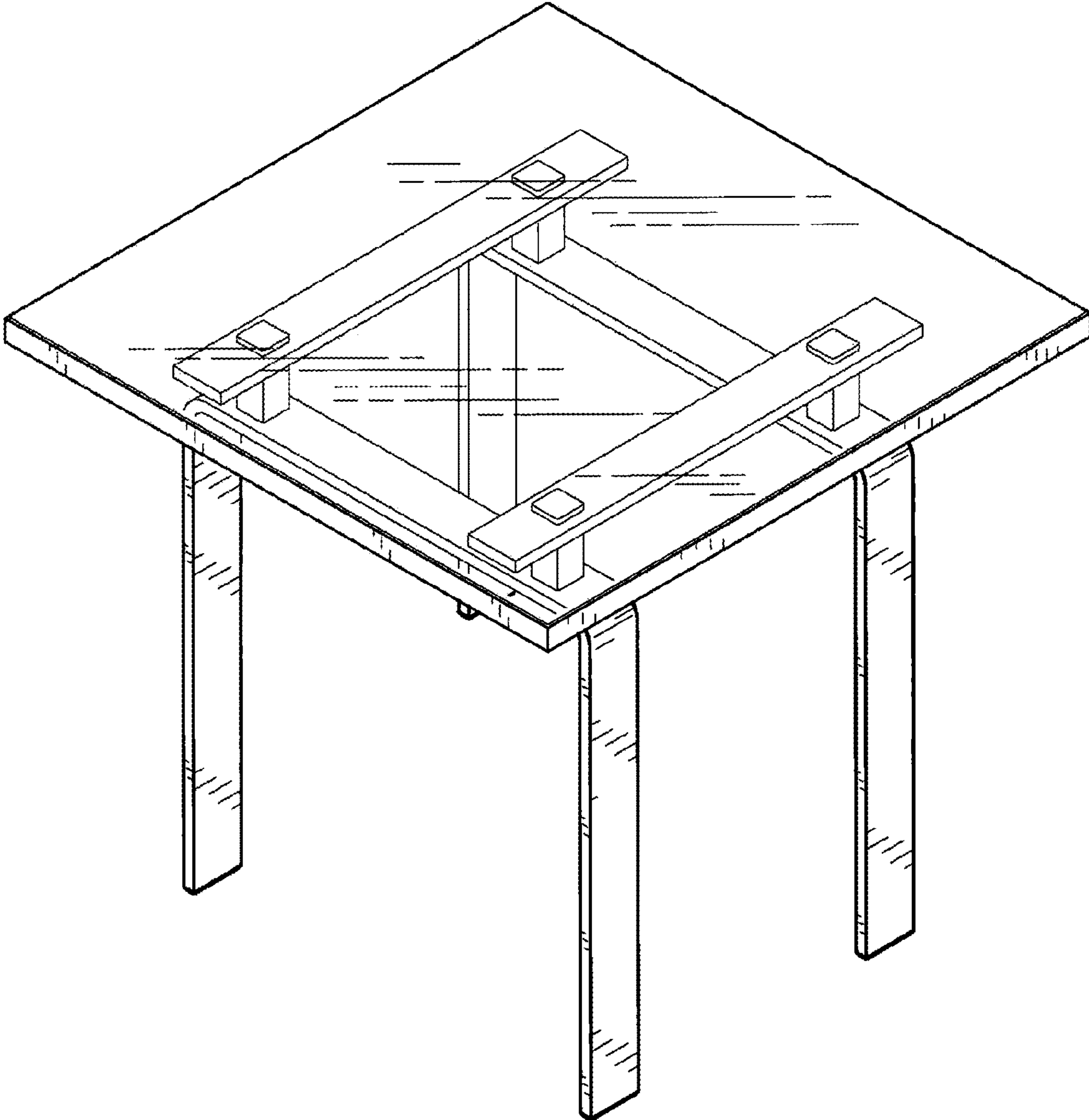


FIG. 1

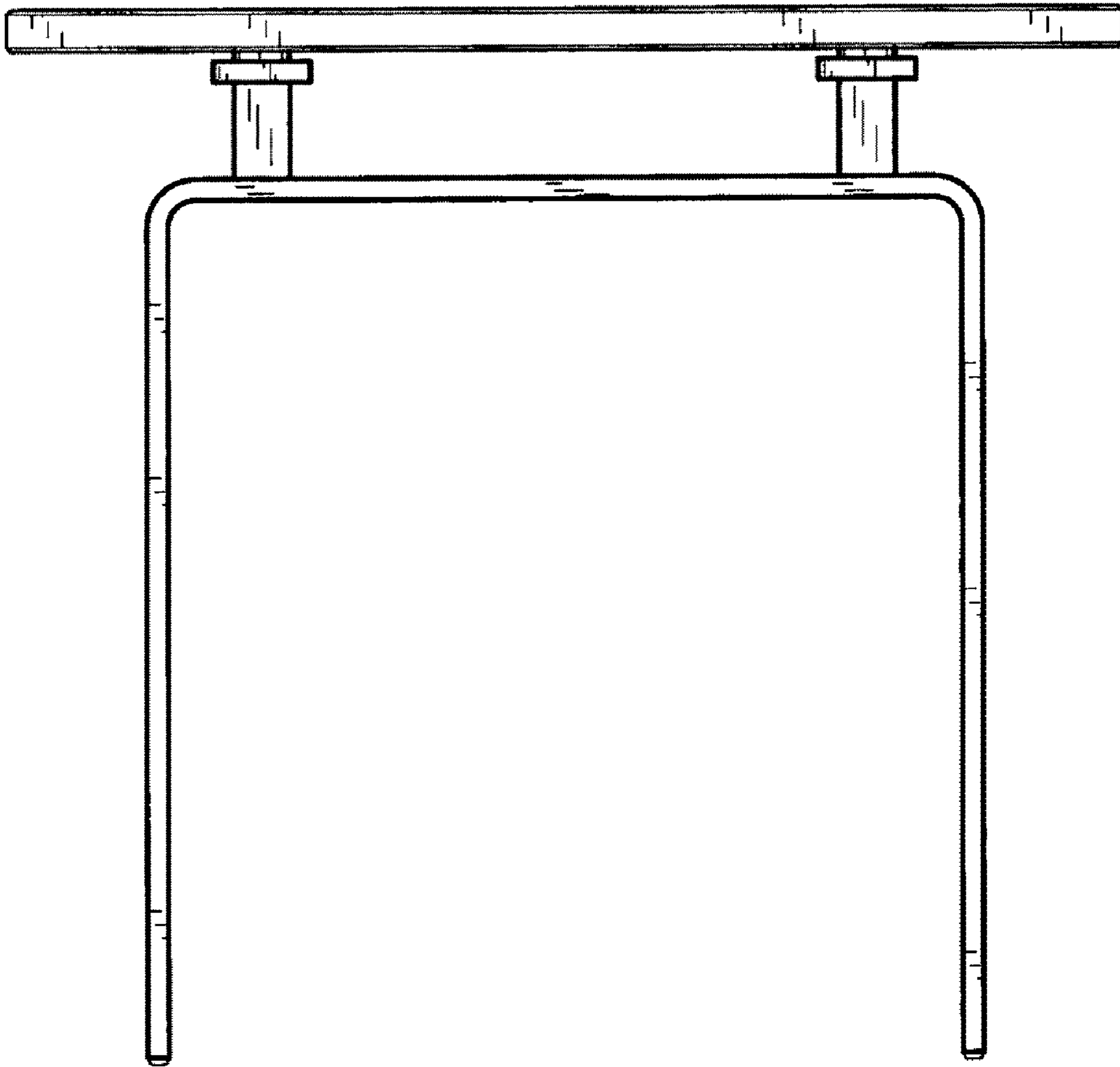


FIG. 2

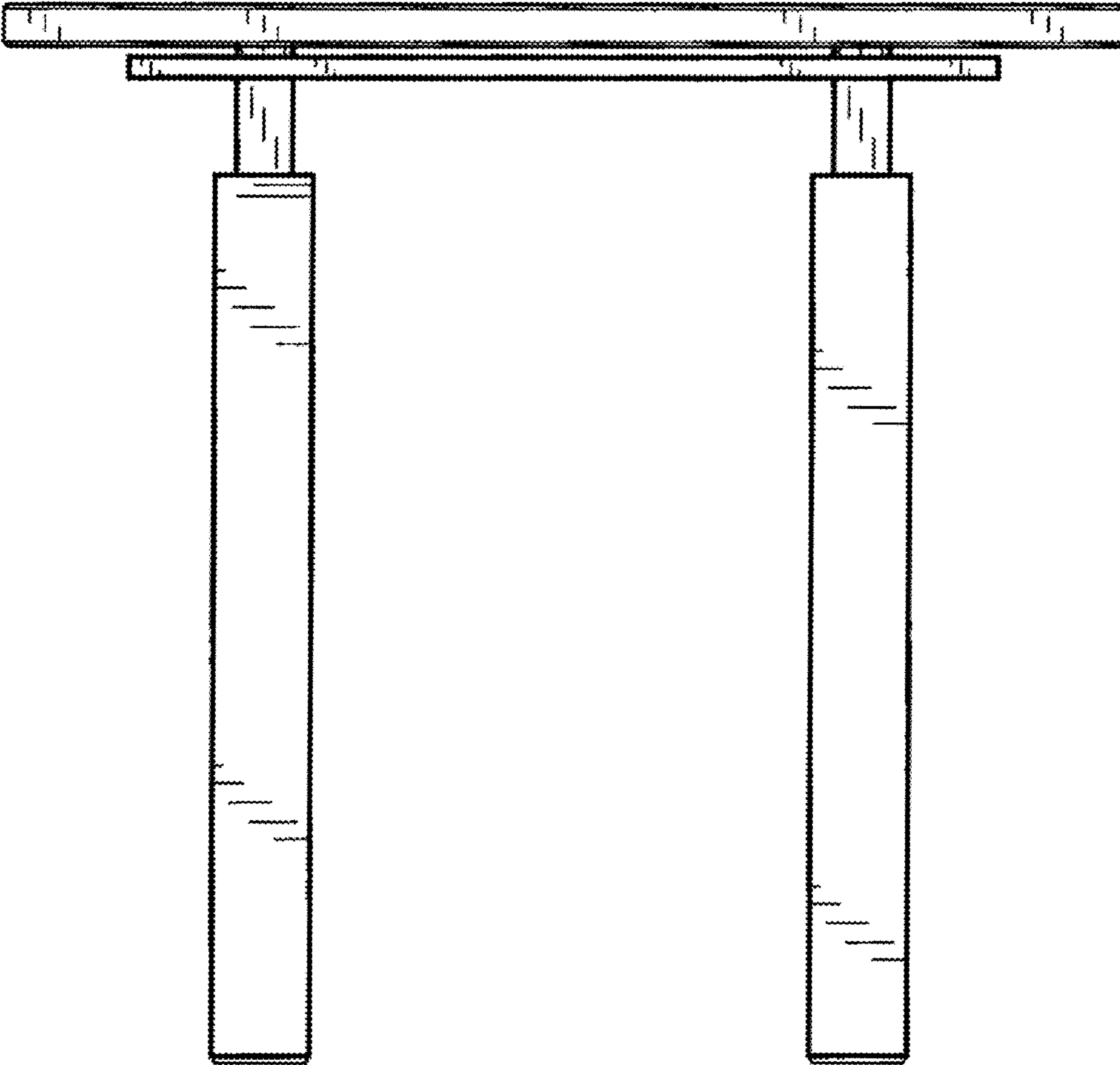


FIG. 3

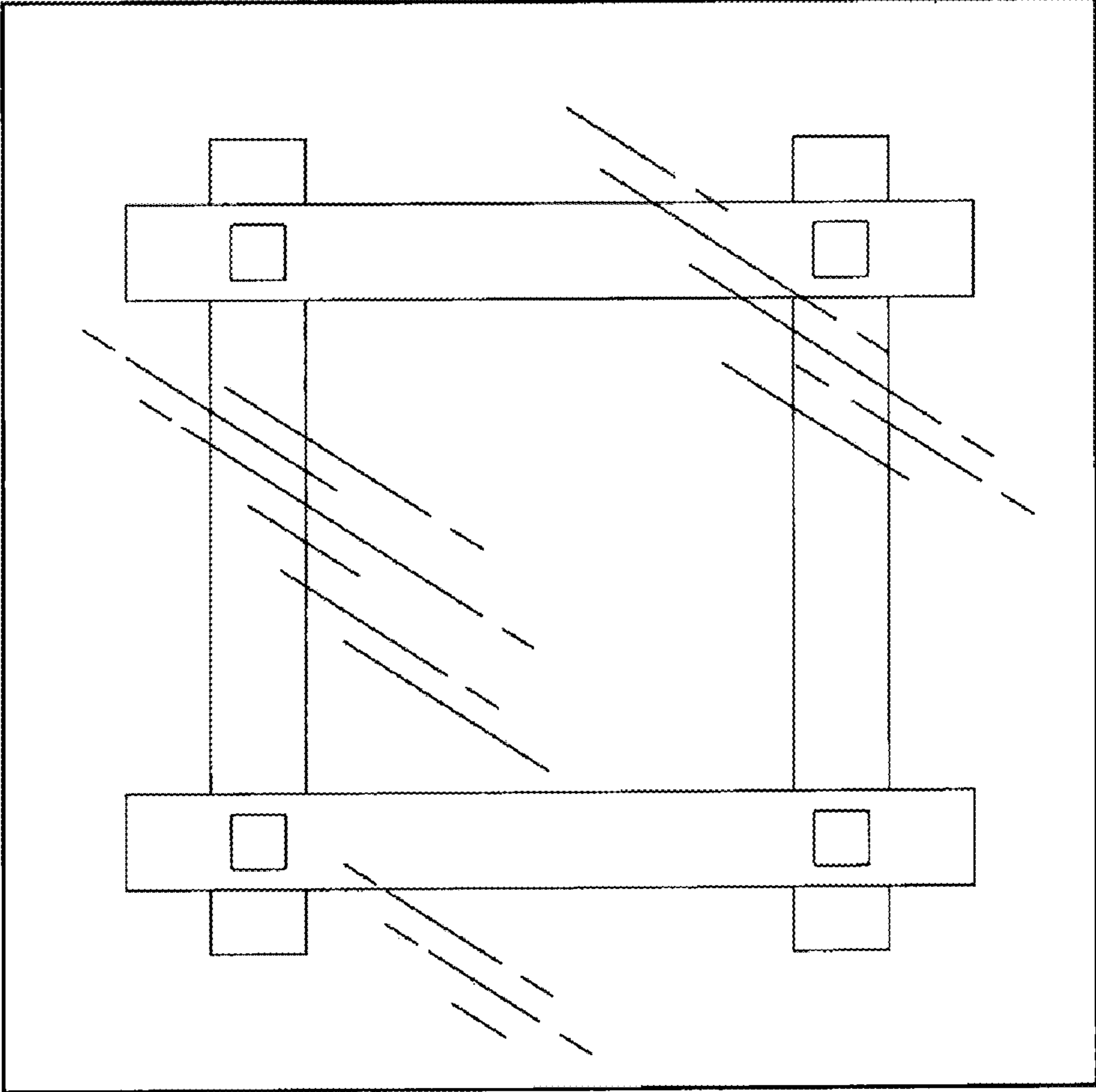


FIG. 4

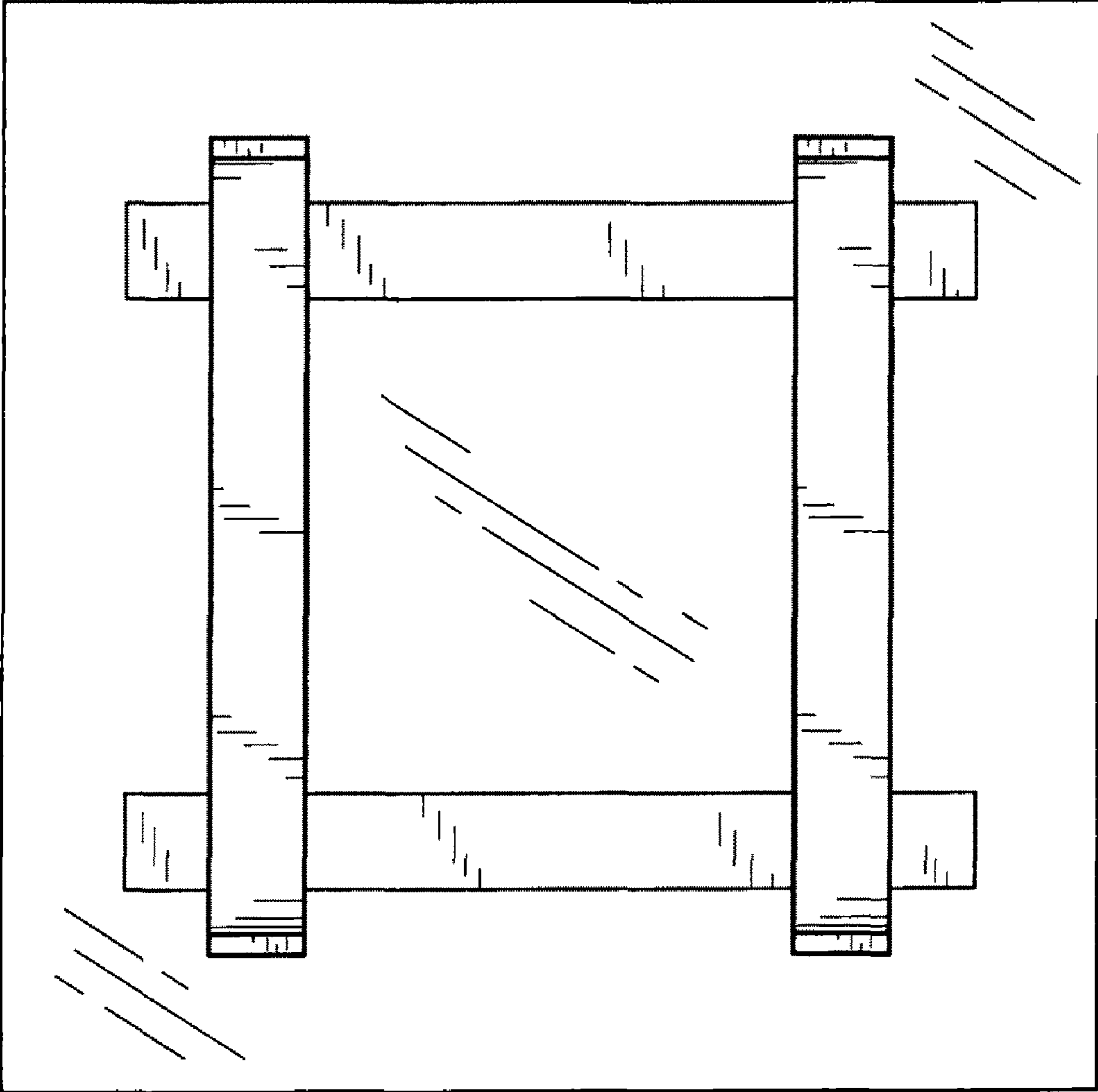


FIG. 5