



US00D661126S

(12) **United States Design Patent**  
**Hester**

(10) **Patent No.:** **US D661,126 S**  
(45) **Date of Patent:** **\*\* Jun. 5, 2012**

(54) **MULTIPLE SEGMENT FRONT VIEWING  
REMOVAL SLOT PACKAGE DISPLAY**

(76) Inventor: **Thomas F. Hester**, Ventura, CA (US)

(\*\*) Term: **14 Years**

(21) Appl. No.: **29/370,666**

(22) Filed: **Aug. 18, 2010**

(51) **LOC (9) Cl.** ..... **06-04**

(52) **U.S. Cl.** ..... **D6/407; D9/629**

(58) **Field of Classification Search** ..... D6/407,  
D6/510, 626-635; D9/414, 415, 418, 420,  
D9/422-426, 428, 432-433; D19/26-27;  
206/307, 307.1, 308.1, 309-313, 308.2, 308.3,  
206/445, 387.15, 749, 751; D3/201, 218,  
D3/270, 273, 294, 295, 299-301, 303-304;  
312/9.1, 902, 9.9, 9.48, 9.55, 9.64, 9.47,  
312/9.53; D14/478-479

See application file for complete search history.

(56) **References Cited**

**U.S. PATENT DOCUMENTS**

D208,252 S *	8/1967	Standard	.....	D12/417
D234,554 S *	3/1975	Wilm	.....	D6/631
D292,965 S *	12/1987	Fein	.....	D9/418
D293,396 S *	12/1987	Womack et al.	.....	D6/407
D416,400 S *	11/1999	Storz	.....	D6/407
D450,971 S *	11/2001	Lee	.....	D6/630
6,409,027 B1	6/2002	Chang et al.	.....	211/59.3
D461,126 S *	8/2002	Decello et al.	.....	D9/432
D473,076 S *	4/2003	Johnson	.....	D6/475
D479,043 S *	9/2003	Chandaria	.....	D3/304
6,769,552 B1	8/2004	Thalenfeld	.....	211/59.3
D495,951 S *	9/2004	Miller	.....	D9/418
6,805,249 B1	10/2004	Houle	.....	211/40
6,945,395 B2 *	9/2005	Hsu	.....	206/308.1

D513,461 S *	1/2006	Kwok	.....	D6/630
D515,346 S *	2/2006	Yang	.....	D6/629
7,017,778 B2	3/2006	Halbherr	.....	221/34
D519,771 S *	5/2006	Wong	.....	D6/630
D528,843 S *	9/2006	Kwok	.....	D6/630
D552,399 S *	10/2007	Jaricot	.....	D6/629
D554,929 S *	11/2007	Jajdelski	.....	D6/629
7,431,163 B2 *	10/2008	Andersen	.....	206/736
7,559,437 B2	7/2009	Colelli et al.	.....	221/312
D618,949 S *	7/2010	Kohler	.....	D6/629
D619,406 S *	7/2010	Nielsen	.....	D6/629
D619,407 S *	7/2010	Nielsen	.....	D6/629
D625,946 S *	10/2010	Moore	.....	D6/629
D629,637 S *	12/2010	Hunt et al.	.....	D6/629
7,984,577 B2 *	7/2011	Arant	.....	40/657
D644,057 S *	8/2011	Nielsen	.....	D6/629

\* cited by examiner

*Primary Examiner* — T. Chase Nelson

(74) *Attorney, Agent, or Firm* — Keisling & Pieper PLC;  
David B. Pieper

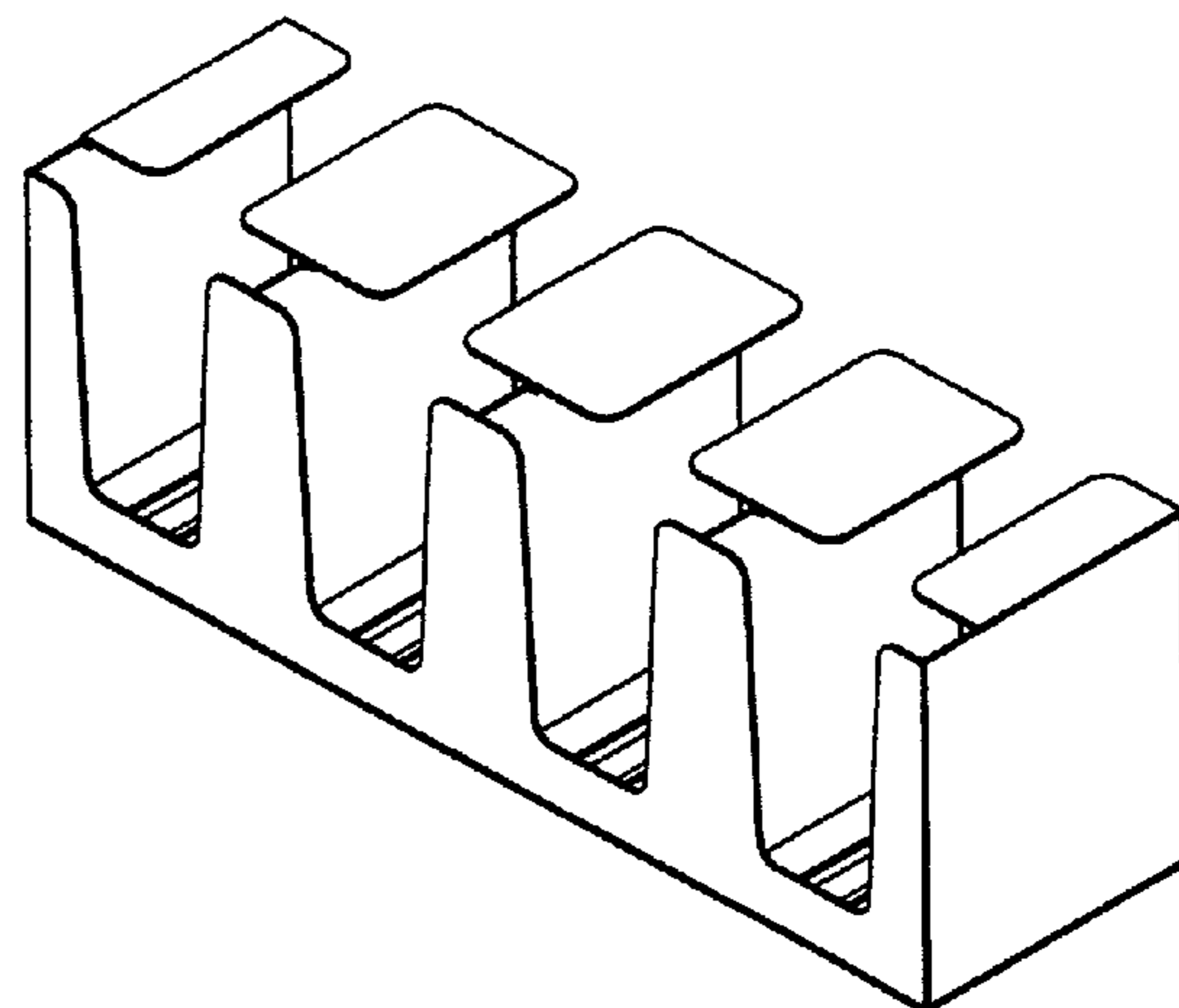
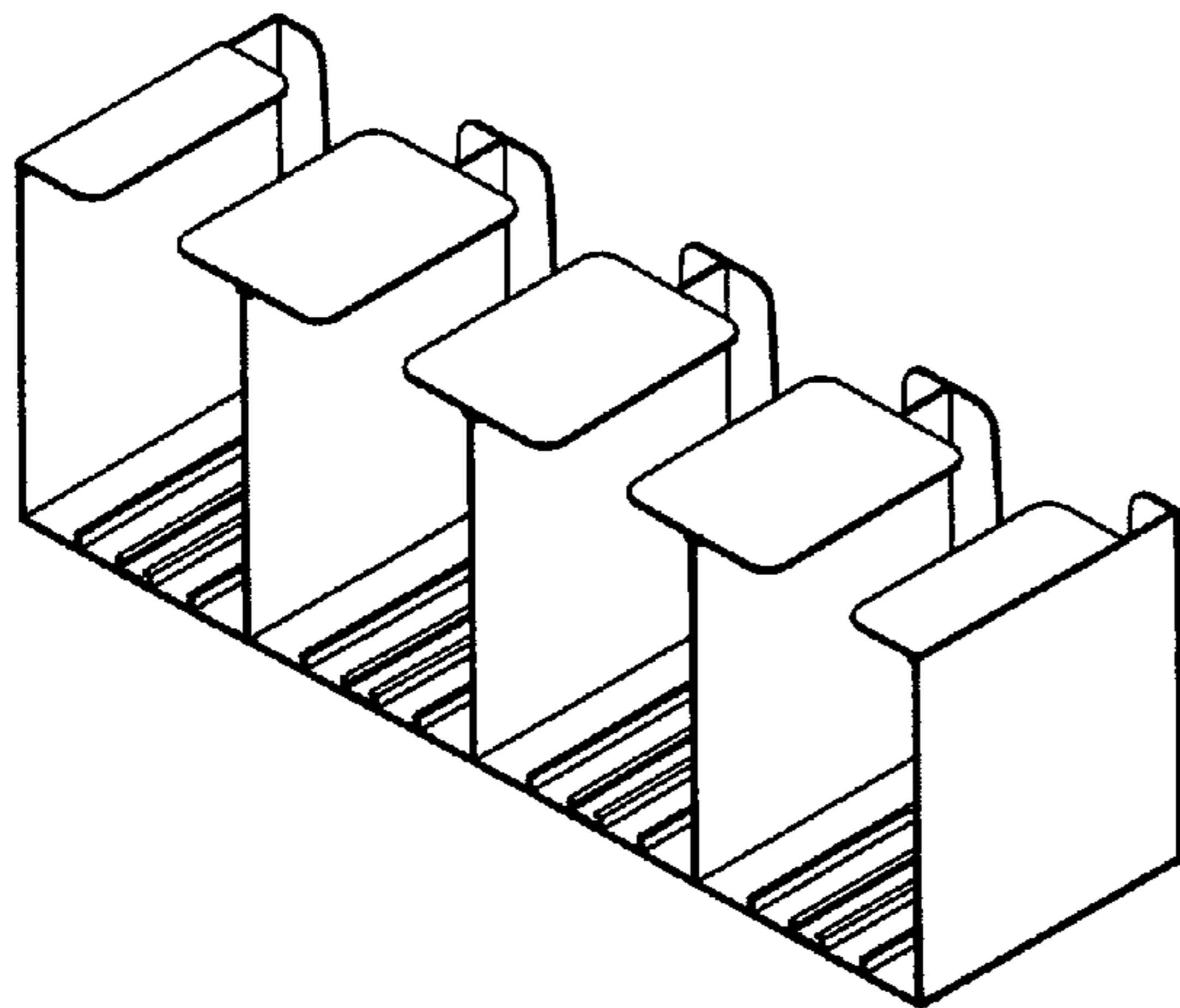
(57) **CLAIM**

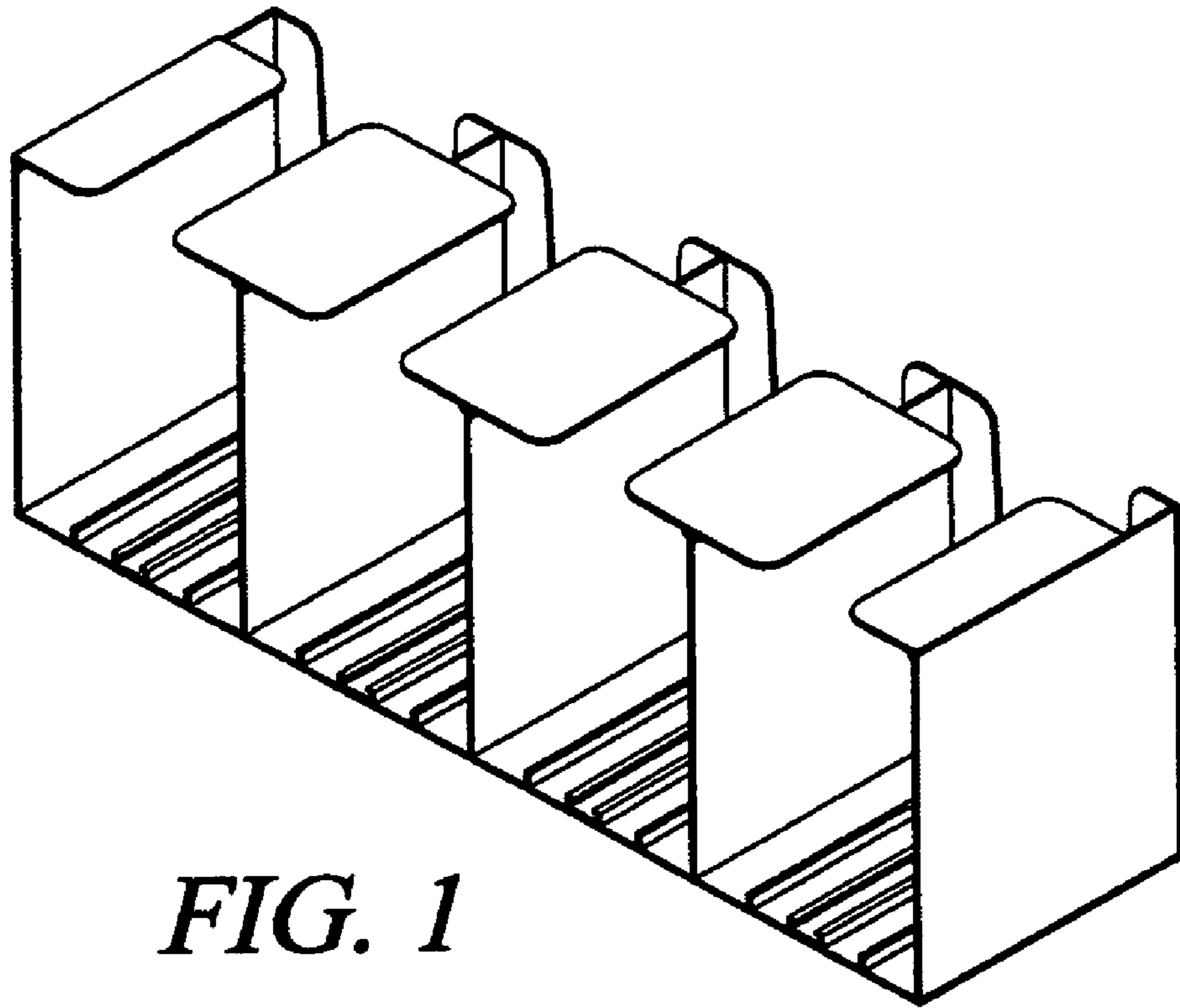
The ornamental design for a multiple segment front viewing removal slot package display, as shown and described.

**DESCRIPTION**

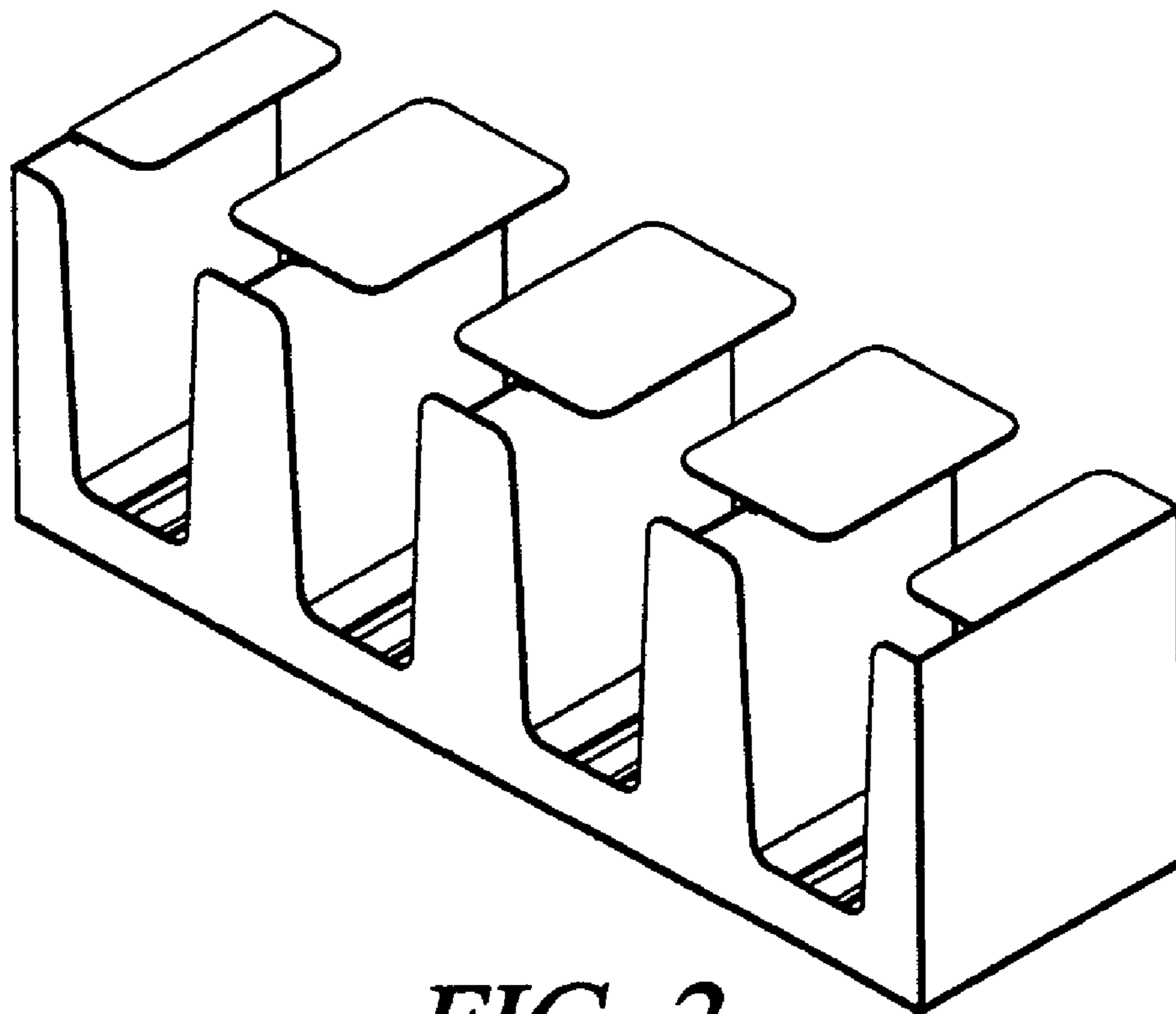
FIG. 1 is a back perspective view of a multiple segment front viewing removal slot package display showing my new design;  
FIG. 2 is a front perspective view thereof;  
FIG. 3 is a front view thereof;  
FIG. 4 is a back view thereof;  
FIG. 5 is a top view thereof;  
FIG. 6 is a bottom view thereof;  
FIG. 7 is a left side view thereof; and,  
FIG. 8 is a right side view thereof.

**1 Claim, 3 Drawing Sheets**

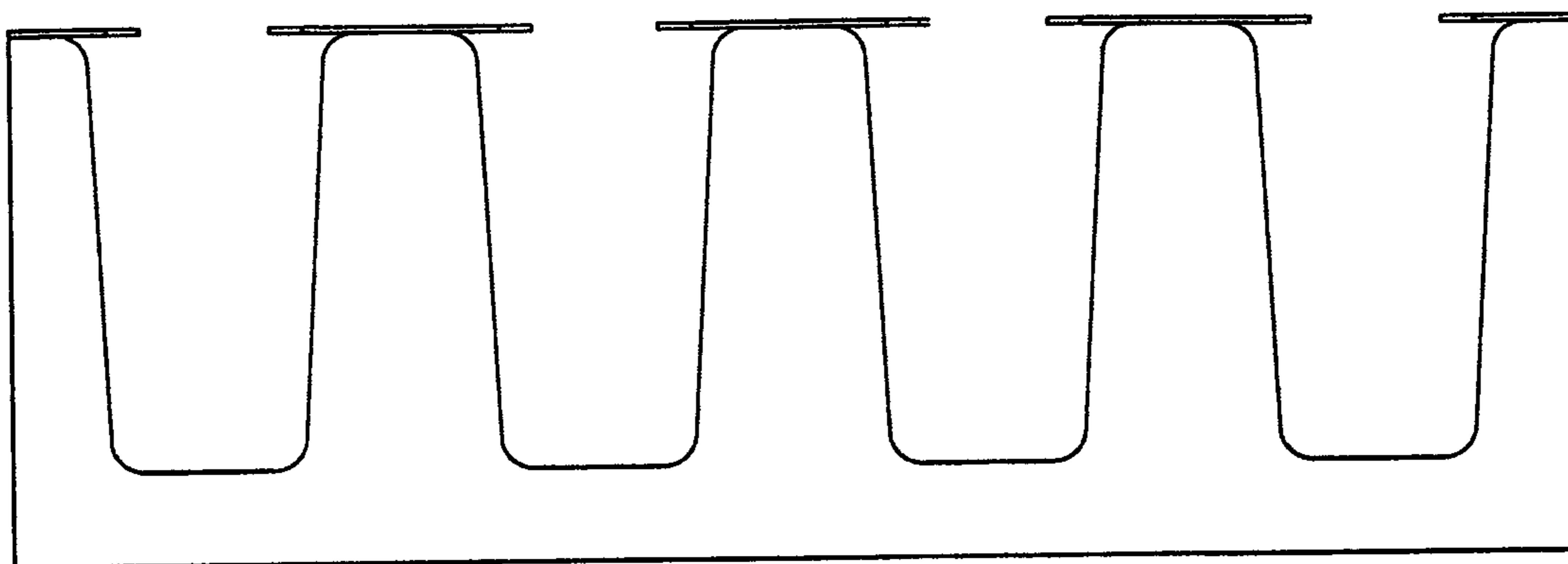




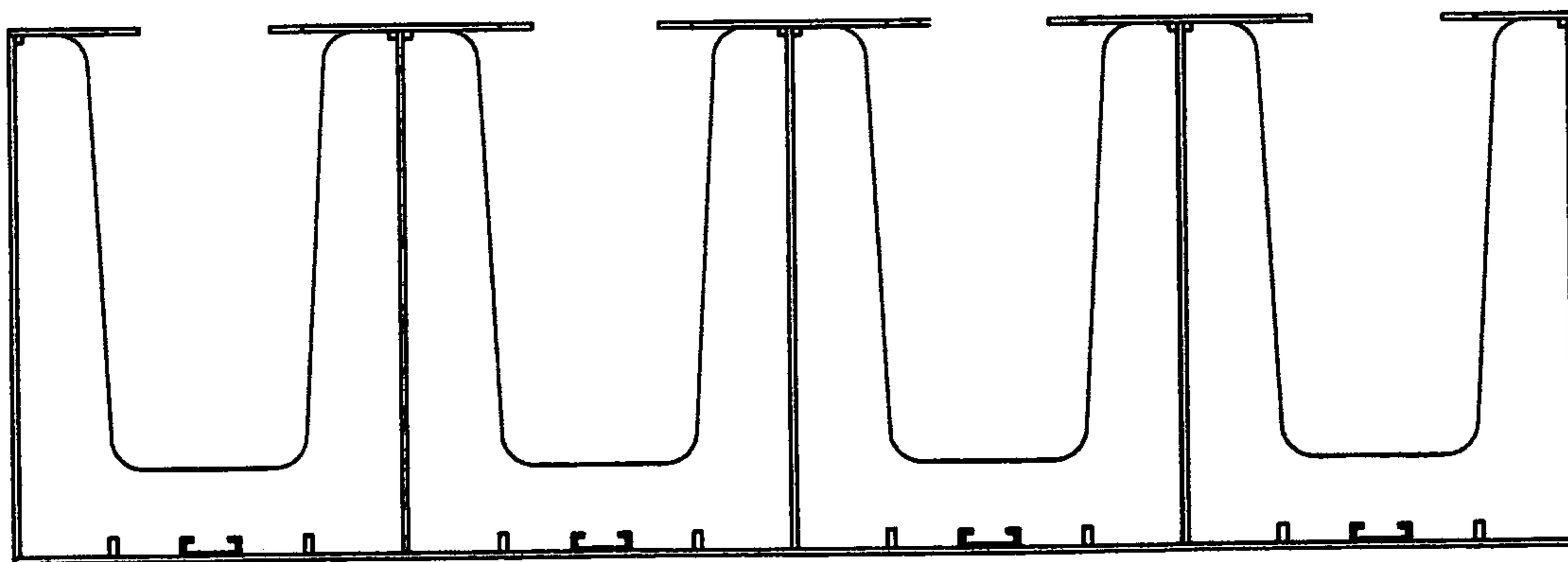
*FIG. 1*



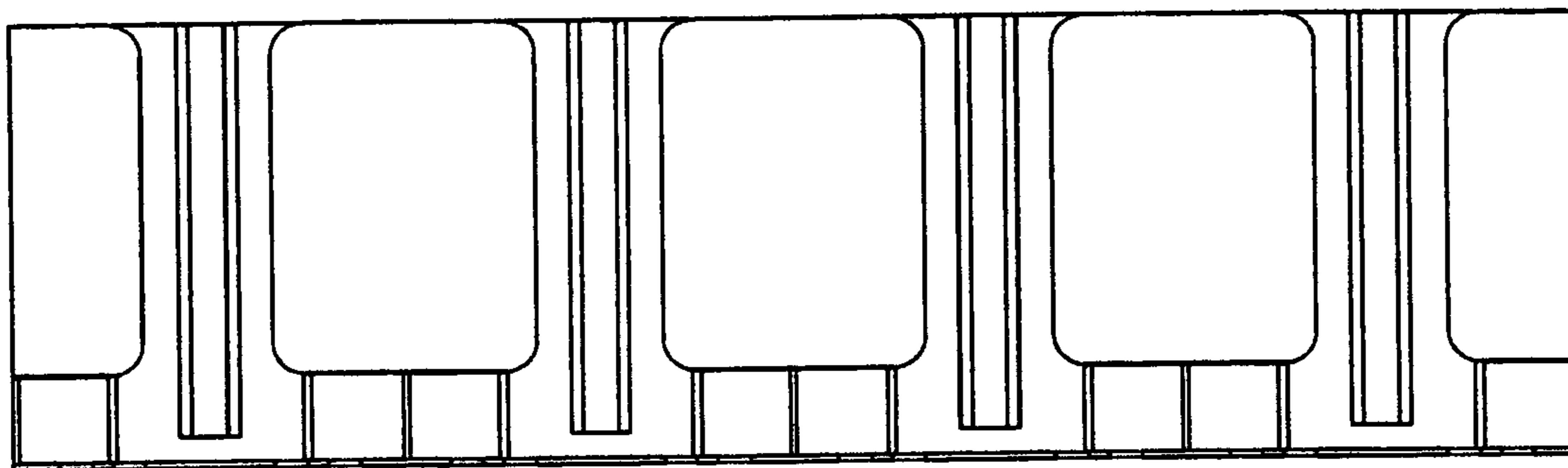
*FIG. 2*



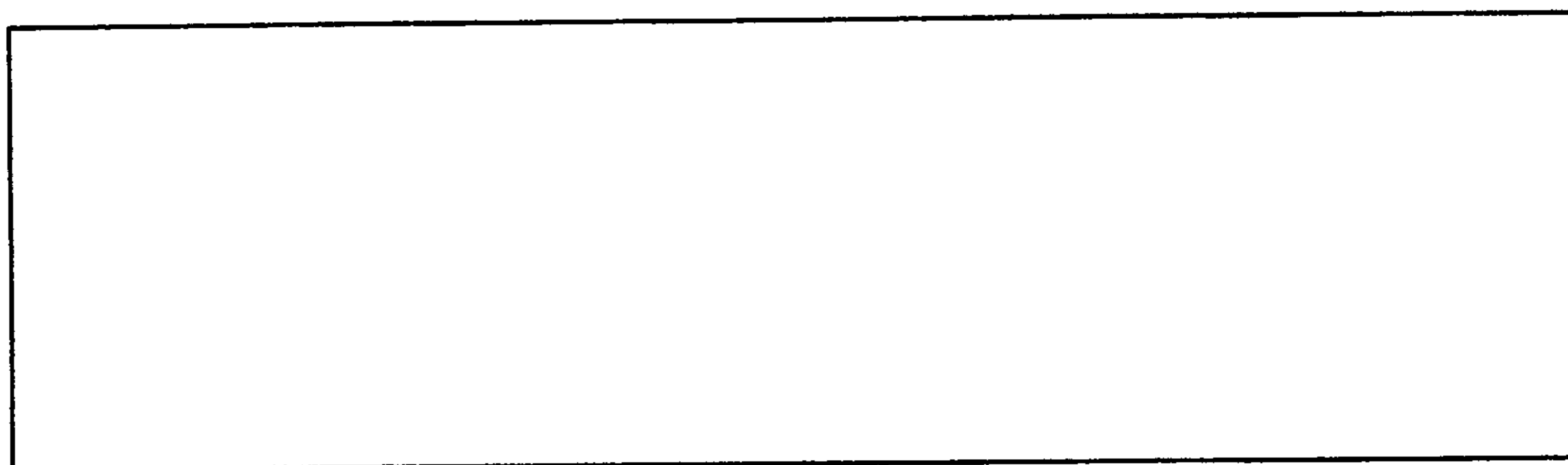
*FIG. 3*



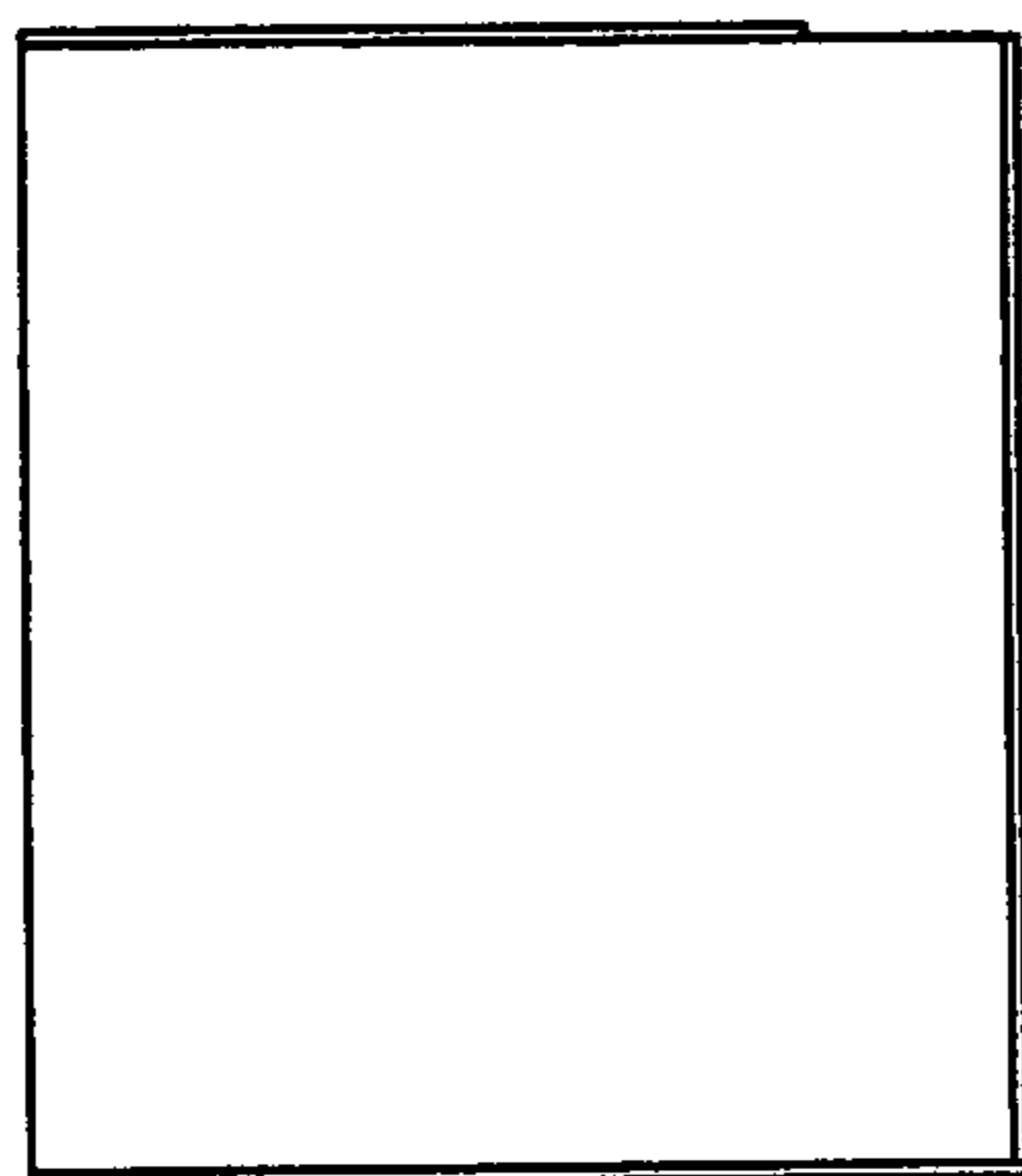
*FIG. 4*



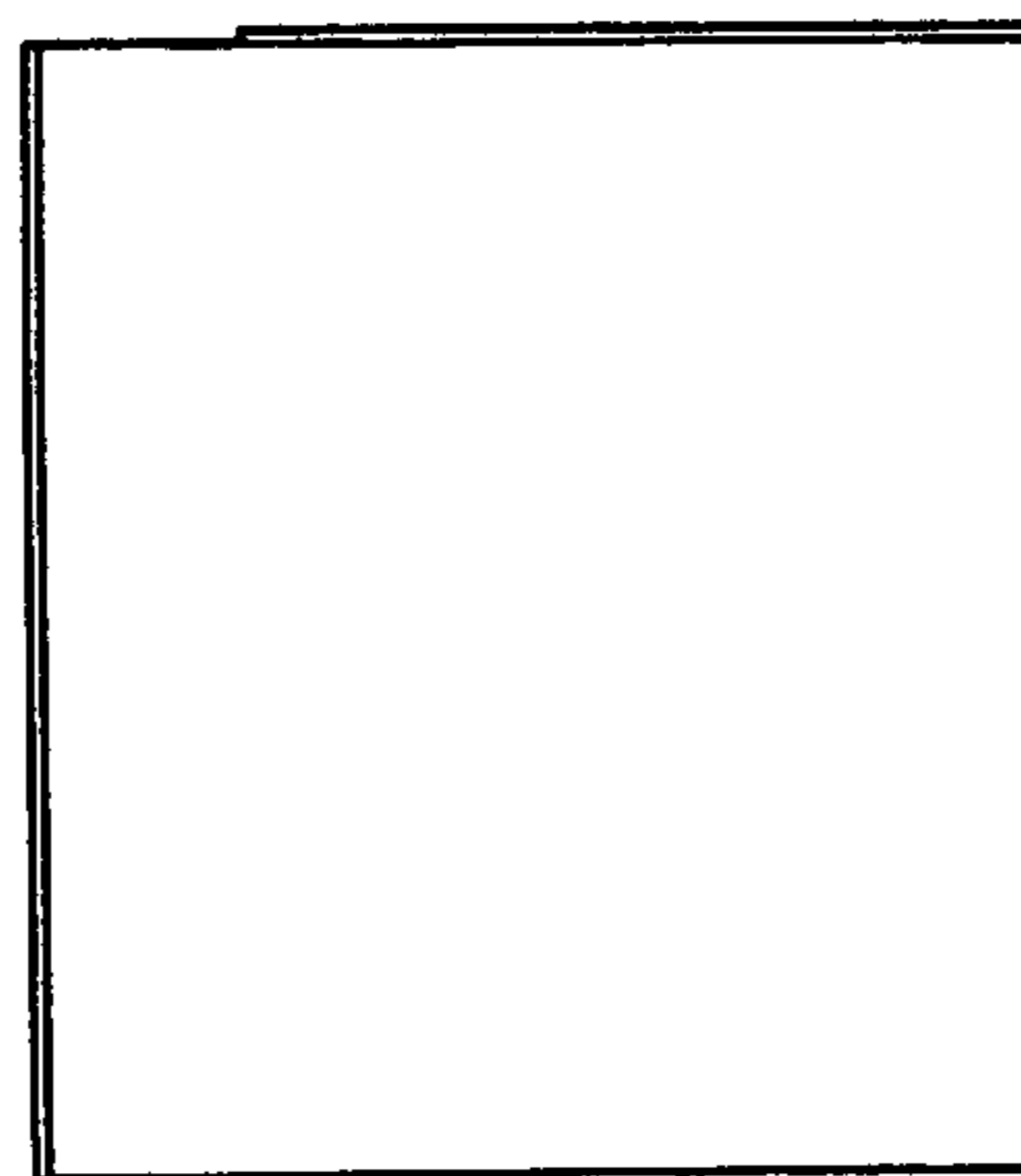
*FIG. 5*



*FIG. 6*



*FIG. 7*



*FIG. 8*