



US00D661122S

(12) **United States Design Patent**
Kubiak

(10) **Patent No.:** **US D661,122 S**
(45) **Date of Patent:** **** Jun. 5, 2012**

(54) **RISING BED**

(75) Inventor: **Craig P. Kubiak**, Washington, MO (US)

(73) Assignee: **NOA Medical Industries, Inc.**,
Washington, MO (US)

(**) Term: **14 Years**

(21) Appl. No.: **29/404,657**

(22) Filed: **Oct. 24, 2011**

Related U.S. Application Data

(63) Continuation-in-part of application No. 29/344,561,
filed on Sep. 30, 2009, now abandoned.

(51) **LOC (9) Cl.** **06-02**

(52) **U.S. Cl.** **D6/392**

(58) **Field of Classification Search** D6/392-395,
D6/505-508; 5/53.1, 907, 279.1, 280, 281,
5/2.1, 600, 612, 620, 81.1 R, 81.1 HS, 308,
5/400, 611, 86.1

See application file for complete search history.

(56) **References Cited**

U.S. PATENT DOCUMENTS

2,889,561 A * 6/1959 Martin 5/110
D254,583 S * 4/1980 Bergenwall D6/392
D384,834 S * 10/1997 Midorikawa et al. D6/392

2003/0172459 A1 * 9/2003 Roussy 5/611
2005/0091747 A1 * 5/2005 Freeborn et al. 5/611
2005/0283911 A1 * 12/2005 Roussy 5/611
2006/0123545 A1 * 6/2006 Johnson 5/611

* cited by examiner

Primary Examiner — Janice Seeger

(74) *Attorney, Agent, or Firm* — Kevin L. Klug

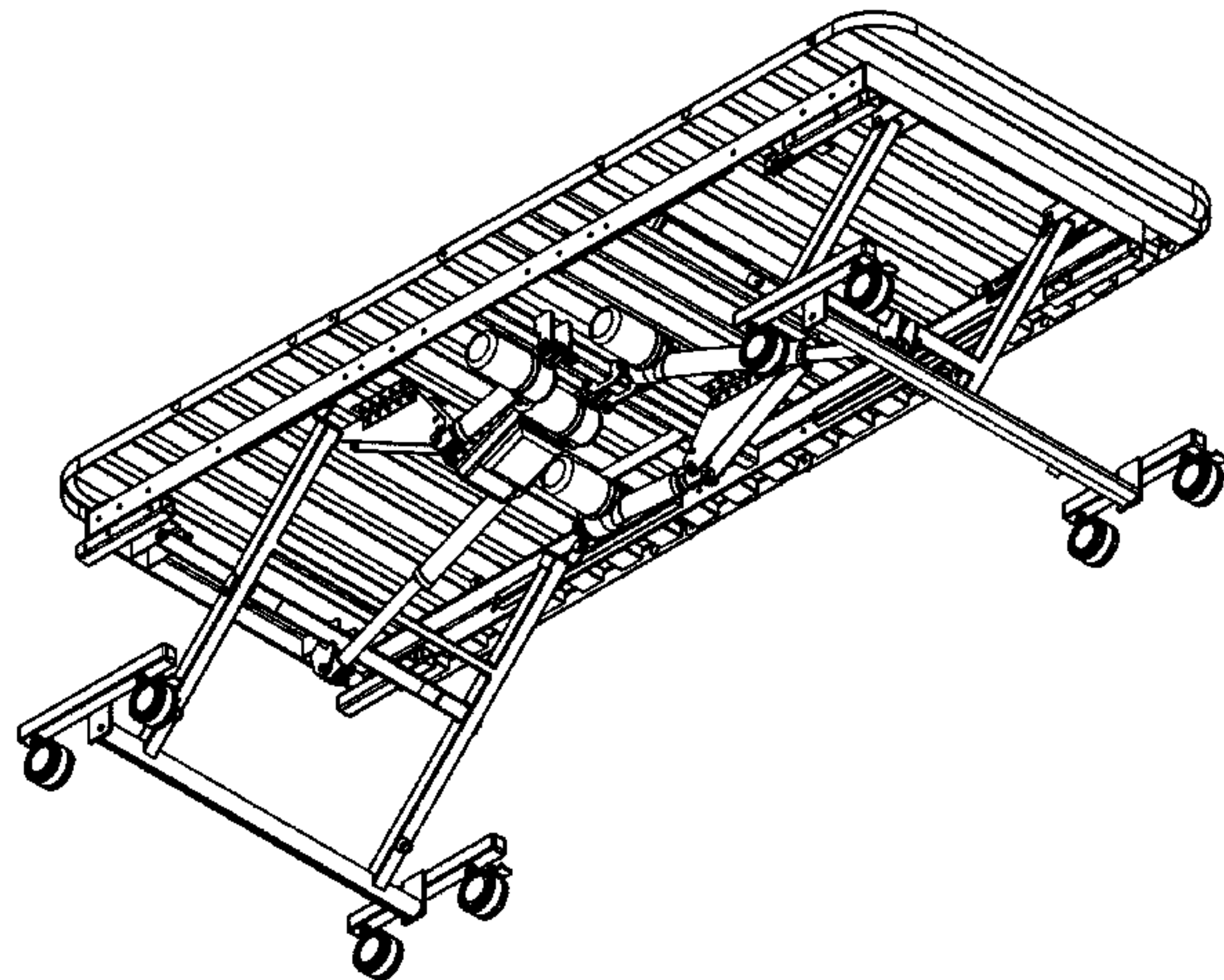
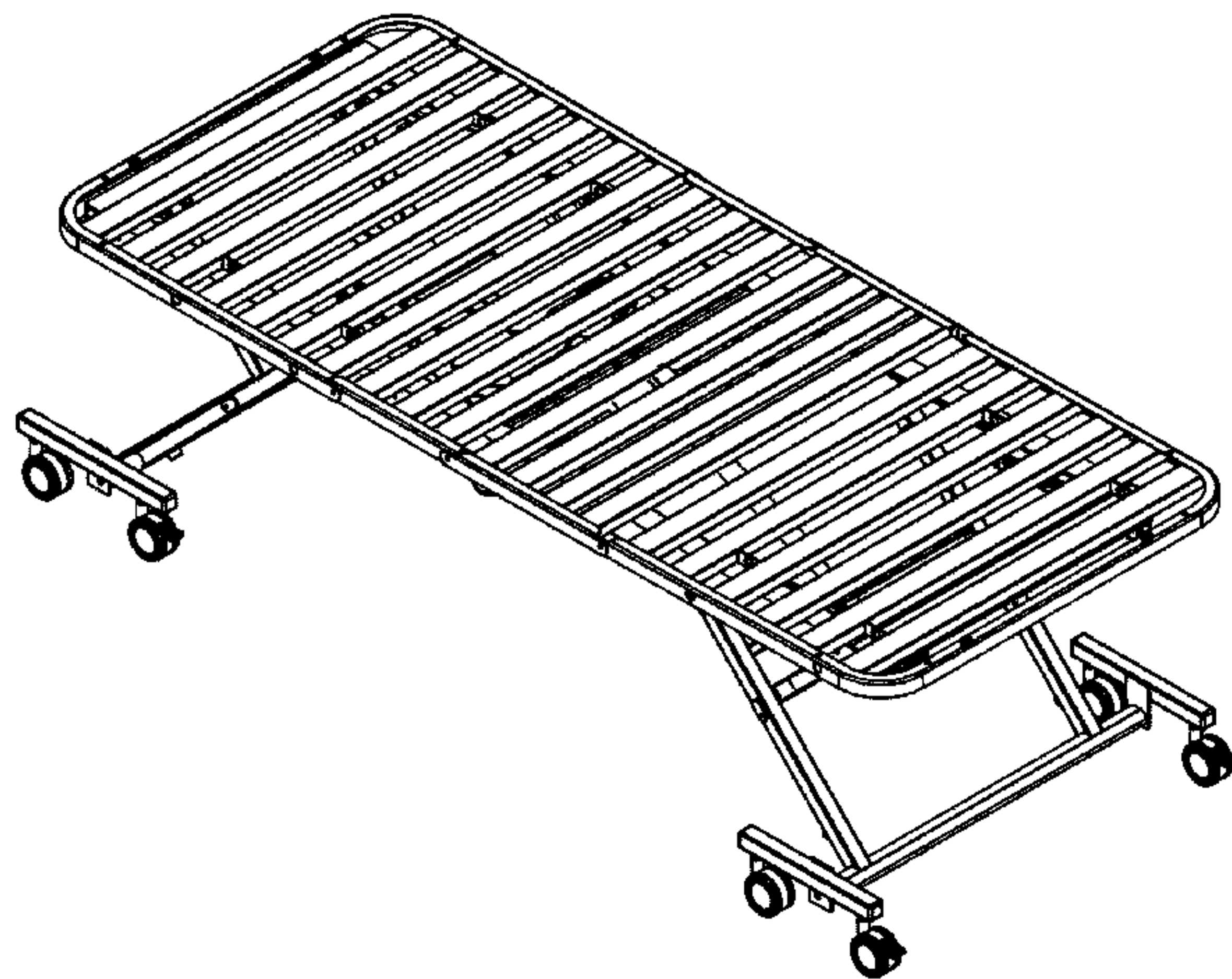
(57) **CLAIM**

The ornamental design for a rising bed, as shown and described.

DESCRIPTION

FIG. 1 is a front left top perspective view of a rising bed;
FIG. 2 is a rear left top perspective view thereof;
FIG. 3 is a front left bottom perspective view thereof;
FIG. 4 is a rear left bottom perspective view thereof;
FIG. 5 is a rear right top perspective view thereof;
FIG. 6 is a front right top perspective view thereof;
FIG. 7 is a rear right bottom perspective view thereof;
FIG. 8 is a front right bottom perspective view thereof;
FIG. 9 is a left side elevation view thereof;
FIG. 10 is a right side elevation view thereof;
FIG. 11 is a front elevation view thereof;
FIG. 12 is a rear elevation view thereof;
FIG. 13 is a top plan view thereof; and,
FIG. 14 is a bottom plan view thereof.

1 Claim, 14 Drawing Sheets



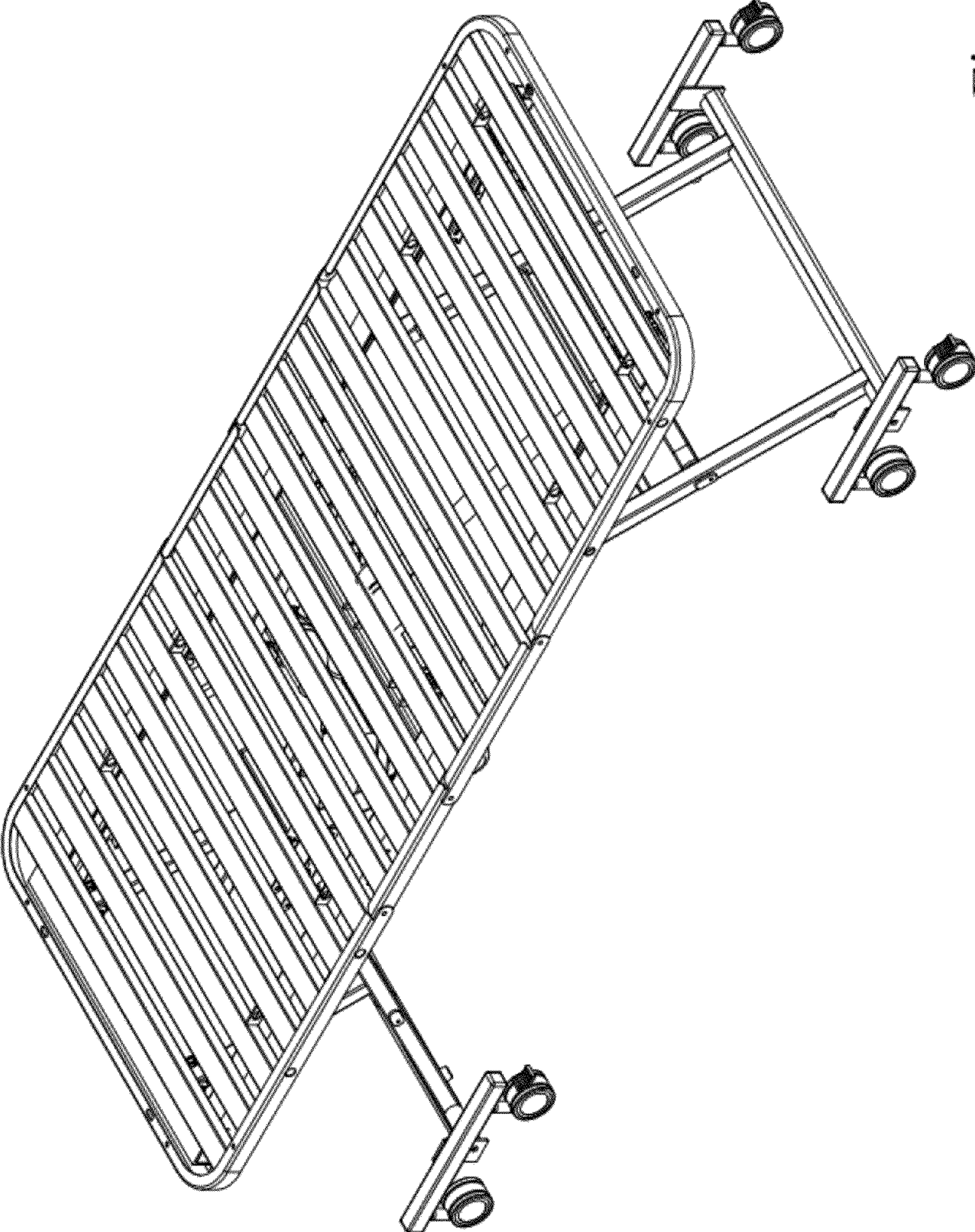


Fig. 1

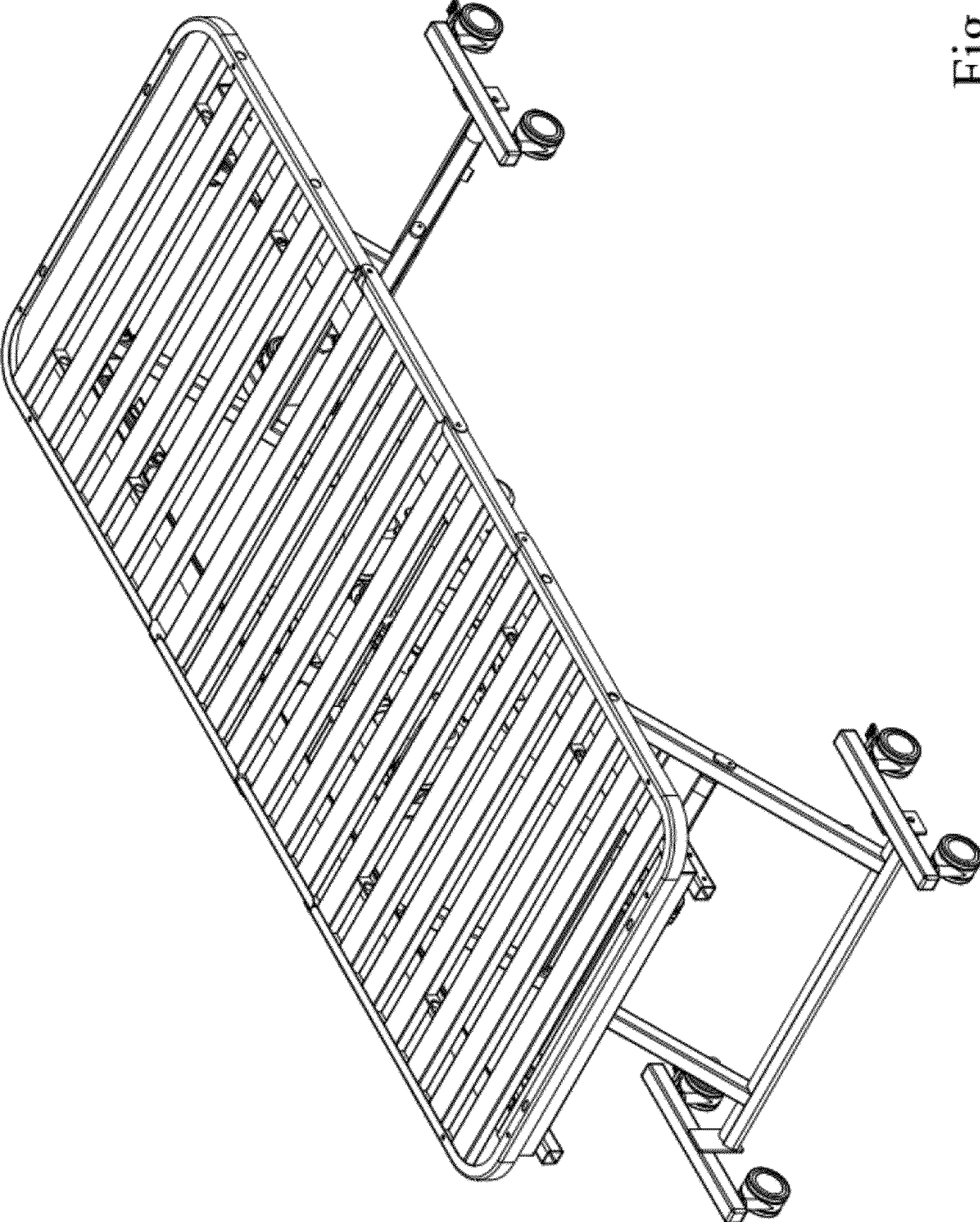


Fig. 2

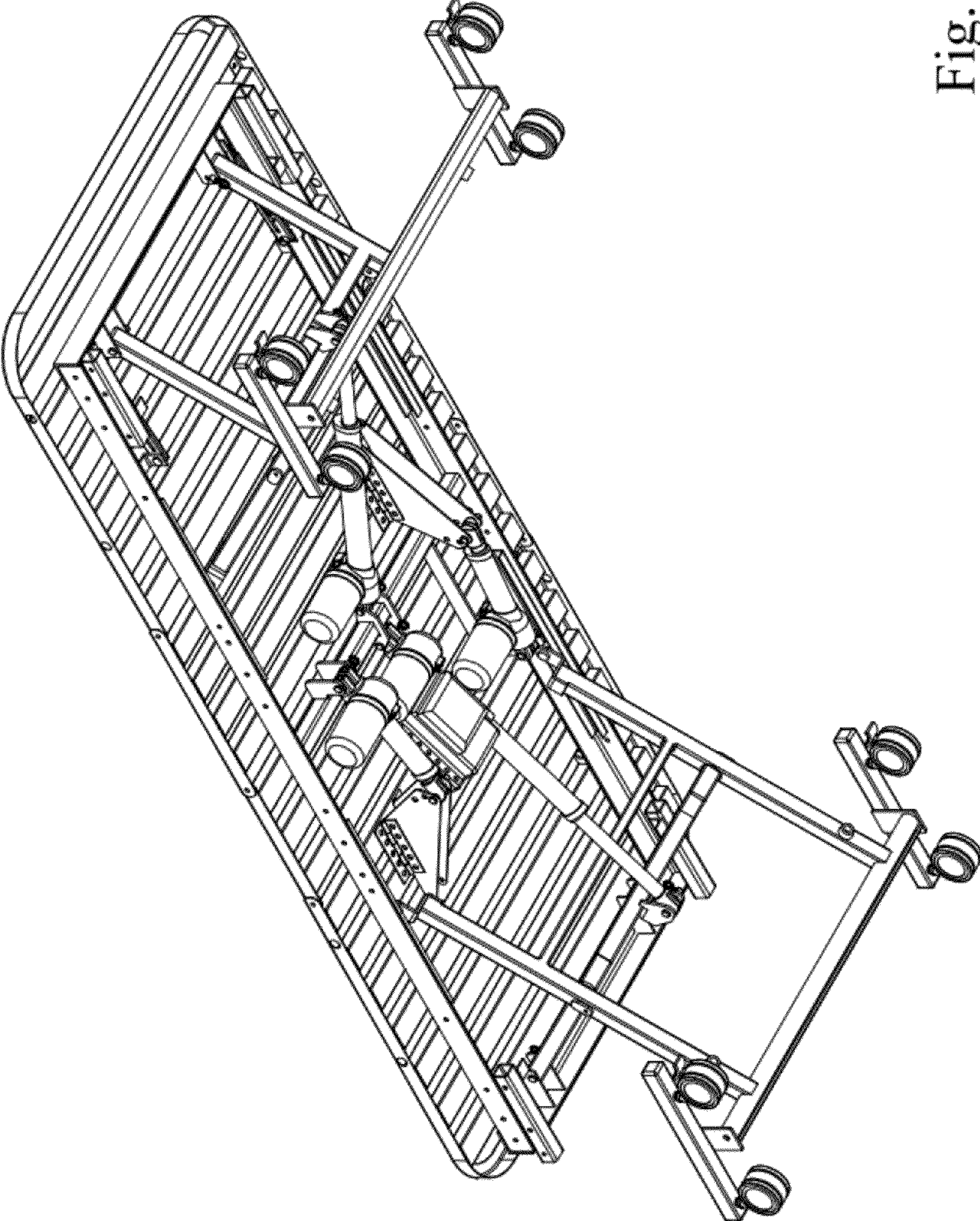


Fig. 3

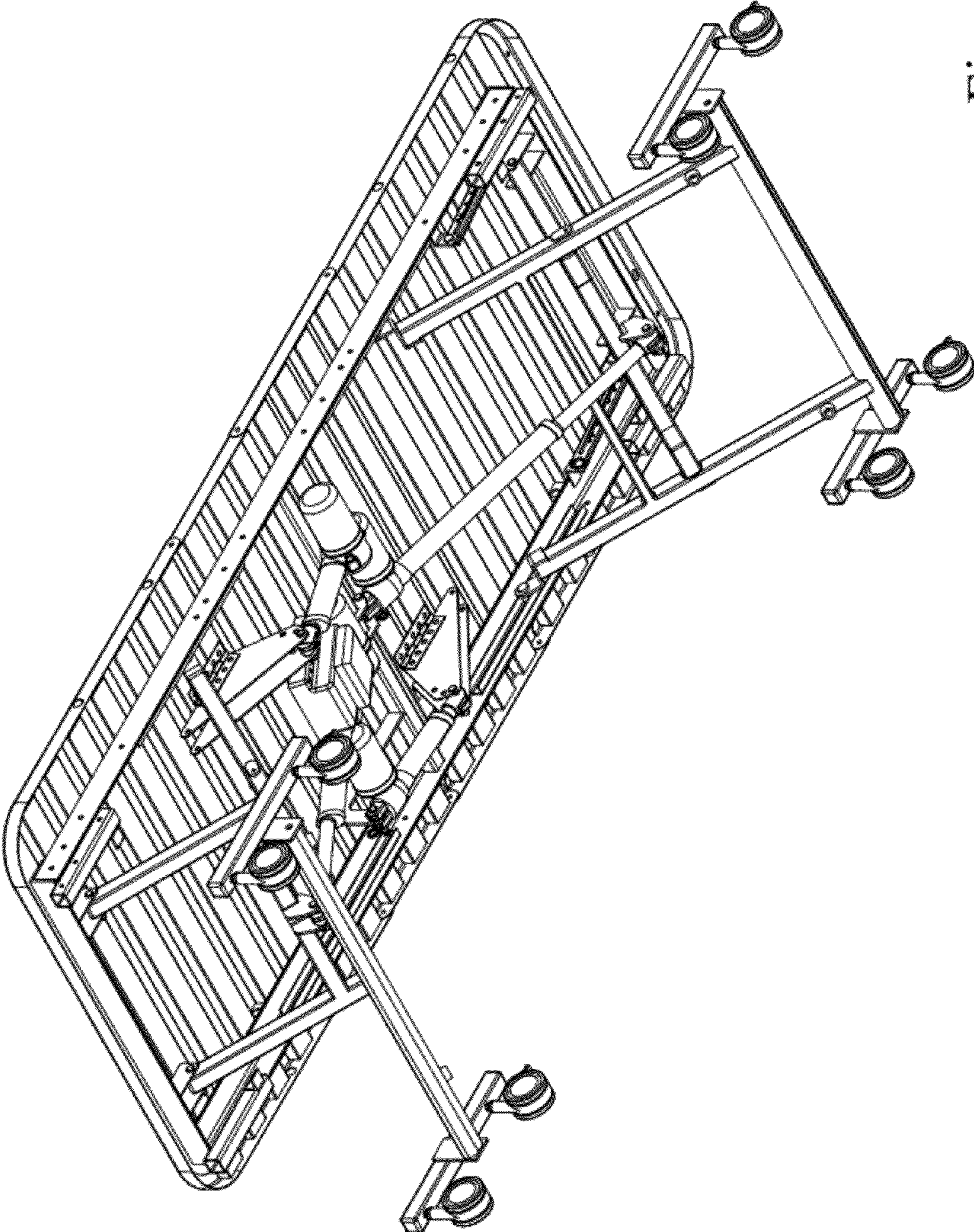


Fig. 4

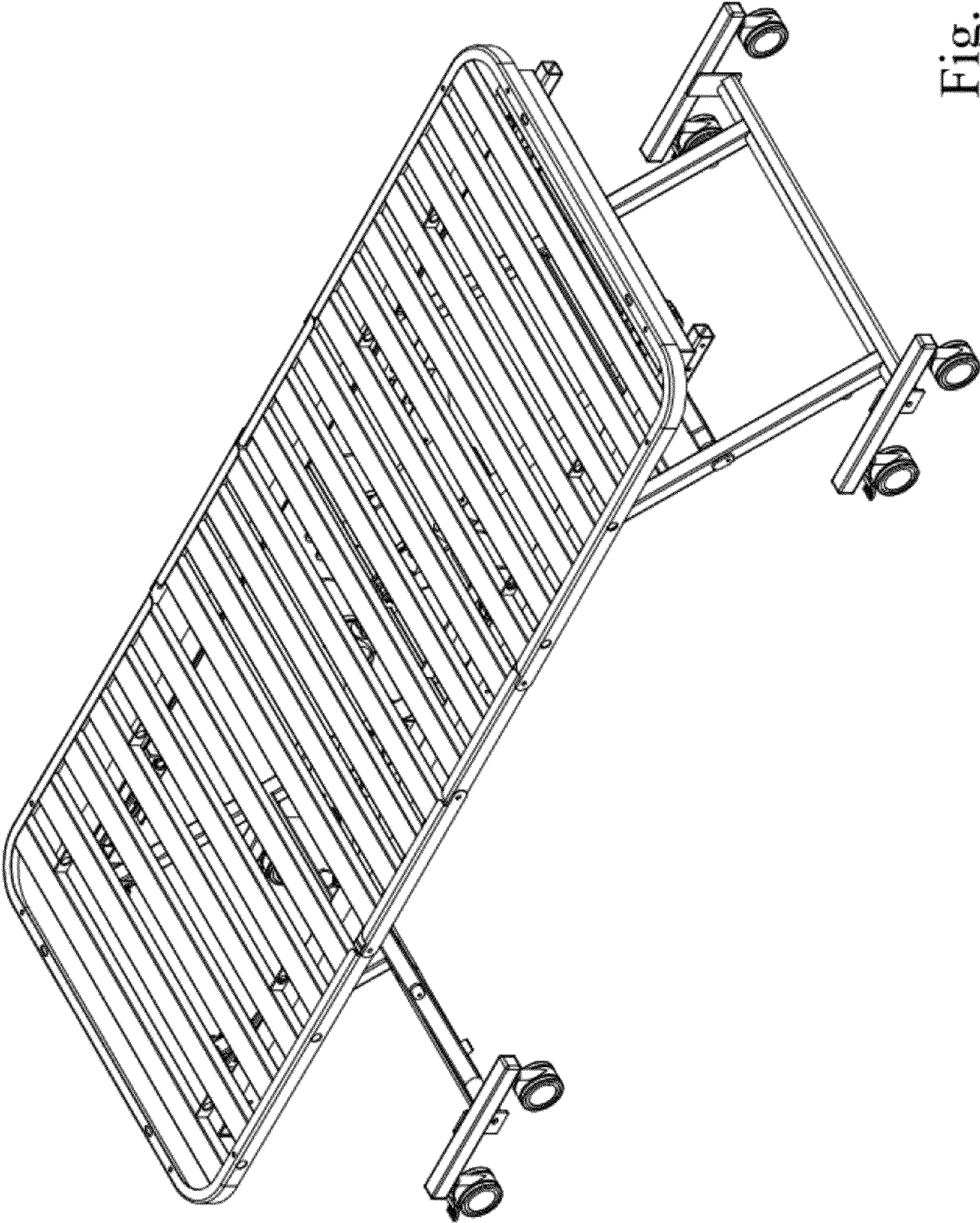


Fig. 5

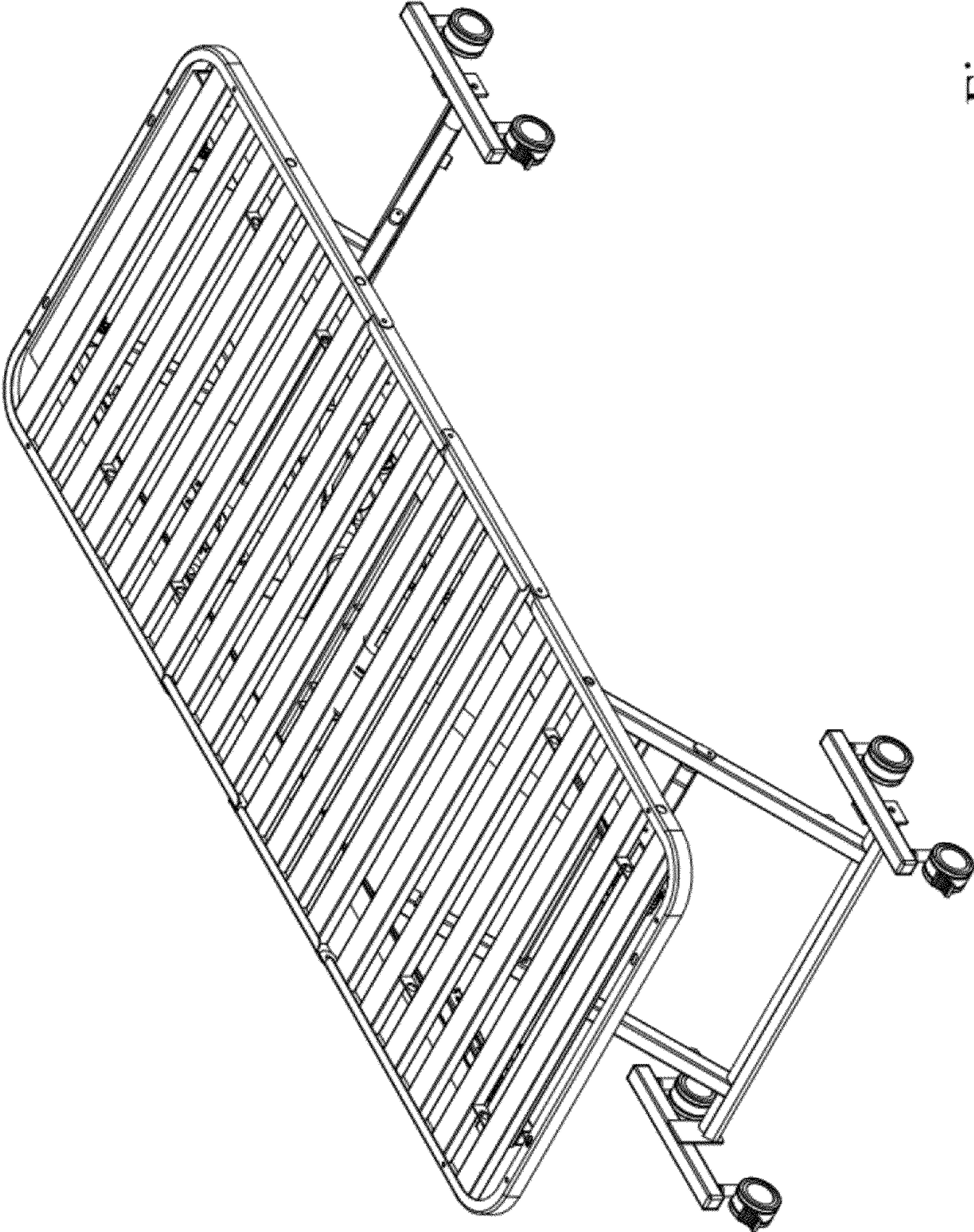


Fig. 6

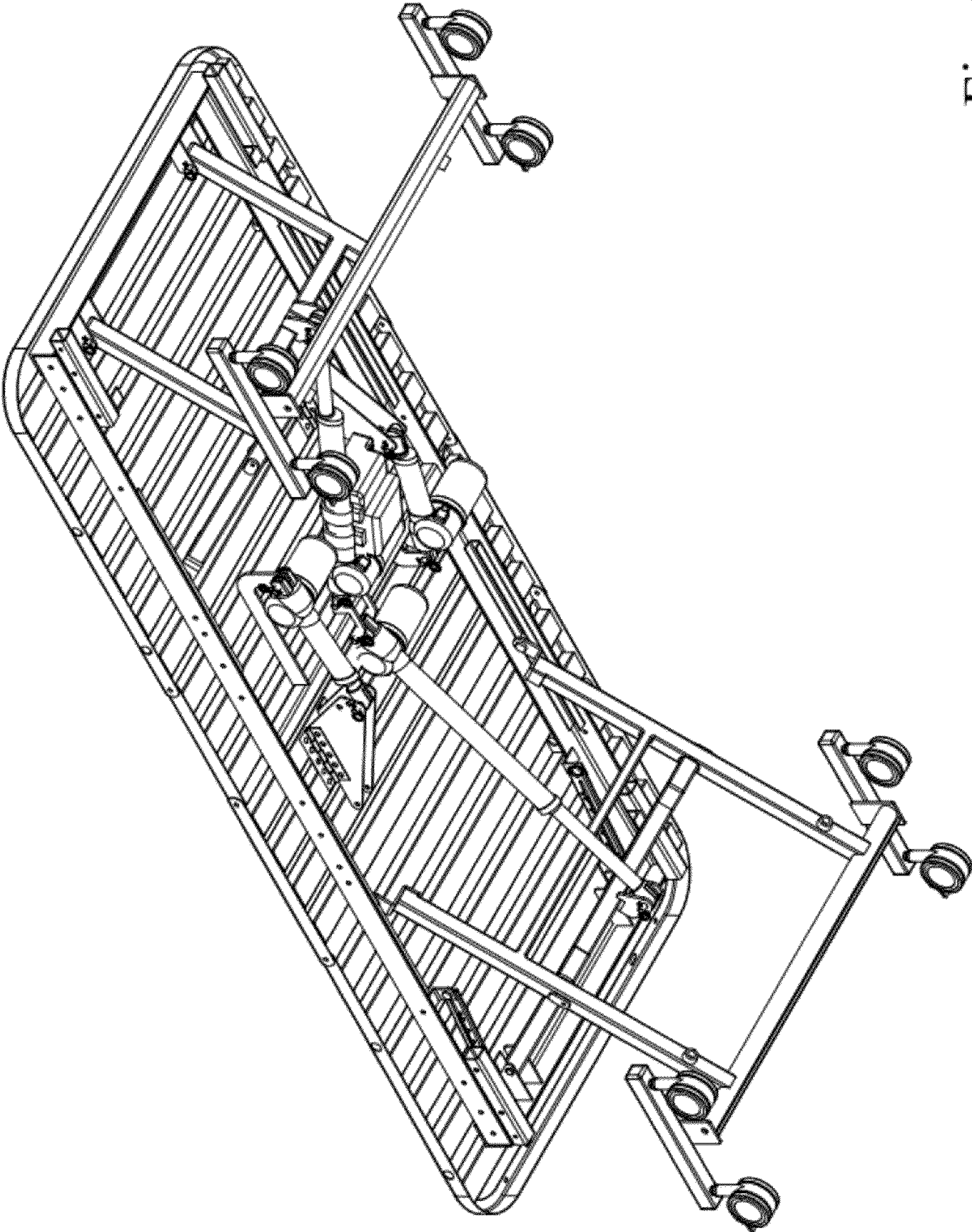


Fig. 7

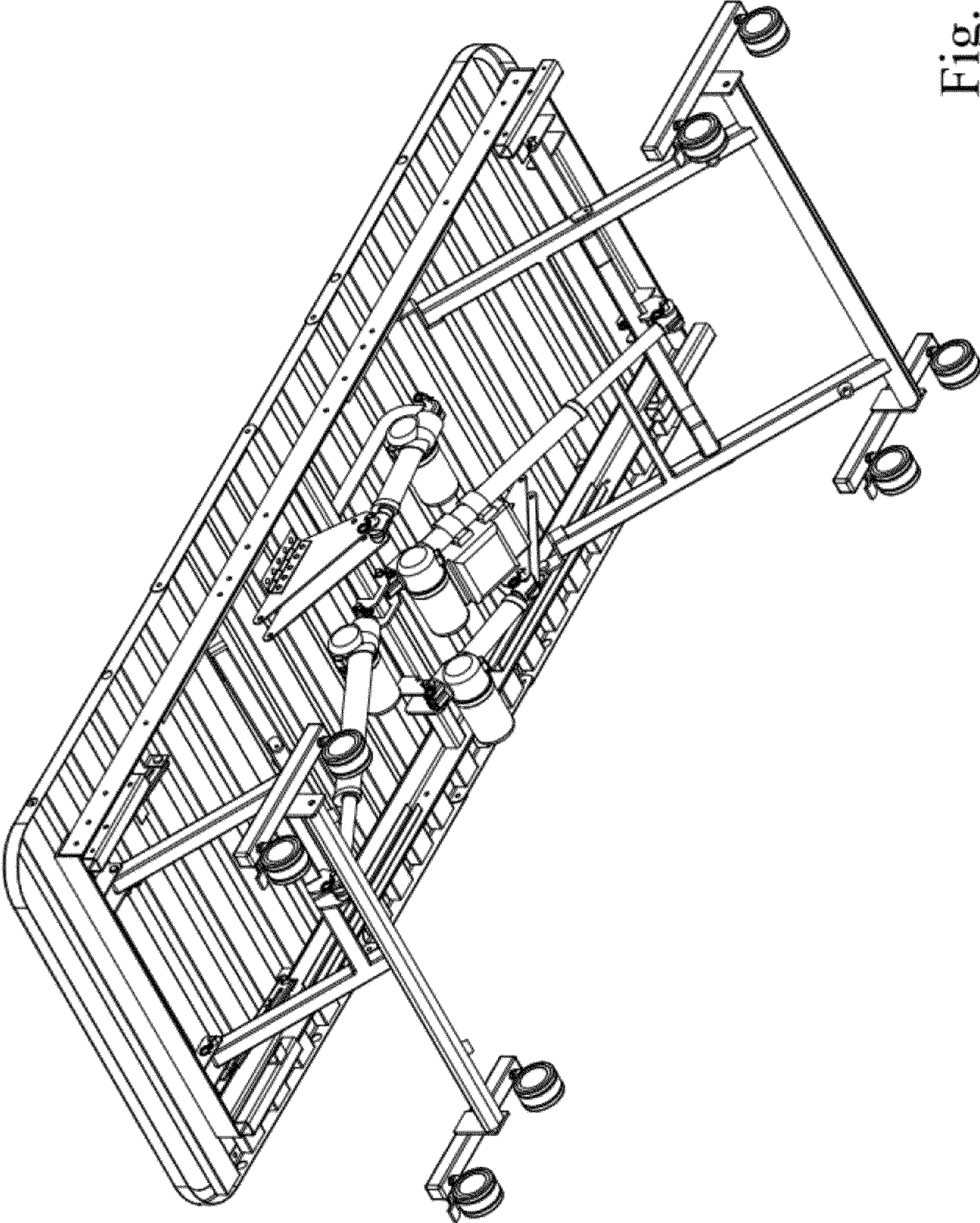


Fig. 8

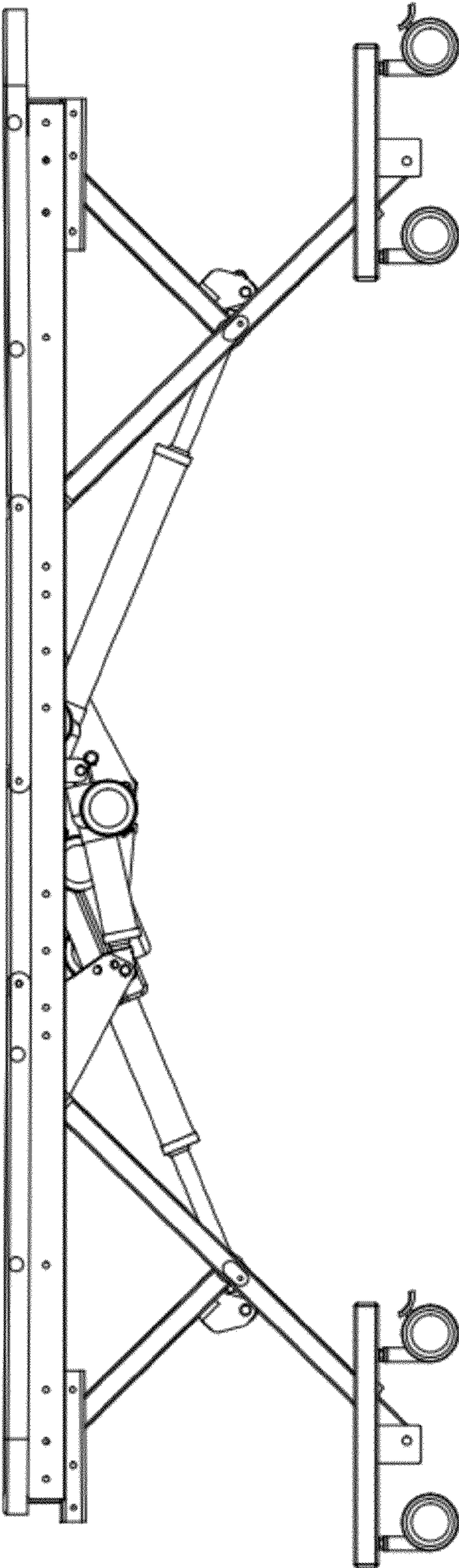


Fig. 9

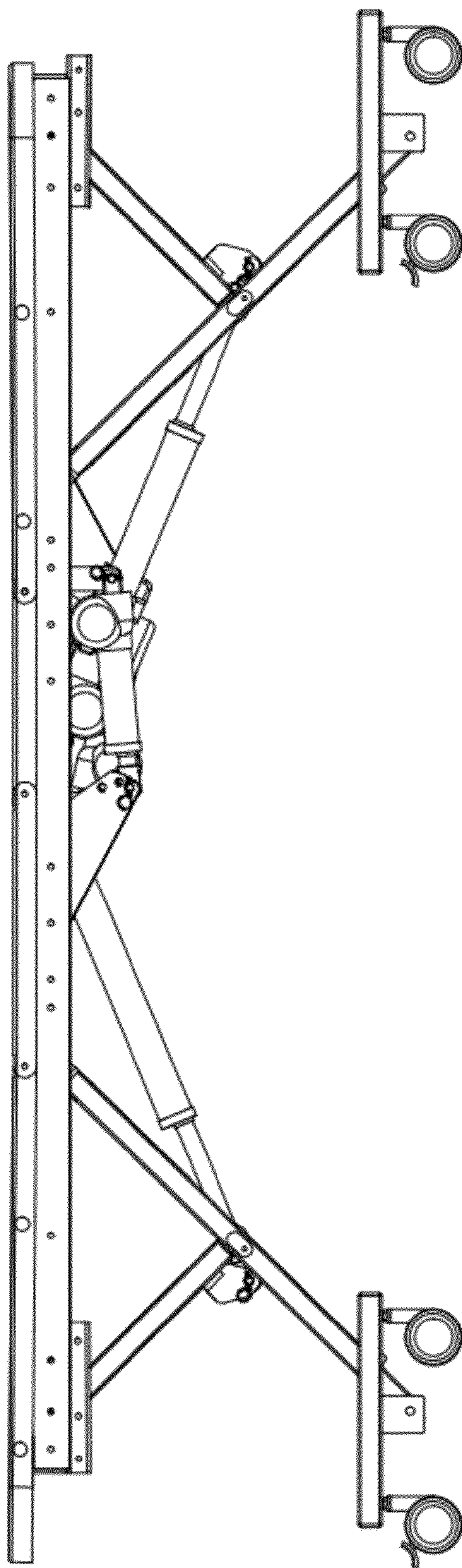


Fig. 10

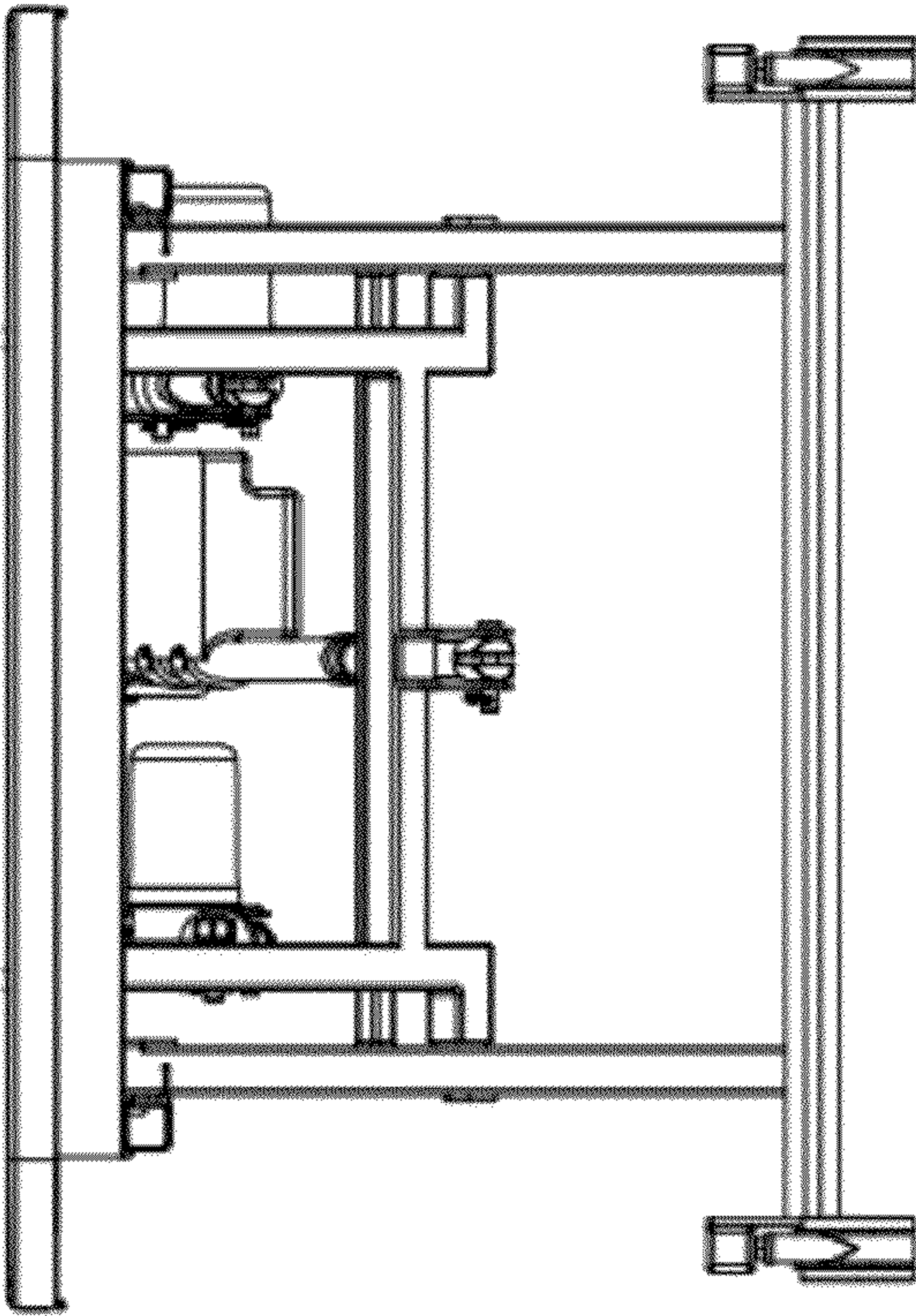


Fig. 11

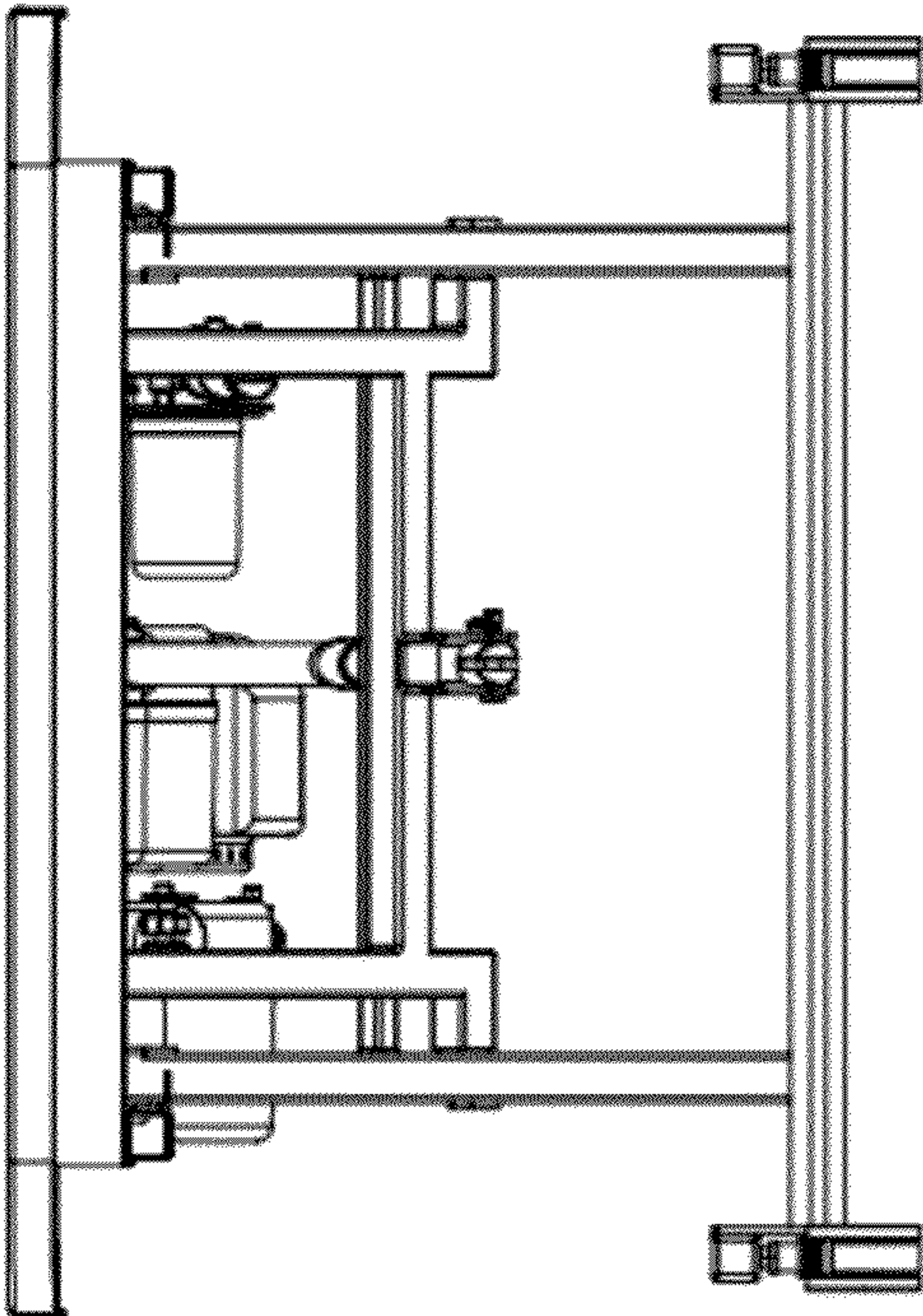


Fig. 12

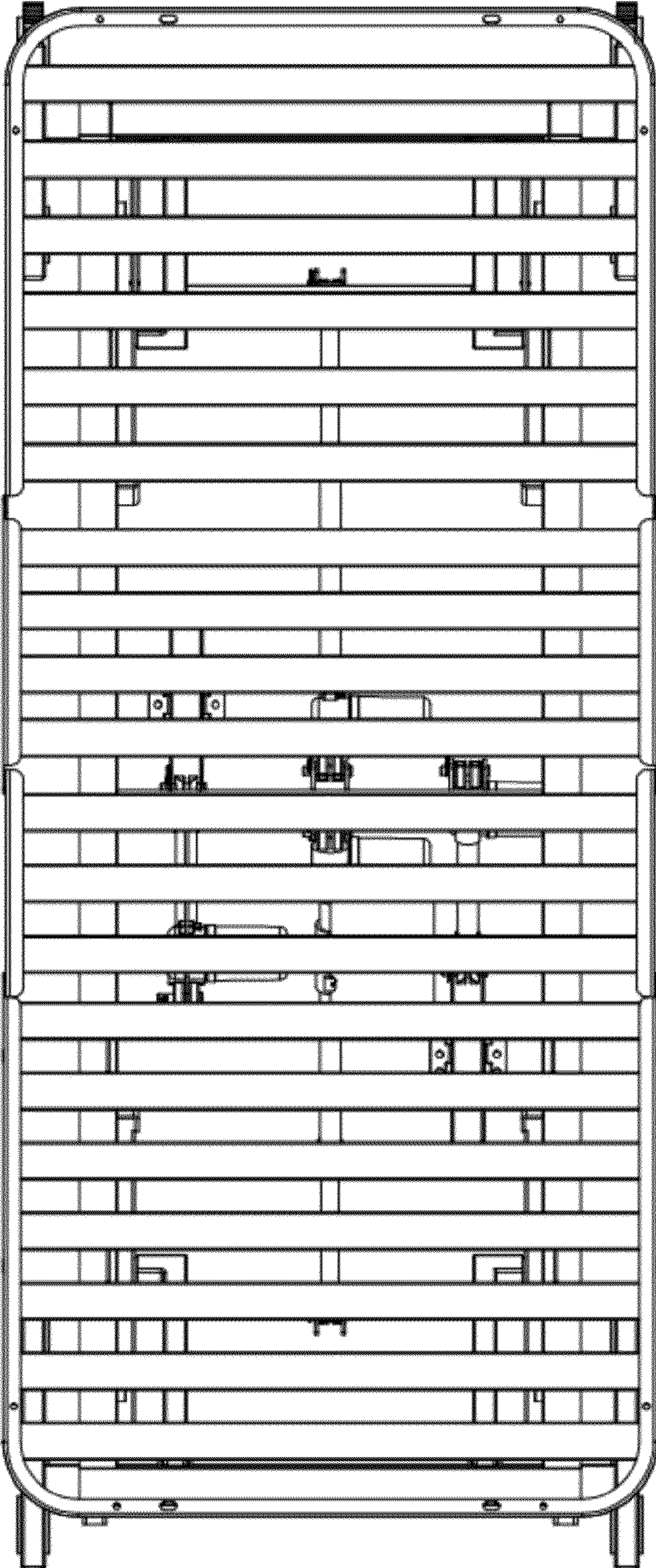


Fig. 13

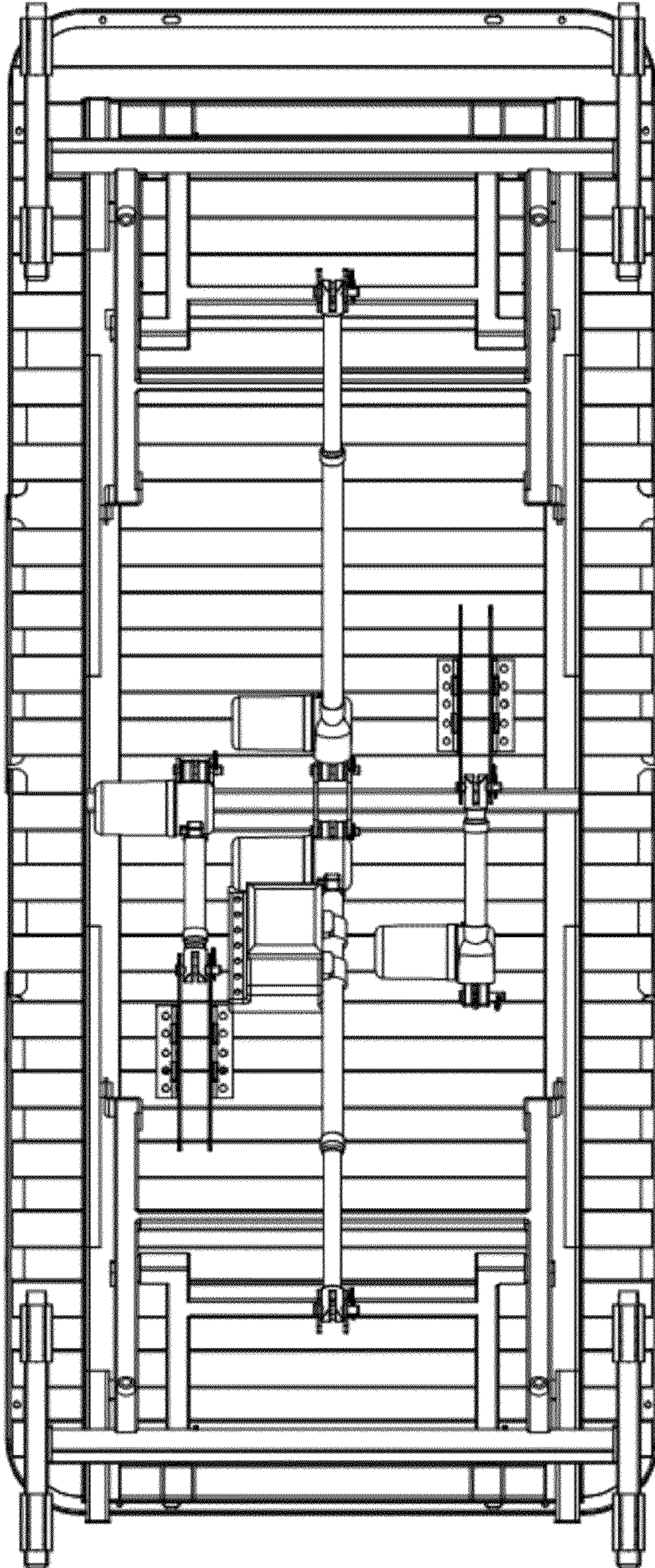


Fig. 14