

US00D661121S

(12) **United States Design Patent**
Houry et al.

(10) **Patent No.:** **US D661,121 S**
(45) **Date of Patent:** **** Jun. 5, 2012**

(54) **CRIB**
(75) Inventors: **Robert L. Houry**, Willowick, OH (US);
Alan L. Lytle, Campbellsburg, IN (US)

(73) Assignee: **Foundations Worldwide, Inc.**, Medina,
OH (US)

(**) Term: **14 Years**

(21) Appl. No.: **29/390,966**

(22) Filed: **May 2, 2011**

(51) **LOC (9) Cl.** **06-02**

(52) **U.S. Cl.** **D6/390**

(58) **Field of Classification Search** D6/382,
D6/383, 390, 391, 331, 503; 5/93.1, 97,
5/98.2, 99.1

See application file for complete search history.

(56) **References Cited**

U.S. PATENT DOCUMENTS

2,442,048	A *	5/1948	Kroll et al.	5/100
D365,932	S *	1/1996	Reynolds et al.	D6/331
D445,591	S *	7/2001	Zorzetto	D6/390
D579,696	S	11/2008	Houry et al.	
D590,194	S	4/2009	Houry et al.	
D595,073	S	6/2009	Houry et al.	

D616,216	S *	5/2010	Dumais	D6/390
D634,133	S *	3/2011	Fong	D6/390
2007/0157379	A1 *	7/2007	Lin	5/100

* cited by examiner

Primary Examiner — Janice Seeger

(74) *Attorney, Agent, or Firm* — Christopher L. Parmelee;
Walker & Jocke

(57) **CLAIM**

The ornamental design for a crib, as shown and described.

DESCRIPTION

FIG. 1 is an upper perspective view showing my new design for a crib.

FIG. 2 is a lower perspective view thereof.

FIG. 3 is front side plan view thereof, the back side being a mirror image.

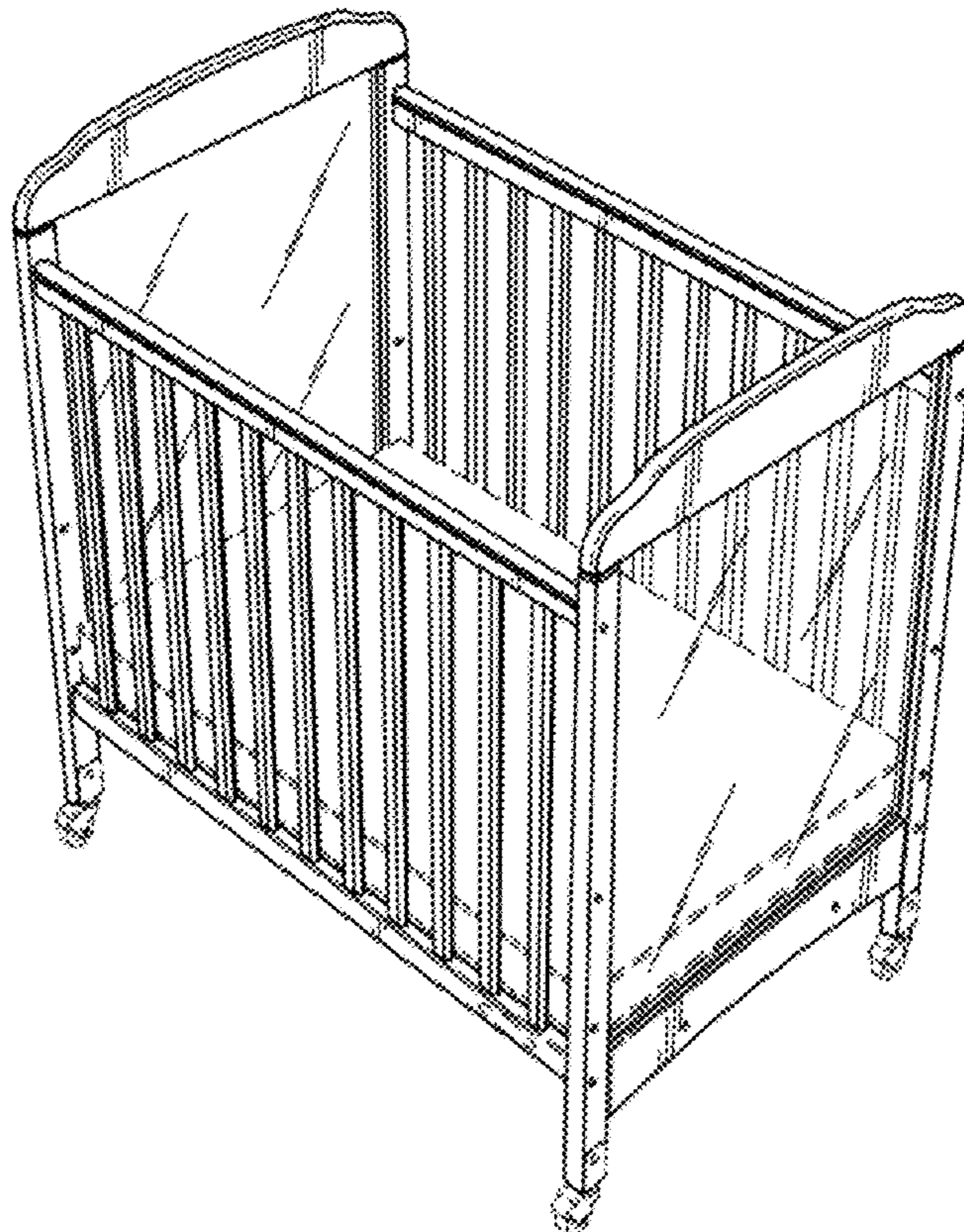
FIG. 4 is a right side plan view thereof, the left side being a mirror image.

FIG. 5 is a top side plan view thereof; and,

FIG. 6 is a bottom side plan view thereof.

The broken lines adjacent the shaded areas represent the boundaries of the claimed design, while the other broken lines representing the outline of portions of the crib depict environmental subject matter only, and form no part of the claimed design.

1 Claim, 6 Drawing Sheets



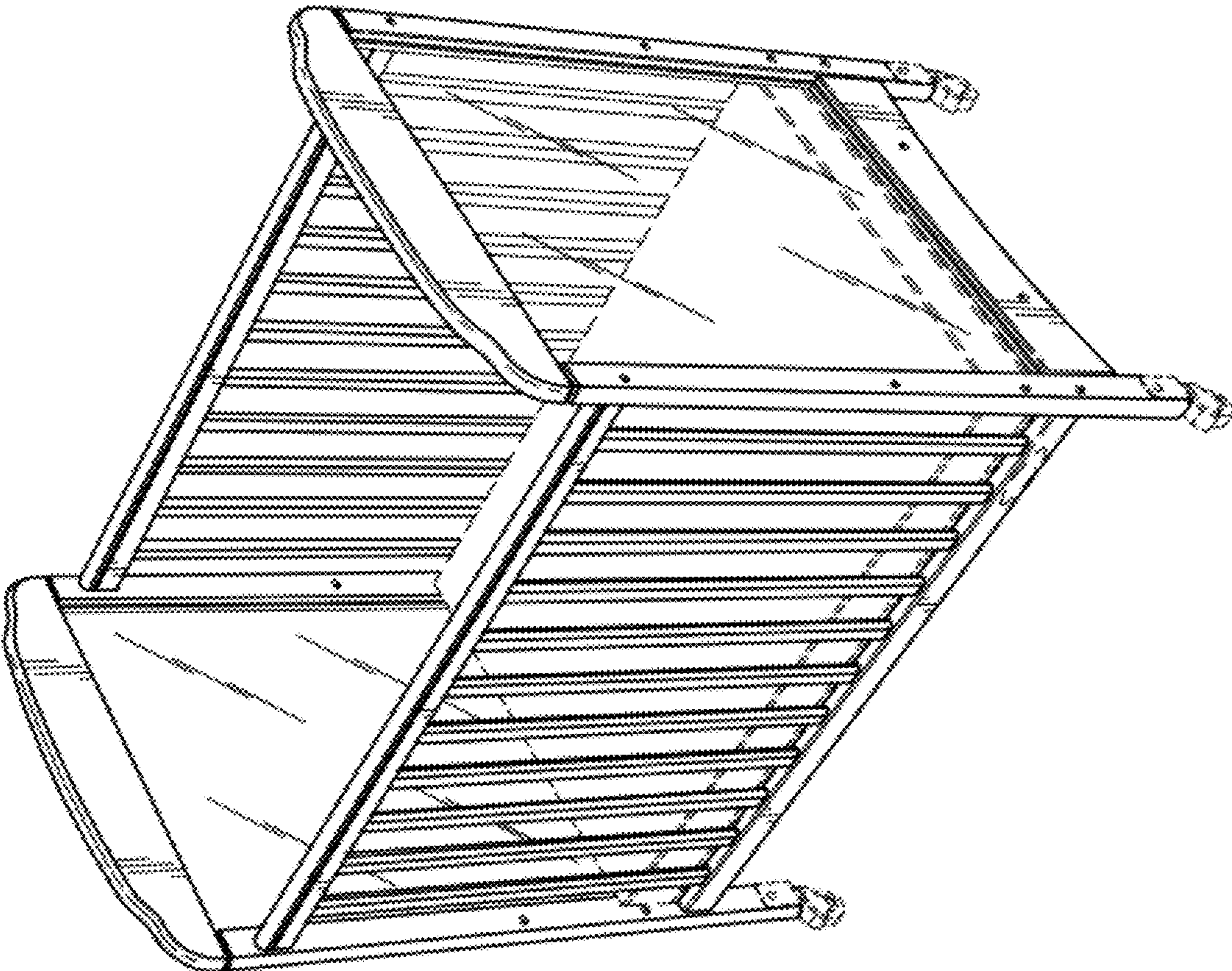


FIG. 1

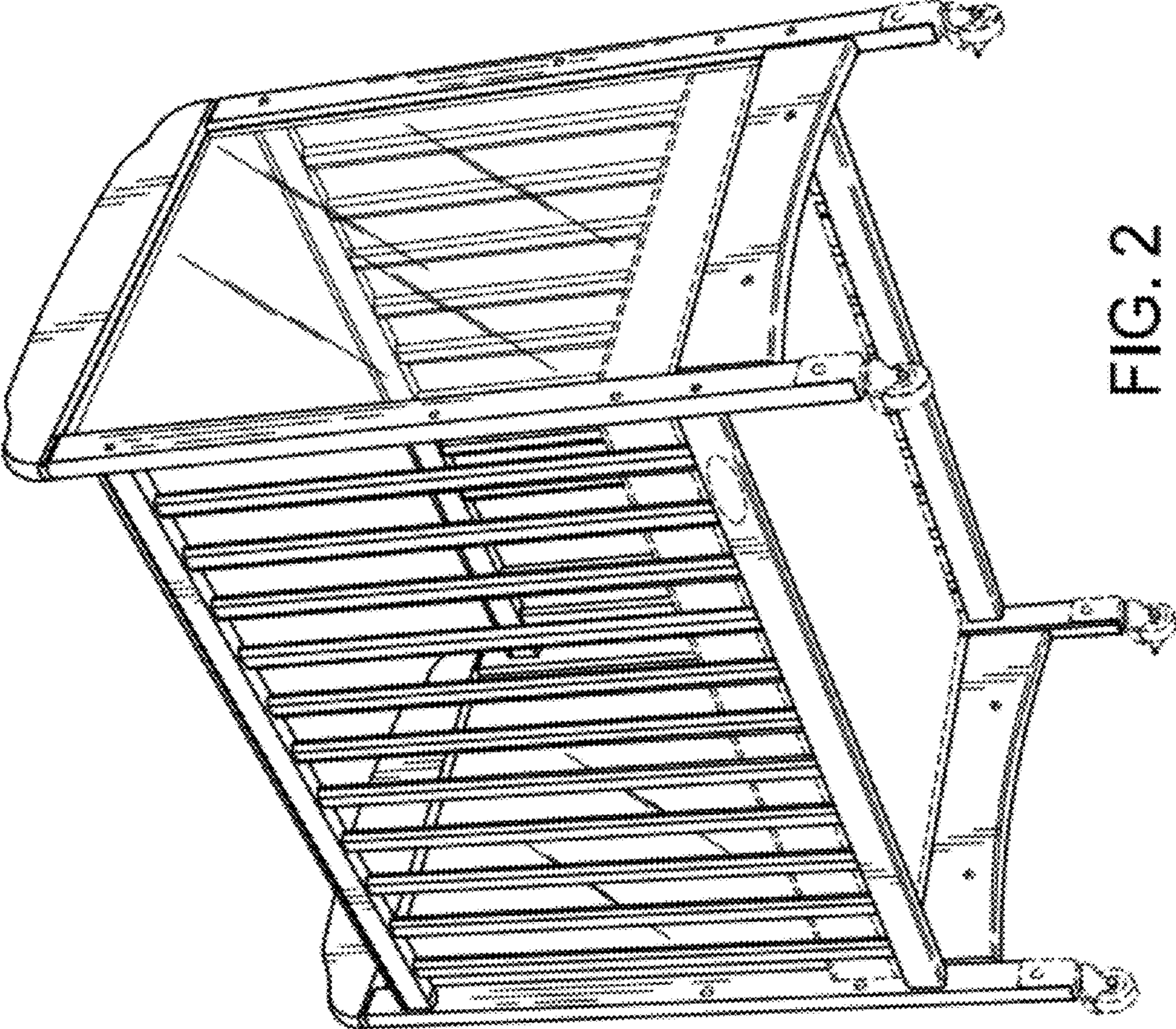


FIG. 2

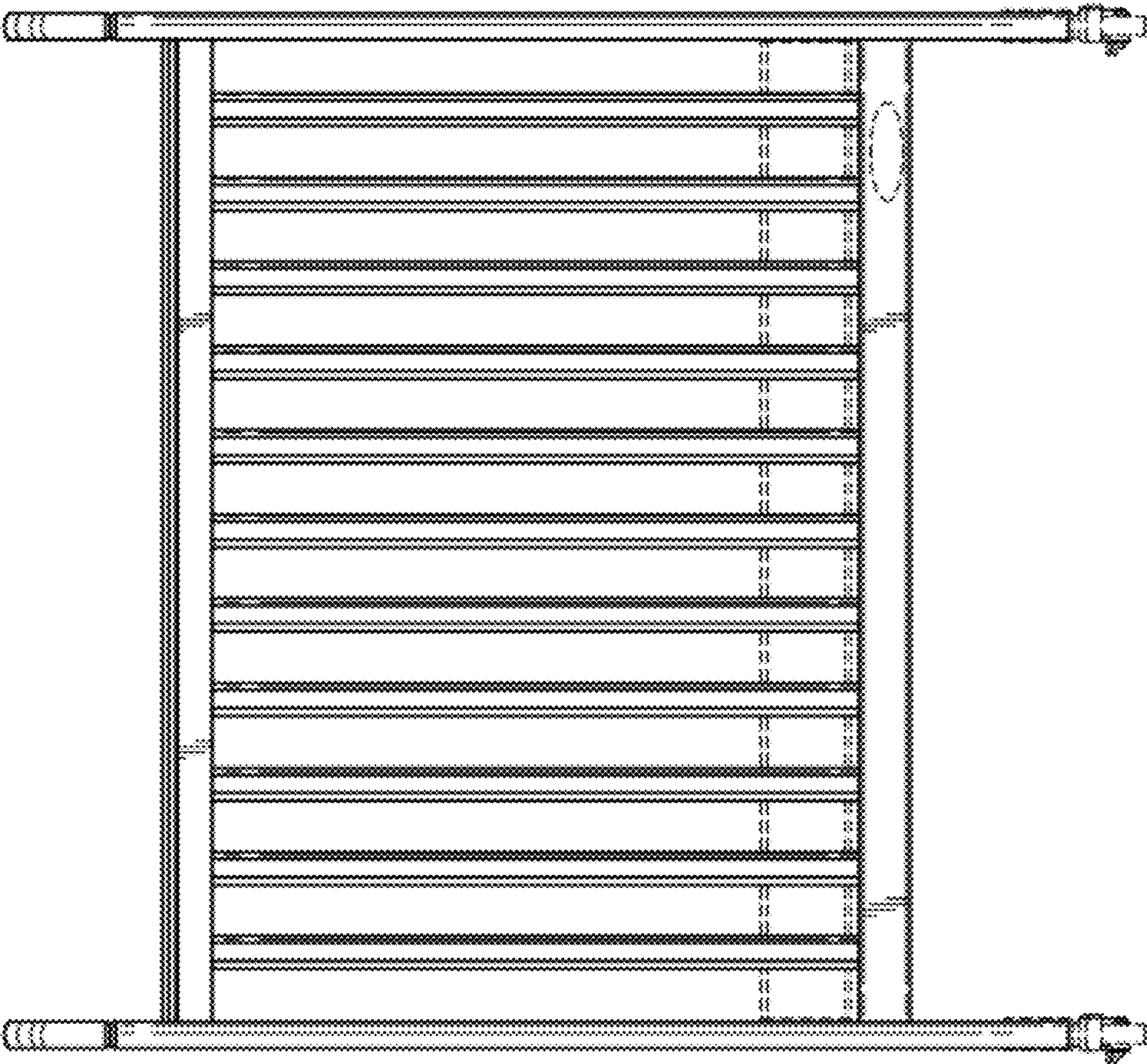


FIG. 3

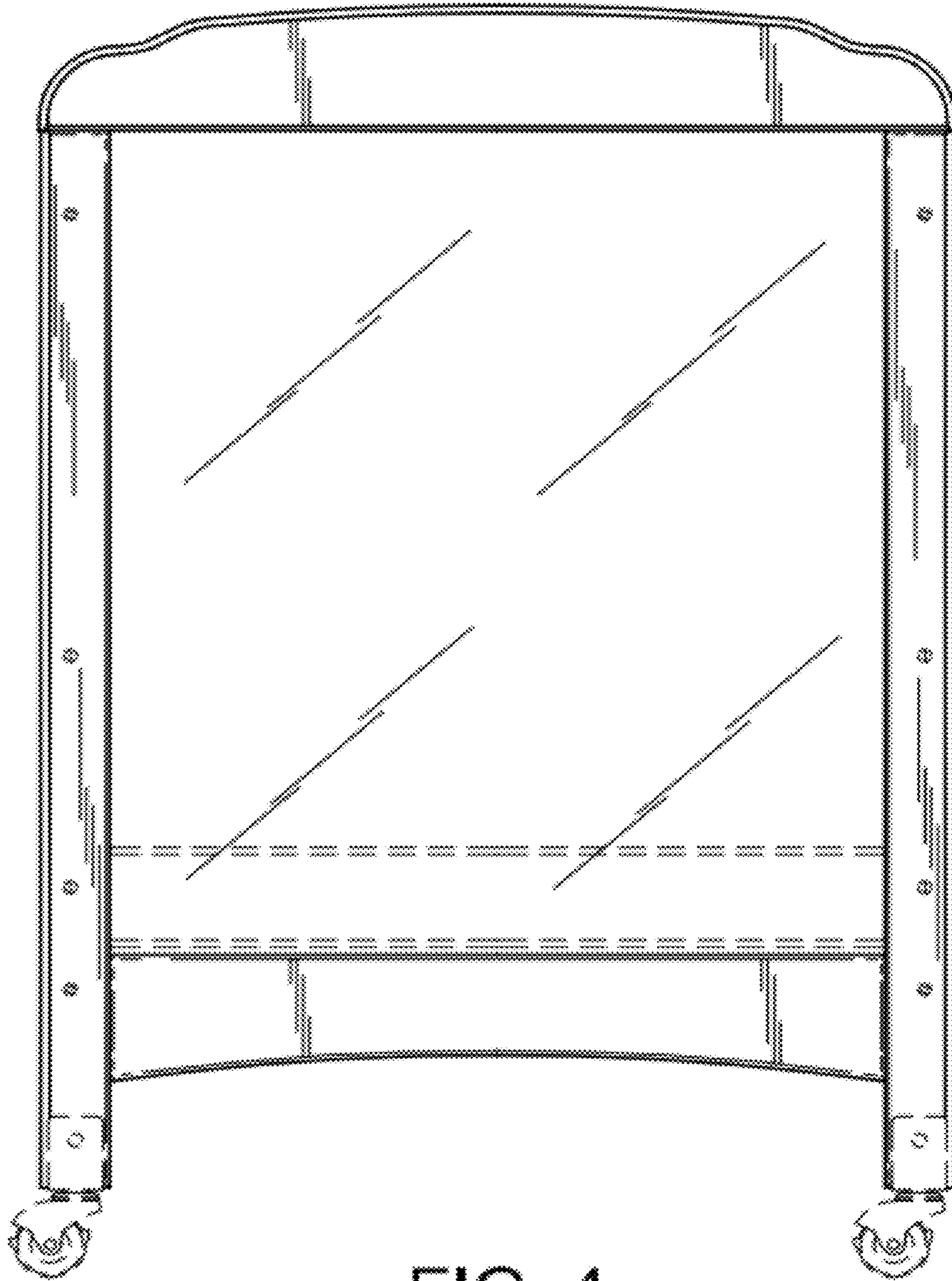


FIG. 4

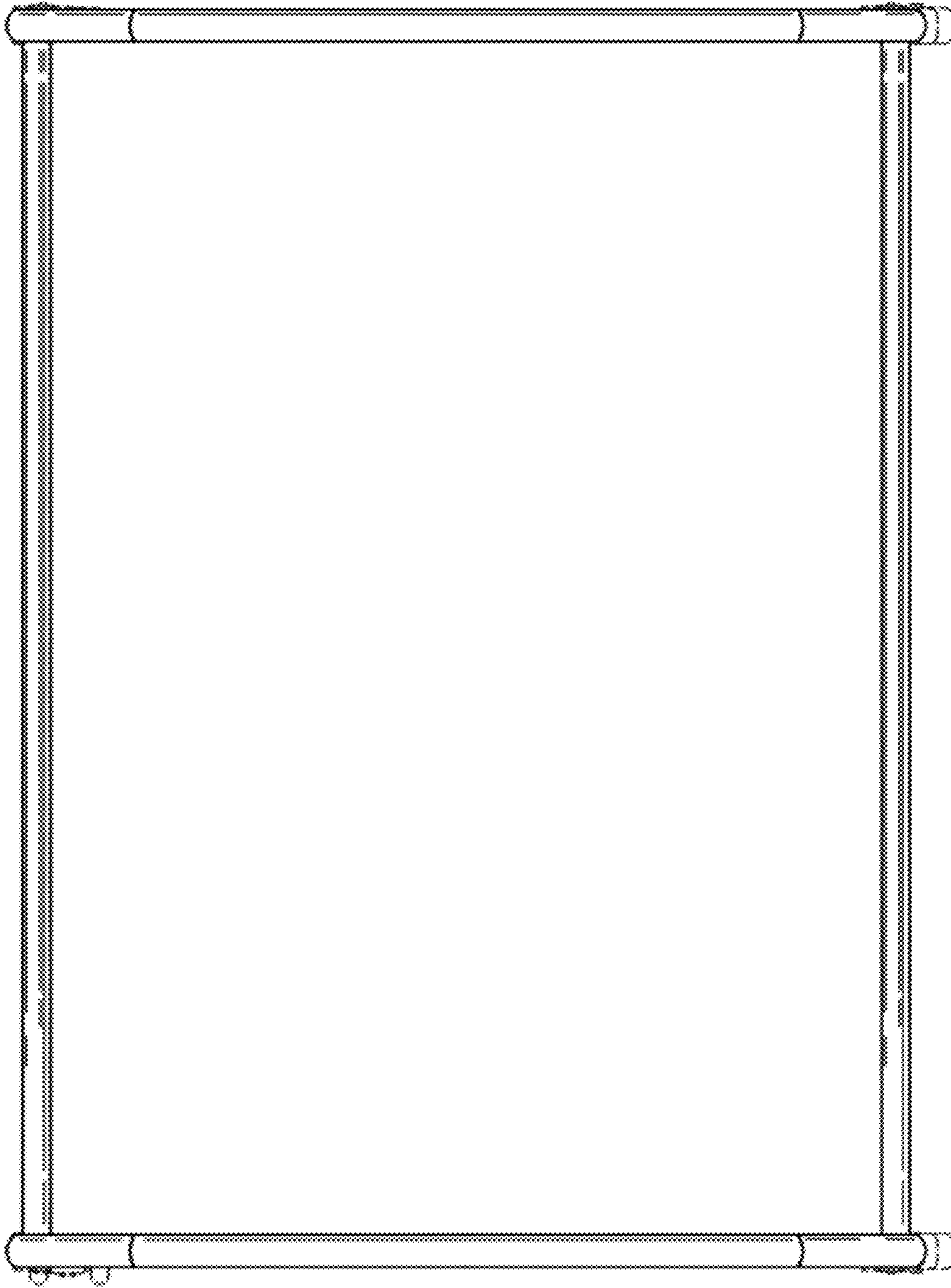


FIG. 5

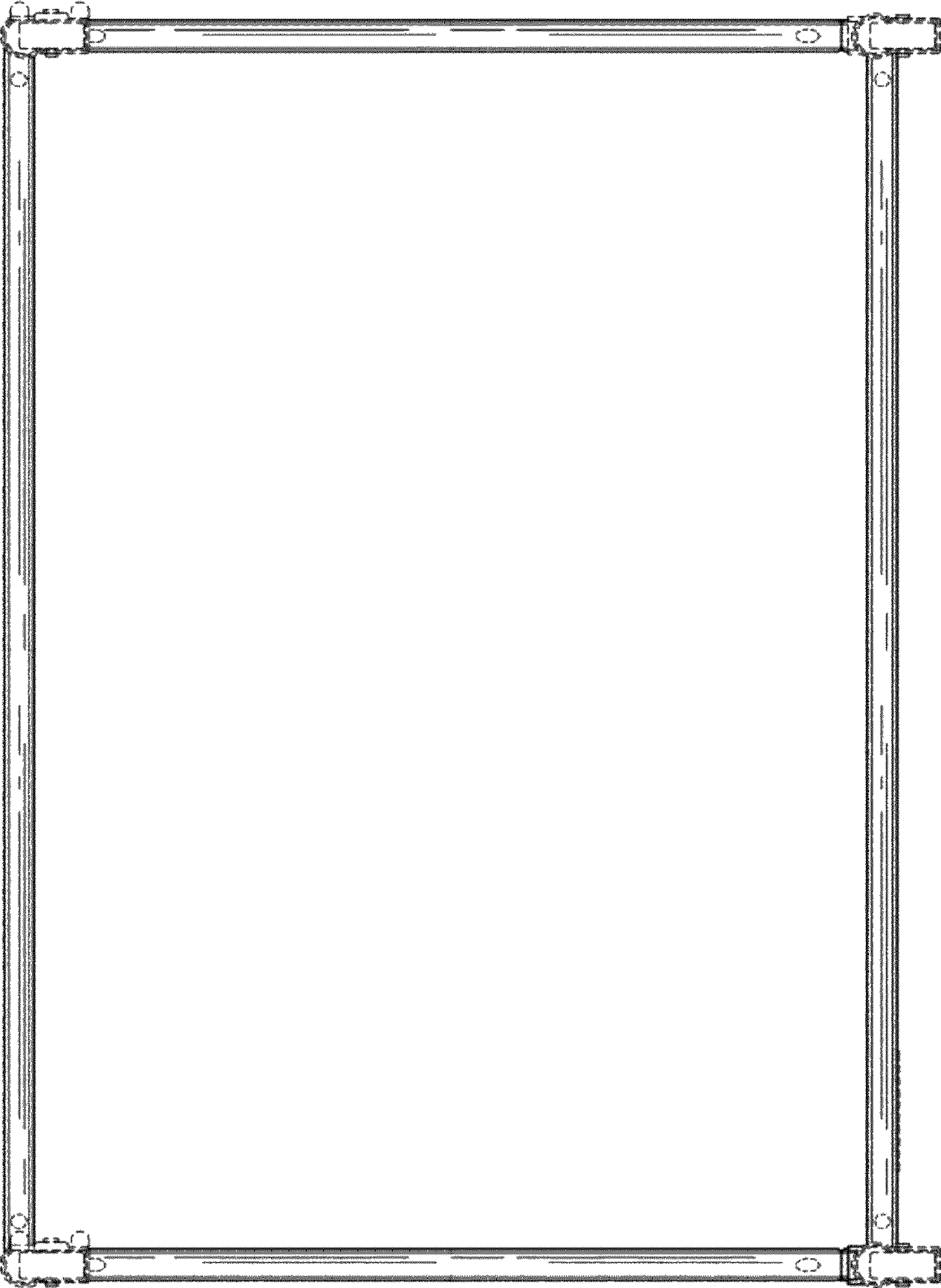


FIG. 6