



US00D661120S

(12) **United States Design Patent**
Su

(10) **Patent No.:** **US D661,120 S**
(45) **Date of Patent:** **** Jun. 5, 2012**

(54) **CHAIR**

(76) Inventor: **Tung-Hua Su**, Tainan Hsien (TW)

(**) Term: **14 Years**

(21) Appl. No.: **29/388,845**

(22) Filed: **Apr. 2, 2011**

(51) **LOC (9) Cl.** **06-01**

(52) **U.S. Cl.** **D6/379**

(58) **Field of Classification Search** D6/334-336,
D6/364, 365, 366, 367, 374, 376, 379, 380,
D6/500-502; 297/411.2, 411.28, 445.1,
297/446.1, 452.13, 452.2, 452.29, 452.46,
297/452.64

See application file for complete search history.

(56) **References Cited**

U.S. PATENT DOCUMENTS

D475,544 S *	6/2003	Chadwick et al.	D6/380
D476,495 S *	7/2003	Tsai	D6/380
D513,902 S *	1/2006	Piretti	D6/380
D517,828 S *	3/2006	Magnani et al.	D6/380
D520,769 S *	5/2006	Bernett et al.	D6/379

D544,235 S *	6/2007	Chen	D6/379
D557,515 S *	12/2007	Breen	D6/376
D573,817 S *	7/2008	Su	D6/502
D575,542 S *	8/2008	Igarashi	D6/380
D587,027 S *	2/2009	Igarashi	D6/380
D591,526 S *	5/2009	Breen	D6/379

* cited by examiner

Primary Examiner — Mimososa De

(57) **CLAIM**

The ornamental design for the chair, as shown and described.

DESCRIPTION

FIG. 1 is a perspective view of the chair showing my new design;

FIG. 2 is a front elevation view thereof;

FIG. 3 is a rear elevation view thereof;

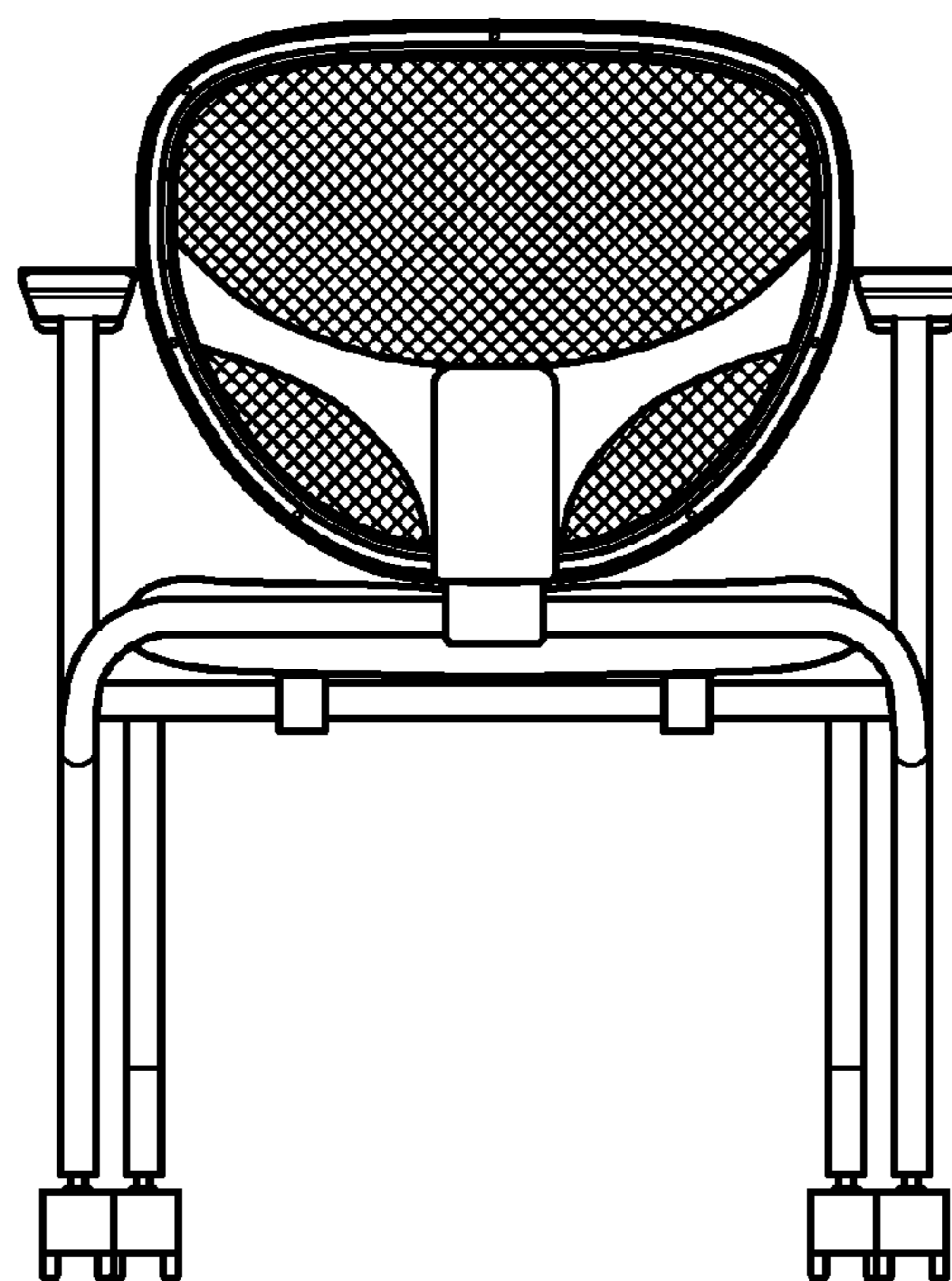
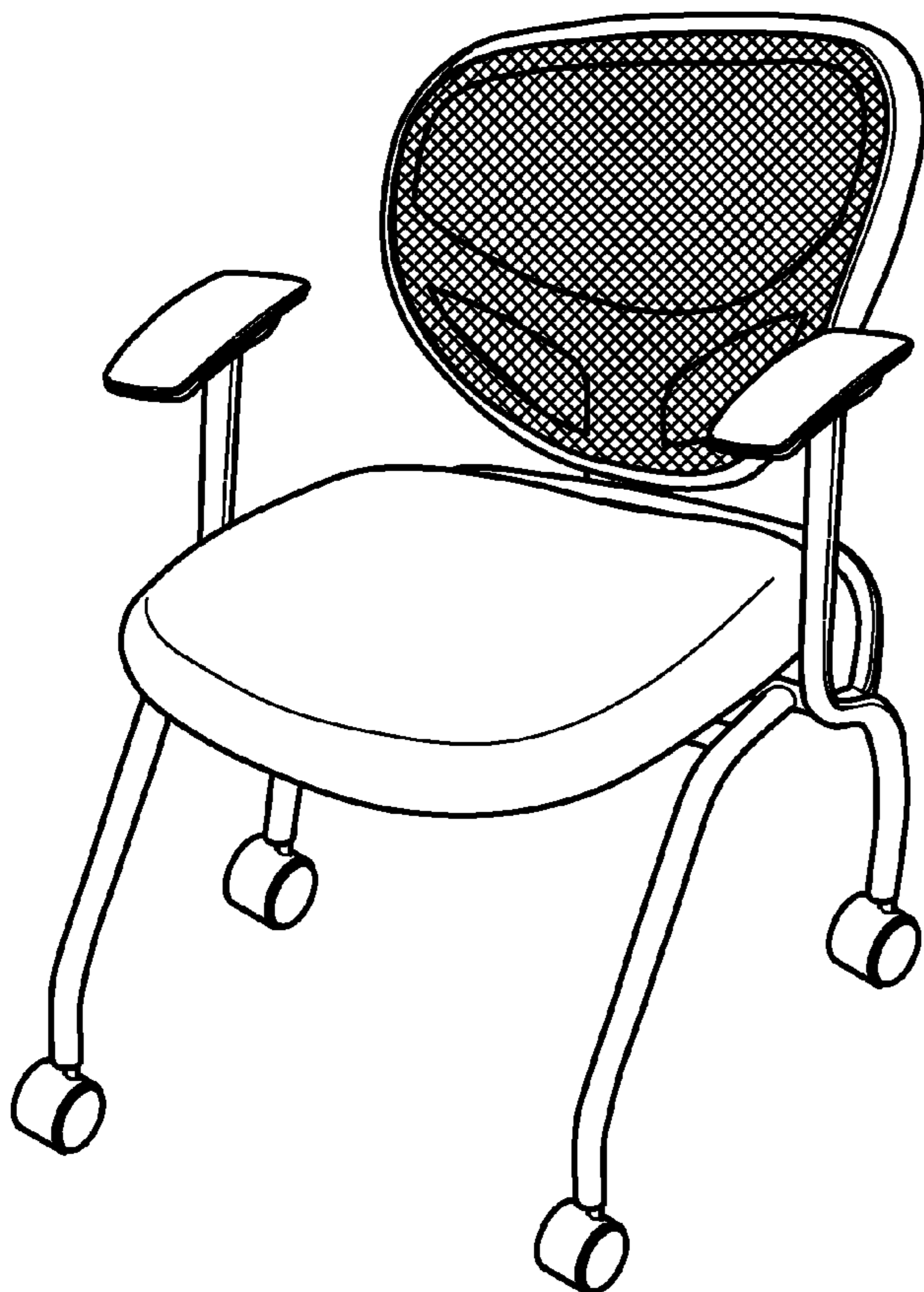
FIG. 4 is a left side elevation view thereof;

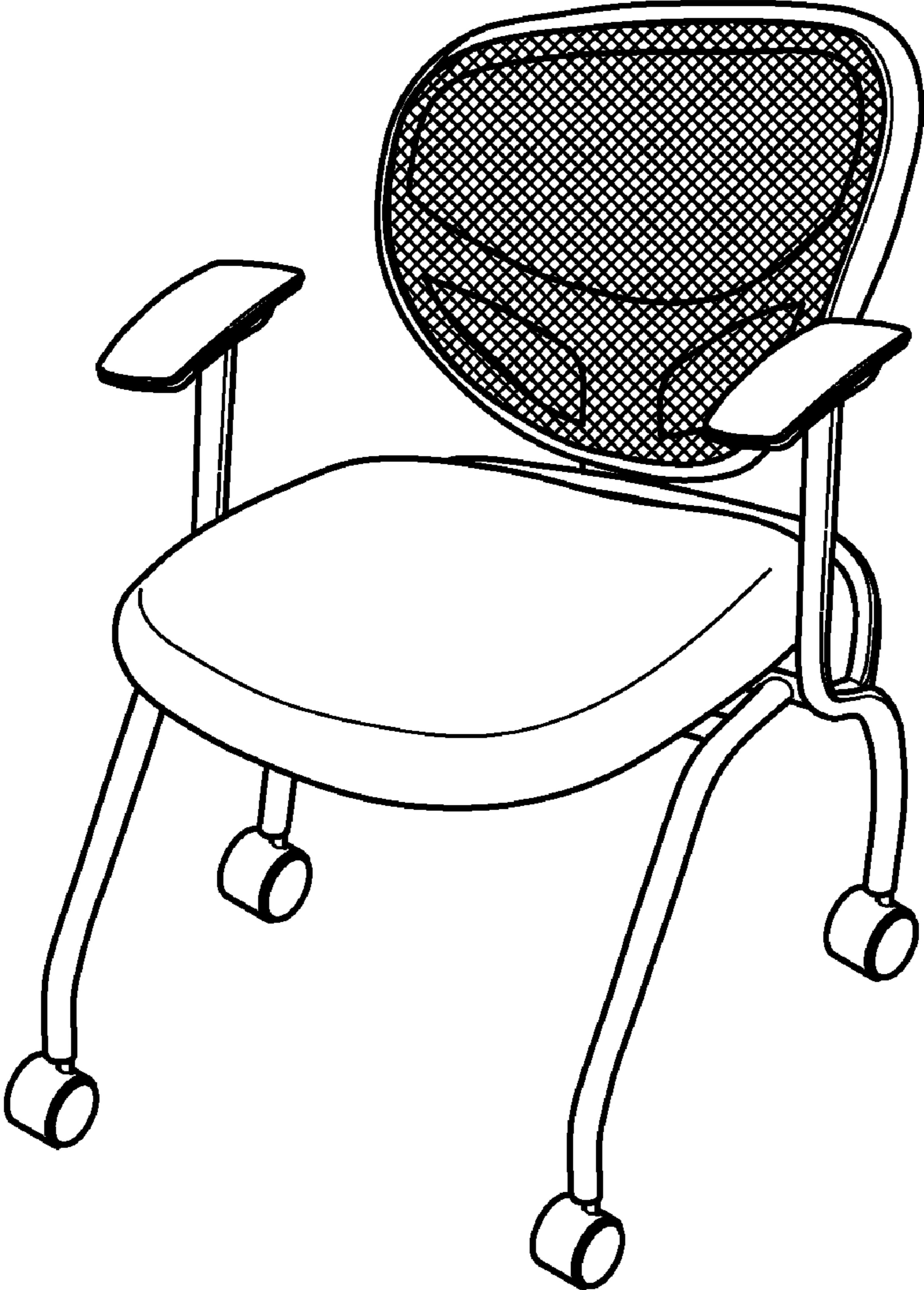
FIG. 5 is a right side elevation view thereof;

FIG. 6 is a top plan view thereof; and,

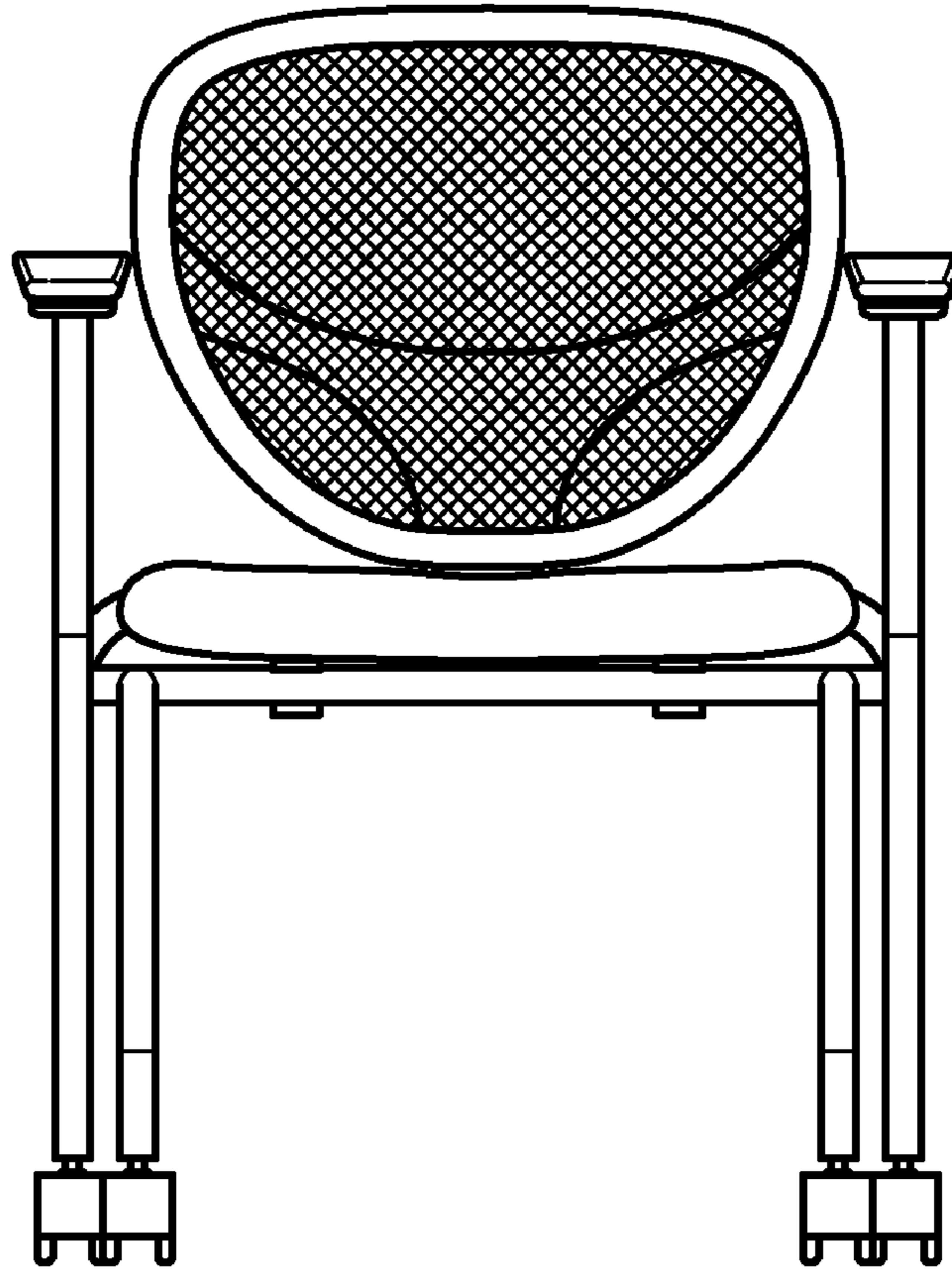
FIG. 7 is a bottom plan view thereof.

1 Claim, 6 Drawing Sheets

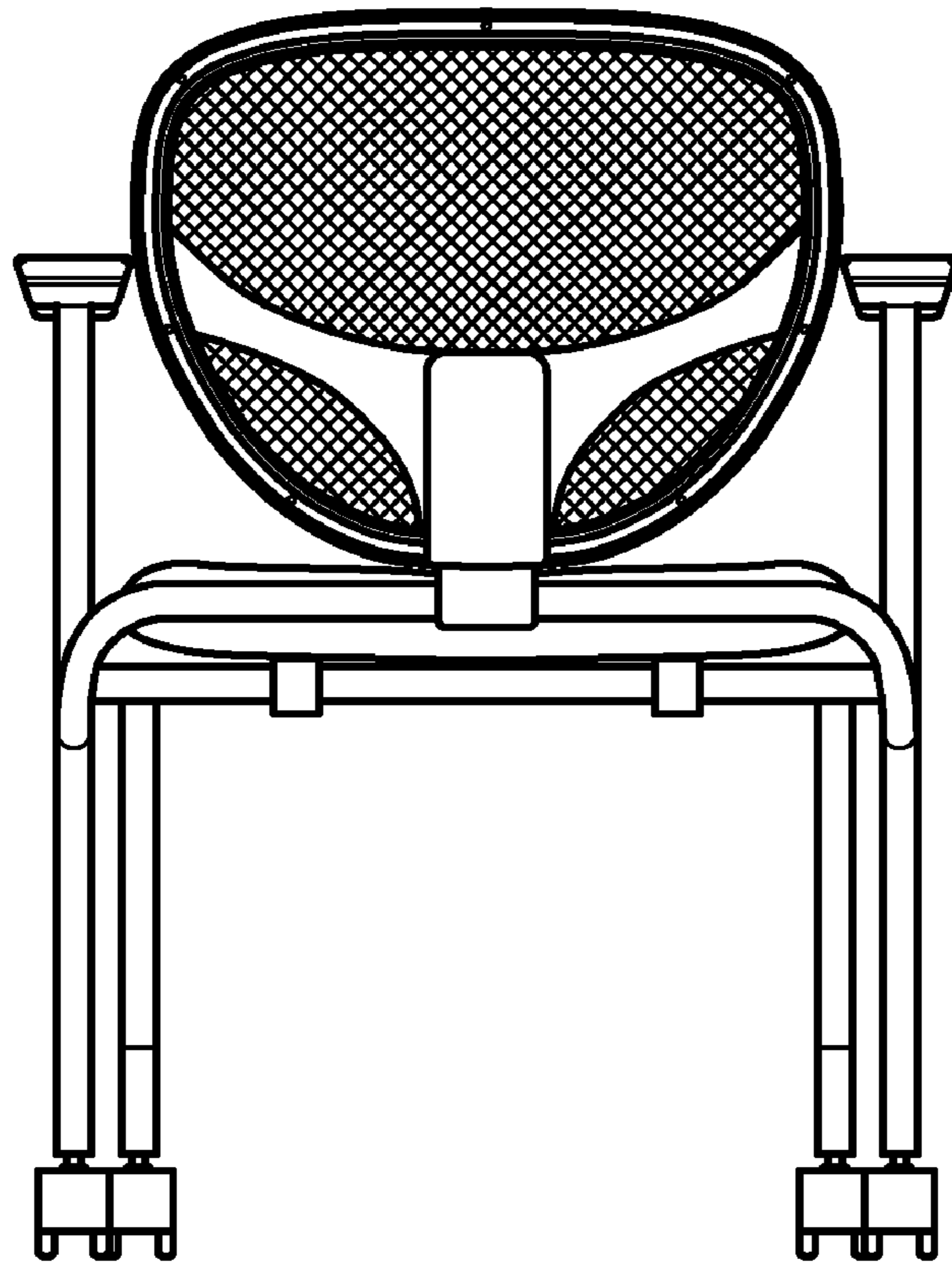




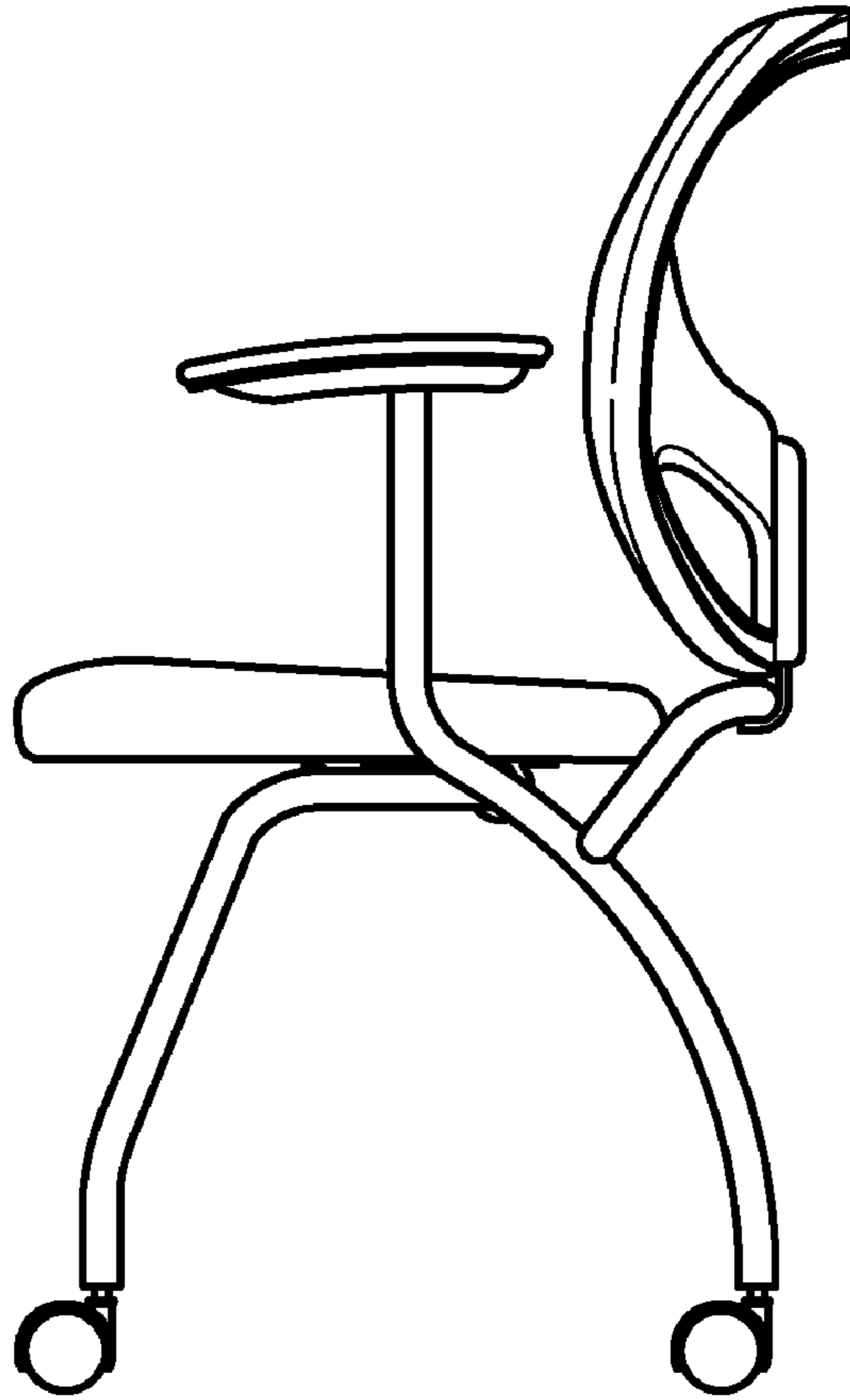
F I G . 1



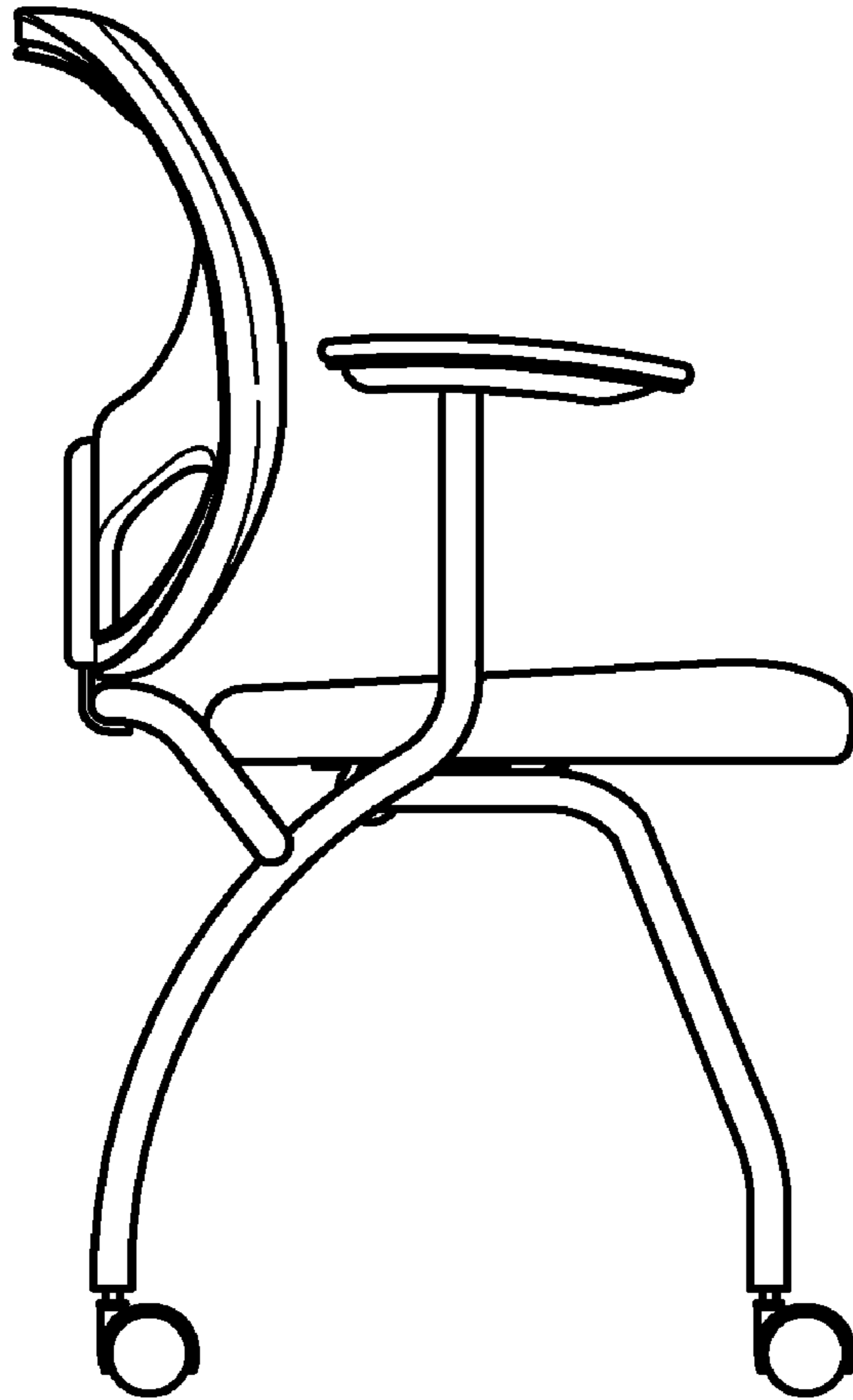
F I G . 2



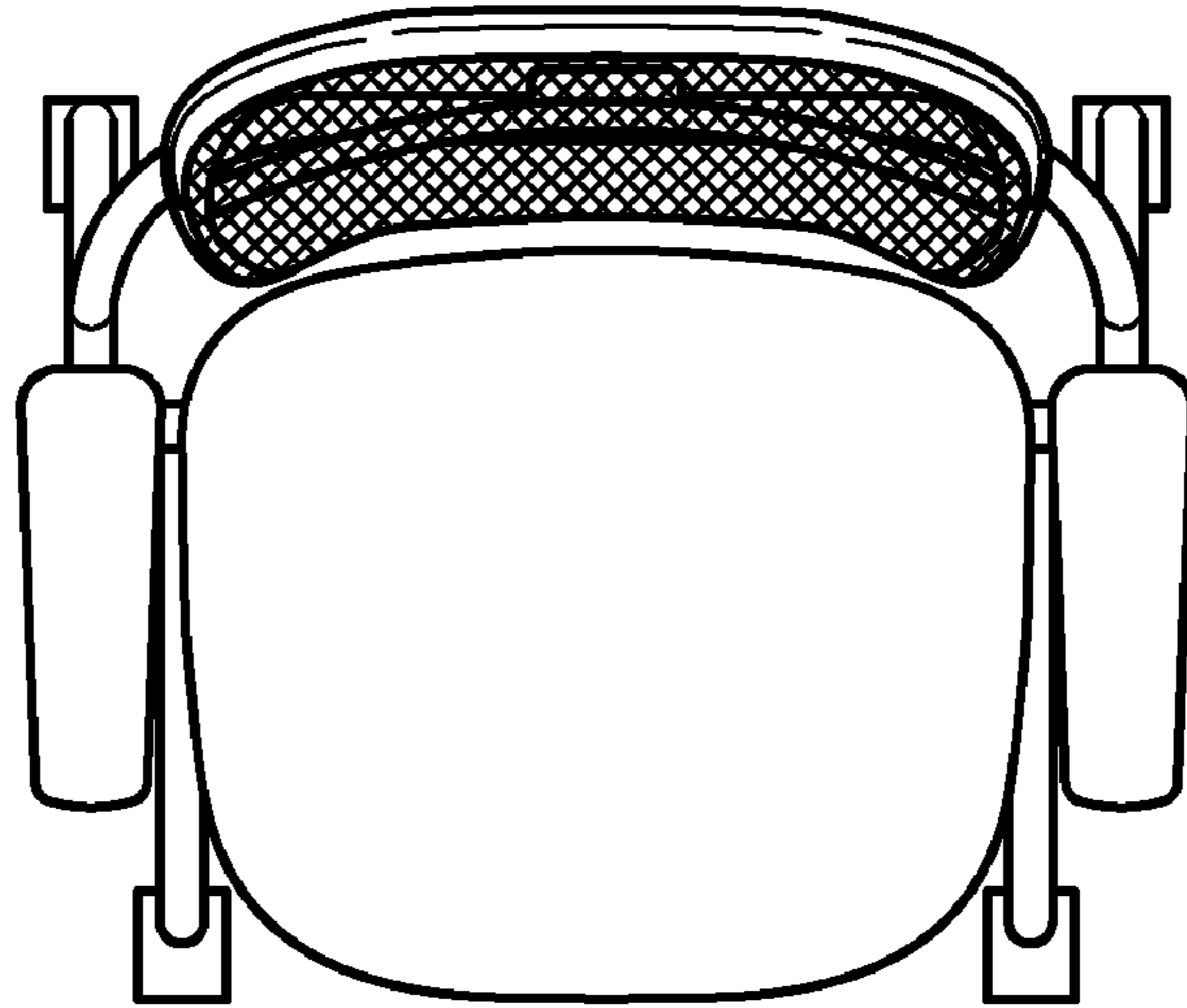
F I G . 3



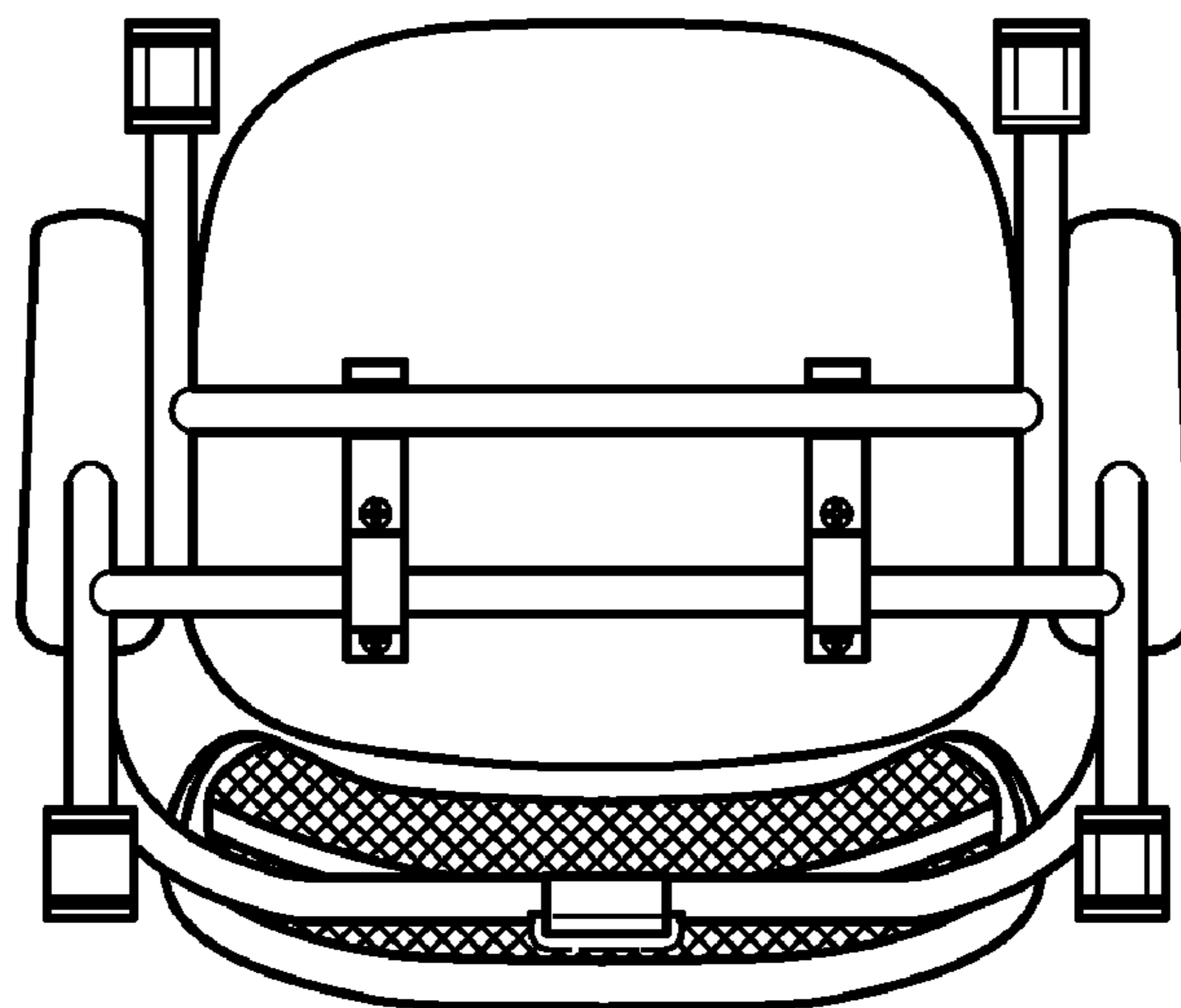
F I G . 4



F I G . 5



F I G . 6



F I G . 7