

US00D661115S

(12) **United States Design Patent**
Wada et al.

(10) **Patent No.:** **US D661,115 S**
(45) **Date of Patent:** **** Jun. 5, 2012**

(54) **VEHICLE SEAT**

FOREIGN PATENT DOCUMENTS

(75) Inventors: **Hirofumi Wada**, Shimotsuke (JP);
Yasuhiro Yanagida, Kawasaki (JP)

JP 1064058 S 3/2000

* cited by examiner

(73) Assignee: **Komatsu Ltd.** (JP)

Primary Examiner — Ricky Pham

(**) Term: **14 Years**

(74) *Attorney, Agent, or Firm* — Schwegman, Lundberg & Woessner, P.A.

(21) Appl. No.: **29/362,691**

(22) Filed: **May 28, 2010**

(51) **LOC (9) Cl.** **06-01**

(52) **U.S. Cl.** **D6/356**

(58) **Field of Classification Search** D6/334–336,
D6/356–369, 370–380, 498, 500–502, 601;
297/284.4–284.5, 291, 297–299, 300.4–300.5,
297/301.3, 354.1, 411.2, 411.27–411.29,
297/452.13, 452.19, 452.21, 452.29, 452.3,
297/452.56, 452.64

See application file for complete search history.

(57) **CLAIM**

The ornamental design for a vehicle seat, as shown and described.

DESCRIPTION

FIG. 1 is a perspective view of a vehicle seat showing our new design;

FIG. 2 is a front elevational view thereof;

FIG. 3 is a rear elevational view thereof;

FIG. 4 is a top plan view thereof;

FIG. 5 is a bottom plan view thereof;

FIG. 6 is a right side elevational view thereof; and,

FIG. 7 is a left side elevational view thereof.

The lightest contrast in FIGS. 1 through 7 is shown to illustrate environment, and forms no part of the claimed design.

The broken lines in FIGS. 1 through 7 are shown for illustrative purposes only and form no part of the claimed design. The stippling in FIGS. 1 through 7 is provided to represent a color contrast, and no specific colors are hereby claimed.

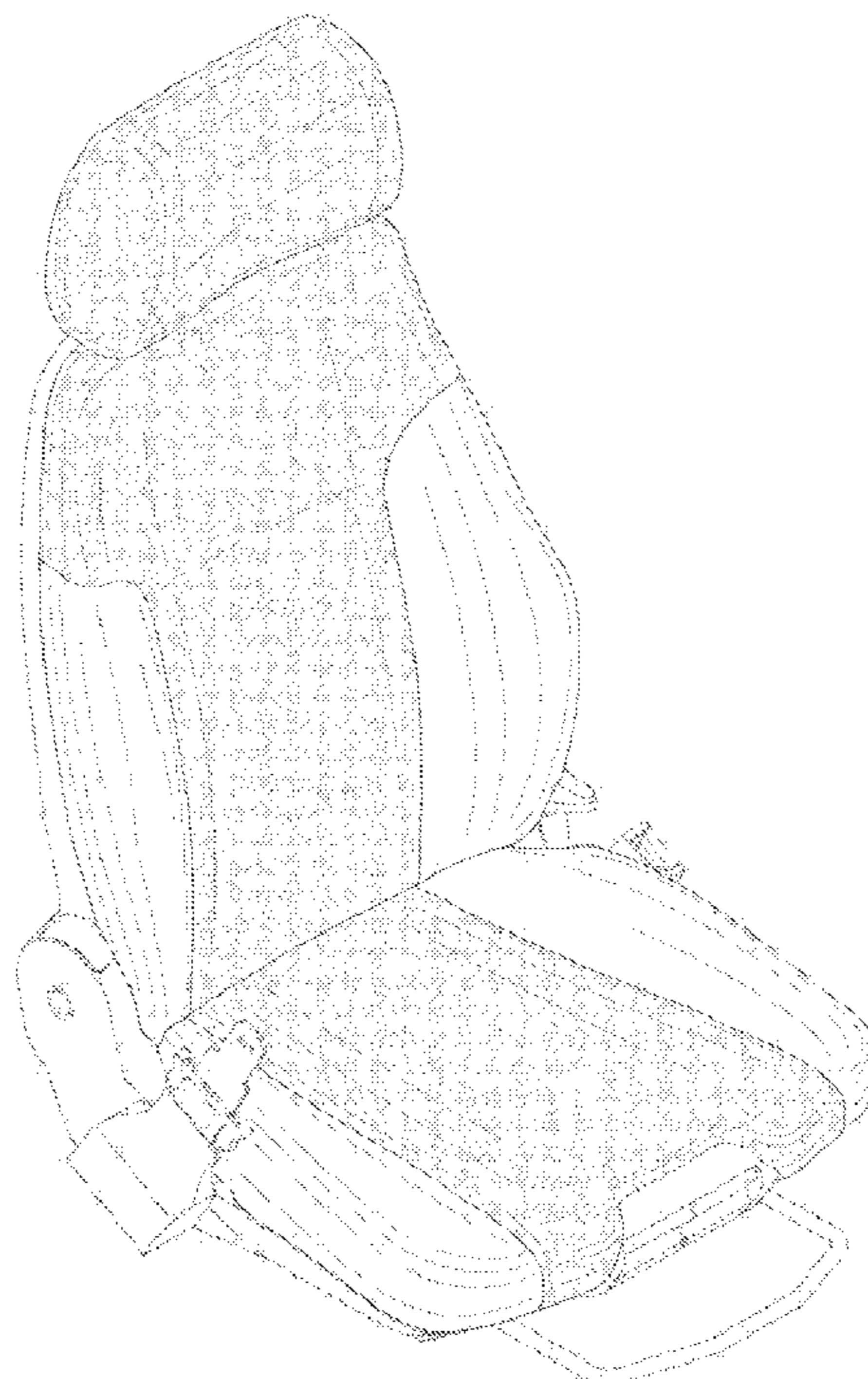
Fine discontinuous lines, fine curved lines and fine parallel lines in FIGS. 1 through 7 are shaded to assist in illustrating the shape of all surfaces of the three-dimensional aspects of the present design.

(56) **References Cited**

U.S. PATENT DOCUMENTS

D332,181 S *	1/1993	Sacco et al.	D6/356
D440,062 S *	4/2001	Tsay	D6/356
D460,279 S *	7/2002	Moburg	D6/356
D465,344 S *	11/2002	Siegert	D6/356
D534,005 S *	12/2006	Beermann	D6/356
D535,485 S *	1/2007	Moburg	D6/356
D541,542 S *	5/2007	Yokoyama et al.	D6/356
D576,413 S *	9/2008	Arnaout	D6/356
D578,785 S *	10/2008	Wyszogrod et al.	D6/356
D591,068 S *	4/2009	Corradi	D6/356
D592,413 S *	5/2009	Higashida	D6/356
D605,420 S *	12/2009	Krauss et al.	D6/356
D614,878 S *	5/2010	Higashida et al.	D6/356

1 Claim, 7 Drawing Sheets



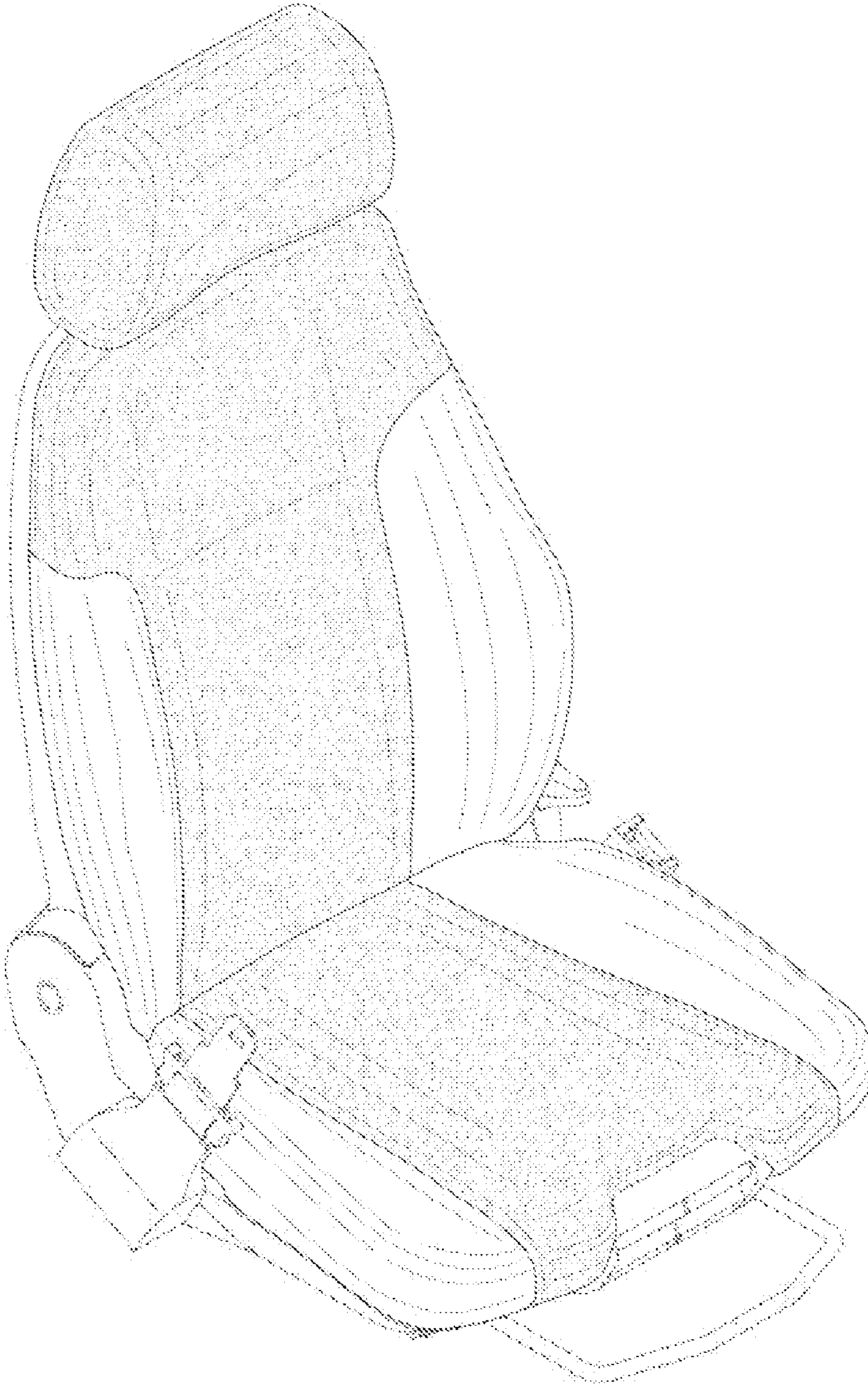


FIG. 1

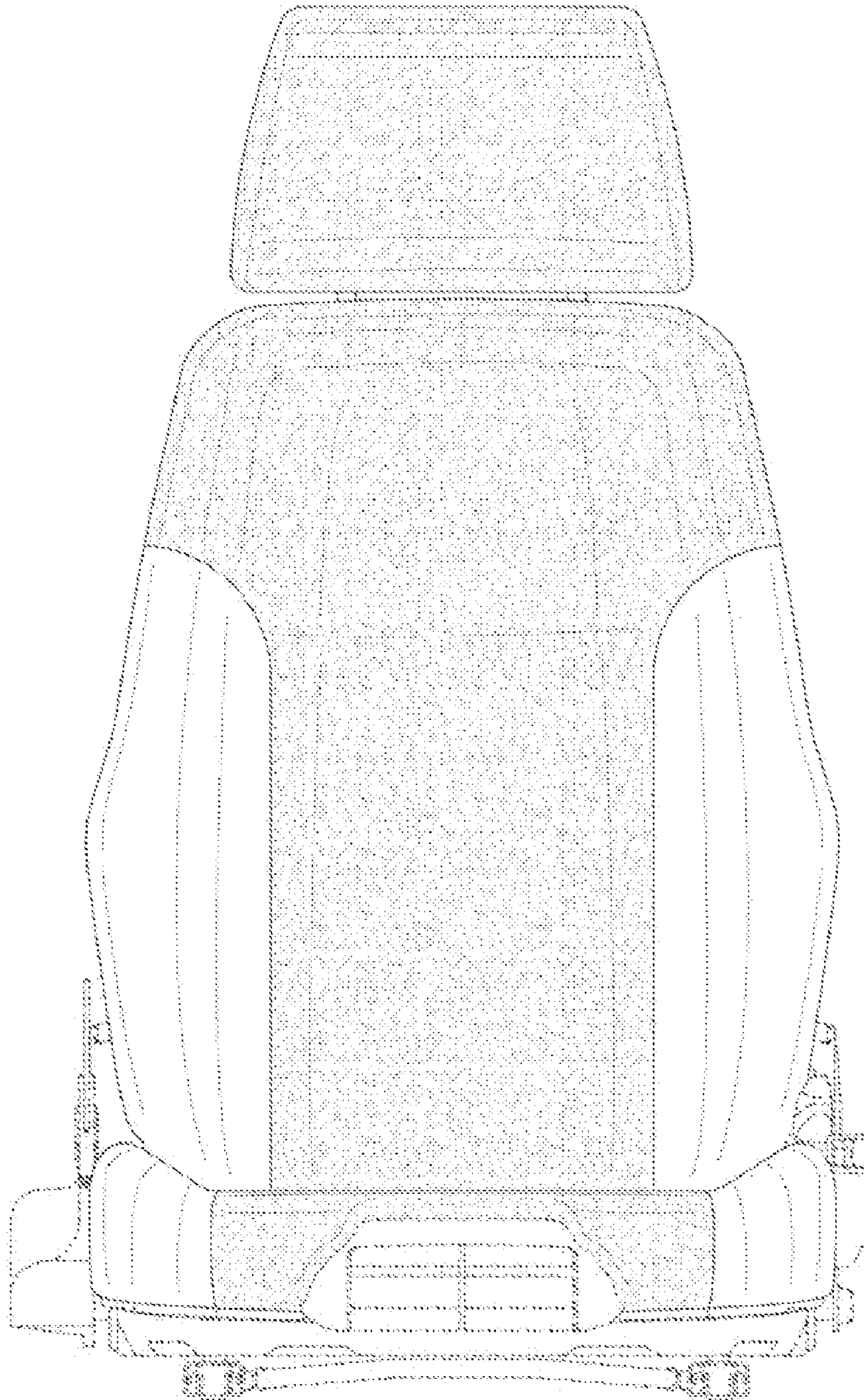


FIG. 2

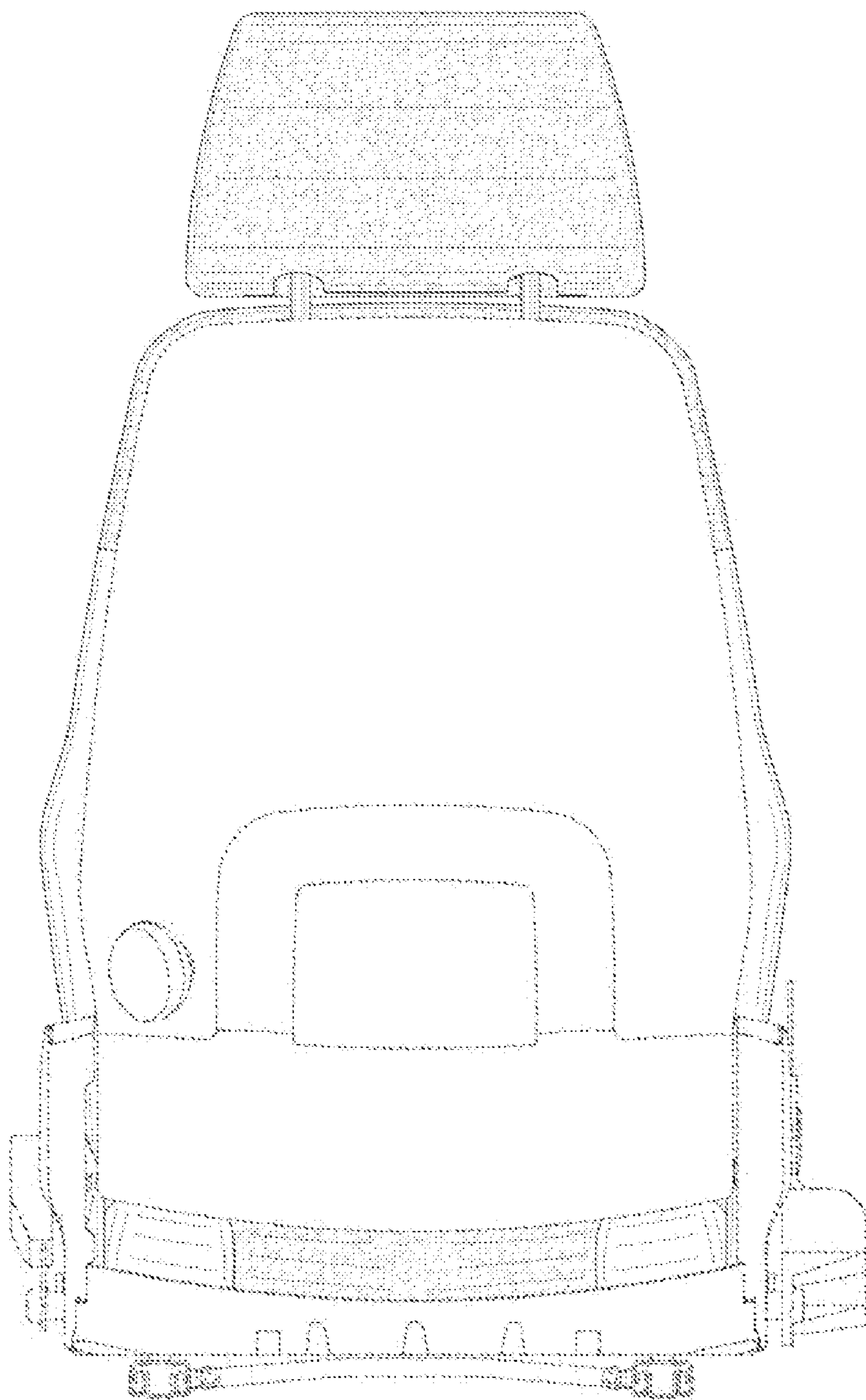


FIG. 3

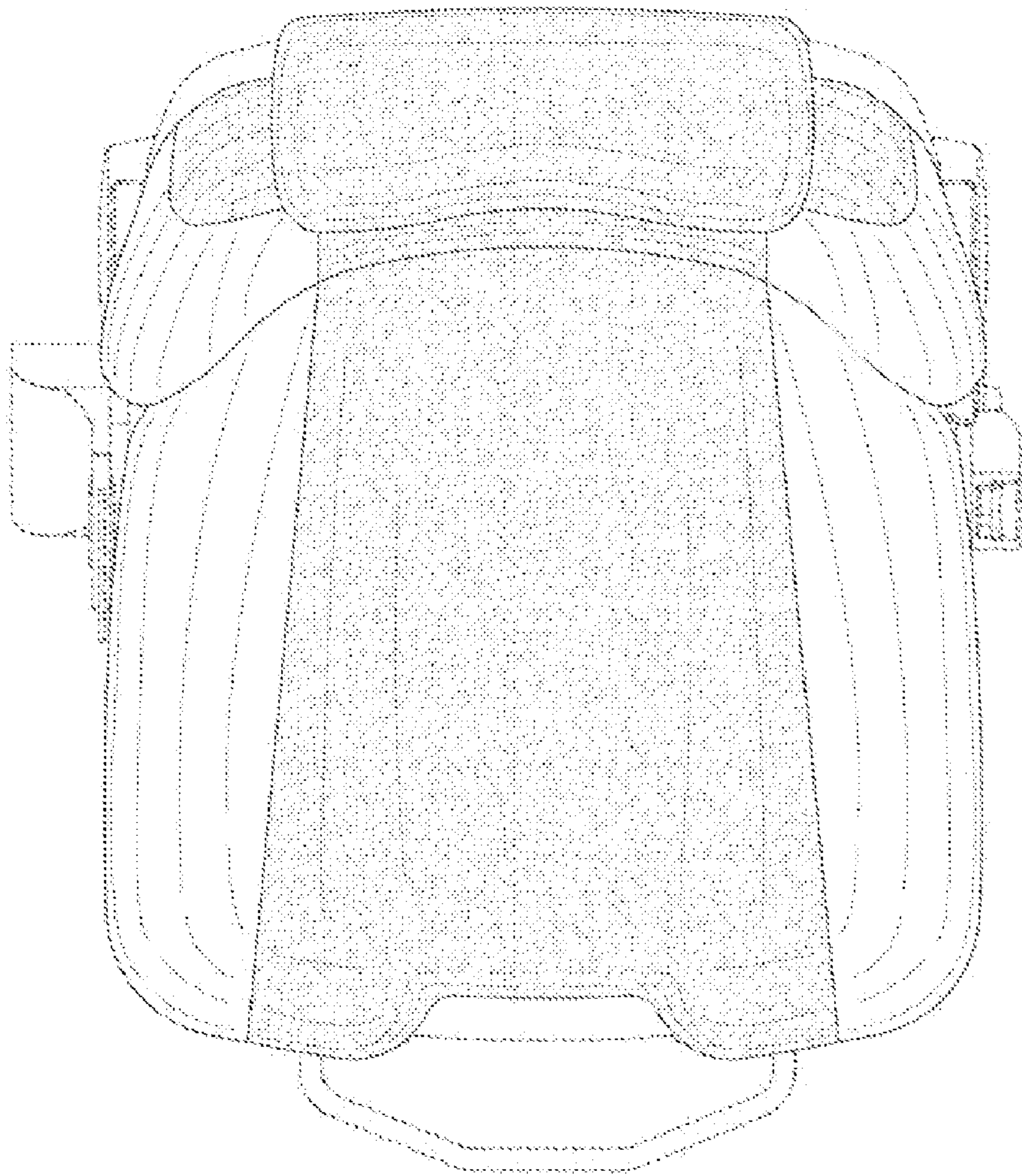


FIG. 4

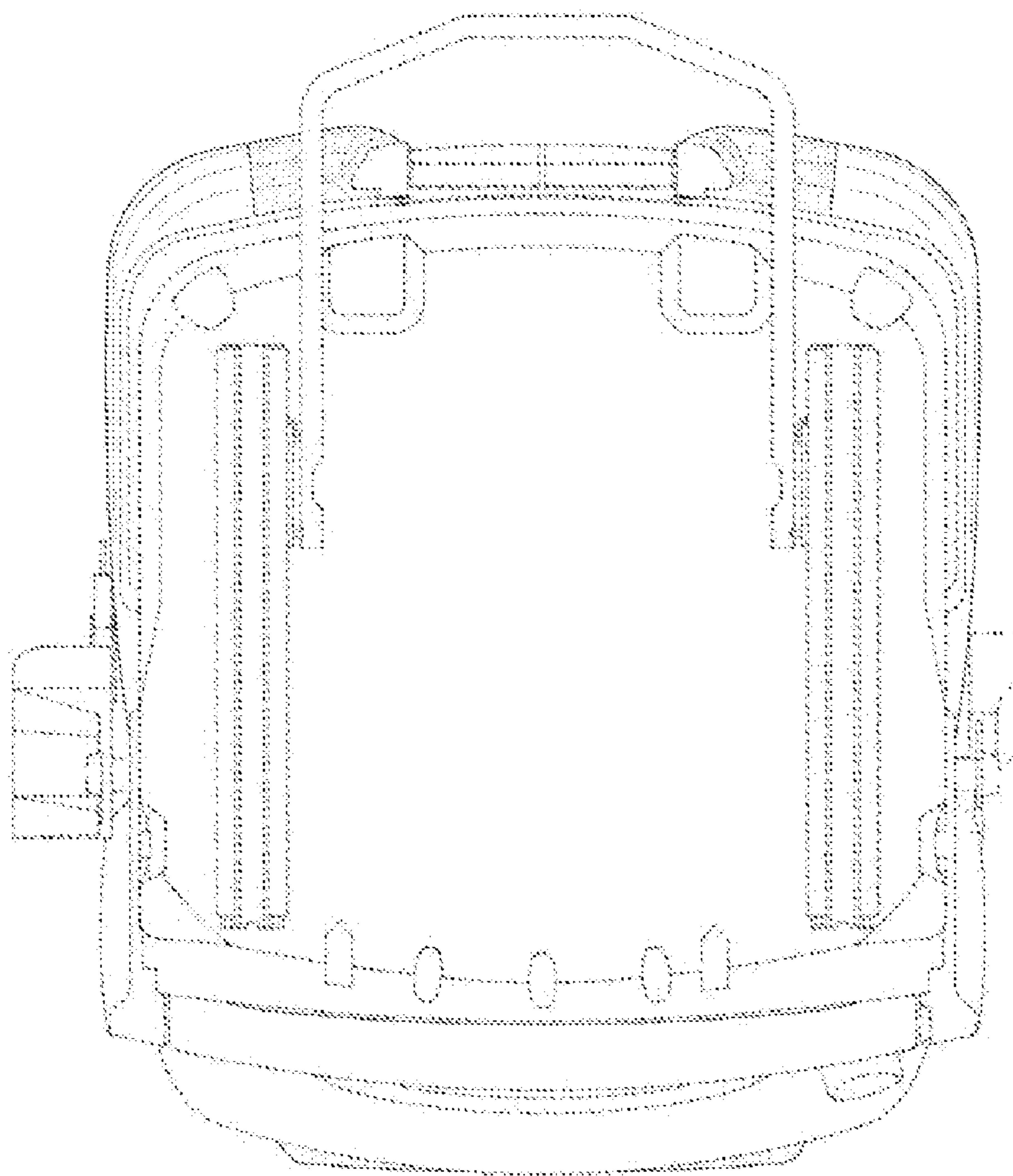


FIG. 5

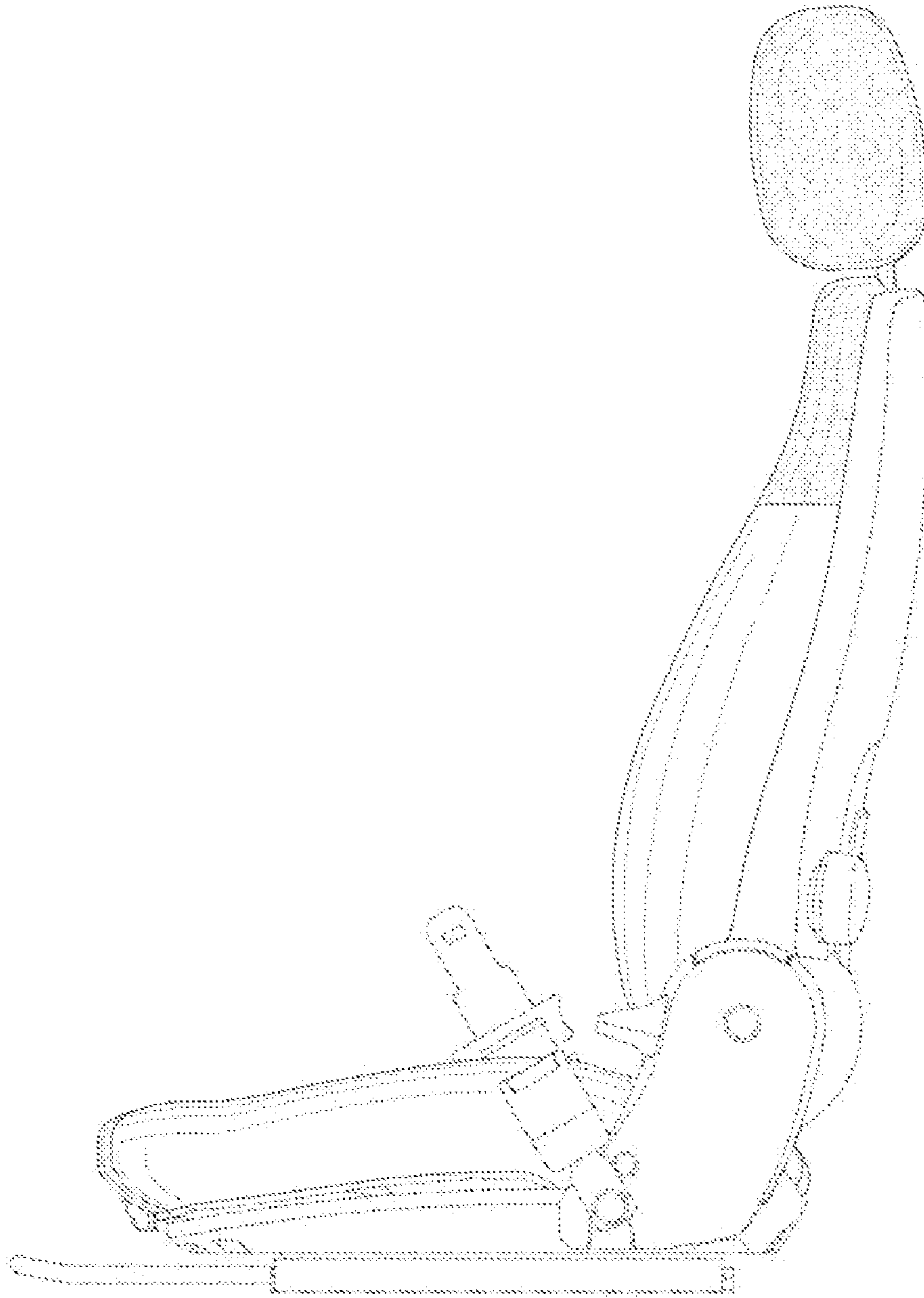


FIG. 6

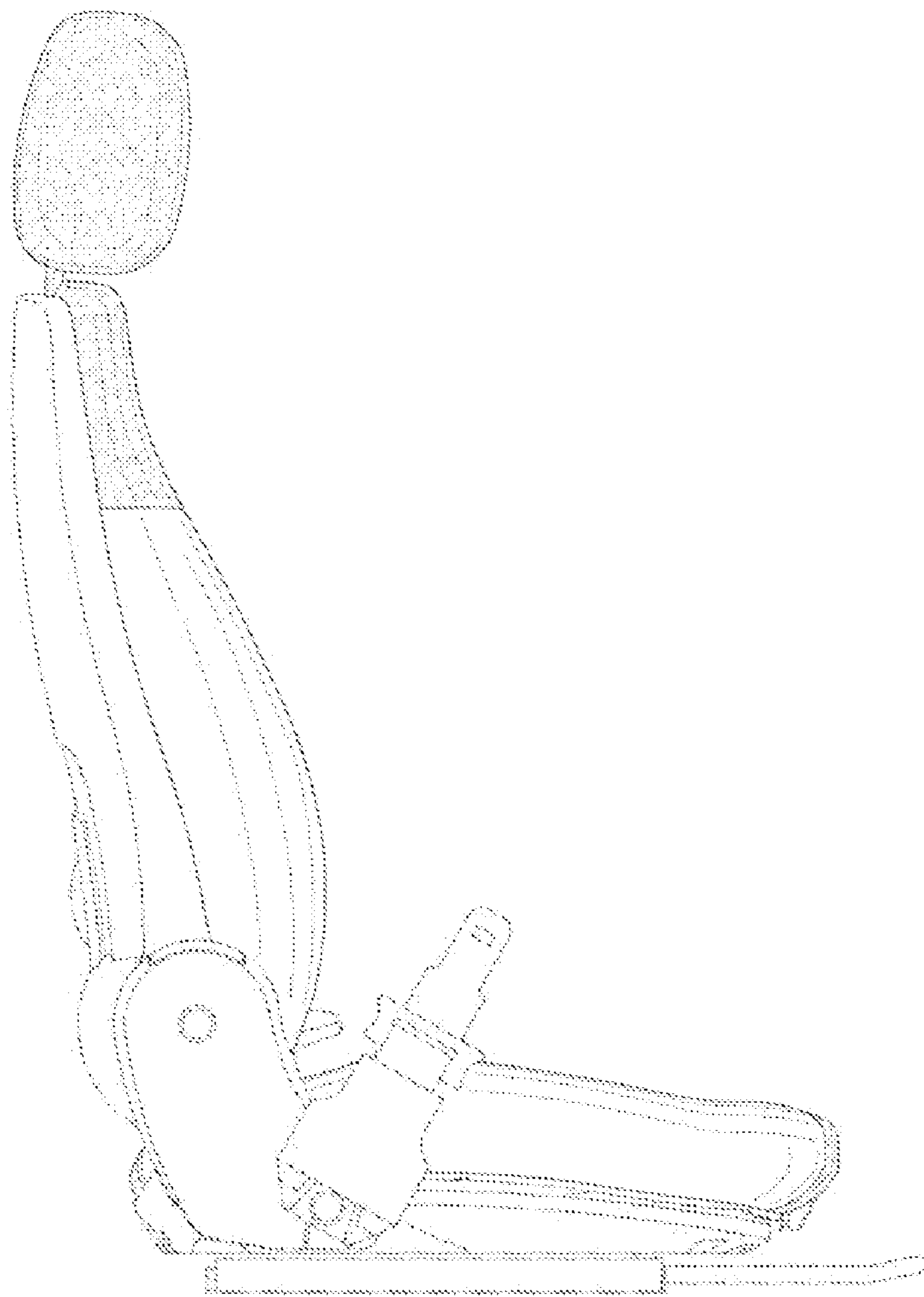


FIG. 7