



US00D661114S

(12) **United States Design Patent**
Aoki

(10) **Patent No.:** **US D661,114 S**
(45) **Date of Patent:** **** Jun. 5, 2012**

(54) **ELECTRIC MASSAGING CHAIR**

(75) Inventor: **Motohiro Aoki**, Tokyo (JP)
(73) Assignee: **Panasonic Corporation**, Kadoma-shi (JP)

(**) Term: **14 Years**

(21) Appl. No.: **29/368,254**

(22) Filed: **Aug. 20, 2010**

(30) **Foreign Application Priority Data**

Feb. 23, 2010 (JP) 2010-004200
(51) **LOC (9) Cl.** **06-01**
(52) **U.S. Cl.** **D6/335**
(58) **Field of Classification Search** D6/334,
D6/335, 337, 349, 353, 380, 381, 500-502,
D6/374; 297/14, 43, 44, 118, 140, 245, 300.1,
297/311, 353, 354.1, 445.1, 446.1, 446.2,
297/447.4, 465, 900, DIG. 2, DIG. 7; 5/12.1,
5/12.2
See application file for complete search history.

(56) **References Cited**

U.S. PATENT DOCUMENTS

D277,346	S	*	1/1985	Steinberger	D6/374
D288,505	S	*	3/1987	Yamasaki	D6/360
D372,801	S	*	8/1996	Fujimoto et al.	D6/367
5,762,618	A	*	6/1998	Yamanaka et al.	601/148
5,792,082	A	*	8/1998	Yamanaka et al.	601/148
D491,375	S	*	6/2004	Yuyama	D6/335
D494,373	S	*	8/2004	Hancock	D6/334
D502,607	S	*	3/2005	Miyake et al.	D6/335
D517,337	S	*	3/2006	Mori	D6/367
D536,189	S	*	2/2007	Kita	D6/367
D536,891	S	*	2/2007	Miyake et al.	D6/367
D536,897	S	*	2/2007	Pupak	D6/367
D537,262	S	*	2/2007	Lifeng	D6/367
D537,643	S	*	3/2007	Miyake	D6/367

(Continued)

FOREIGN PATENT DOCUMENTS

JP 2008-68106 A 3/2008

Primary Examiner — Sandra Snapp

(74) *Attorney, Agent, or Firm* — Marvin A. Motsenbocker; Motts Law, PLLC

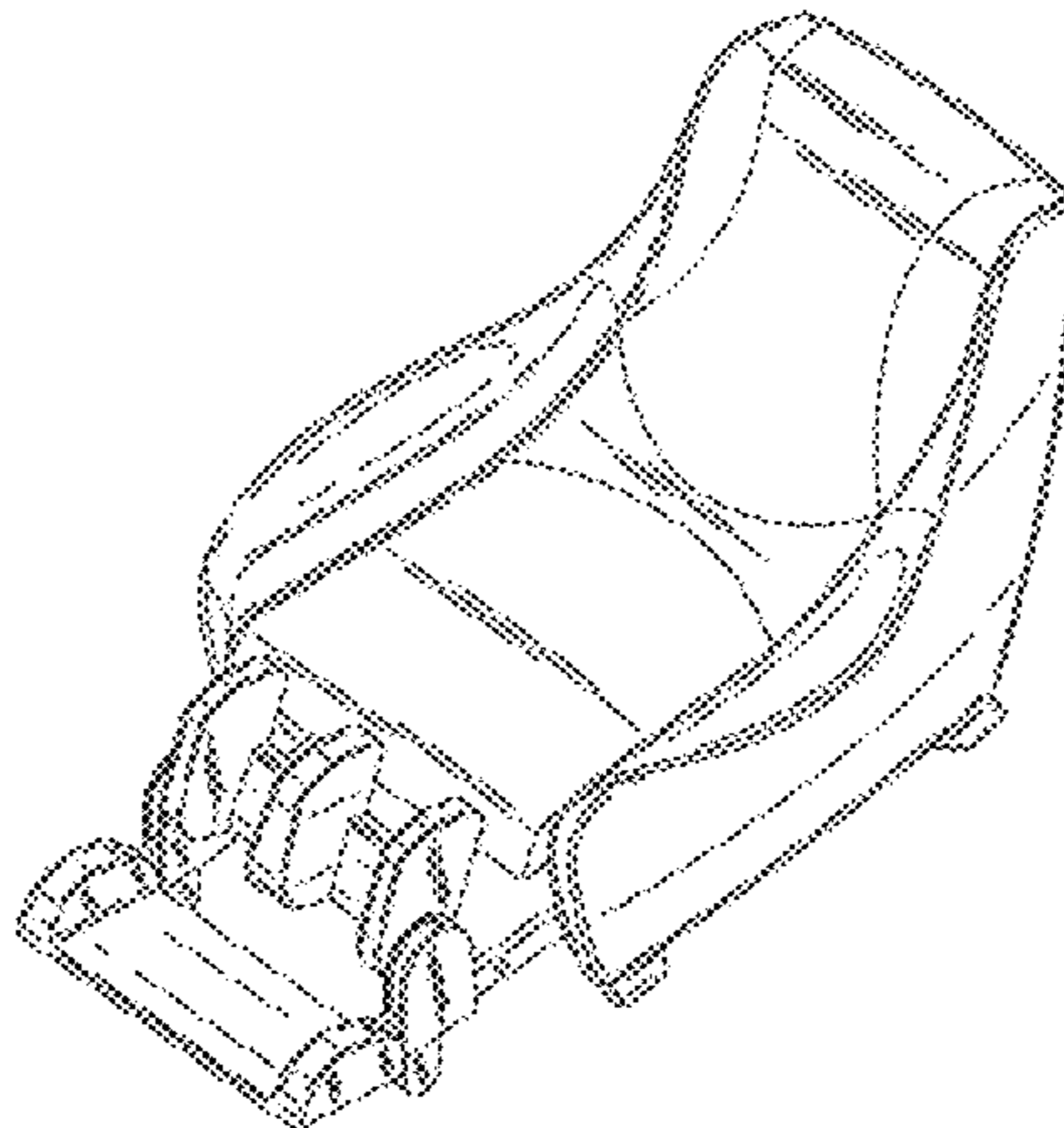
(57) **CLAIM**

The ornamental design for an electric massaging chair, as shown and described.

DESCRIPTION

FIG. 1 is a perspective view of the electric massaging chair; FIG. 2 is a front view thereof; FIG. 3 is a right side view thereof; FIG. 4 is a top plan view thereof; FIG. 5 is a bottom plan view thereof; FIG. 6 is a left side view thereof; FIG. 7 is a sectional view at cross-section 7-7 of FIG. 4 omitting interior mechanism; FIG. 8 is a sectional view at cross-section 8-8 of FIG. 4 omitting interior mechanism; FIG. 9 is a sectional view at cross-section 9-9 of FIG. 4 omitting interior mechanism; FIG. 10 is a sectional view at cross-section 10-10 of FIG. 4 omitting interior mechanism; FIG. 11 is a reference front view, that shows a retracted state of foot rest elements; FIG. 12 is a front view that shows the retractable foot rest in a first extended position; FIG. 13 is a front view that shows the retractable foot rest in a second extended position; FIG. 14 is a front view that shows the retractable foot rest in a third extended position; and, FIG. 15 is a front perspective view that shows the retractable foot rest in a fourth extended position. The portions of the article in broken lines are shown for illustrative purposes only and form no part of the claimed design. A rear view of the electric massaging chair is a minor image of the front view, and therefore omitted.

1 Claim, 15 Drawing Sheets



US D661,114 S

Page 2

U.S. PATENT DOCUMENTS

D537,644 S *	3/2007	Kawamura	D6/367	D575,069 S *	8/2008	Potter	D6/335
D538,056 S *	3/2007	Lifeng	D6/367	D577,923 S *	10/2008	Kita	D6/367
D540,053 S *	4/2007	Kimoto	D6/367	D580,665 S *	11/2008	Aoki et al.	D6/335
D544,224 S *	6/2007	Zhuo	D6/367	D580,671 S *	11/2008	Aoki et al.	D6/367
D549,972 S *	9/2007	Garcia	D6/348	D609,932 S *	2/2010	Lee	D6/367
D550,468 S *	9/2007	Ng	D6/367	D610,362 S *	2/2010	Choi et al.	D6/367

* cited by examiner

Fig. 1

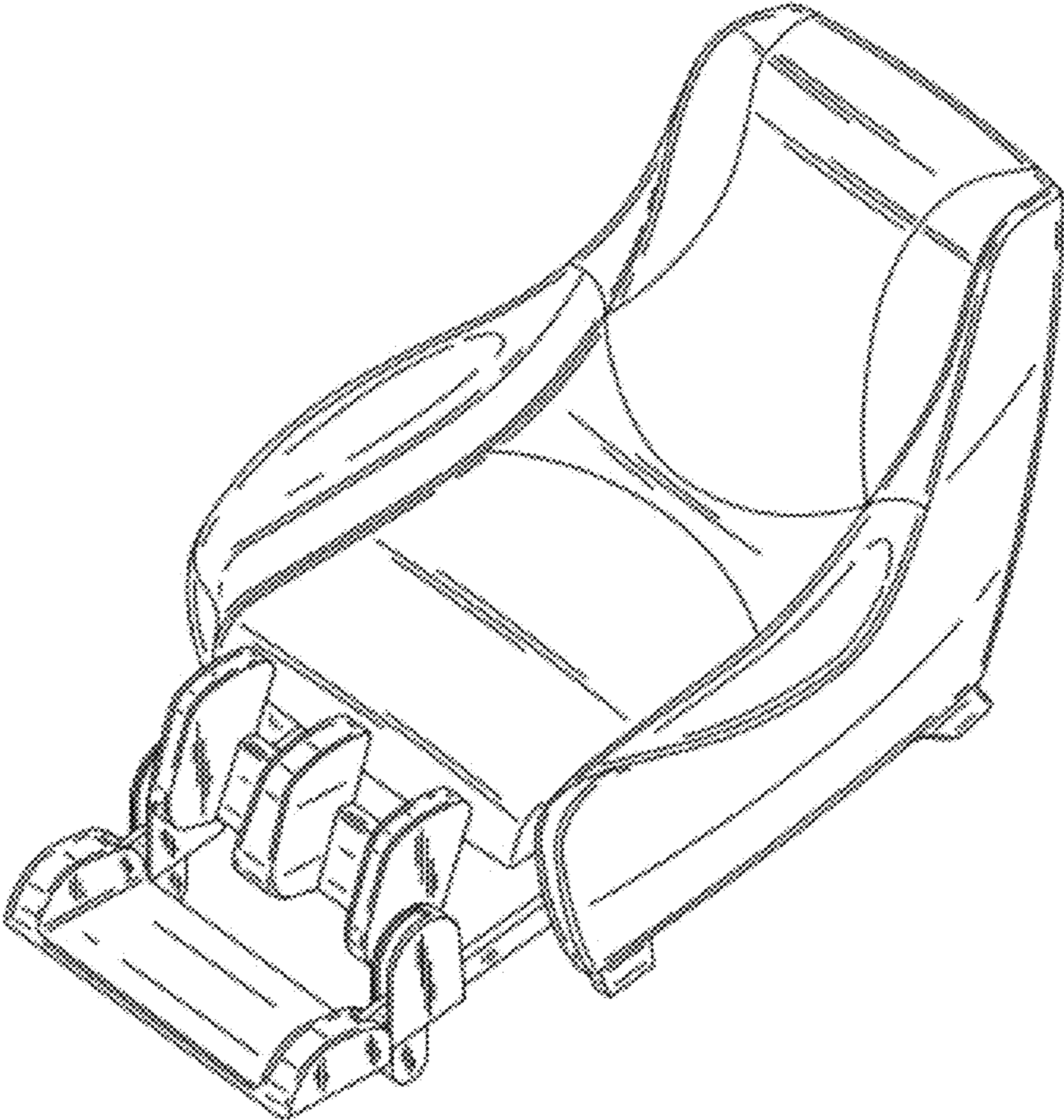


Fig.2

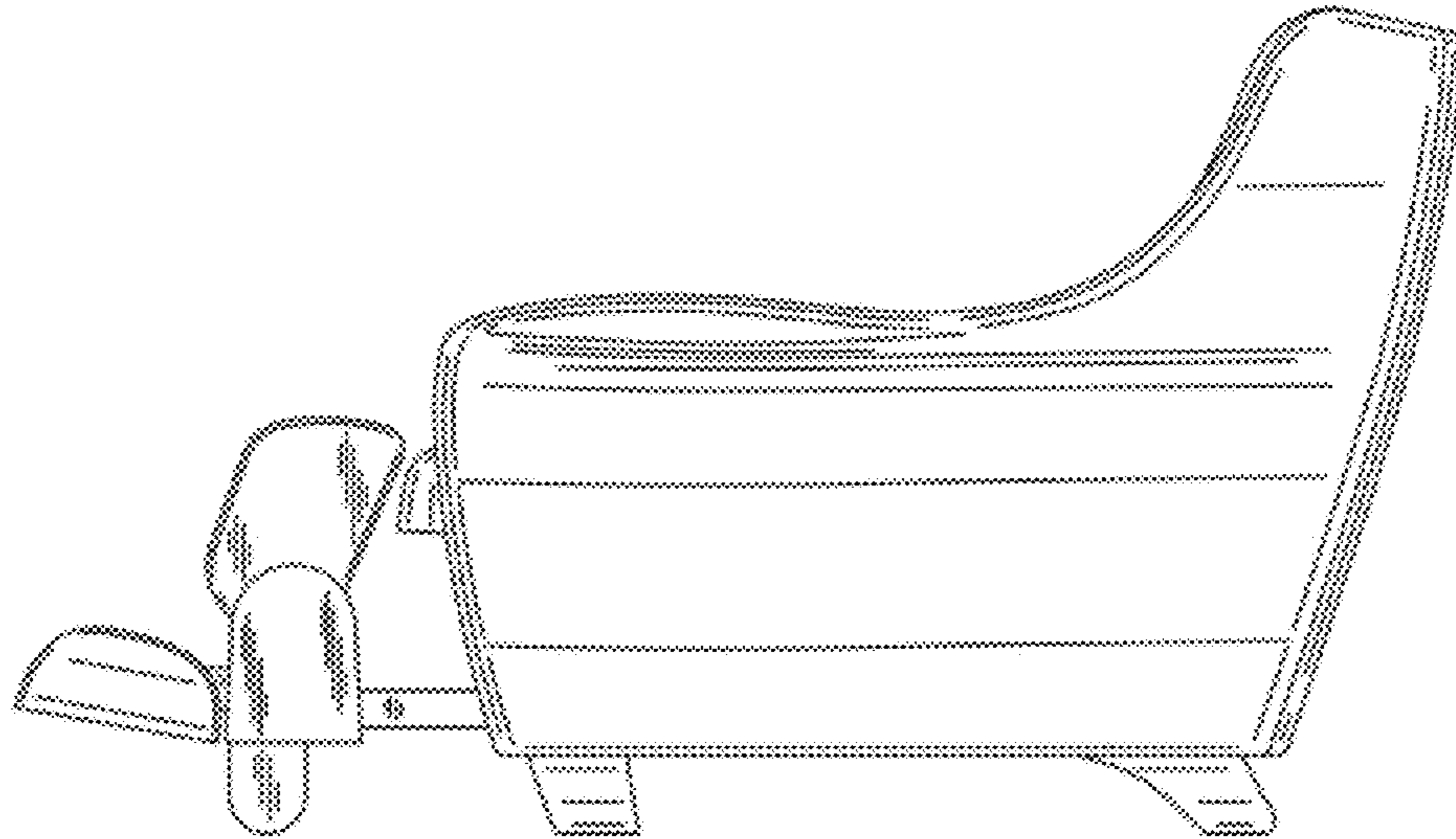


Fig.3

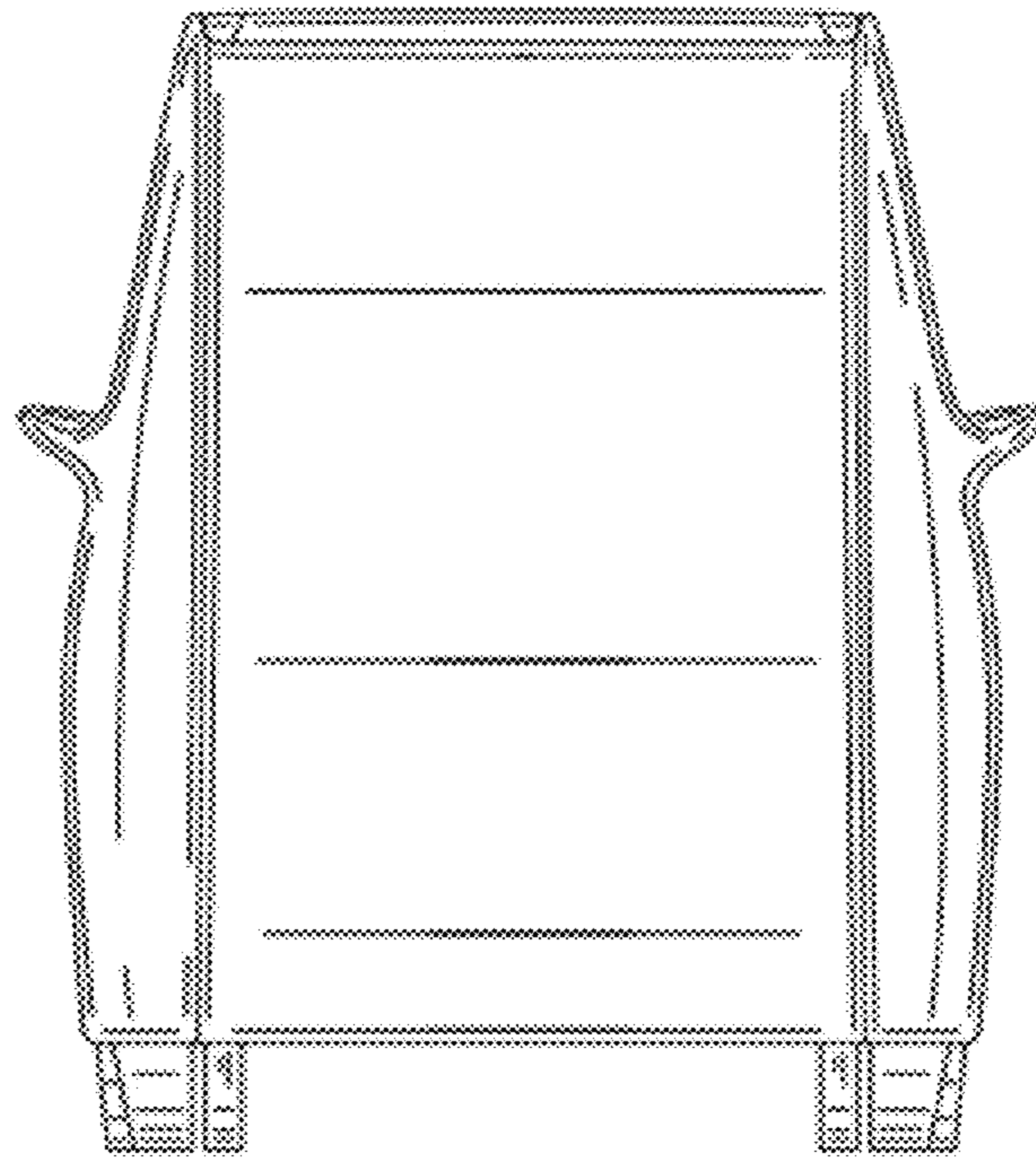


Fig.4

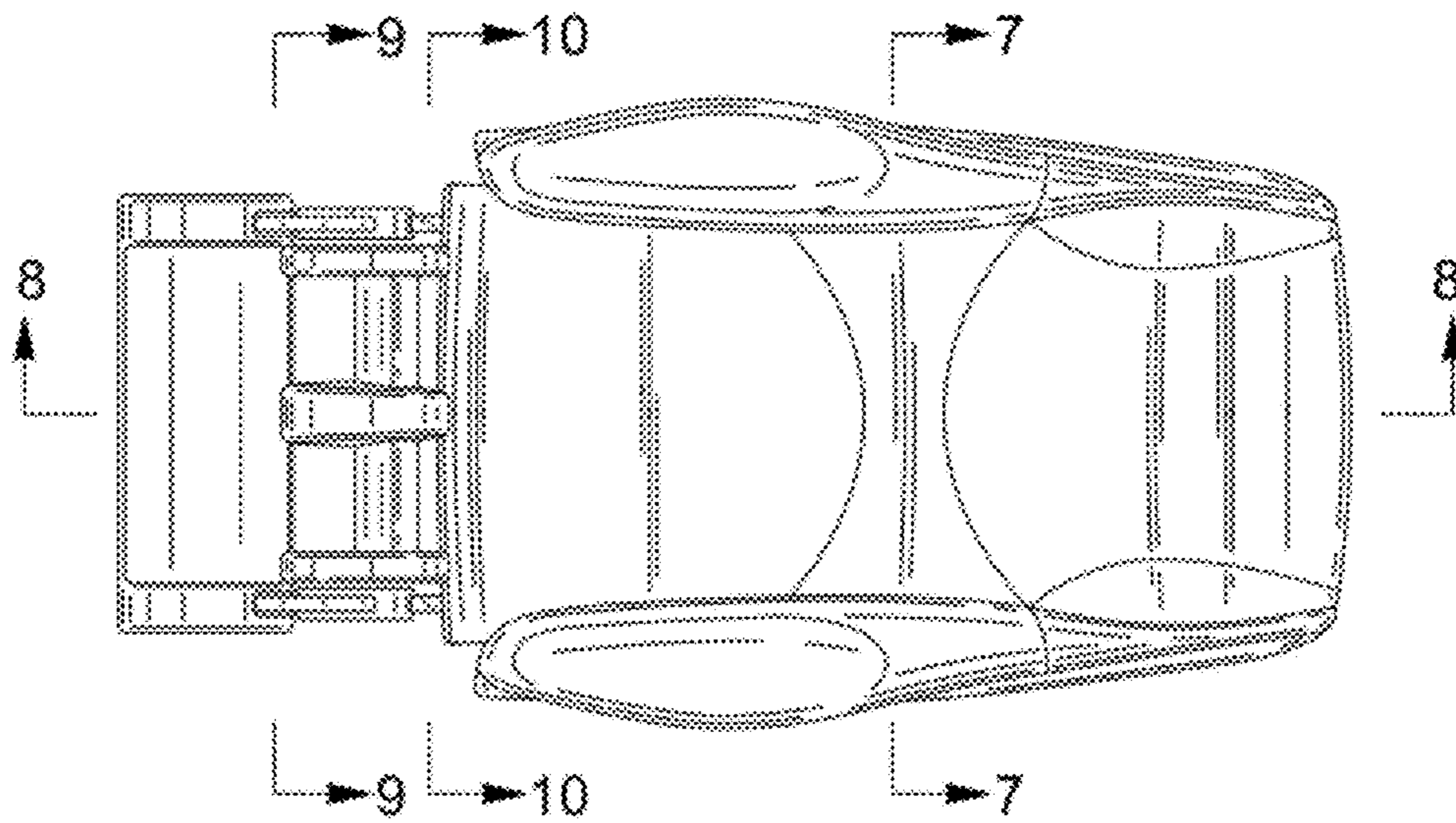


Fig.5

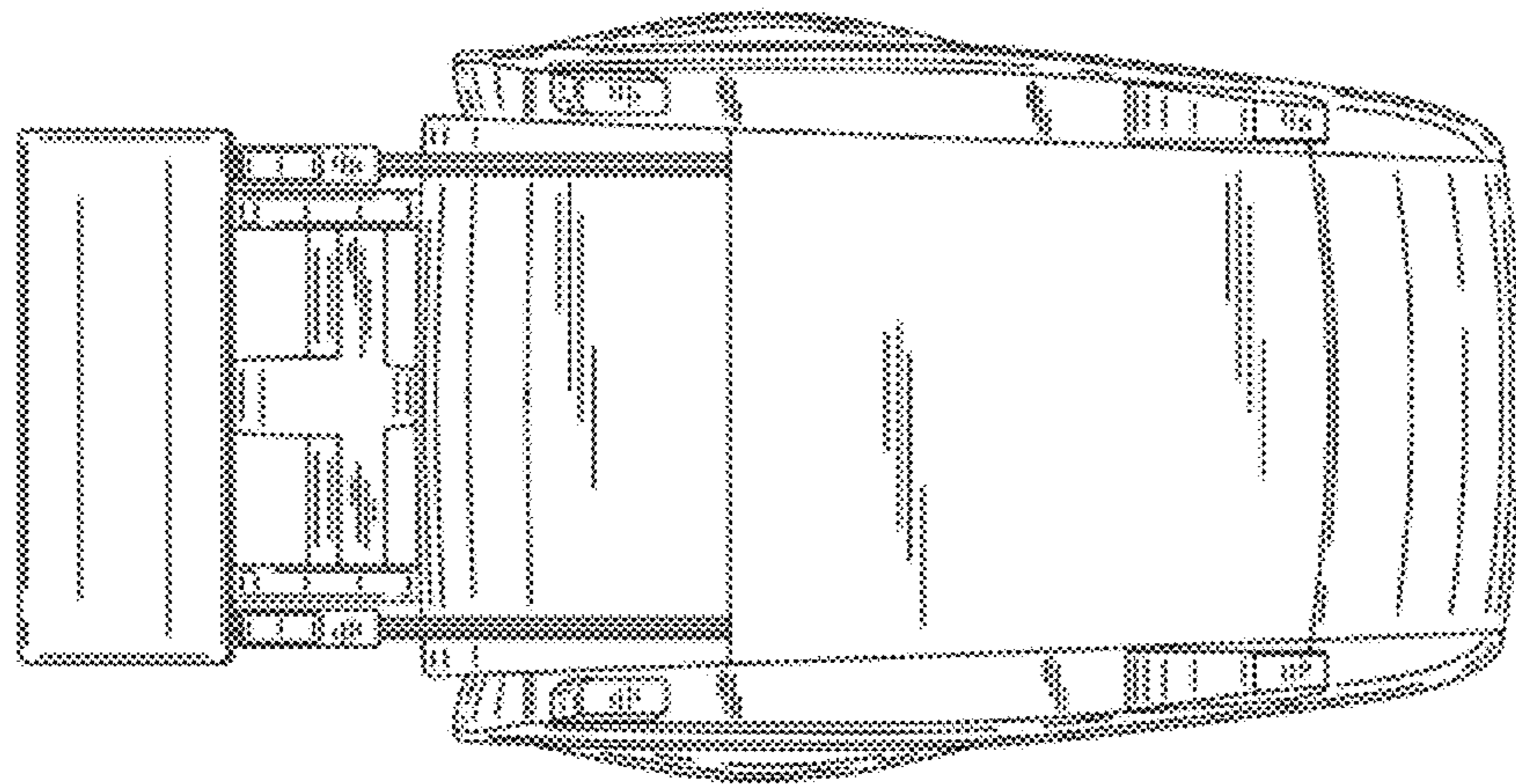


Fig.6

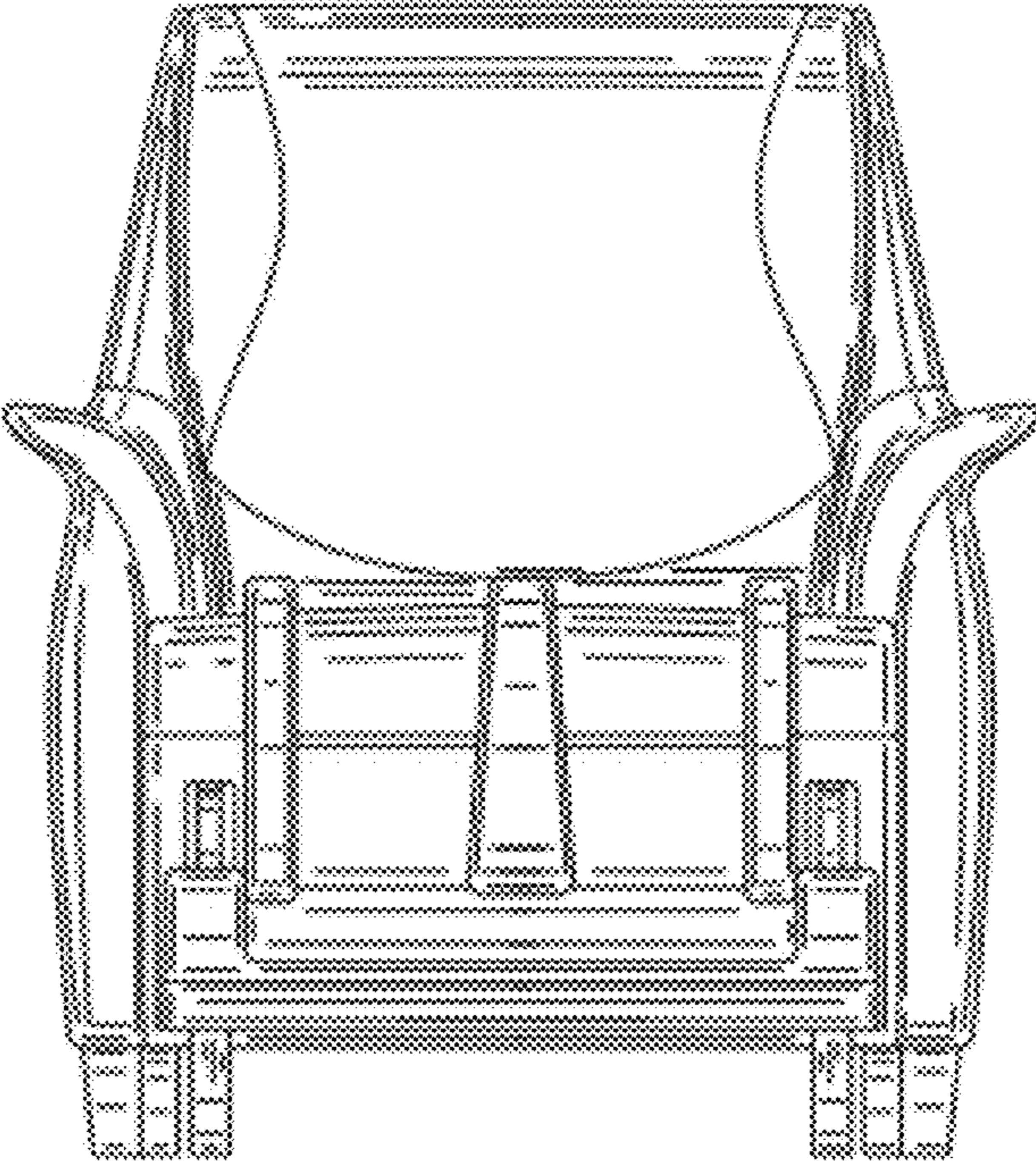


Fig. 7

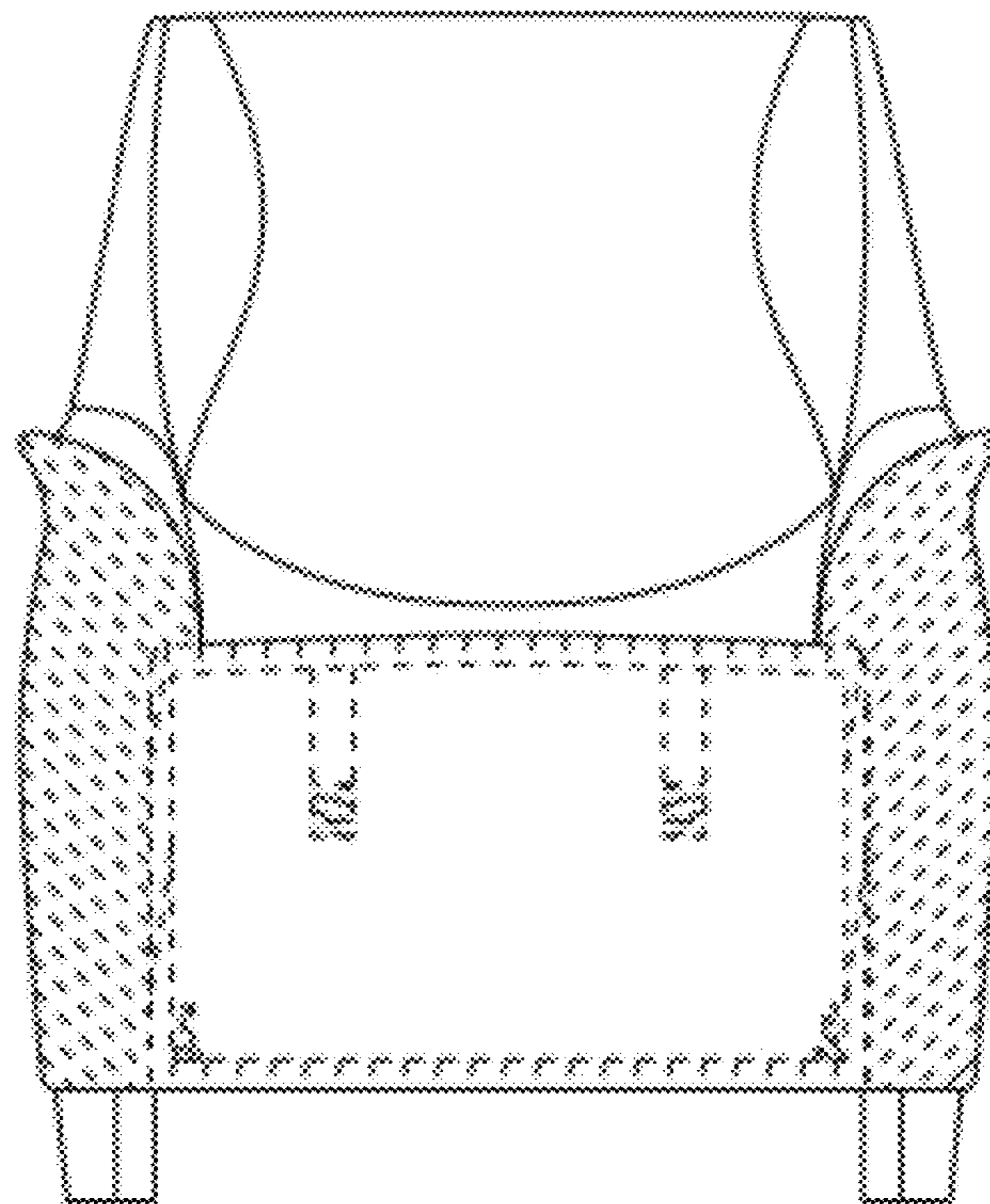


Fig.8

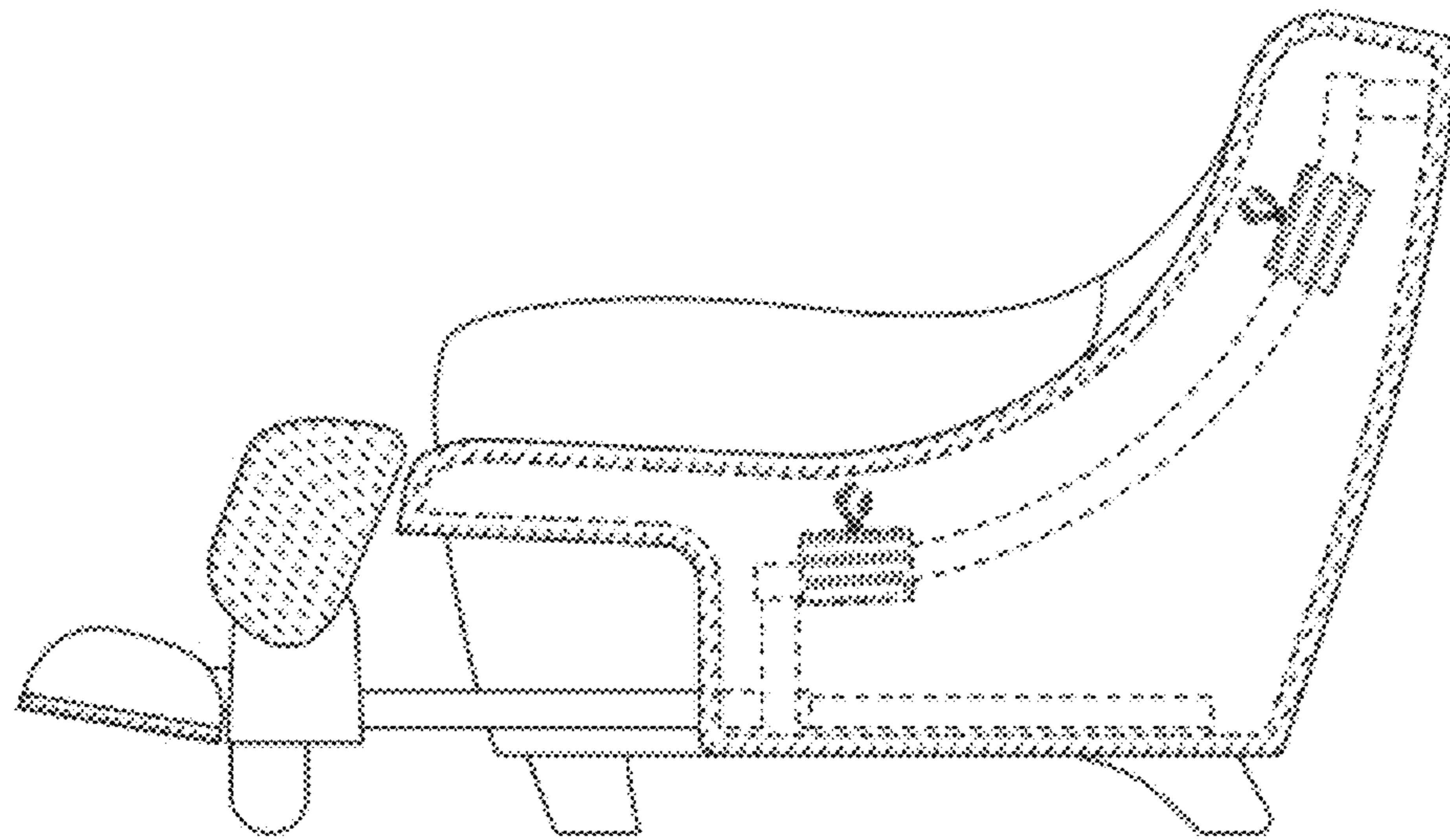


Fig.9

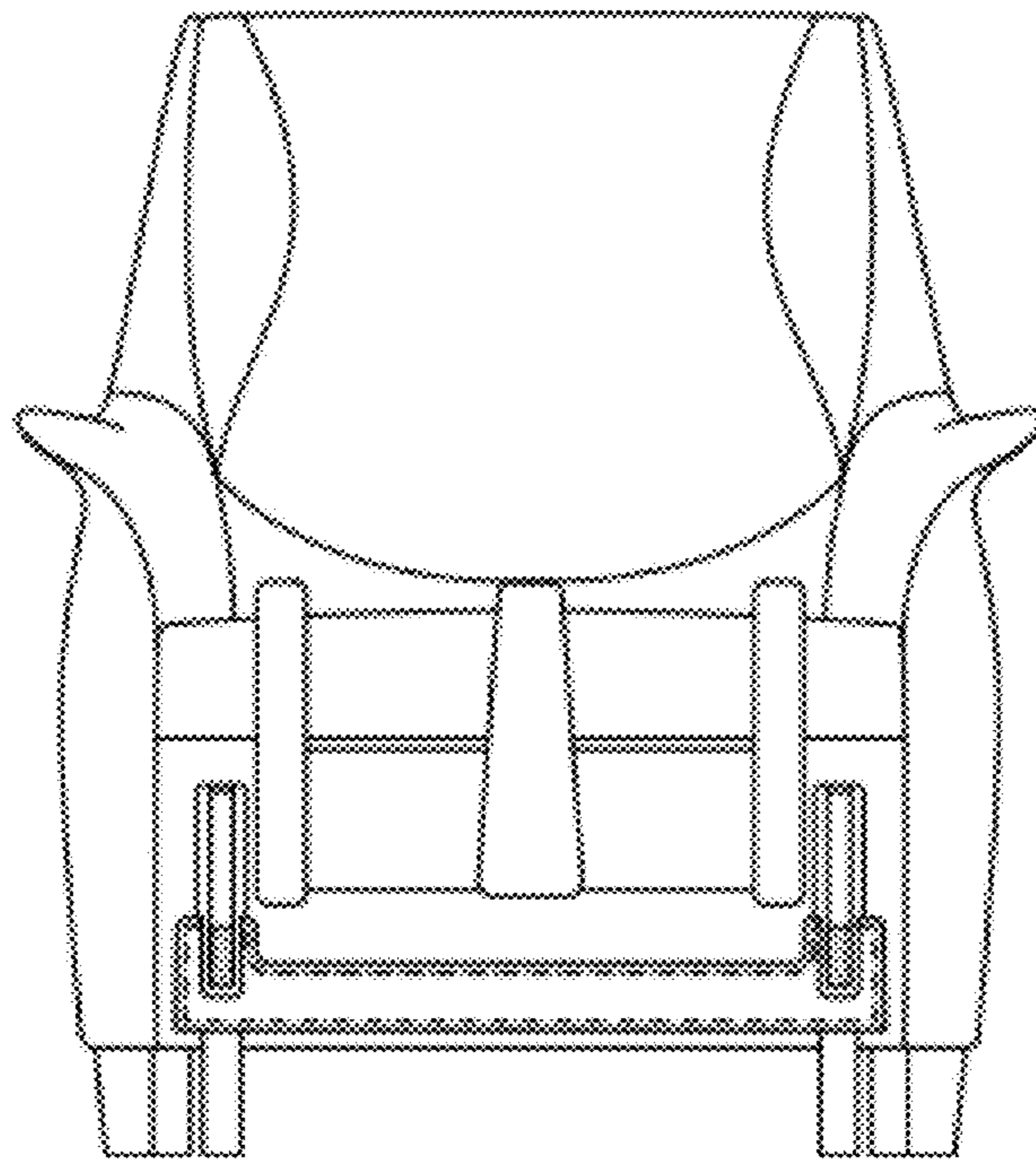


Fig. 10

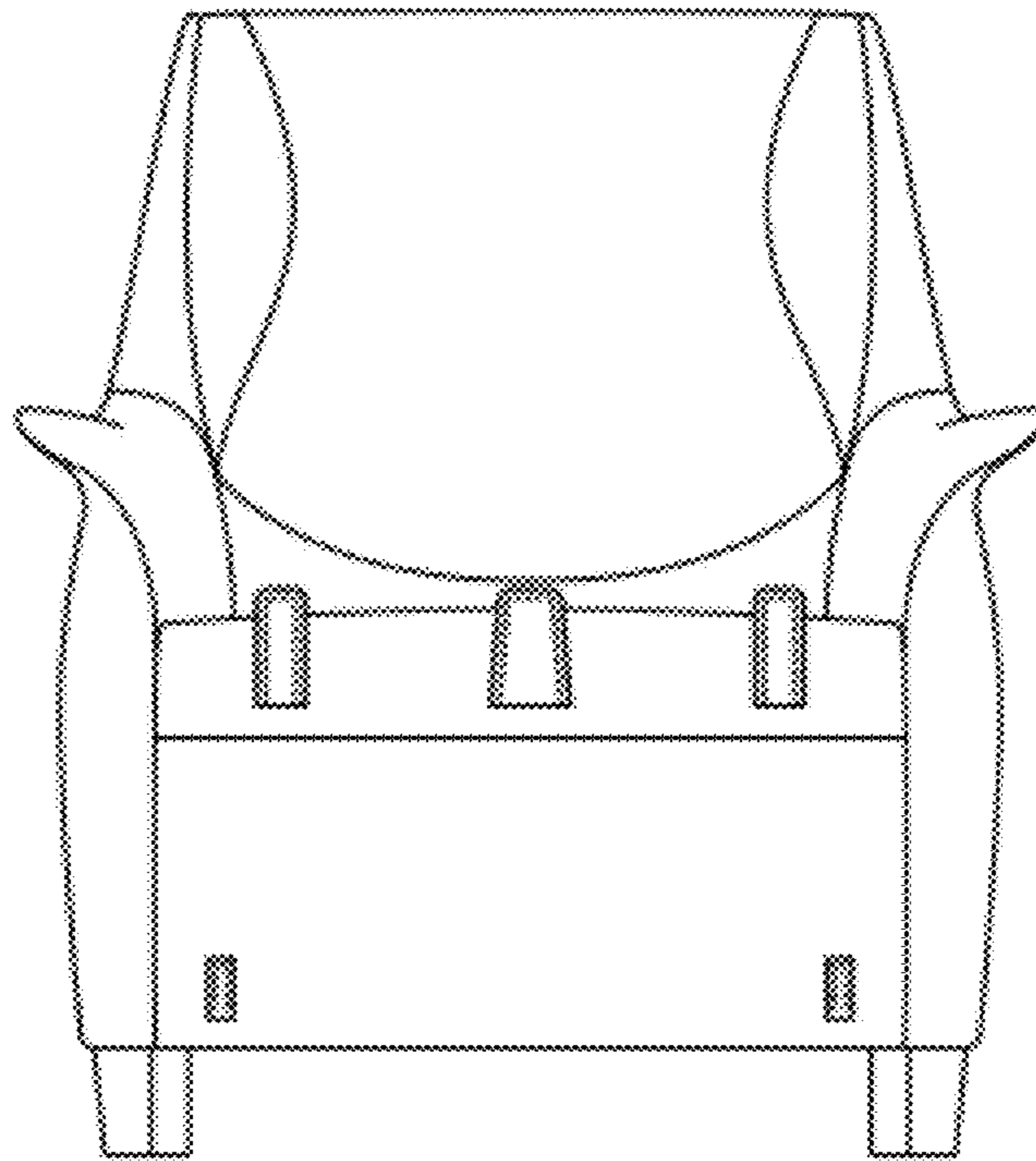


Fig. 11

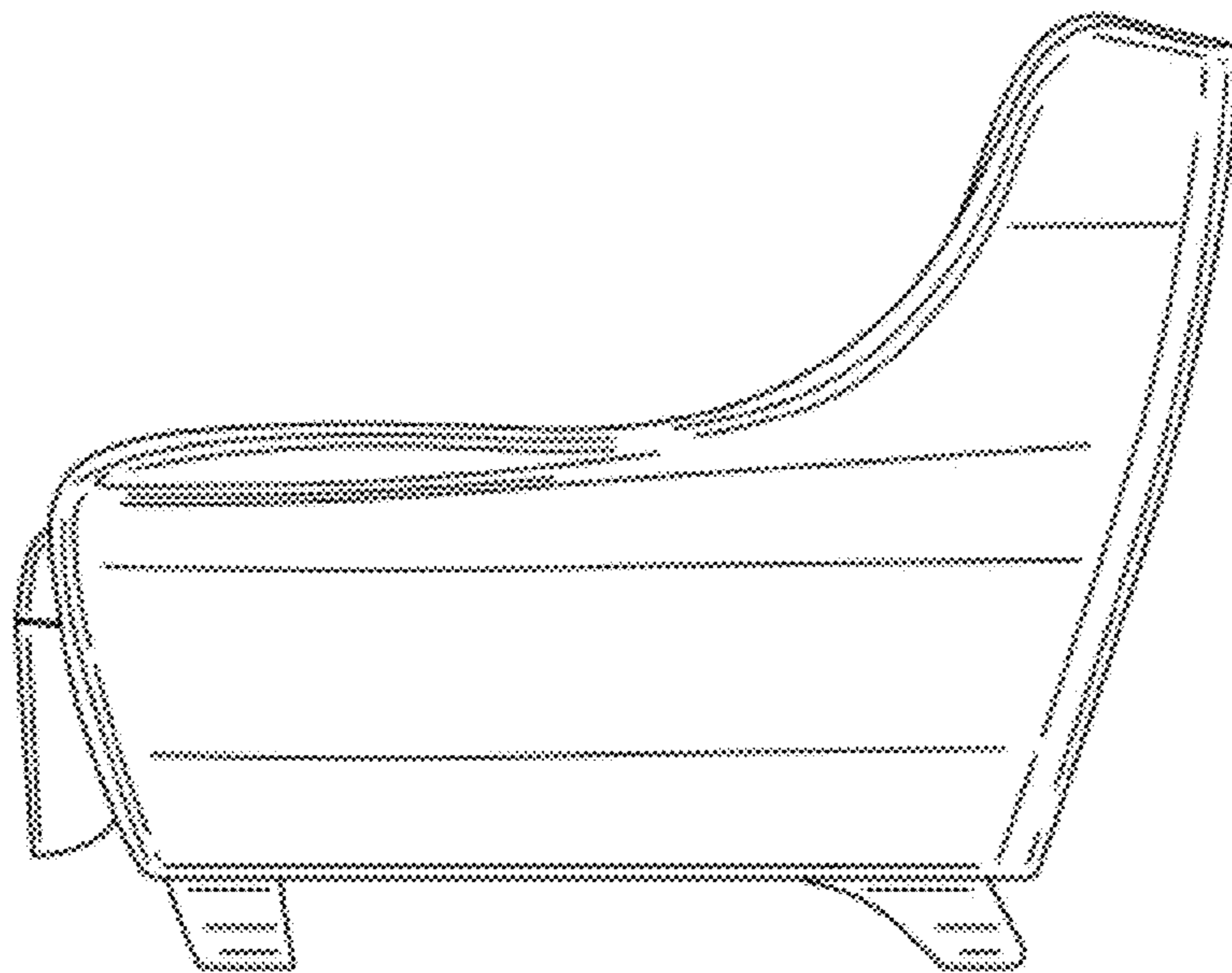


Fig. 12

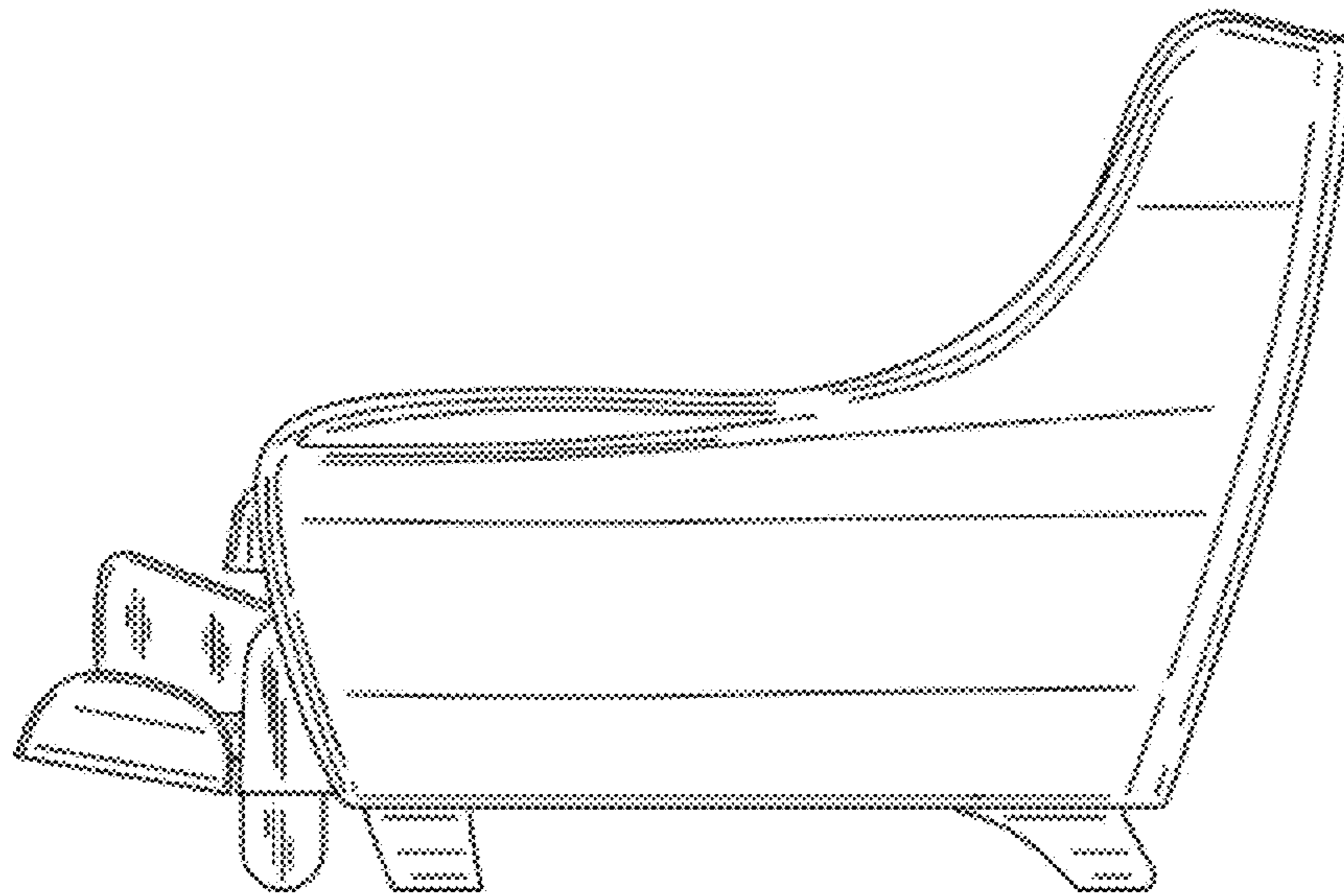


Fig. 13

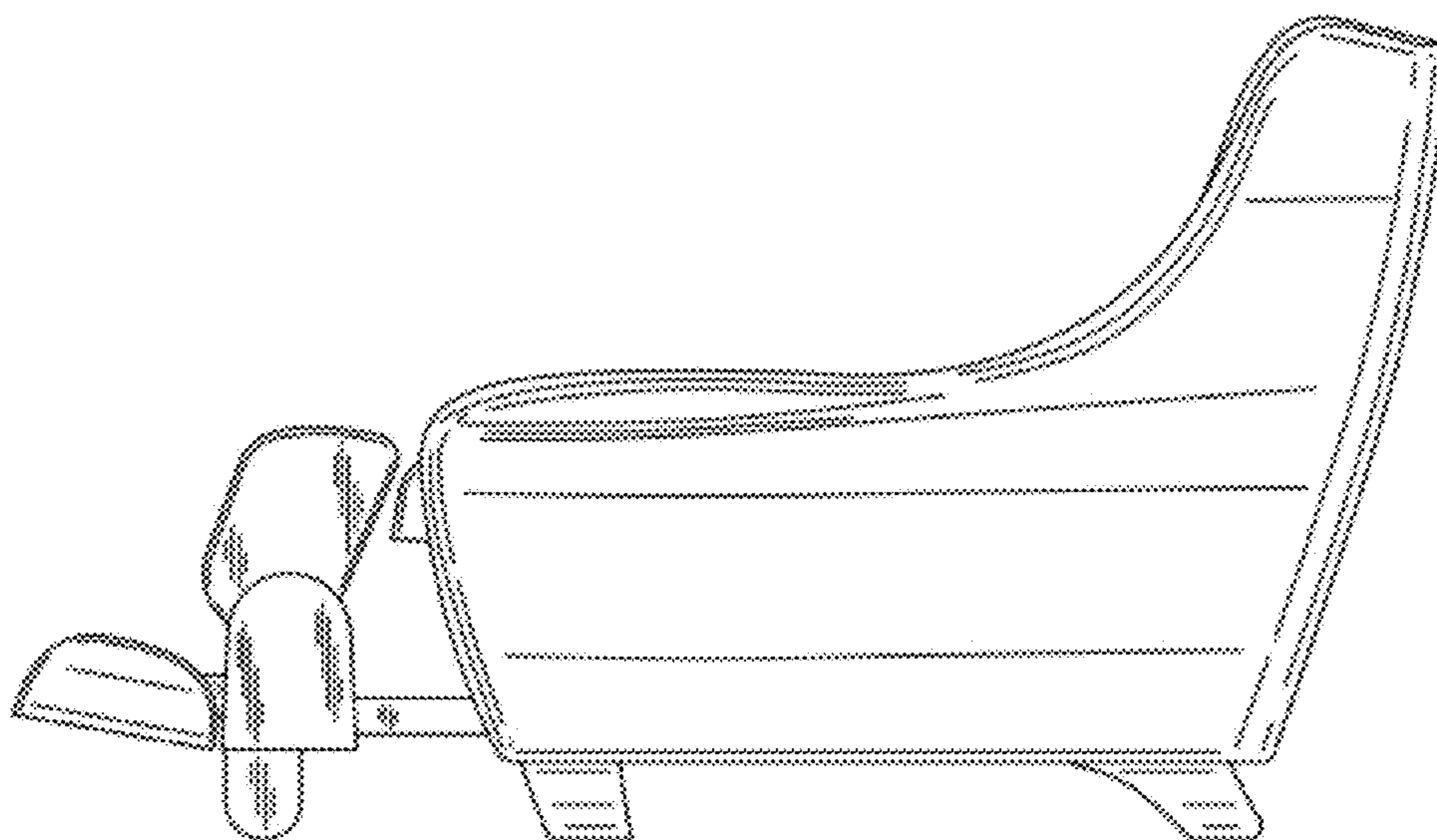


Fig. 14

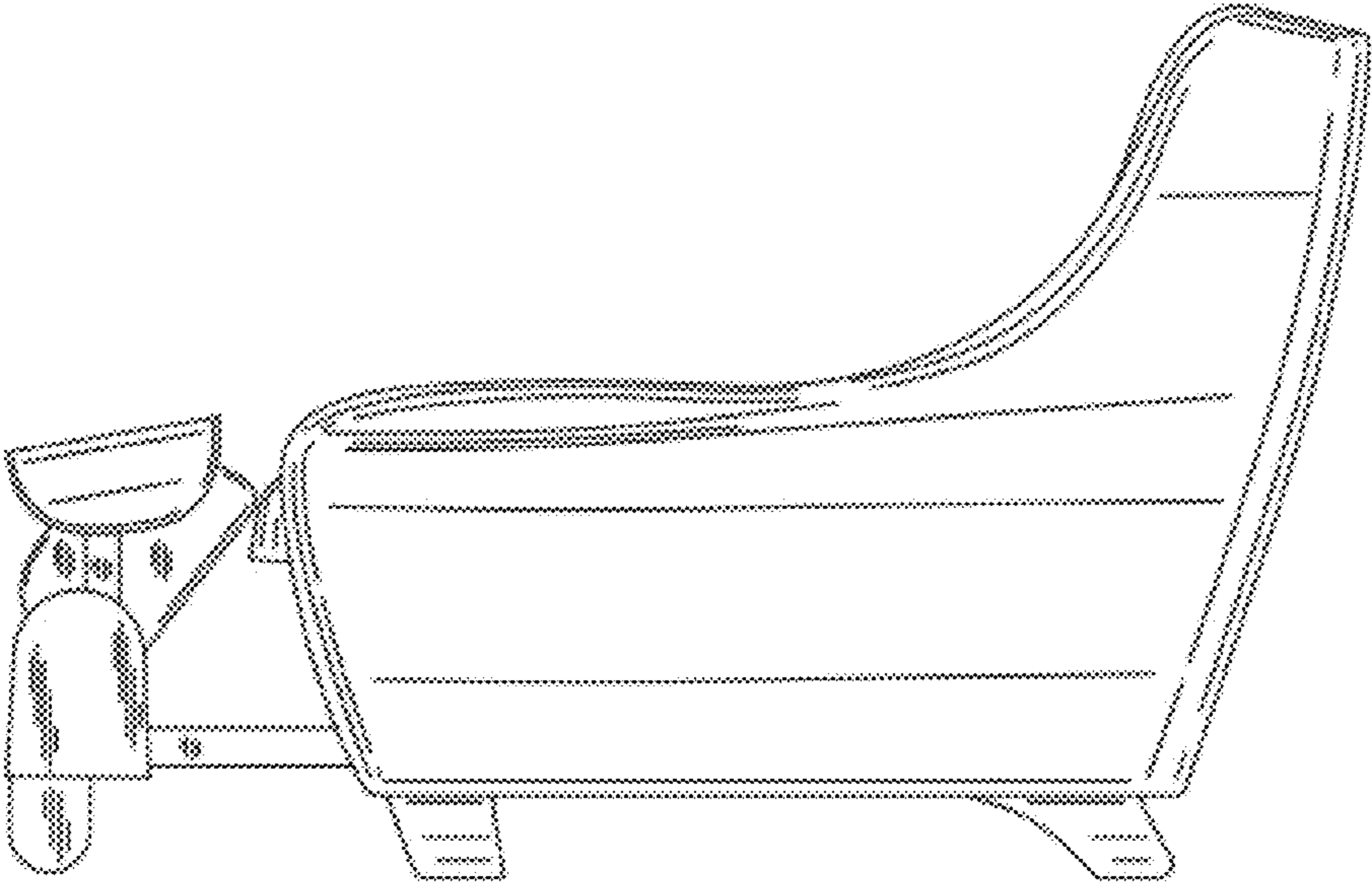


Fig. 15

