



US00D661113S

(12) **United States Design Patent**
Aoki

(10) **Patent No.:** **US D661,113 S**
(45) **Date of Patent:** **** Jun. 5, 2012**

(54) **ELECTRIC MASSAGING CHAIR**

(75) Inventor: **Motohiro Aoki**, Tokyo (JP)

(73) Assignee: **Panasonic Corporation**, Kadoma-shi (JP)

(**) Term: **14 Years**

(21) Appl. No.: **29/368,247**

(22) Filed: **Aug. 20, 2010**

(30) **Foreign Application Priority Data**

Feb. 23, 2010 (JP) 2010-004198

(51) **LOC (9) Cl.** **06-01**

(52) **U.S. Cl.** **D6/335**

(58) **Field of Classification Search** D6/334,
D6/335, 337, 349, 353, 380, 381, 500-502,
D6/374; 297/14, 43, 44, 118, 140, 245, 300.1,
297/311, 353, 354.1, 445.1, 446.1, 446.2,
297/447.4, 465, 900, DIG. 2, DIG. 7; 5/12.1,
5/12.2

See application file for complete search history.

D537,643 S * 3/2007 Miyake D6/367
D537,644 S * 3/2007 Kawamura D6/367
D538,056 S * 3/2007 Lifeng D6/367
D540,053 S * 4/2007 Kimoto D6/367
D544,224 S * 6/2007 Zhuo D6/367
D549,972 S * 9/2007 Garcia D6/348
D550,468 S * 9/2007 Ng D6/367
D575,069 S * 8/2008 Potter D6/335
D577,923 S * 10/2008 Kita D6/367
D580,665 S * 11/2008 Aoki et al. D6/335
D580,671 S * 11/2008 Aoki et al. D6/367
D609,932 S * 2/2010 Lee D6/367
D610,362 S * 2/2010 Choi et al. D6/367

FOREIGN PATENT DOCUMENTS

JP 2008-68106 A 3/2008
* cited by examiner

Primary Examiner — Sandra Snapp
(74) *Attorney, Agent, or Firm* — Marvin A. Motsenbocker;
MOTS LAW, PLLC

(57) **CLAIM**
The ornamental design for an electric massaging chair, as shown and described.

DESCRIPTION

FIG. 1 is a perspective view of the electric massaging chair; FIG. 2 is a front view thereof; FIG. 3 is a right side view thereof; FIG. 4 is a top plan view thereof; FIG. 5 is a bottom plan view thereof; FIG. 6 is a left side view thereof; and, FIG. 7 is a sectional view at cross-section 7-7 of FIG. 4 omitting interior mechanism. The portions of the article in broken lines are shown for illustrative purposes only and form no part of the claimed design. A rear view of the electric massaging chair is a mirror image of the front view, and therefore omitted.

1 Claim, 7 Drawing Sheets

(56) **References Cited**

U.S. PATENT DOCUMENTS

D277,346 S * 1/1985 Steinberger D6/374
D288,505 S * 3/1987 Yamasaki D6/360
D372,801 S * 8/1996 Fujimoto et al. D6/367
5,762,618 A * 6/1998 Yamanaka et al. 601/148
5,792,082 A * 8/1998 Yamanaka et al. 601/148
D491,375 S * 6/2004 Yuyama D6/335
D494,373 S * 8/2004 Hancock D6/334
D502,607 S * 3/2005 Miyake et al. D6/335
D517,337 S * 3/2006 Mori D6/367
D536,189 S * 2/2007 Kita D6/367
D536,891 S * 2/2007 Miyake et al. D6/367
D536,897 S * 2/2007 Pupak D6/367
D537,262 S * 2/2007 Lifeng D6/367

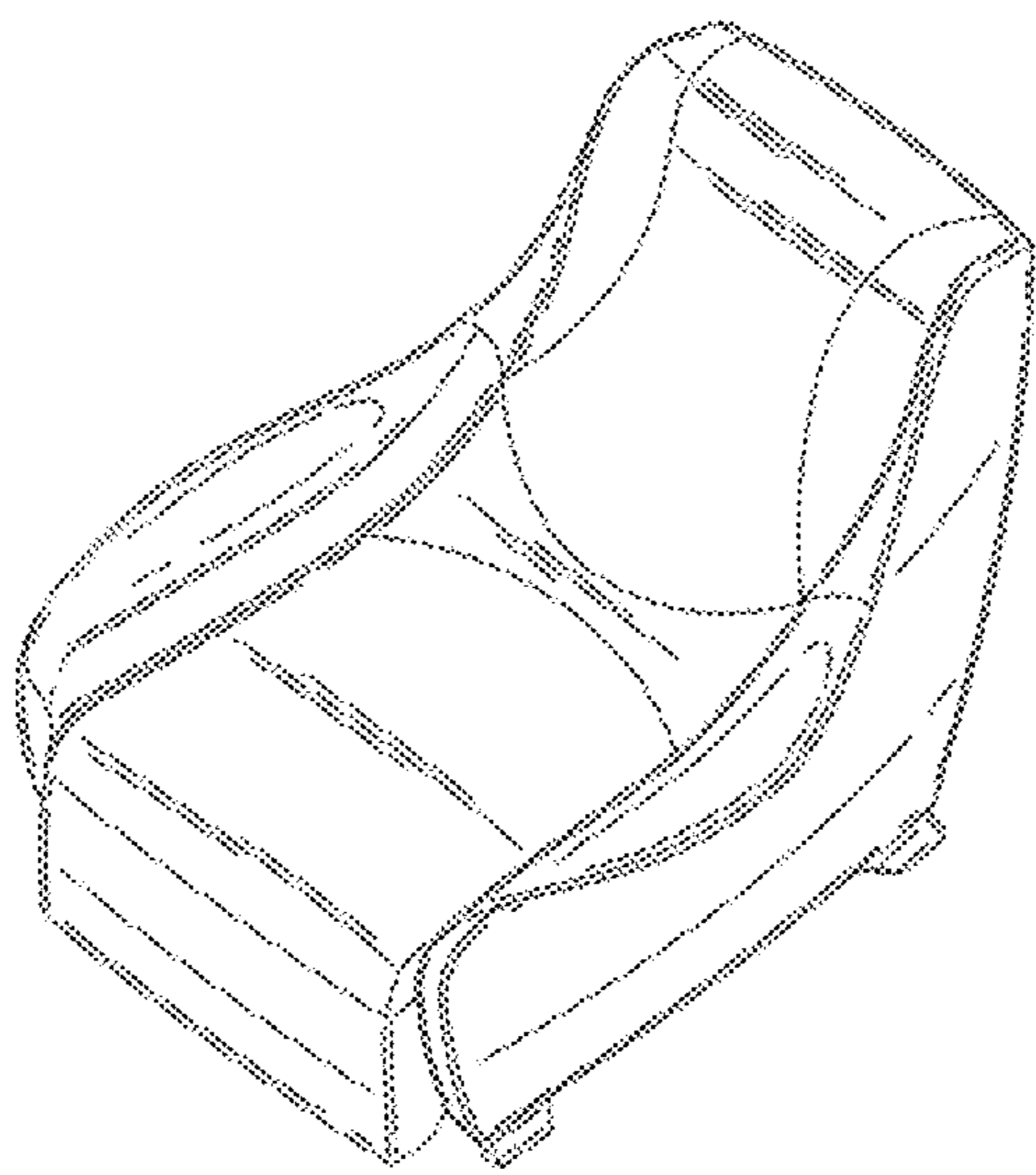


Fig. 1

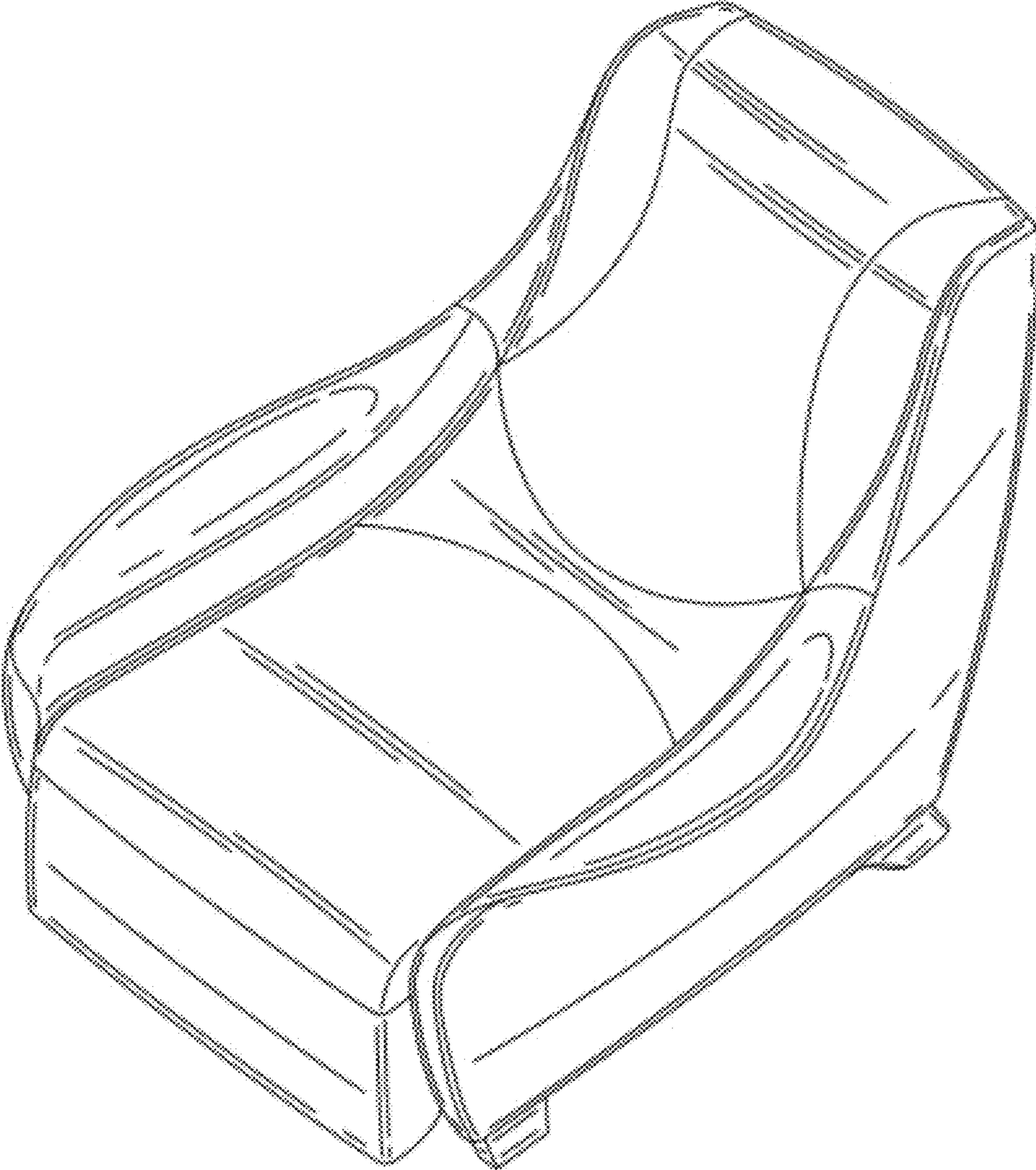


Fig.2

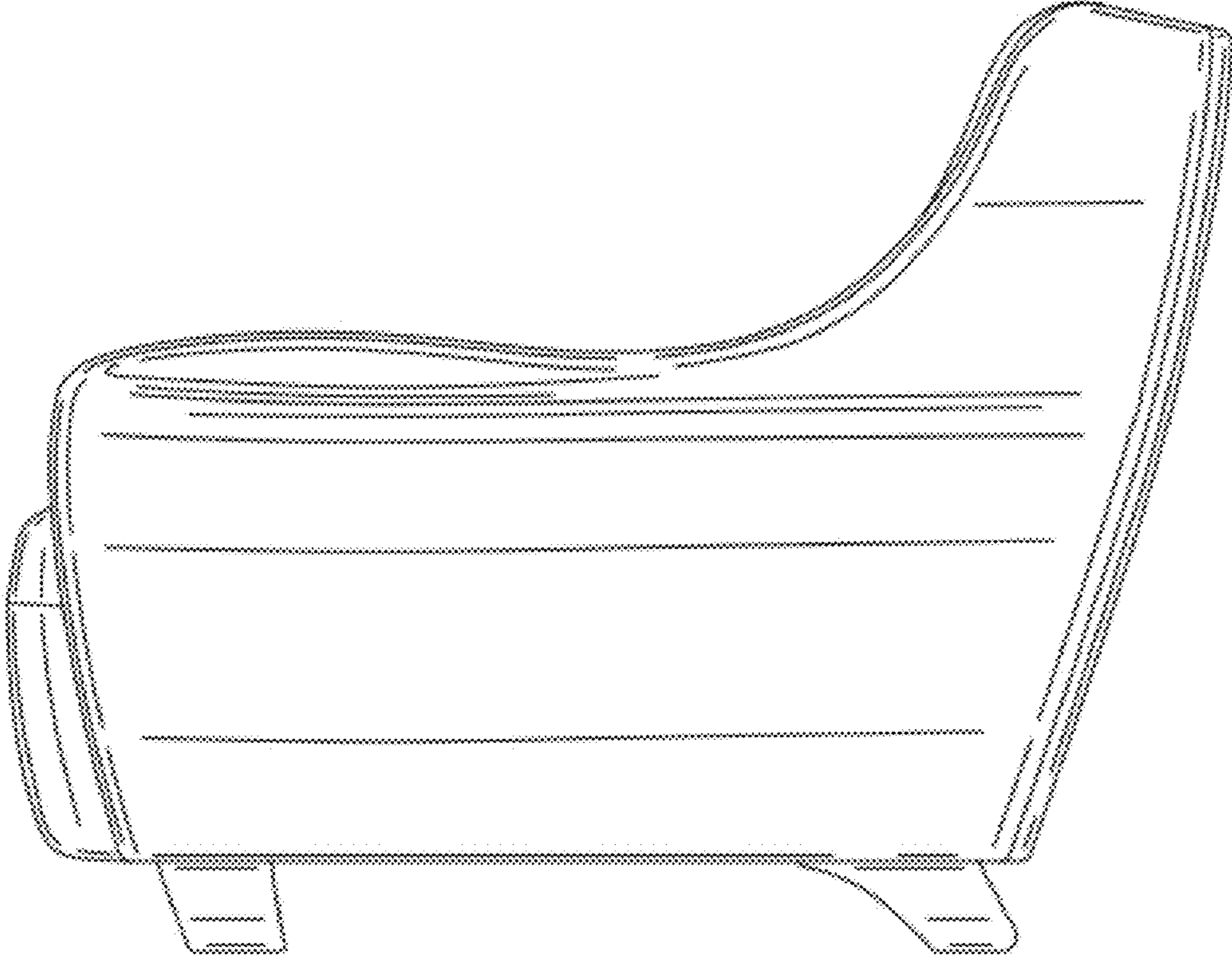


Fig.3

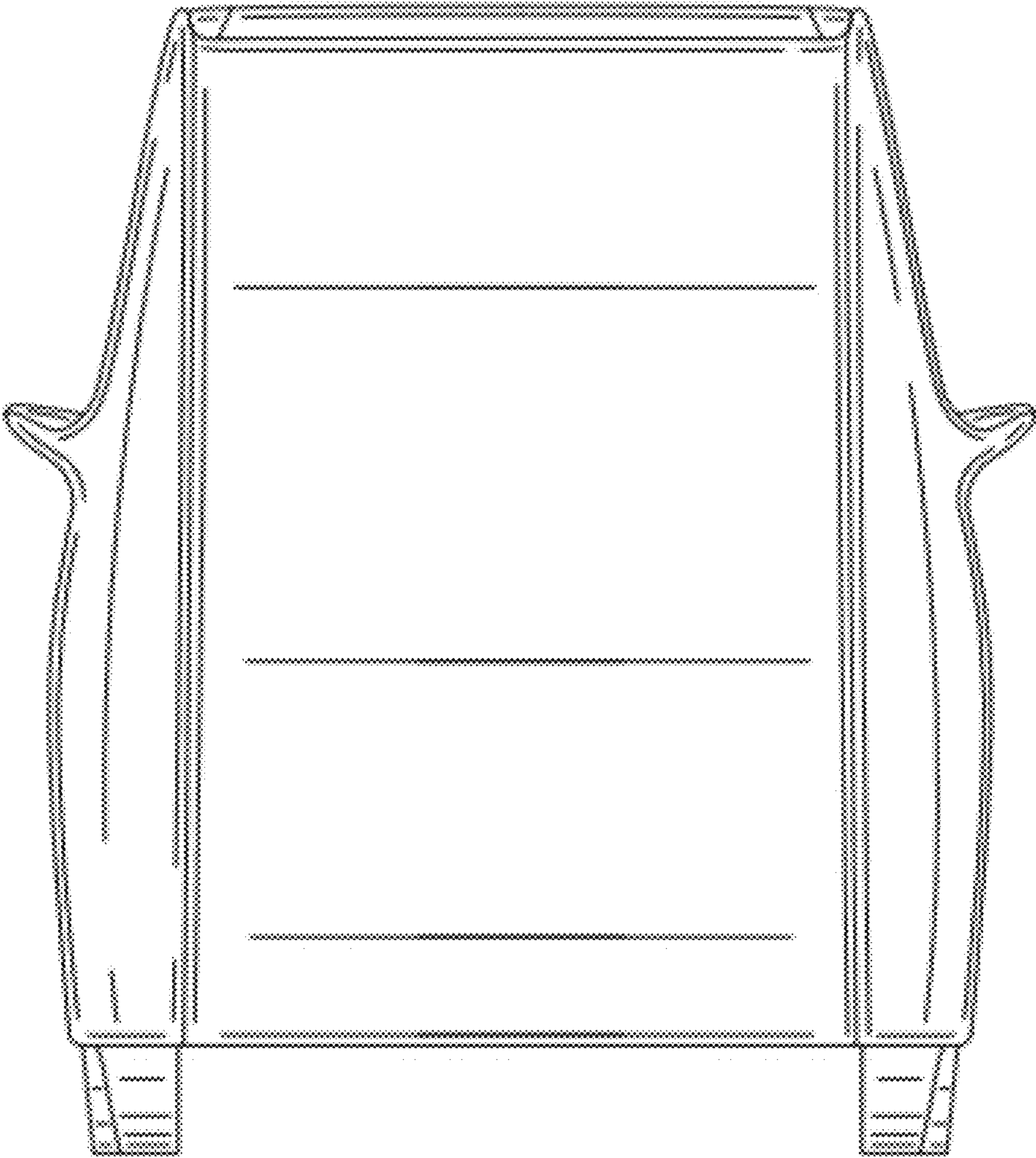


Fig.4

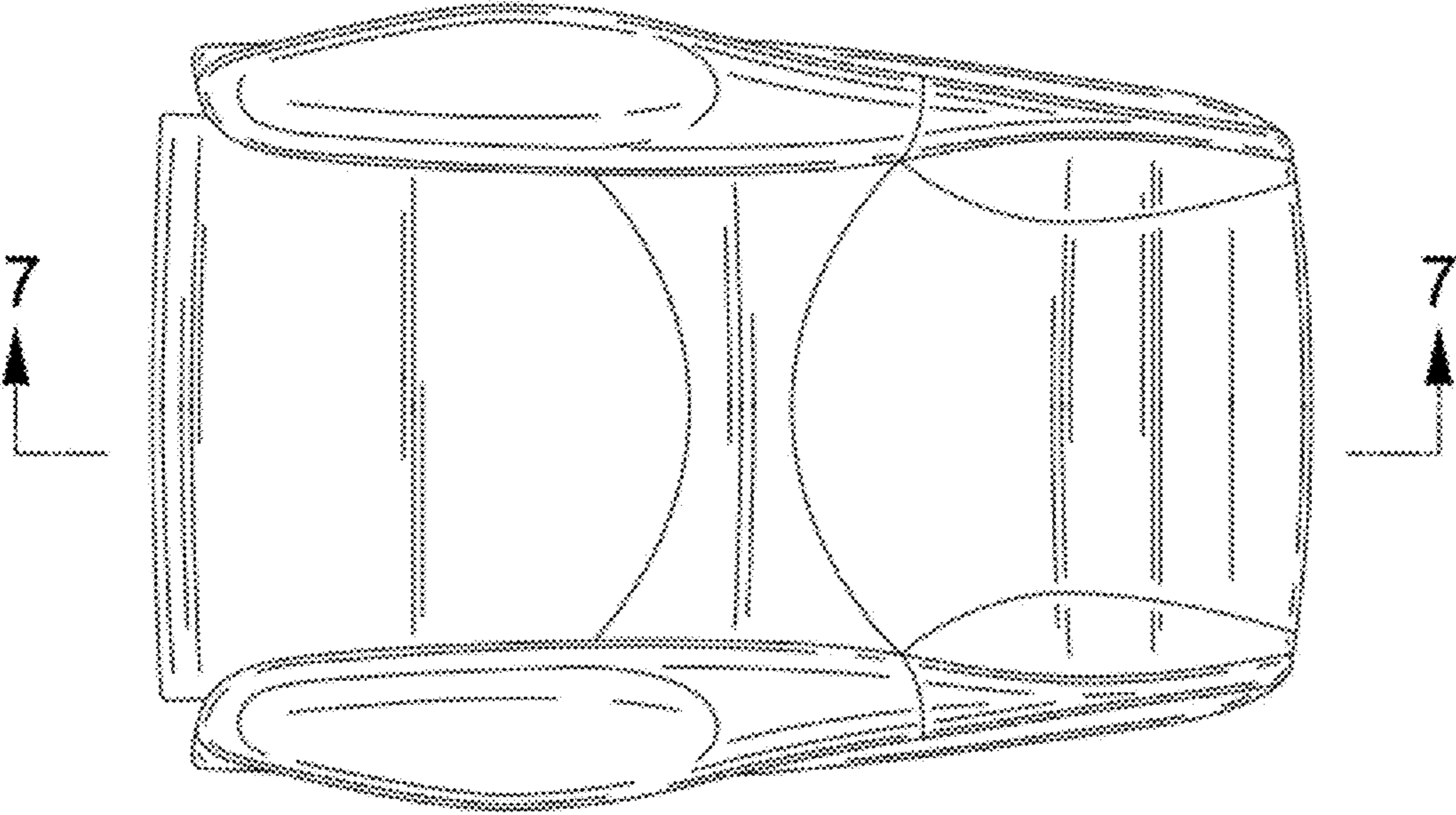


Fig.5

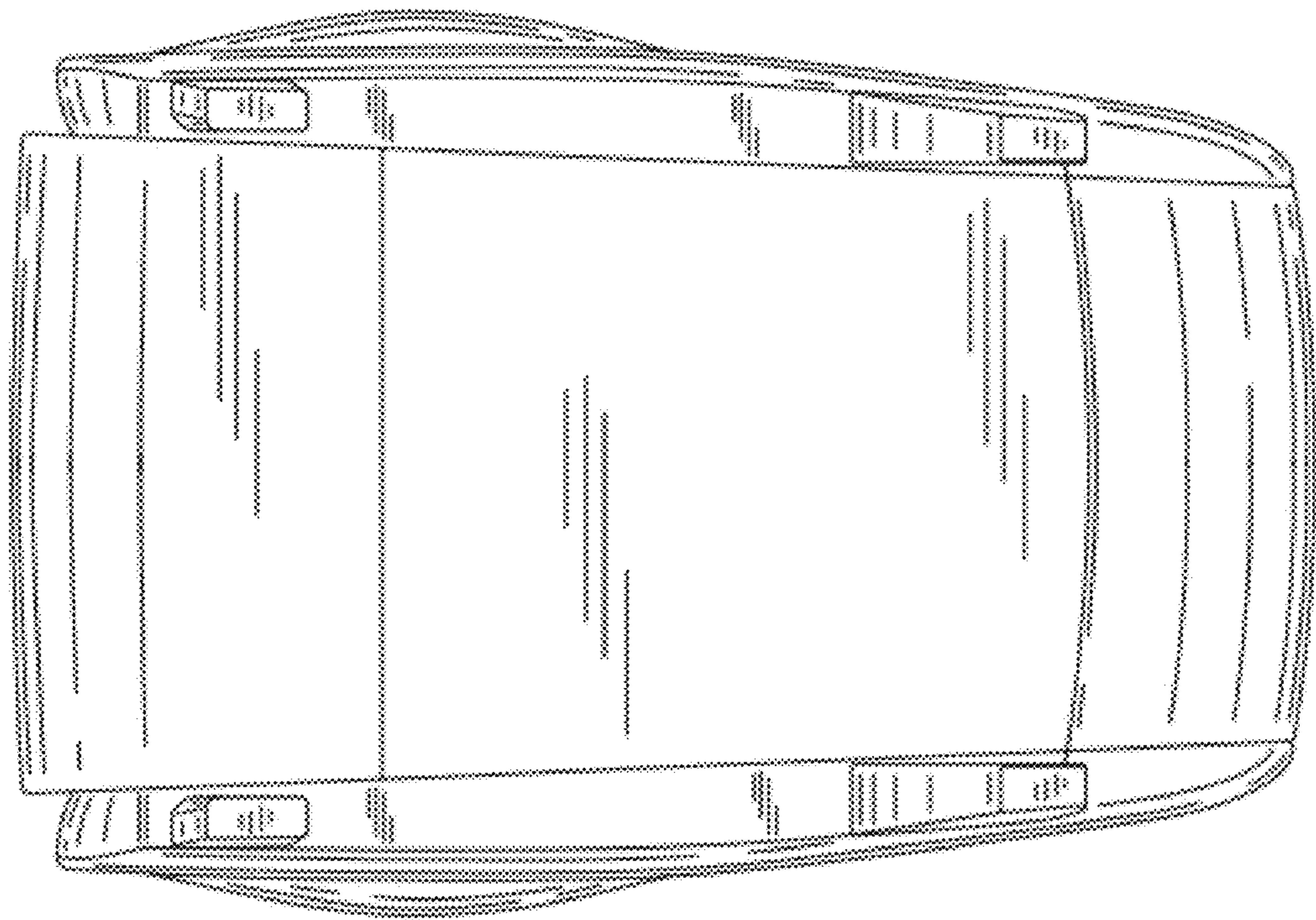


Fig.6

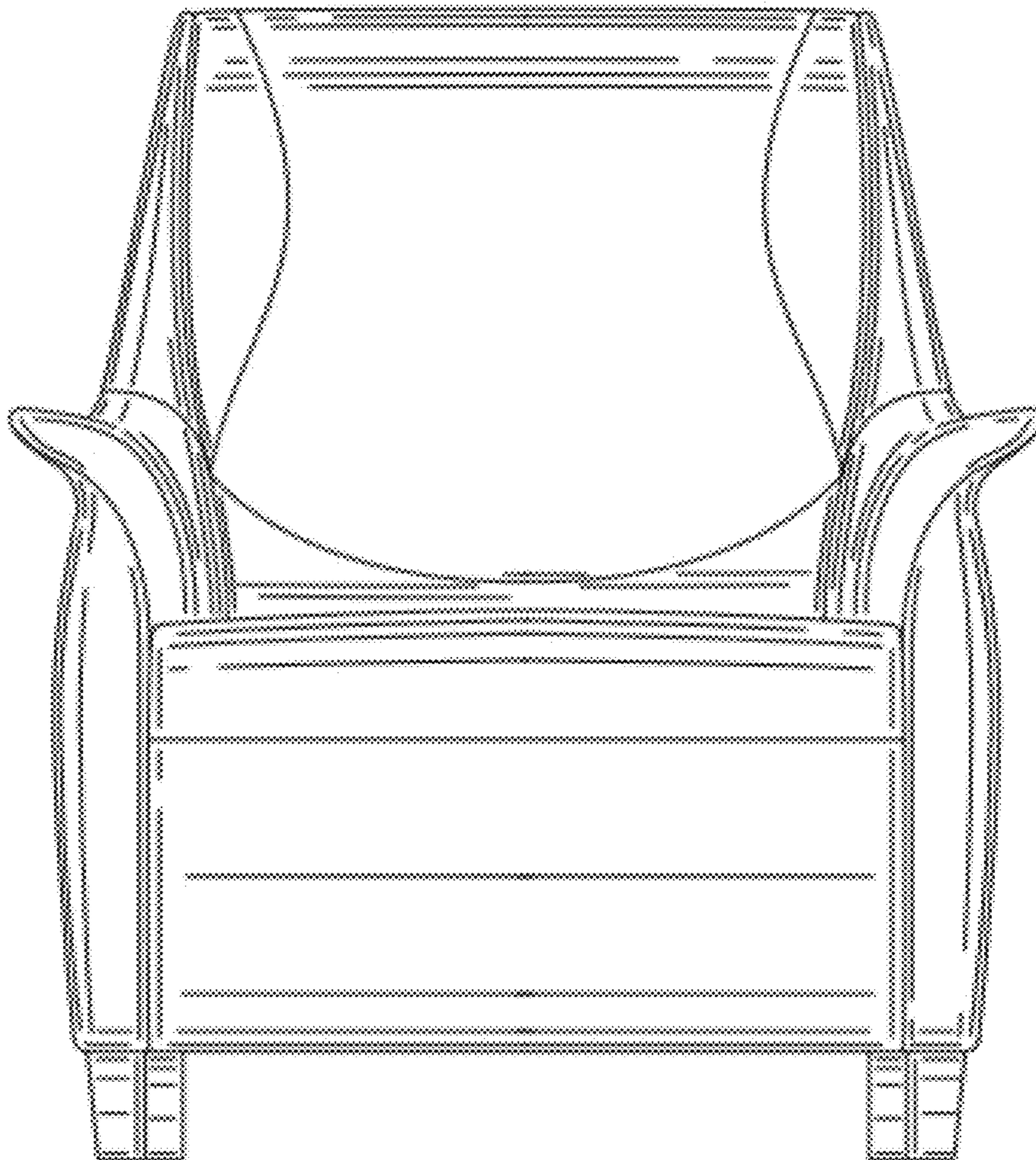


Fig.7

