



US00D661112S

(12) **United States Design Patent**
Grandin et al.

(10) **Patent No.:** **US D661,112 S**
(45) **Date of Patent:** **** Jun. 5, 2012**

(54) **DIVIDER**

(75) Inventors: **Jay Grandin**, North Vancouver (CA);
Hyun Yoo, Grand Rapids, MI (US);
Mauricio Escobar, New York, NY (US);
James Ludwig, East Grand Rapids, MI
(US); **Bruce Smith**, Grand Rapids, MI
(US); **Brett Kincaid**, Lowell, MI (US)

(73) Assignee: **Steelcase Inc.**, Grand Rapids, MI (US)

(**) Term: **14 Years**

(21) Appl. No.: **29/362,601**

(22) Filed: **May 27, 2010**

(51) **LOC (9) Cl.** **06-06**

(52) **U.S. Cl.** **D6/332**

(58) **Field of Classification Search** D6/381,
D6/332; 312/257.1, 101; 52/238.1, 239;
135/902

See application file for complete search history.

(56) **References Cited**

U.S. PATENT DOCUMENTS

2,078,975 A 5/1937 Roberts
3,456,980 A 7/1969 Vandergrift
3,596,297 A 8/1971 James
3,619,006 A 11/1971 Barecki

(Continued)

FOREIGN PATENT DOCUMENTS

EP 1498053 A1 1/2005

(Continued)

OTHER PUBLICATIONS

Public showing, NEOCON® World Trade Fair 2008, Jun. 4, 2008,
Chicago, IL.

Primary Examiner — Doris Clark

(74) *Attorney, Agent, or Firm* — Price Heneveld LLP

(57) **CLAIM**

We claim the ornamental design of a divider, as shown and described.

DESCRIPTION

FIG. 1 is a perspective view of a first embodiment of the divider;

FIG. 2 is a front elevational view of the first embodiment of the divider;

FIG. 3 is an elevational view of a side of the first embodiment of the divider, the opposite side being a mirror image thereof;

FIG. 4 is rear elevational view of the first embodiment of the divider;

FIG. 5 is a top plan view of the first embodiment of the divider;

FIG. 6 is a bottom plan view of the first embodiment of the divider;

FIG. 7 is a perspective view of a second embodiment of the divider;

FIG. 8 is a front elevational view of the second embodiment of the divider;

FIG. 9 is an elevational view of a side of the second embodiment of the divider, the opposite side being a mirror image thereof;

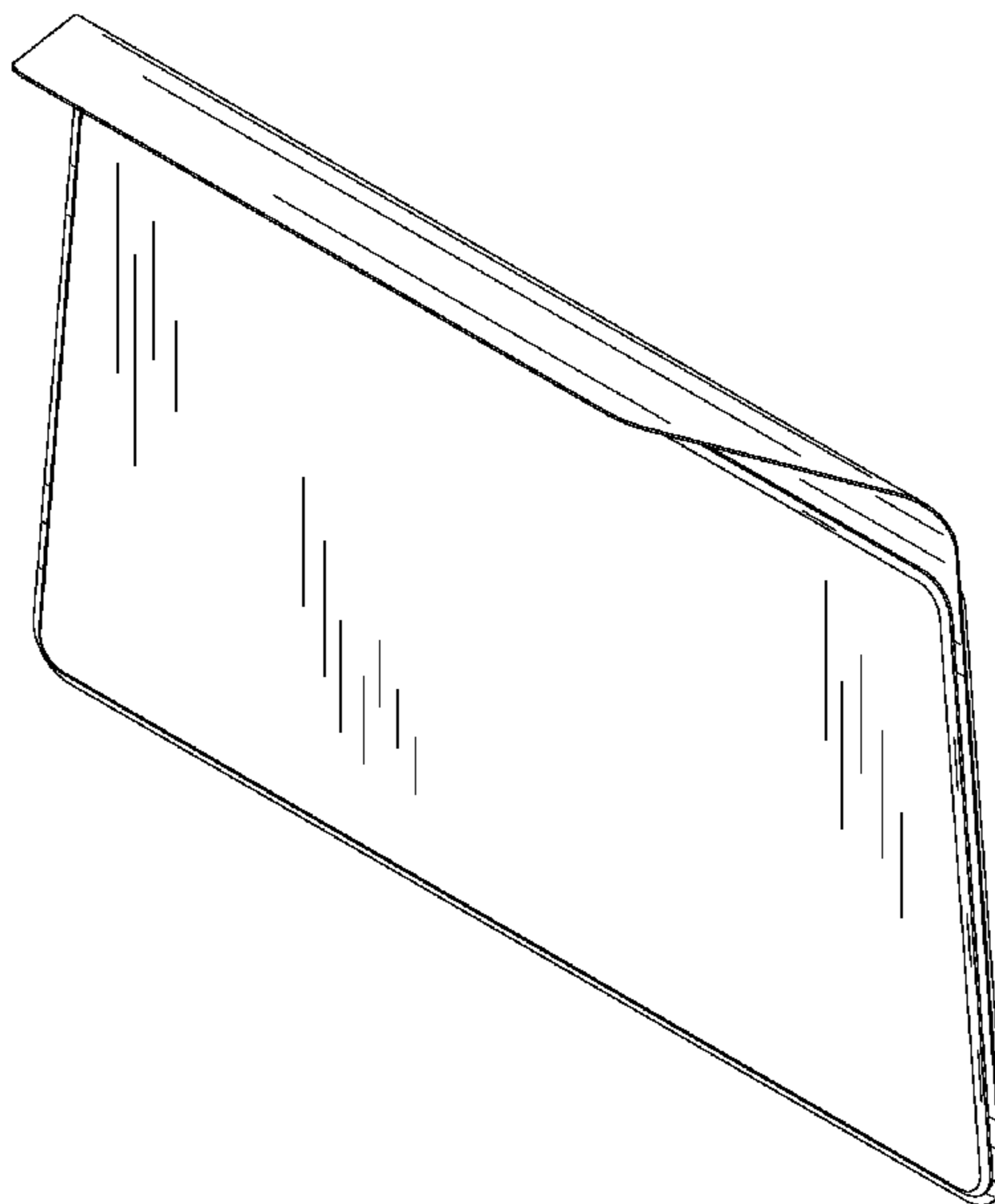
FIG. 10 is rear elevational view of the second embodiment of the divider;

FIG. 11 is a top plan view of the second embodiment of the divider; and,

FIG. 12 is a bottom plan view of the second embodiment of the divider.

The divider is illustrated with a symbolic break in its length. The appearance of the area of the article at the center between the break lines form no part of the claimed design.

1 Claim, 10 Drawing Sheets



US D661,112 S

Page 2

U.S. PATENT DOCUMENTS

3,745,305 A 7/1973 Reed et al.
3,858,643 A 1/1975 Reed et al.
D240,481 S 7/1976 Fister
4,097,002 A 6/1978 Krueger
4,183,488 A 1/1980 Shepard
4,231,300 A 11/1980 Shepard
4,284,095 A 8/1981 Norton
D261,953 S 11/1981 Aronowitz et al.
D261,954 S 11/1981 Aronowitz et al.
D261,955 S 11/1981 Aronowitz et al.
D262,163 S 12/1981 Aronowitz et al.
D262,164 S 12/1981 Aronowitz et al.
D264,027 S 4/1982 Aronowitz et al.
4,408,742 A 10/1983 Korb
4,986,330 A * 1/1991 McGonagle 160/135
5,154,473 A 10/1992 Joranco
D335,035 S 4/1993 Floyd
D338,349 S 8/1993 Warnock
D360,311 S 7/1995 Stamberg et al.
5,441,067 A 8/1995 James et al.
D367,566 S 3/1996 Walters, III et al.
D369,680 S * 5/1996 Spielvogel D6/332
D374,512 S 10/1996 Kiley et al.
5,848,772 A 12/1998 Fitzgerald
5,971,171 A 10/1999 Thorp et al.
6,067,762 A * 5/2000 Greer et al. 52/220.7
6,244,286 B1 6/2001 Russo
D460,630 S * 7/2002 Ritch et al. D6/332
6,447,067 B1 9/2002 Williams et al.

D472,726 S 4/2003 Calfa
6,845,780 B2 1/2005 Bishirjian
6,931,795 B1 8/2005 Baloga et al.
7,032,523 B2 4/2006 Forslund, III et al.
7,055,289 B2 6/2006 Guth
D526,803 S 8/2006 Lee
7,240,683 B2 7/2007 Zutich
7,252,339 B2 8/2007 Owens
D553,867 S 10/2007 Williams et al.
D555,384 S 11/2007 Borgonovo
D560,919 S 2/2008 Simons, Jr.
7,347,404 B2 3/2008 Anzai
D566,980 S 4/2008 Mourgue
D567,526 S 4/2008 Williams et al.
7,374,238 B2 5/2008 Lingwall
D575,962 S 9/2008 Senko et al.
D575,963 S 9/2008 Gomez
7,431,389 B2 10/2008 Reeb et al.
D609,034 S 2/2010 Lissoni
2002/0166934 A1 11/2002 Marsh
2003/0150180 A1 * 8/2003 Briskman 52/239
2004/0250480 A1 12/2004 Matthai
2006/0054207 A1 3/2006 Wootliff
2008/0067304 A1 3/2008 Barnes
2009/0007947 A1 1/2009 Spangenberg

FOREIGN PATENT DOCUMENTS

WO 9114386 A1 10/1991

* cited by examiner

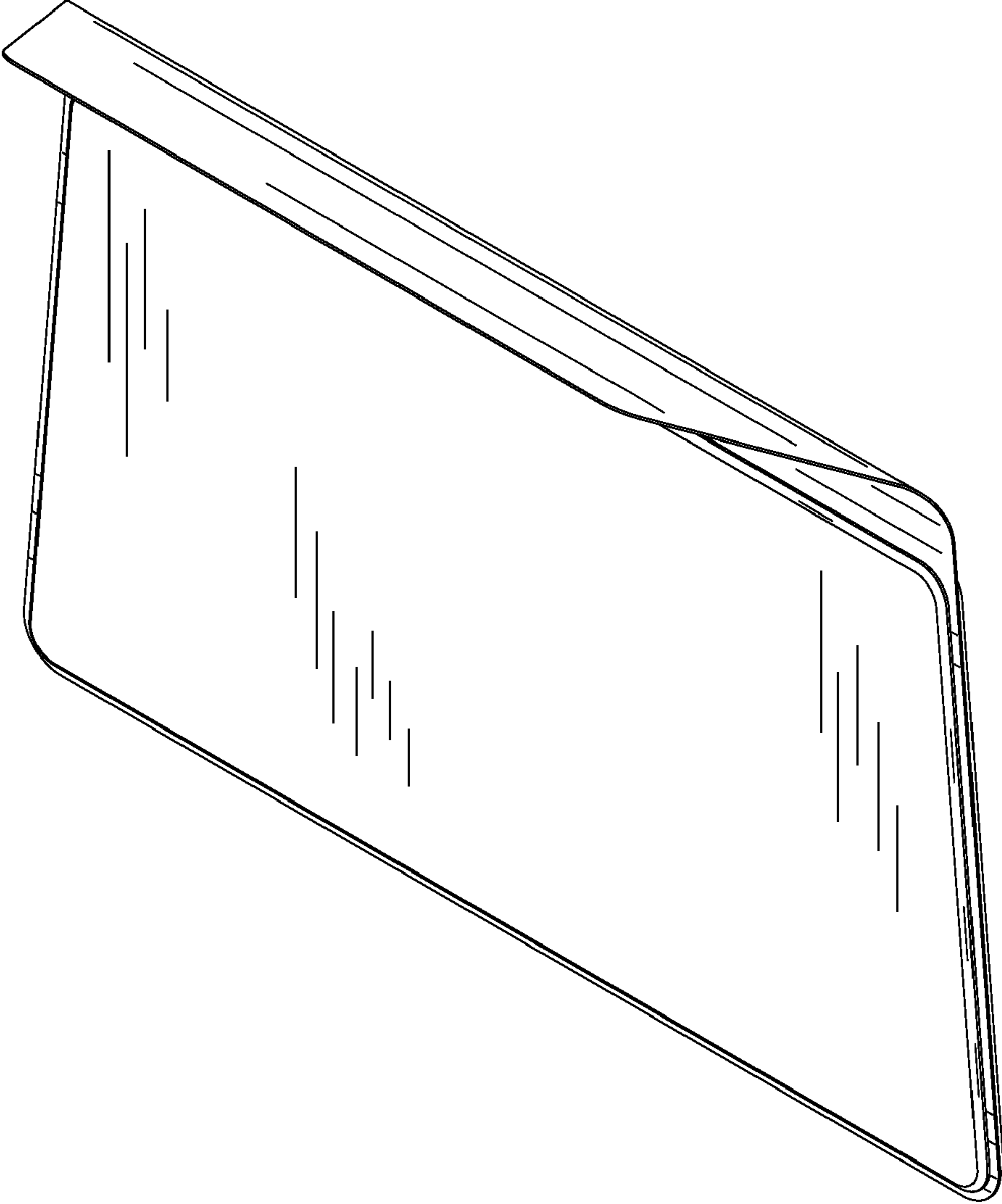


FIG. 1

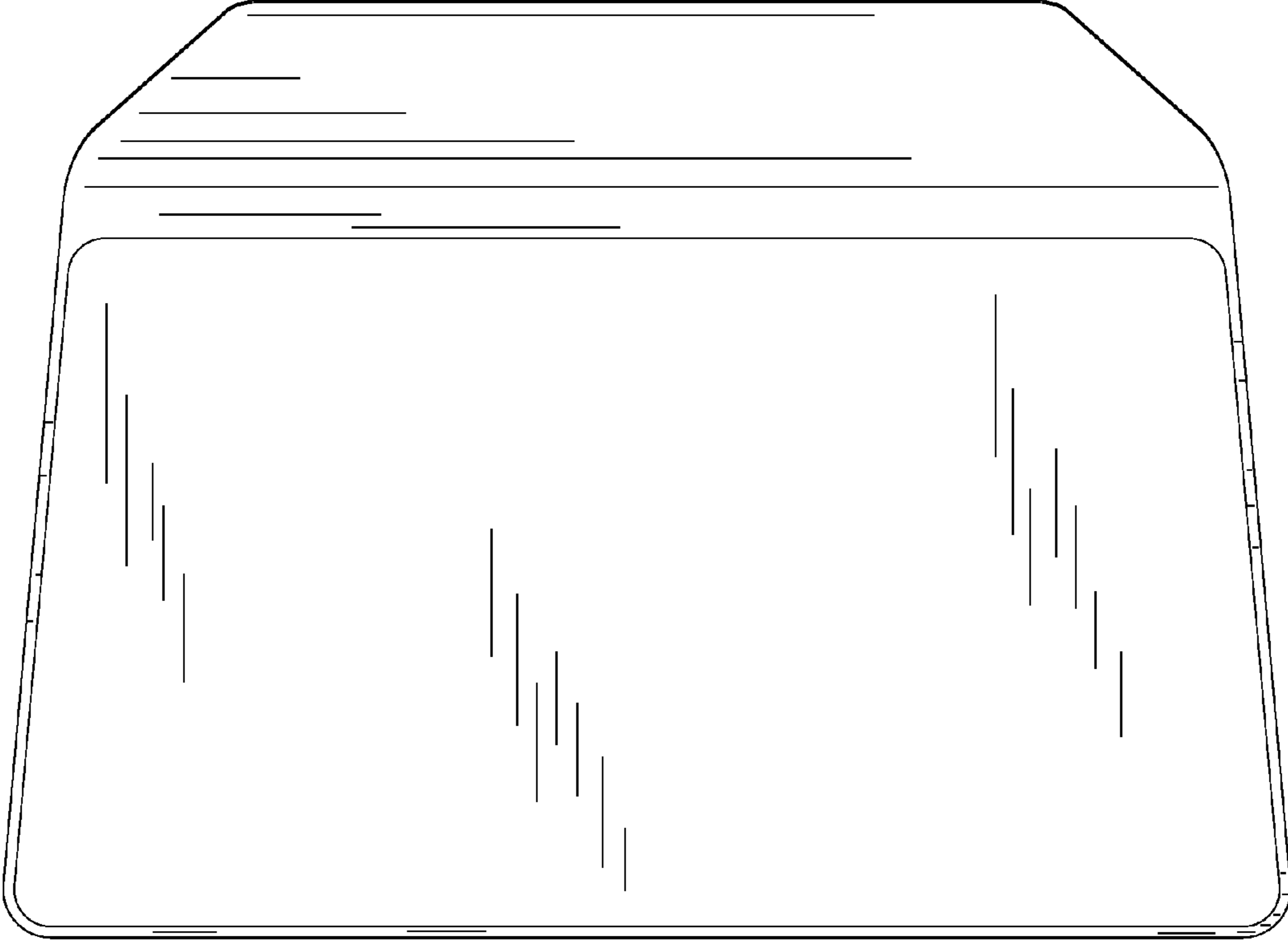


FIG. 2

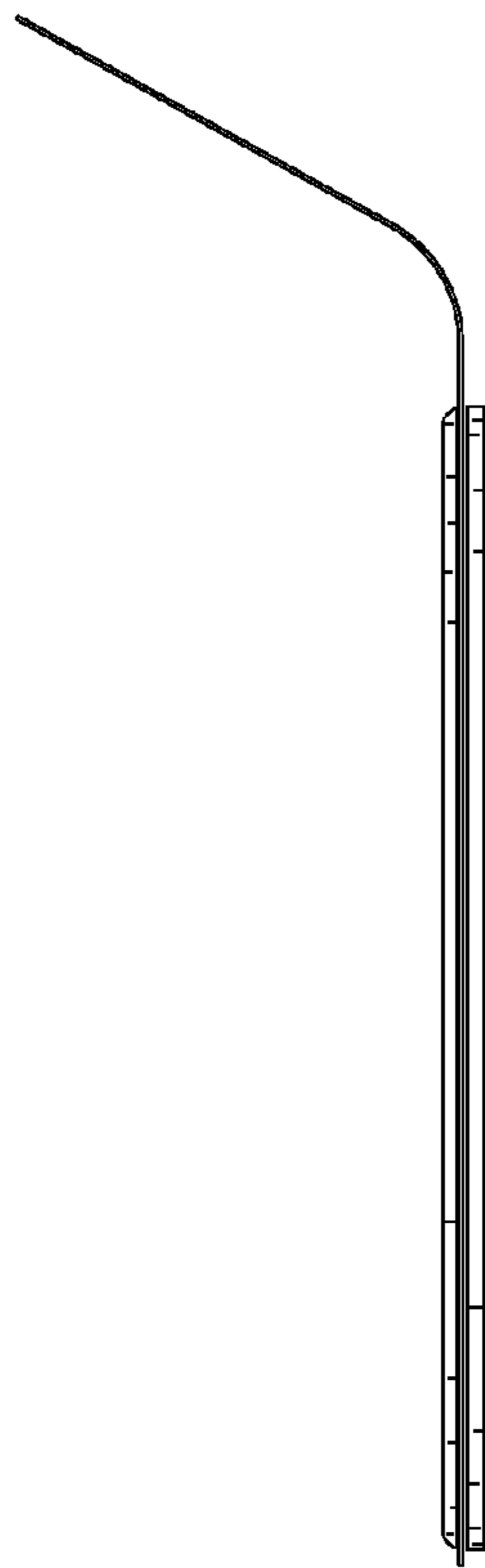


FIG. 3

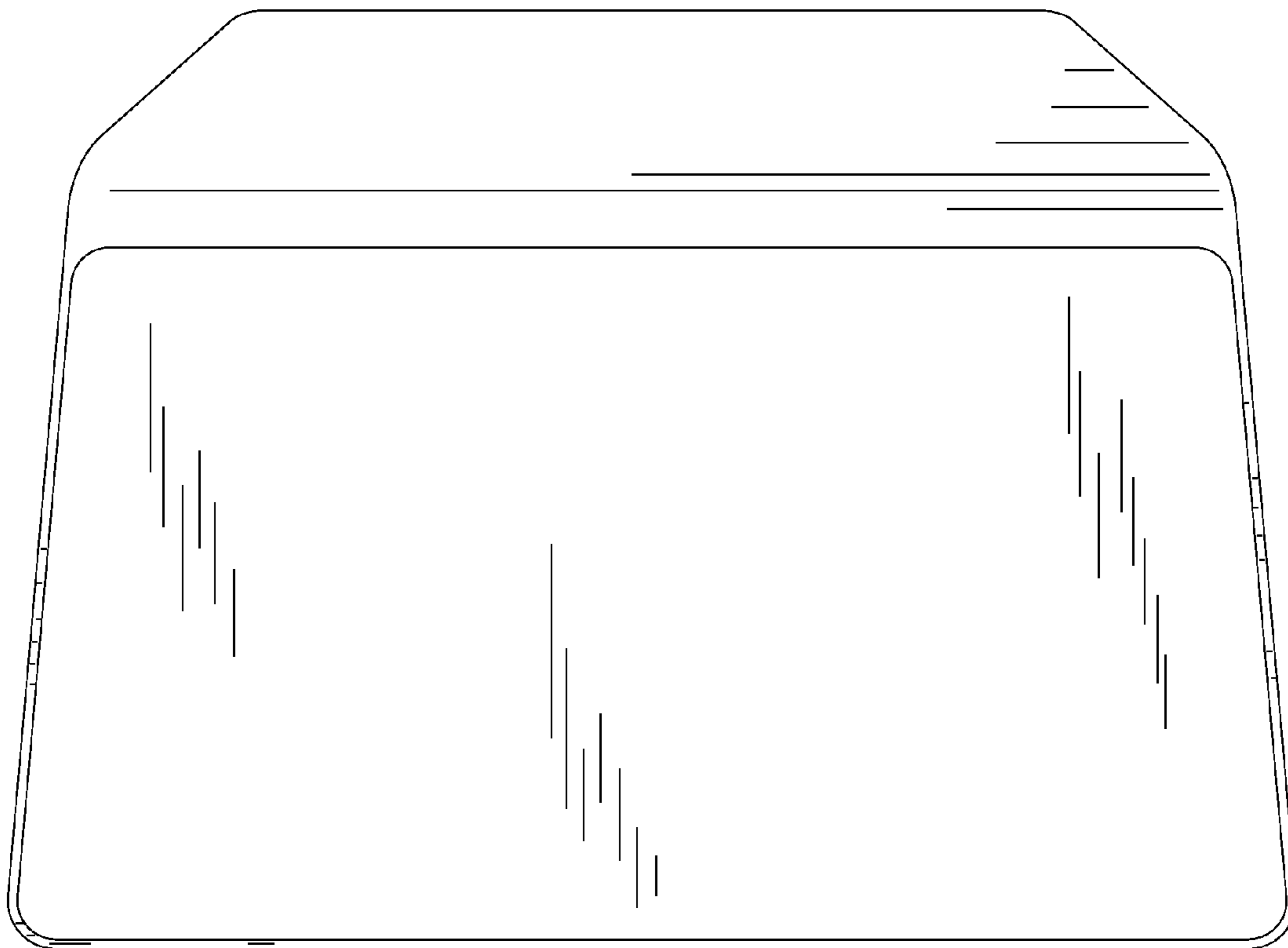


FIG. 4

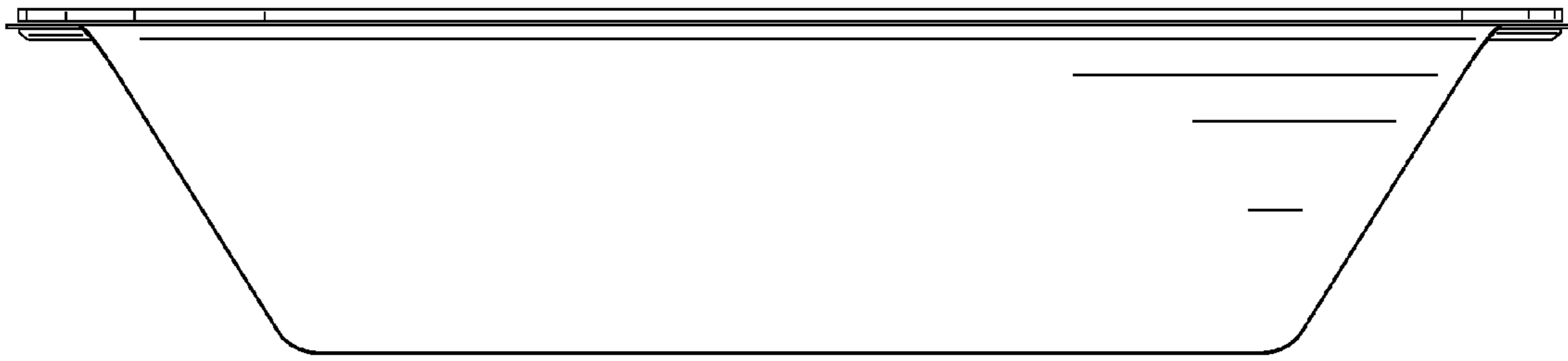


FIG. 5



FIG. 6

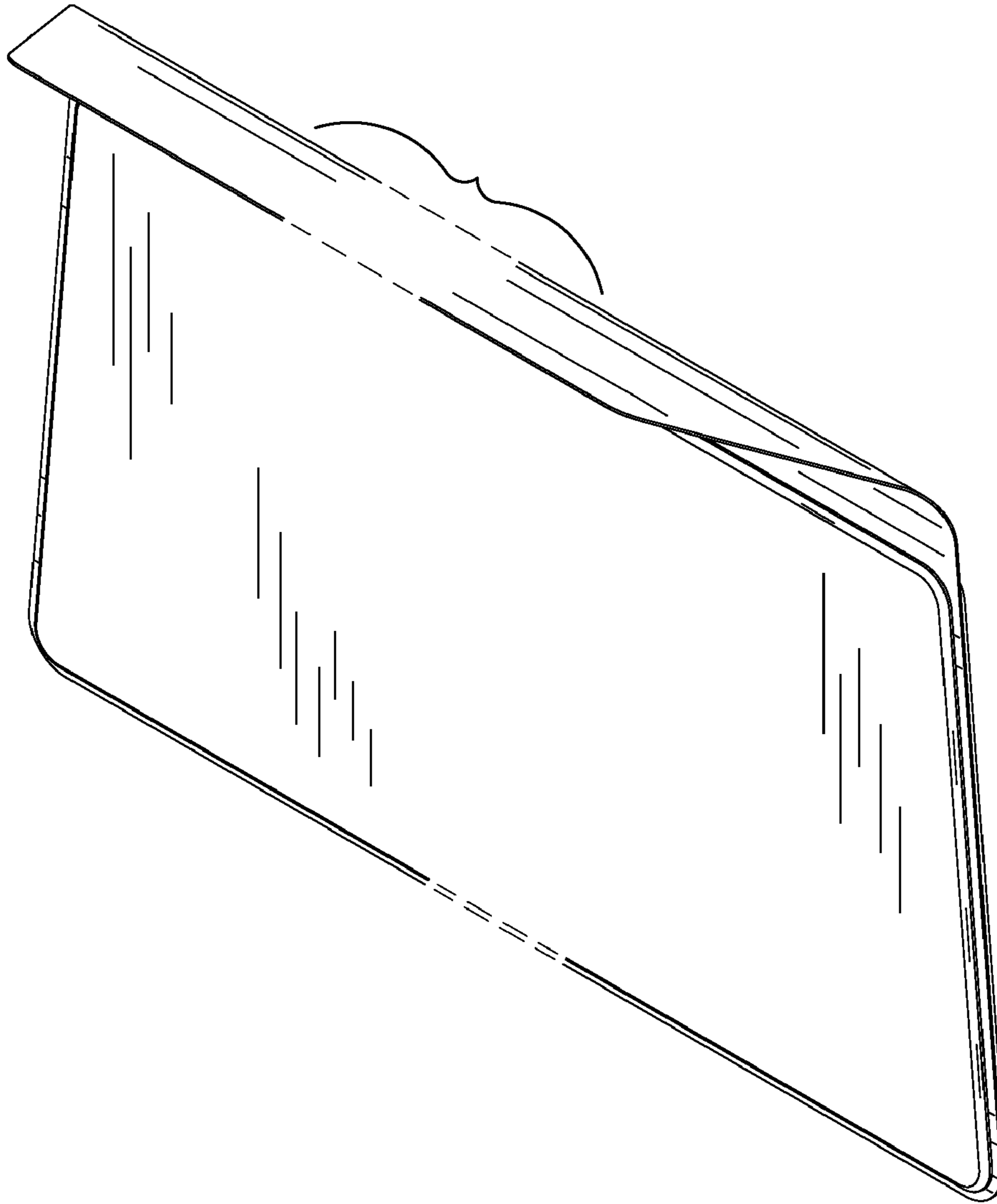


FIG. 7

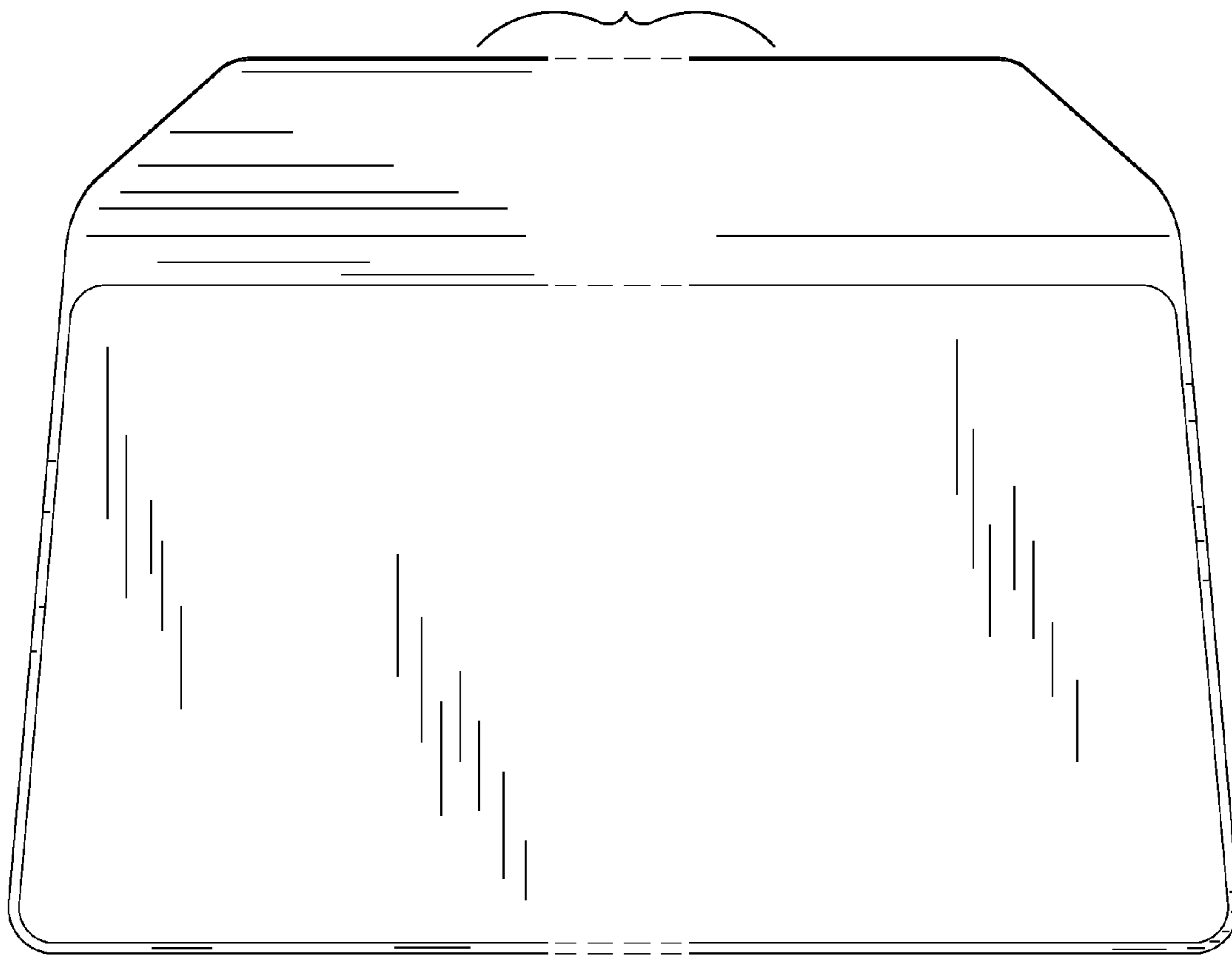


FIG. 8

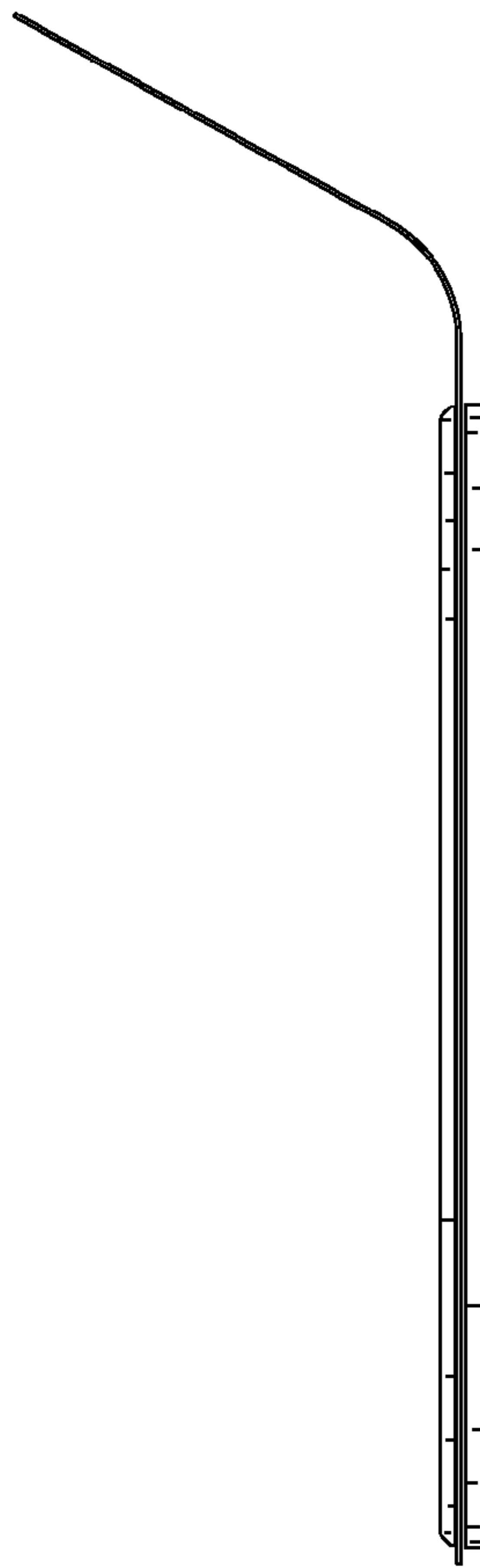


FIG. 9

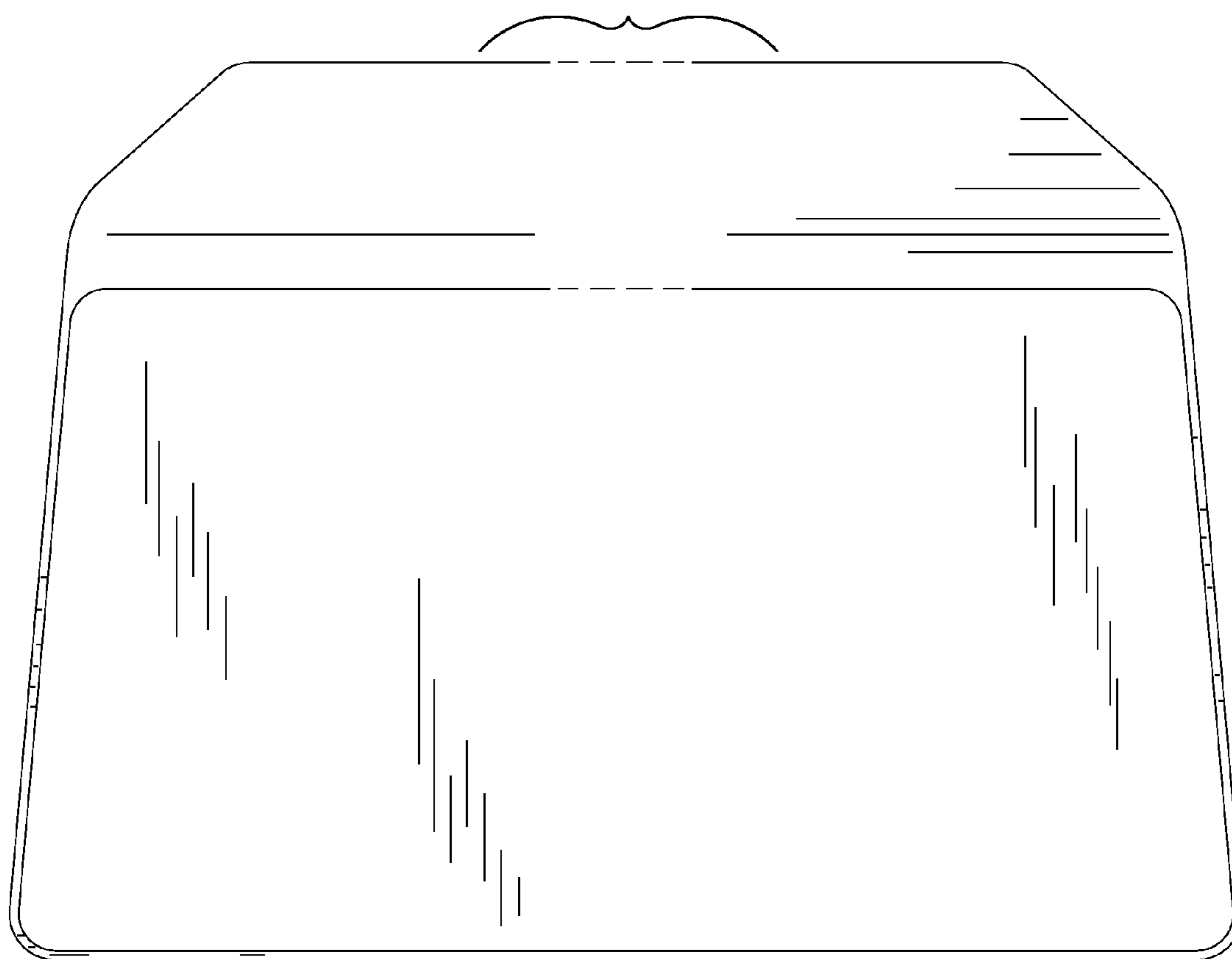


FIG. 10

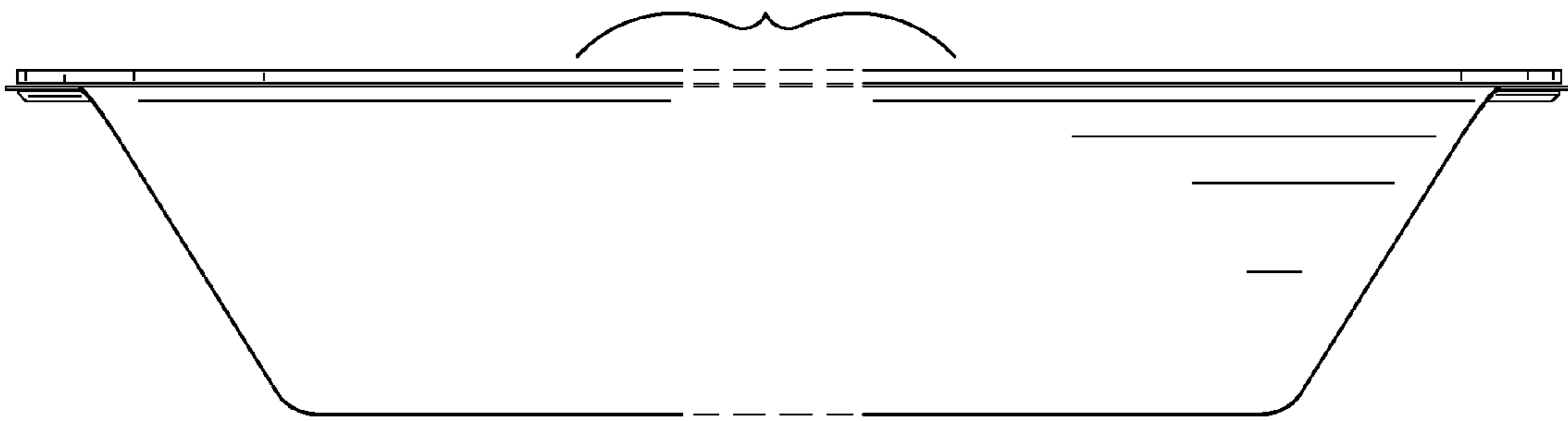


FIG. 11

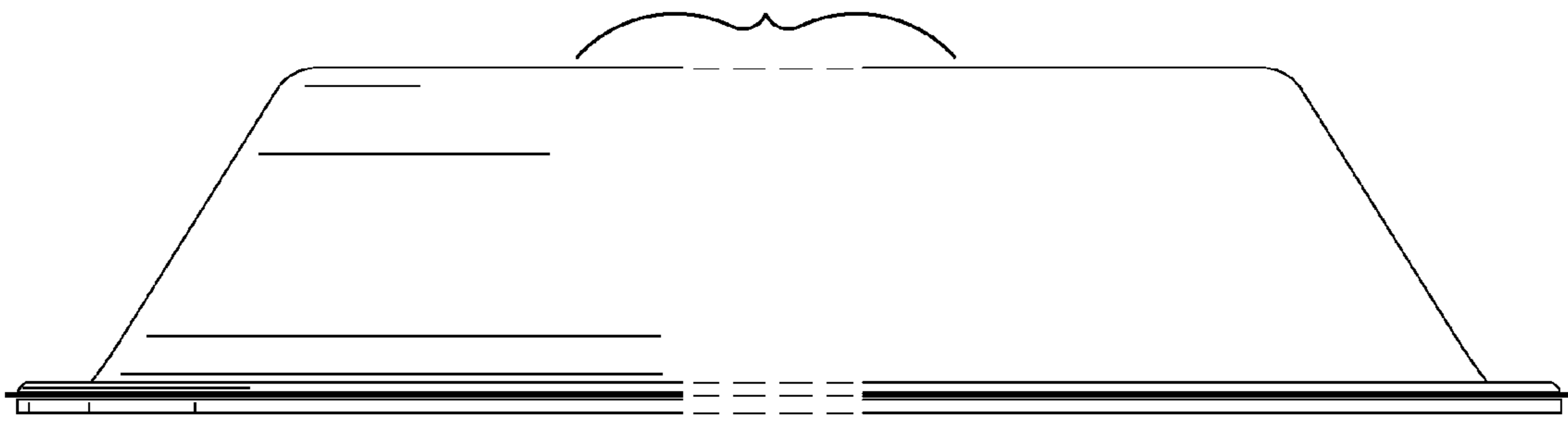


FIG. 12