



US00D661110S

(12) **United States Design Patent**  
**Wahliq**

(10) **Patent No.:** **US D661,110 S**  
(45) **Date of Patent:** **\*\* Jun. 5, 2012**

(54) **CLOTHES HANGER**

(75) Inventor: **Jakeem Bashuri Wahliq**, Oakland, CA  
(US)

(73) Assignee: **Jakeem Wahliq**, Oakland, CA (US)

(\*\*) Term: **14 Years**

(21) Appl. No.: **29/315,102**

(22) Filed: **May 26, 2009**

(51) **LOC (9) Cl.** ..... **06-08**

(52) **U.S. Cl.** ..... **D6/319**

(58) **Field of Classification Search** ..... D6/315-328;  
211/113, 105.1, 105.2, 119, 181; 223/85-98  
See application file for complete search history.

(56) **References Cited**

**U.S. PATENT DOCUMENTS**

D118,984	S	*	2/1940	Paterson	.....	D6/319
2,340,320	A	*	2/1944	Goldbert	.....	223/91
3,477,623	A	*	11/1969	Milette et al.	.....	223/88
3,478,943	A	*	11/1969	Bobrow	.....	223/88
4,300,688	A	*	11/1981	London et al.	.....	206/286
4,901,894	A	*	2/1990	Blanchard	.....	223/96
D367,768	S	*	3/1996	Wagner	.....	D6/319
D405,343	S	*	2/1999	Oberdorf	.....	D6/319
5,868,289	A	*	2/1999	Lee	.....	223/87
D446,947	S	*	8/2001	Paloheimo	.....	D6/319

D527,536	S	*	9/2006	McCoy et al.	.....	D6/319
D562,573	S		2/2008	Herman		
7,347,346	B1		3/2008	Frankel		
7,357,281	B2		4/2008	Colucci		
D613,513	S	*	4/2010	Boyko	.....	D6/327

\* cited by examiner

*Primary Examiner* — Prabhakar Deshmukh

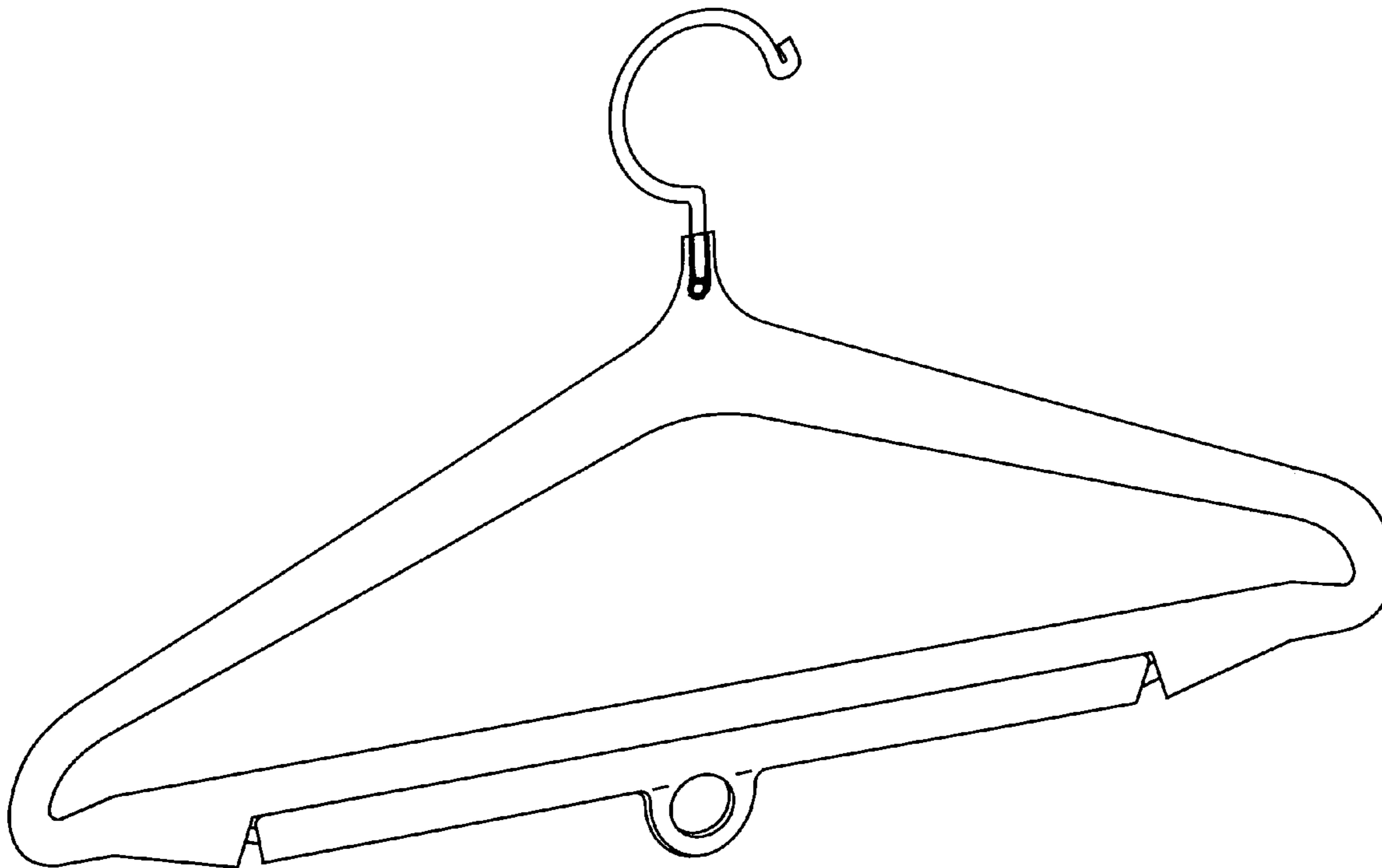
(57) **CLAIM**

The ornamental design for a clothes hanger, as shown and described.

**DESCRIPTION**

FIG. 1 is a perspective view of a clothes hanger showing my new design;  
FIG. 2 is a front elevational view thereof;  
FIG. 3 is an exploded front elevational view thereof, with the saddle shown in pulled down position;  
FIG. 4 is a sectional view taken along line 4-4 of FIG. 2;  
FIG. 5 is a sectional view taken along line 5-5 of FIG. 3;  
FIG. 6 is a top plan view thereof;  
FIG. 7 is a rear elevational view thereof;  
FIG. 8 is a side elevational view thereof; and,  
FIG. 9 is bottom plan view thereof.

**1 Claim, 4 Drawing Sheets**



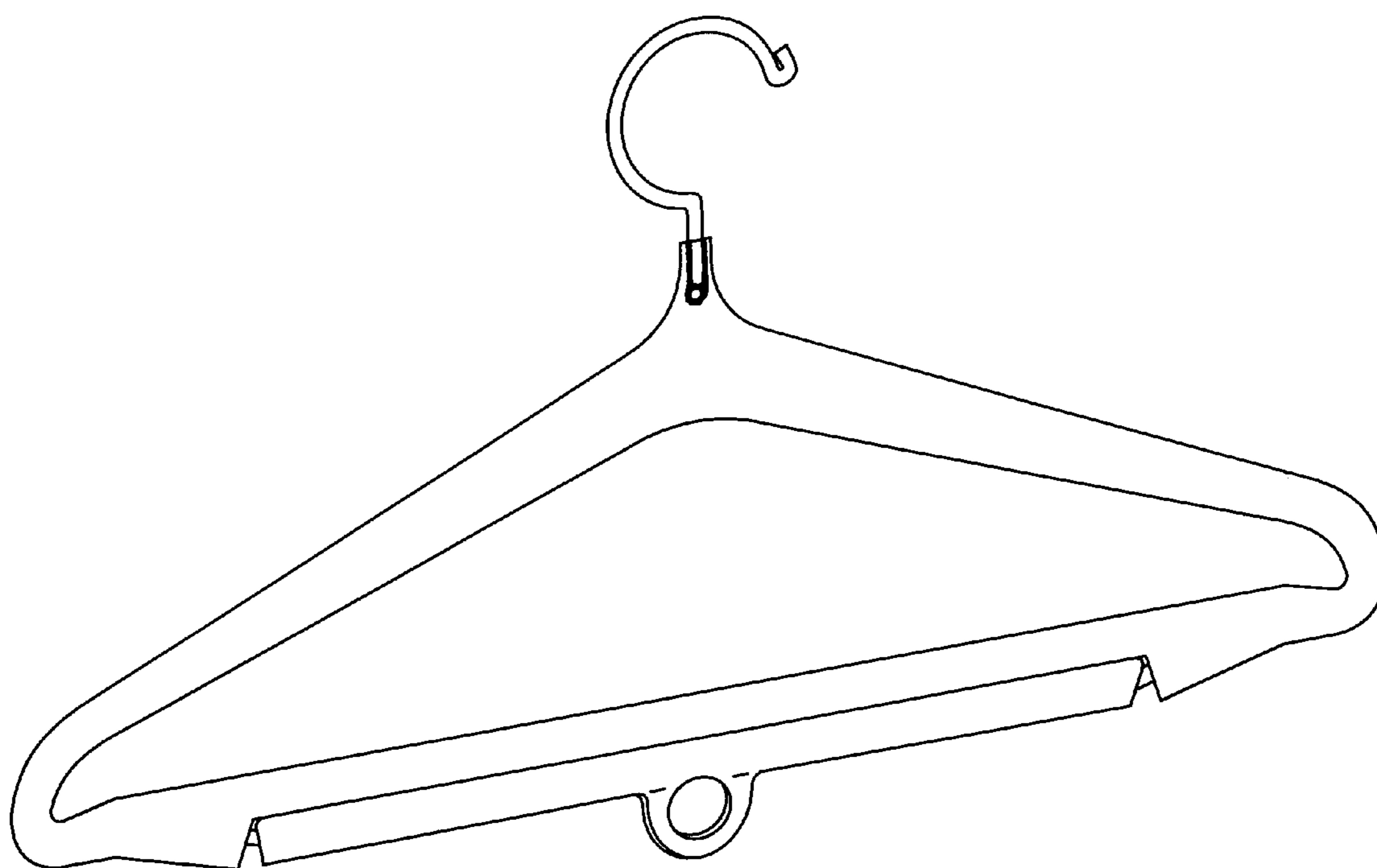
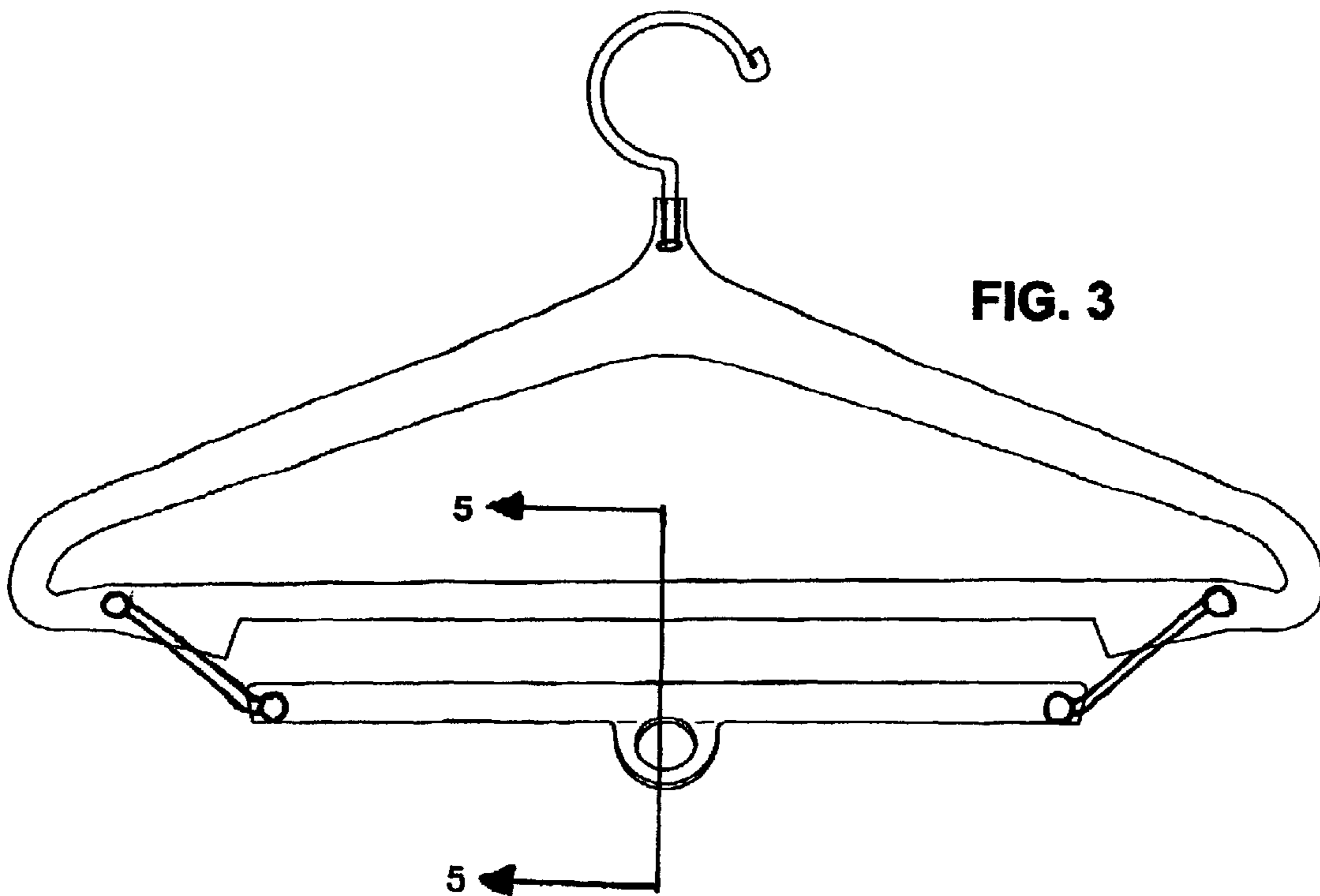
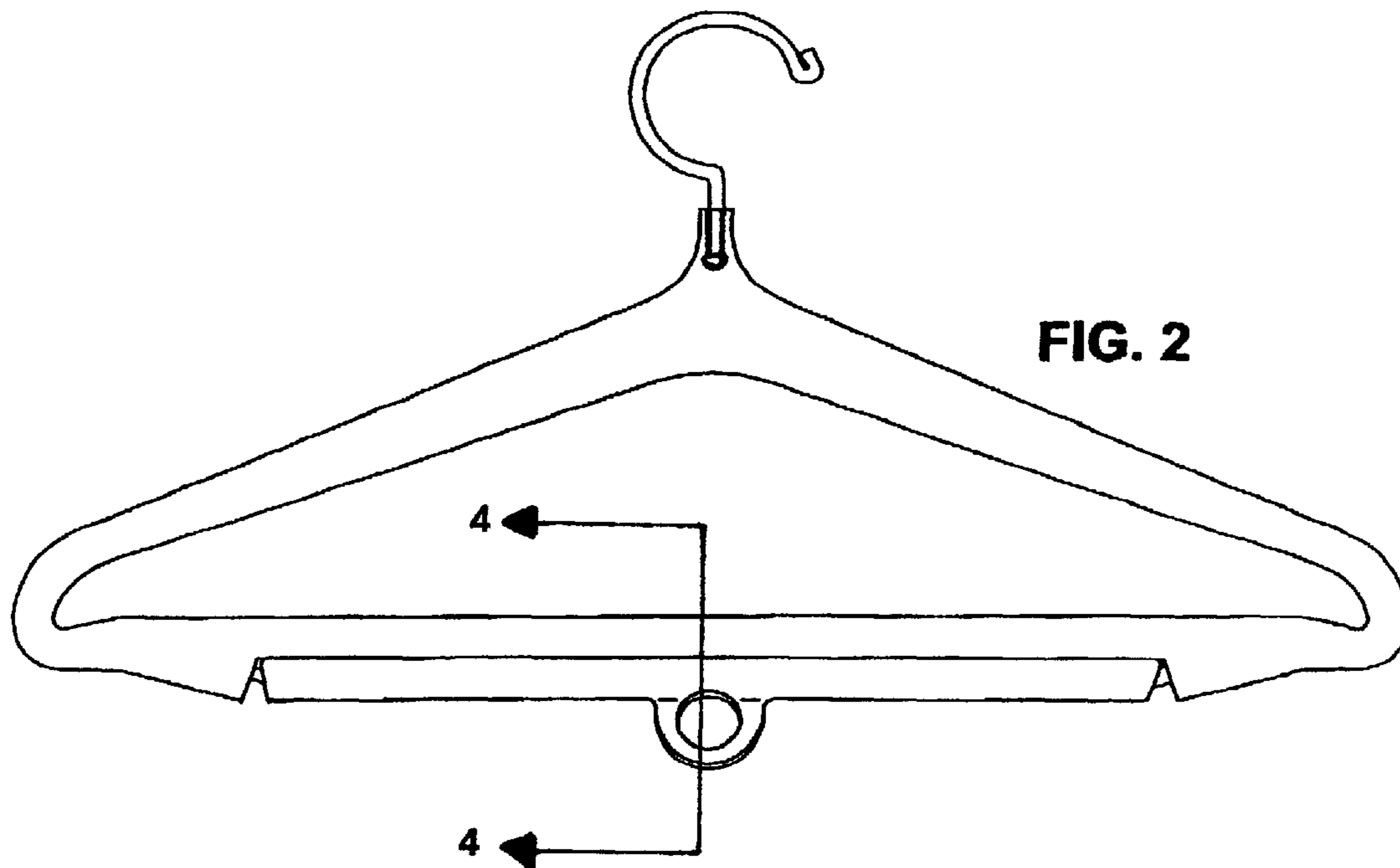
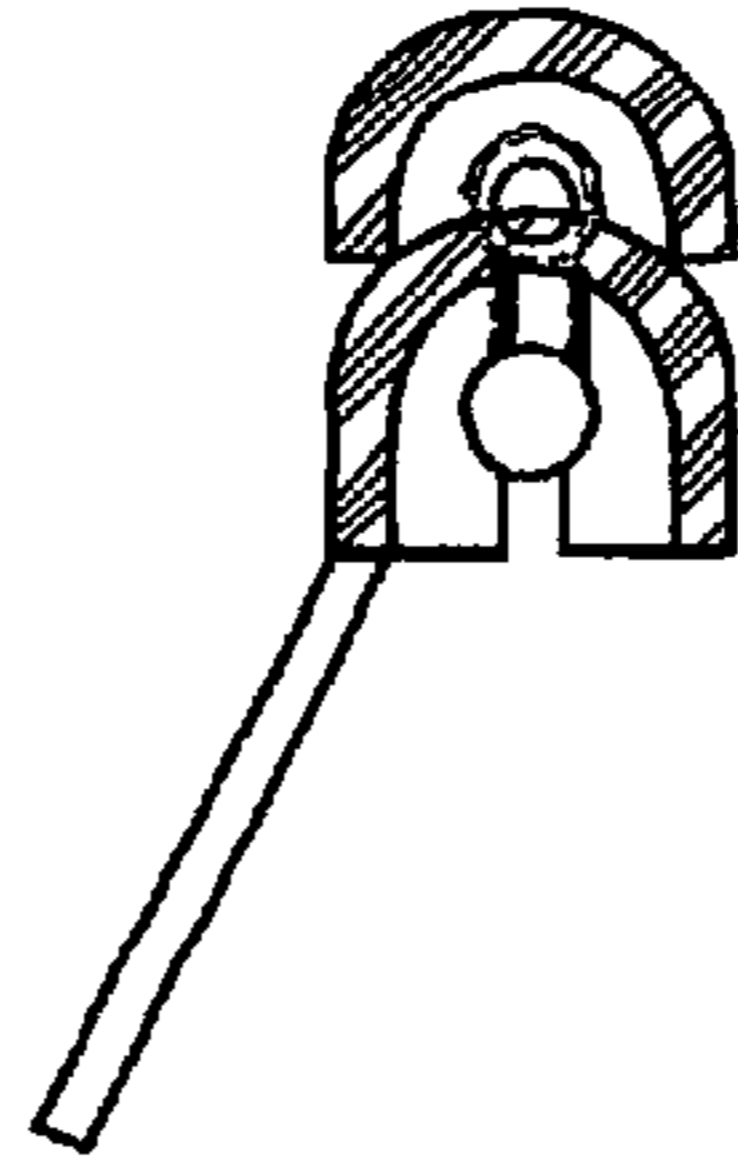
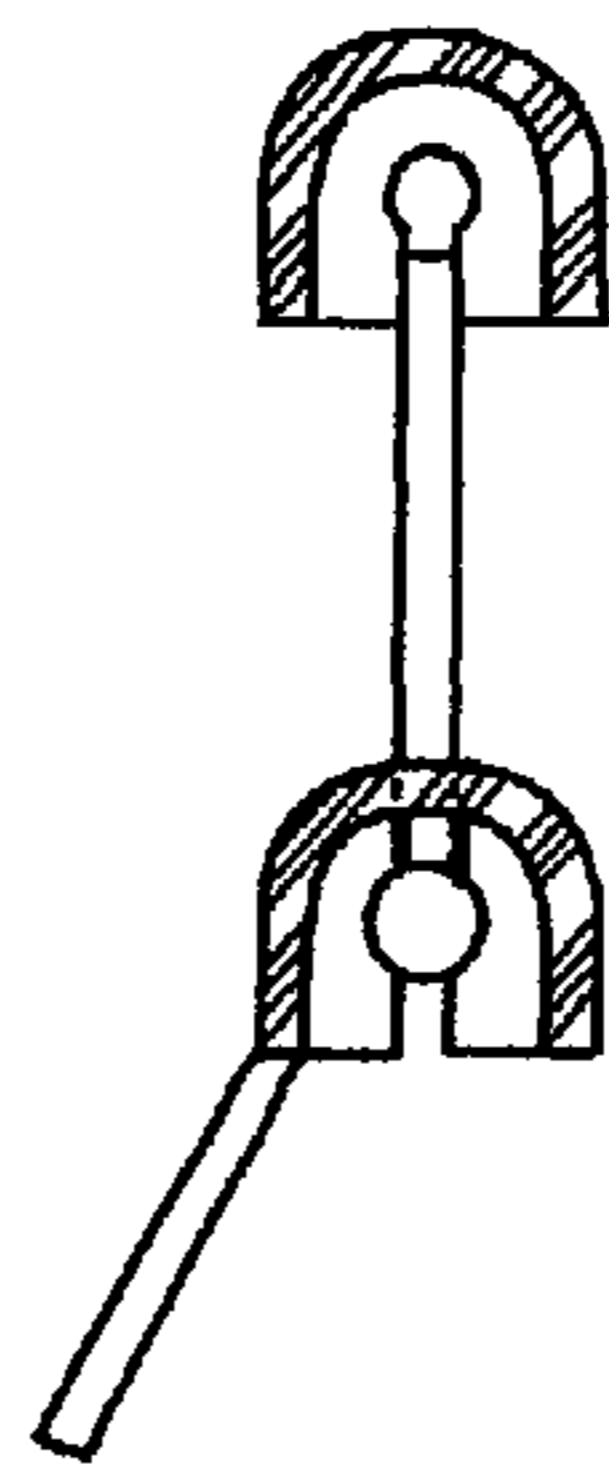


FIG. 1





**FIG. 4**



**FIG. 5**

FIG. 6

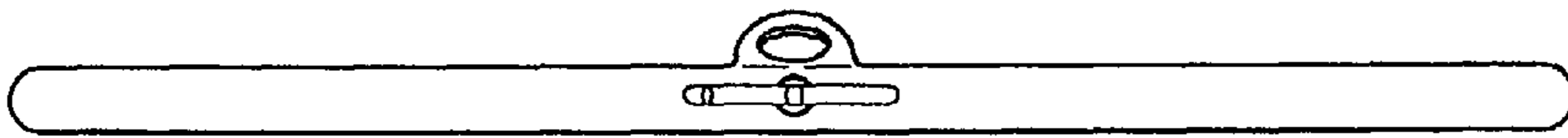


FIG. 7

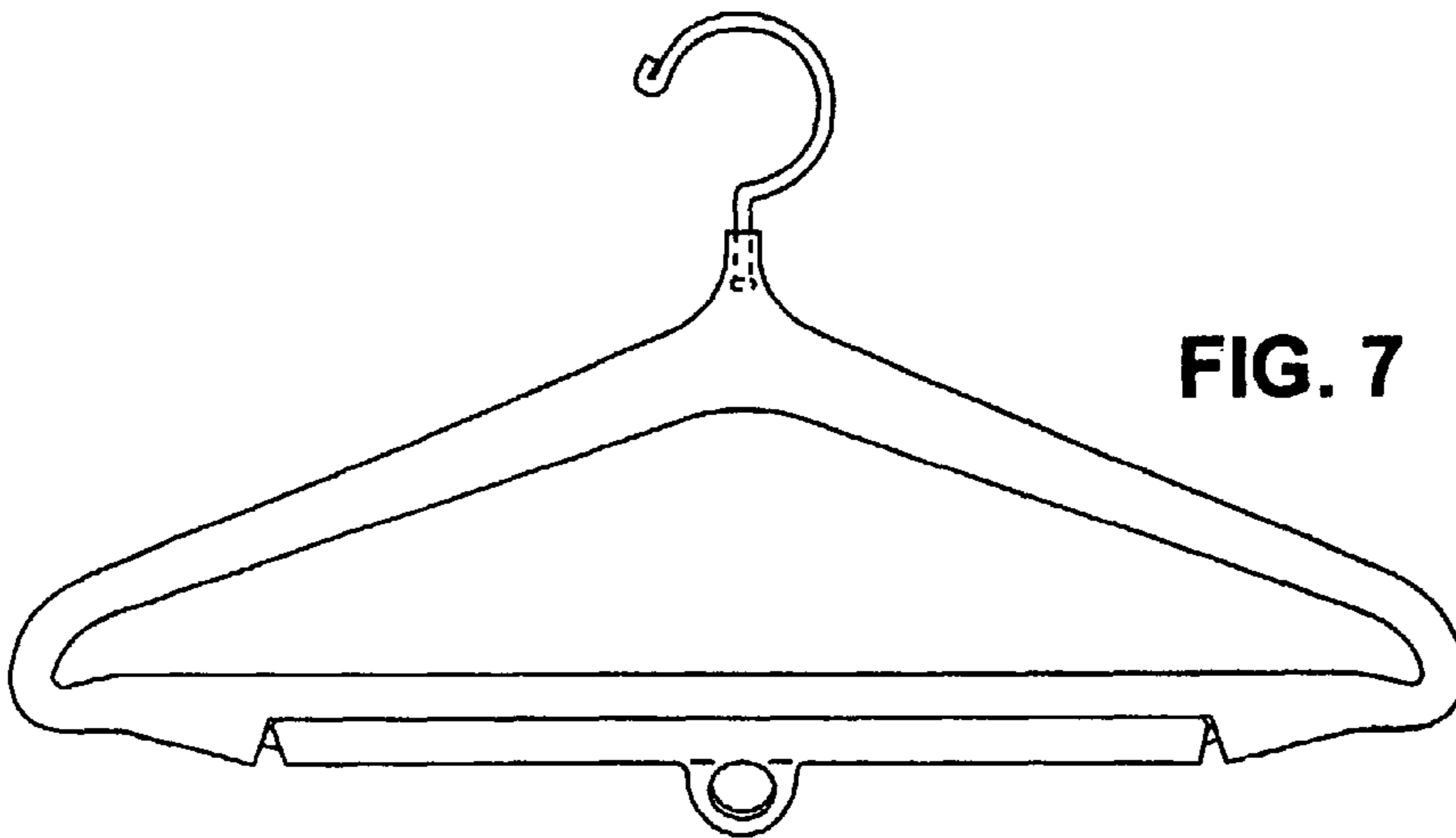


FIG. 8

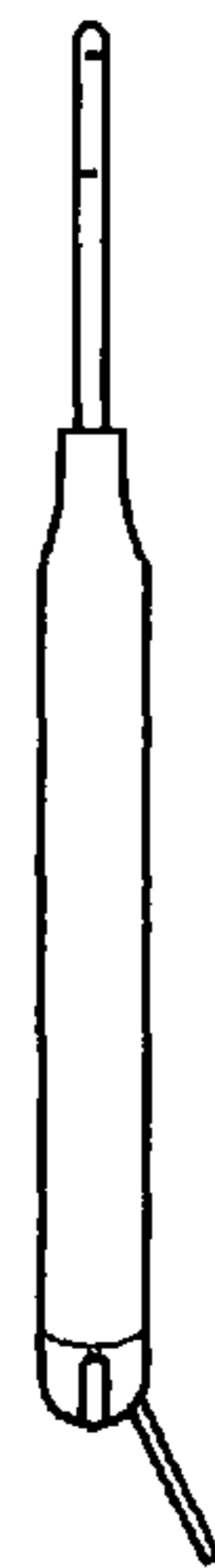


FIG. 9

