



US00D661101S

(12) **United States Design Patent**
Du

(10) **Patent No.:** **US D661,101 S**
(45) **Date of Patent:** **** Jun. 5, 2012**

(54) **COMBINED TOILET CLEANING BRUSH WITH T-SHAPED HANDLE AND HOLDER THEREFOR**

Primary Examiner — Cathron Brooks
Assistant Examiner — Lavone D Tabor
(74) *Attorney, Agent, or Firm* — Richard D. Clarke

(76) Inventor: **Tiffany Du**, Garden Grove, CA (US)

(57) **CLAIM**

(**) Term: **14 Years**

The ornamental design for a combined toilet cleaning brush with T-shaped handle and holder therefor, as shown and described.

(21) Appl. No.: **29/398,872**

DESCRIPTION

(22) Filed: **Aug. 5, 2011**

(51) **LOC (9) Cl.** **04-01**

FIG. 1 is a front, side, and top perspective view of a combined toilet cleaning brush with T-shaped handle and holder therefor showing my new design;

(52) **U.S. Cl.** **D4/116; D4/132**

FIG. 2 is a front, side, and top perspective view of the toilet cleaning brush of FIG. 1, shown separately for clarity of illustration only;

(58) **Field of Classification Search** D4/116, D4/119, 121, 132, 133, 135, 138; D6/551; D32/50-52; 15/105, 143.1, 146, 159.1, 160, 15/164, 186, 187, 191.1-193, 246; 206/361, 206/362.2, 362.3; 211/65; 248/110, 111
See application file for complete search history.

FIG. 3 is an enlarged side elevation view of the design as shown in FIG. 2;

(56) **References Cited**

U.S. PATENT DOCUMENTS

275,827	A *	4/1883	Illingworth	15/160
3,361,507	A *	1/1968	O'Neil	312/206
D272,874	S *	3/1984	Cohen	D6/551
D357,586	S *	4/1995	Tubman	D4/133
D414,342	S *	9/1999	Ancona et al.	D4/119
D439,054	S *	3/2001	Schloesser	D4/130
D482,920	S *	12/2003	Libman et al.	D6/551
7,841,038	B2 *	11/2010	Vosbikian	15/106
D650,590	S *	12/2011	Carlson et al.	D4/120

FIG. 4 is an elevation view of the opposite side of the design as shown in FIG. 3;

FOREIGN PATENT DOCUMENTS

EP	439690	A1 *	8/1991
ES	2065860	A1 *	2/1995
FR	467471	A *	6/1914

FIG. 5 is a front elevation view of the design as shown in FIG. 3;

OTHER PUBLICATIONS

Sparta Brushes for Food Service, Catalog No. 300, Feb. 1978, Hi-Lo Floor Scrub—Item No. 38X, p. 10.*

FIG. 6 is a rear elevation view of the design as shown in FIG. 3;

FIG. 7 is a top plan view of the design as shown in FIG. 3;

FIG. 8 is a bottom plan view of the design as shown in FIG. 3;

FIG. 9 is an enlarged side elevation view of the design as shown in FIG. 1;

FIG. 10 is an elevation view of the opposite side of the design as shown in FIG. 9;

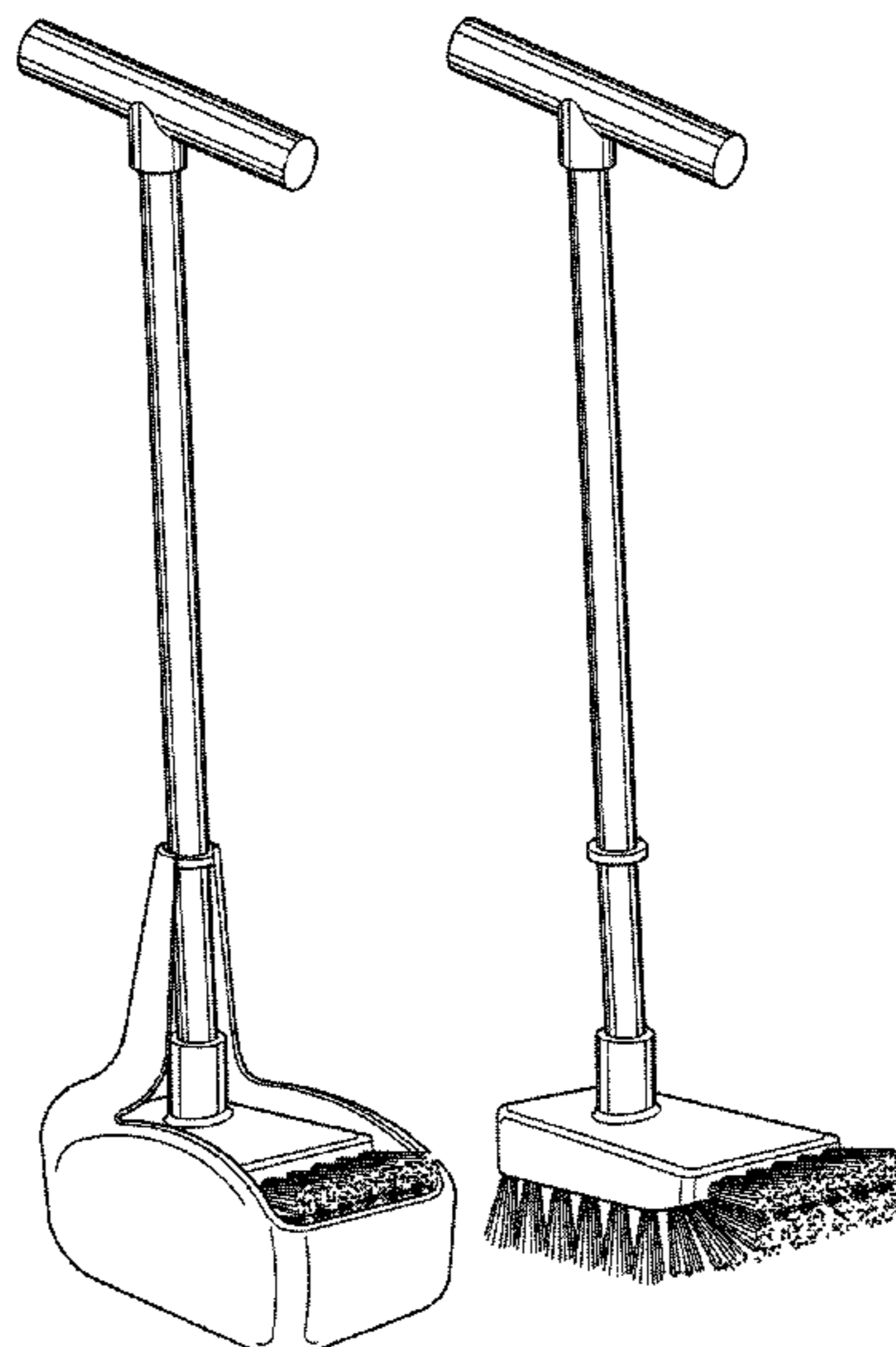
FIG. 11 is a front elevation view of the design as shown in FIG. 9;

FIG. 12 is a rear elevation view of the design as shown in FIG. 9;

FIG. 13 is a top plan view of the design as shown in FIG. 9; and,
FIG. 14 is a bottom plan view of the design as shown in FIG. 9.

* cited by examiner

1 Claim, 5 Drawing Sheets



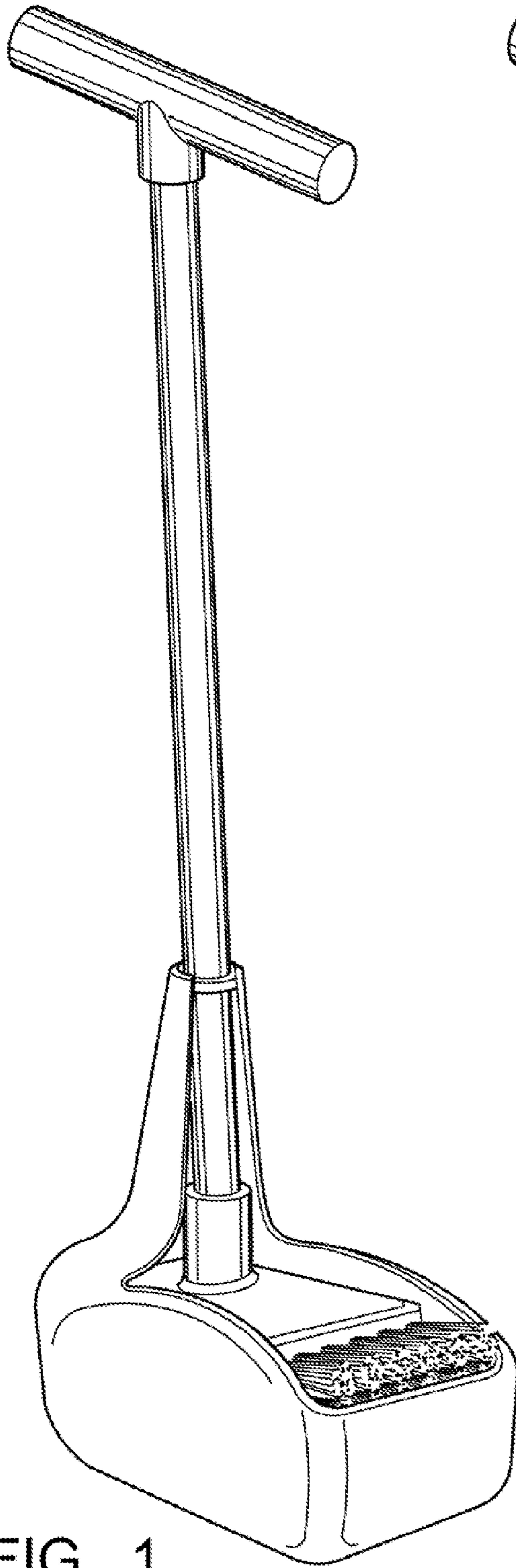


FIG. 1

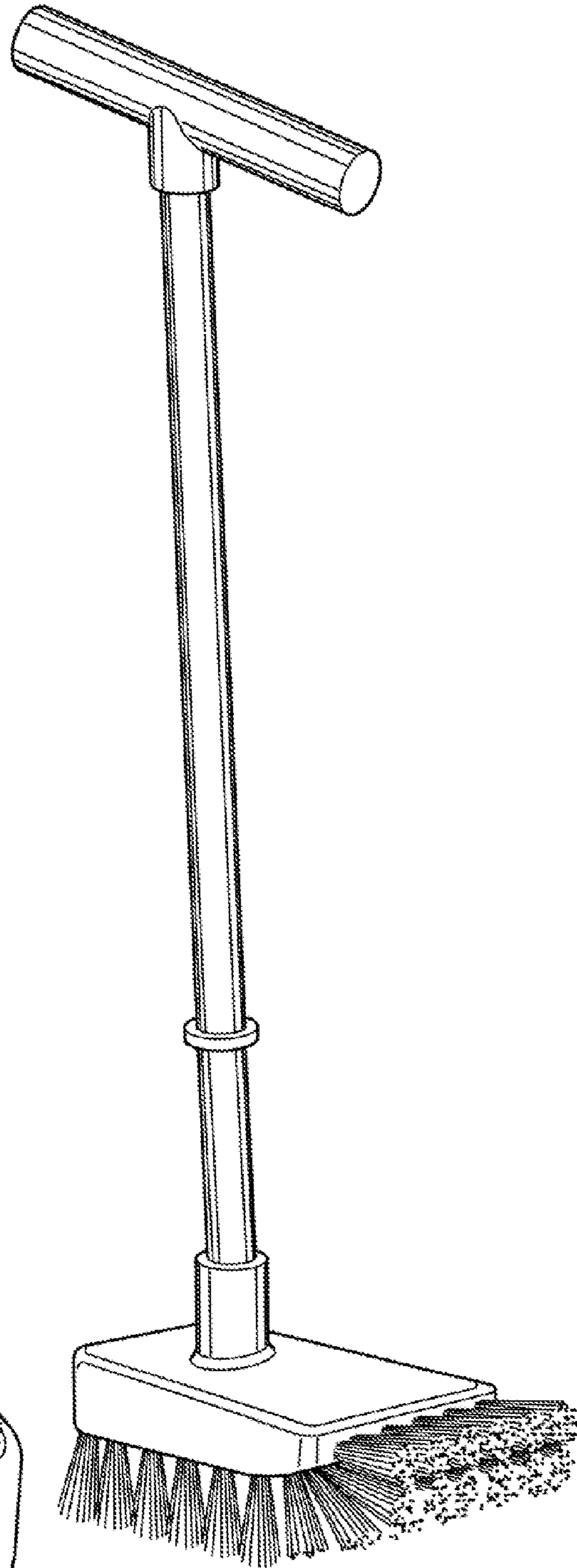


FIG. 2

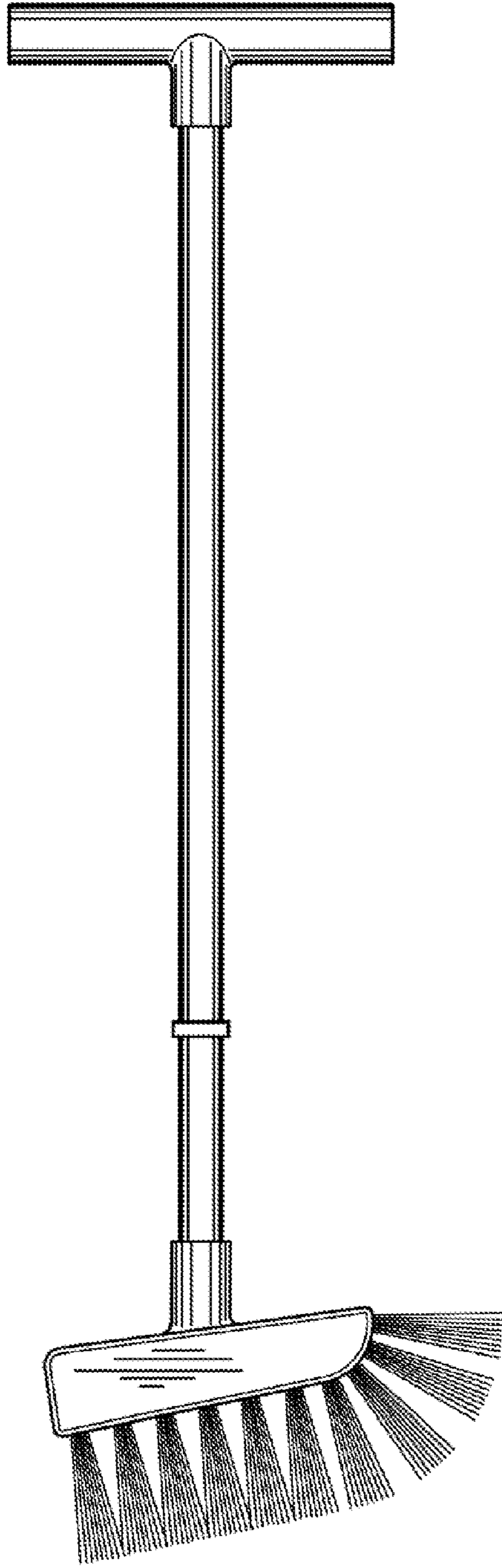


FIG. 3

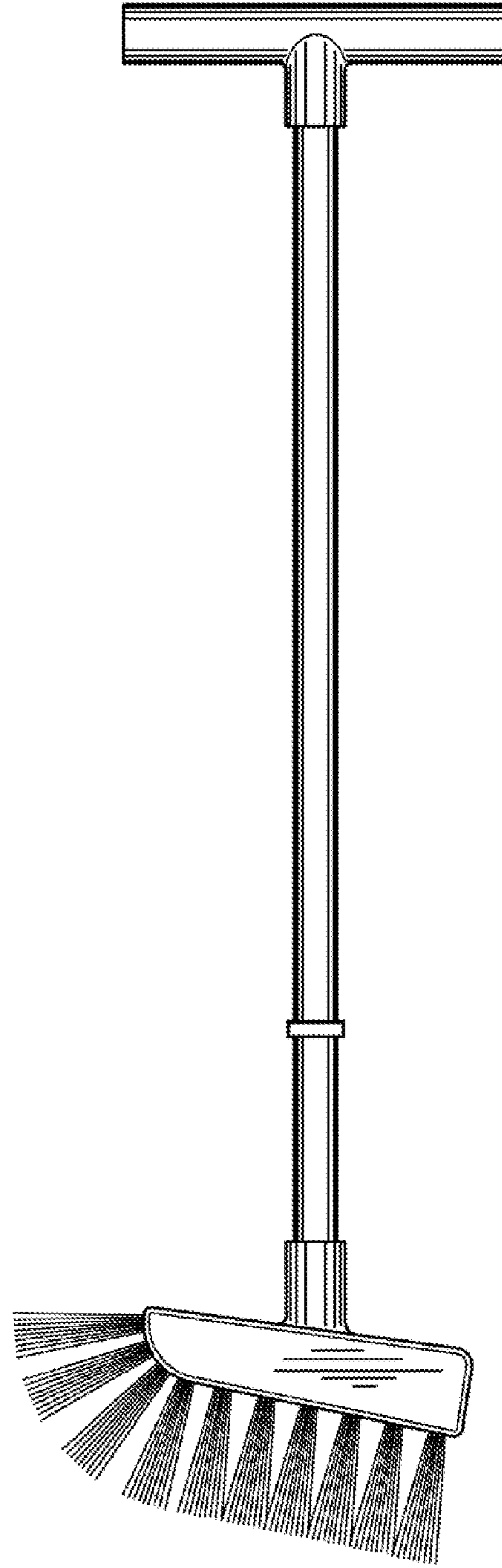


FIG. 4

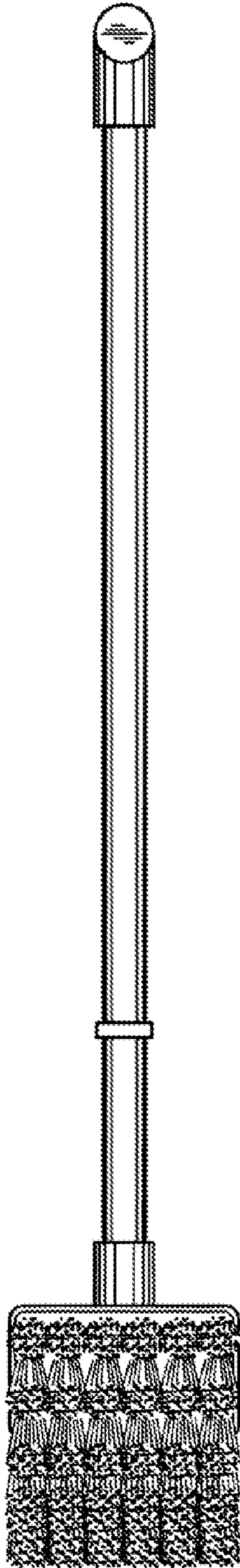


FIG. 5

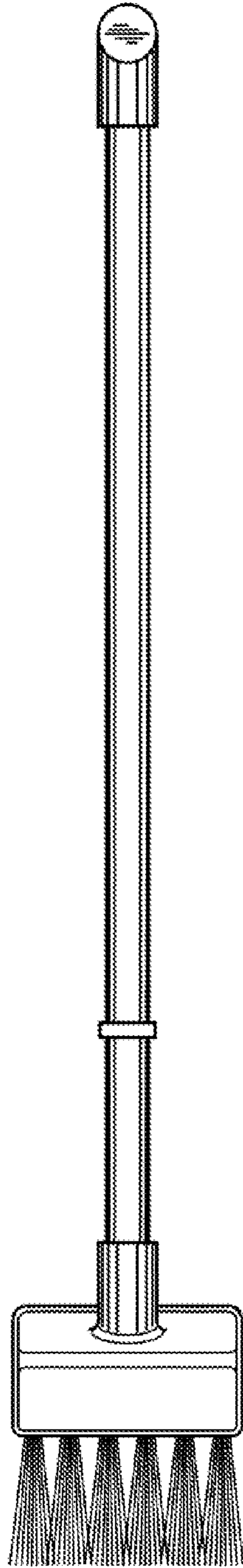


FIG. 6

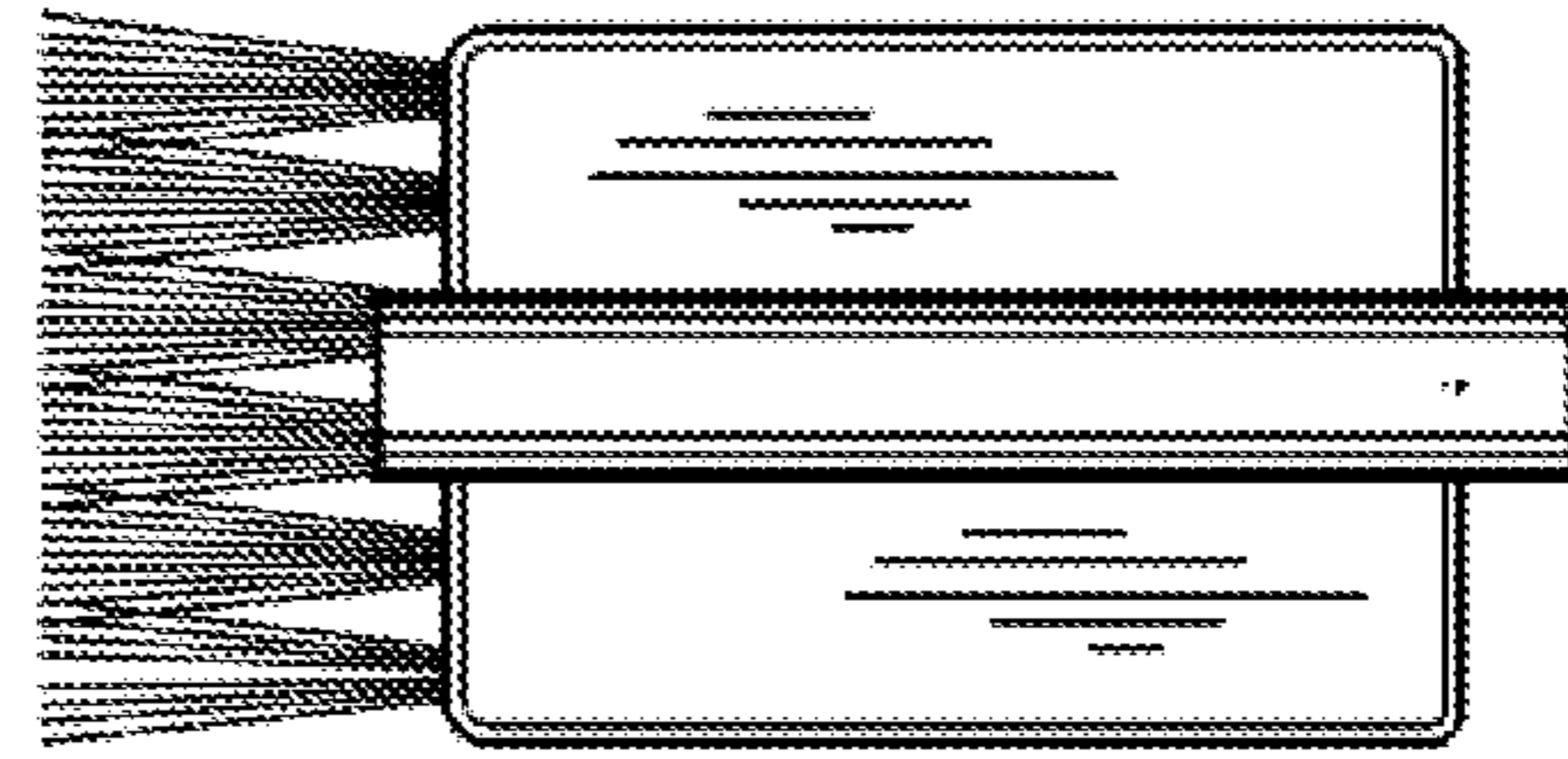


FIG. 7

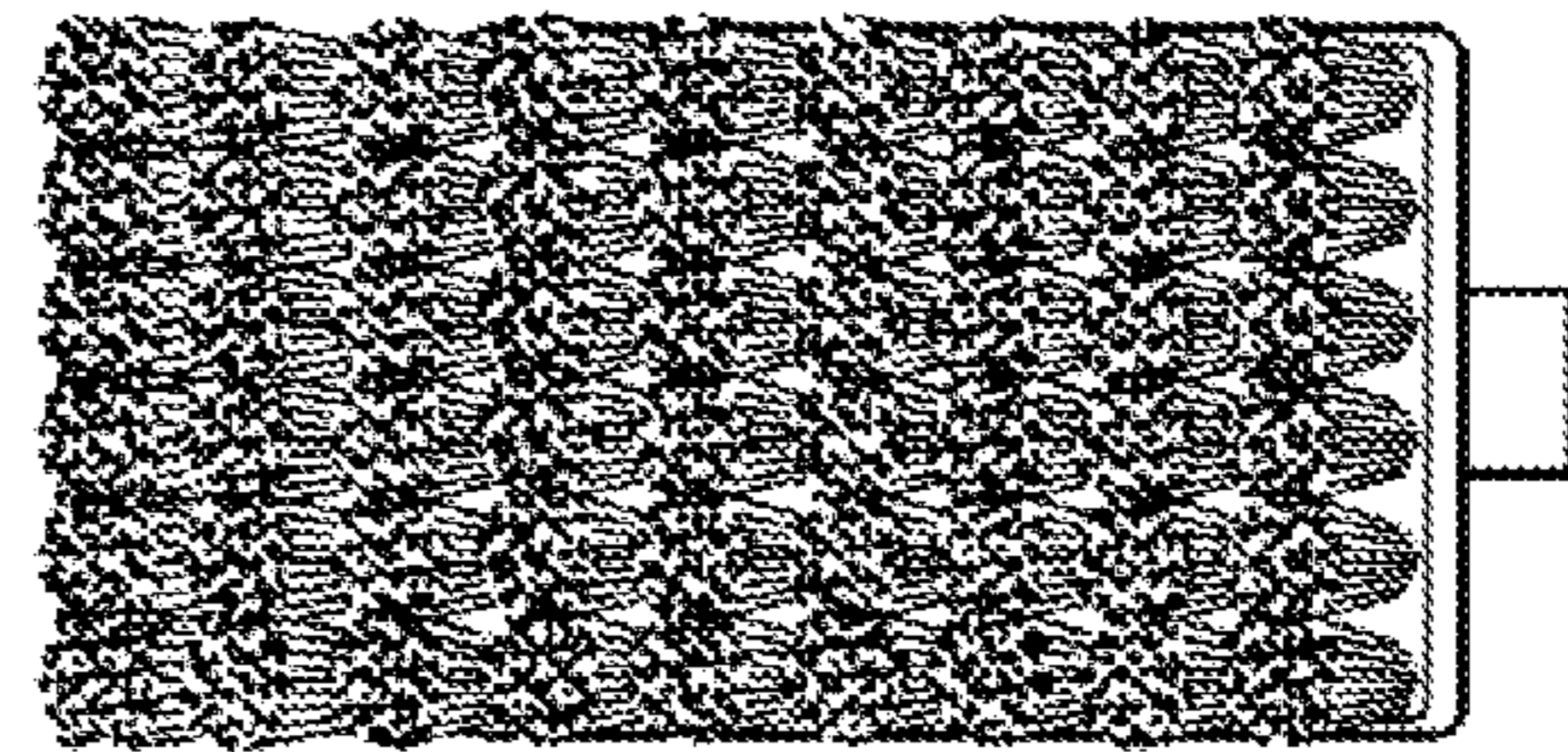


FIG. 8

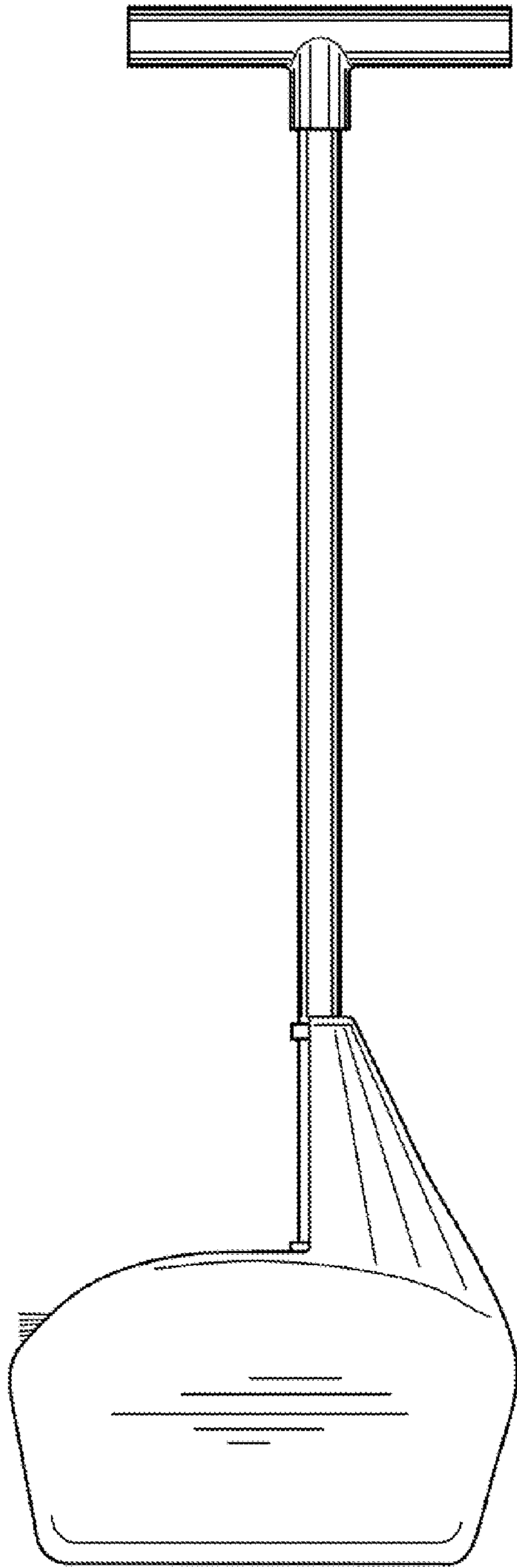


FIG. 9

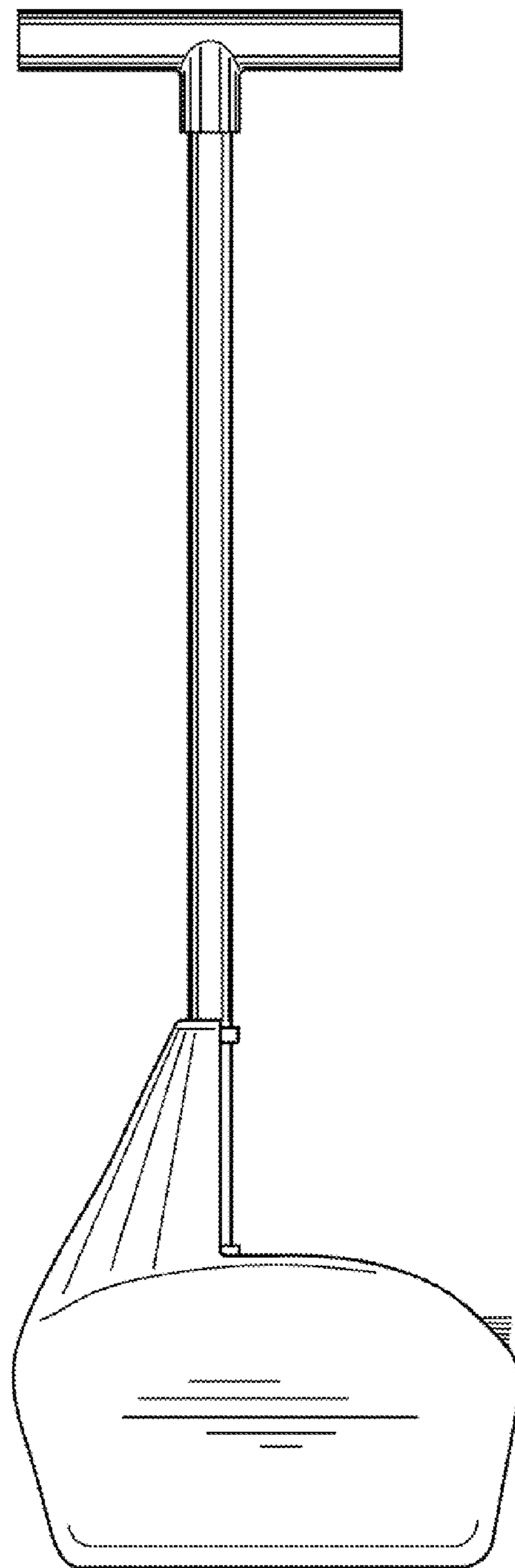


FIG. 10

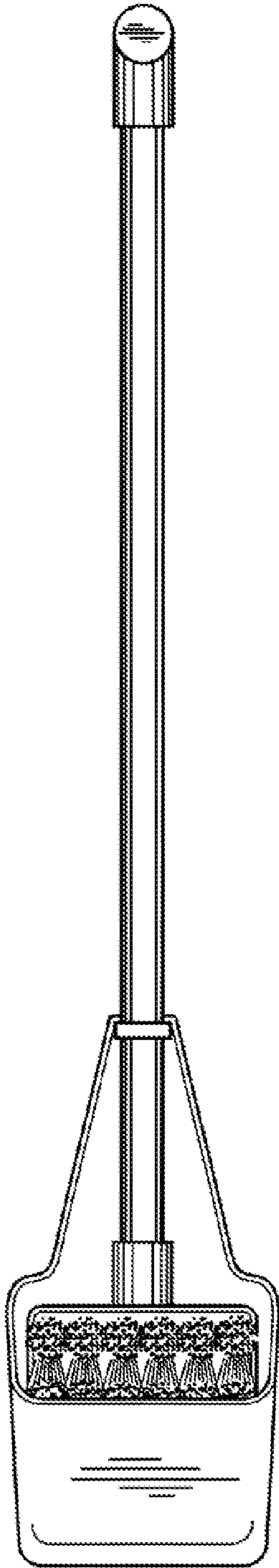


FIG. 11

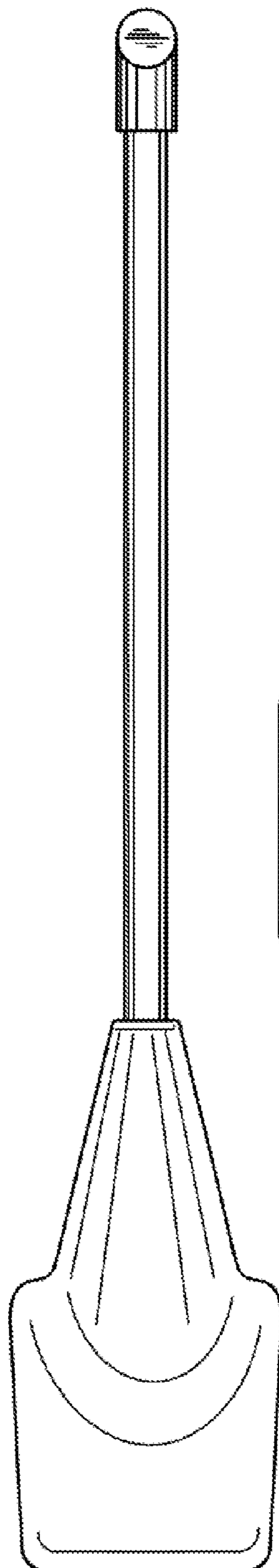


FIG. 12

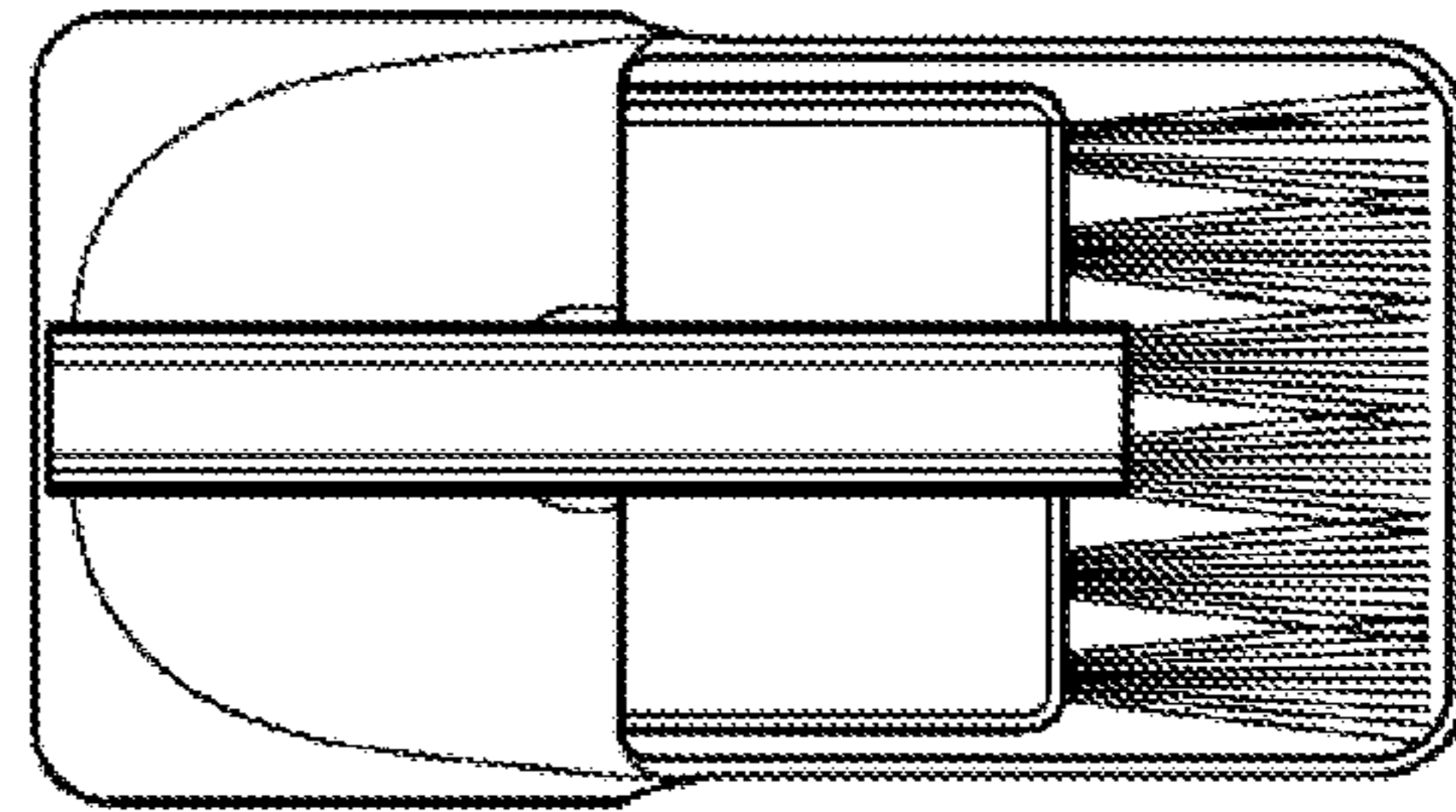


FIG. 13

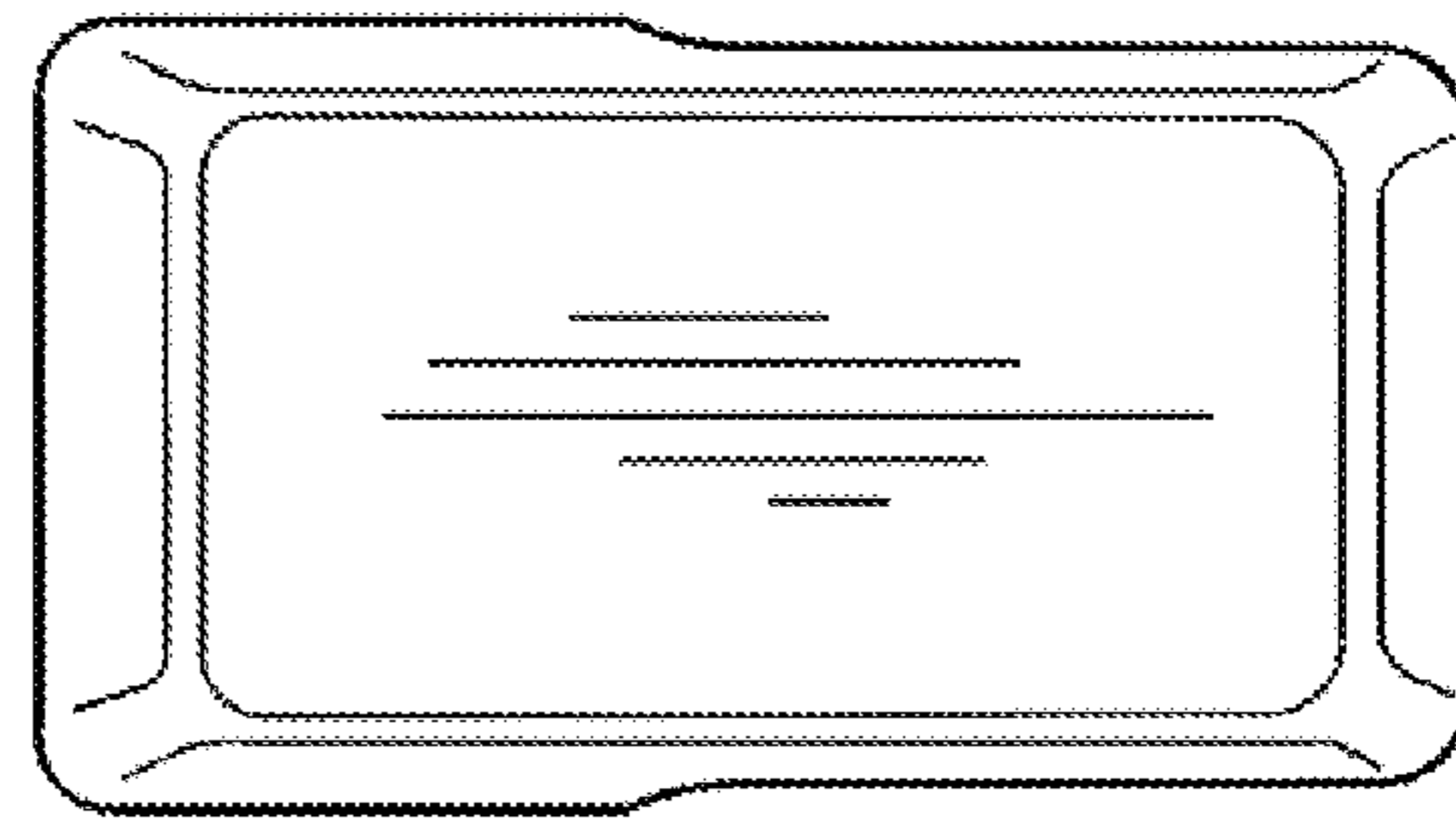


FIG. 14