

US00D661095S

(12) **United States Design Patent**
Hoppus et al.

(10) **Patent No.:** **US D661,095 S**
(45) **Date of Patent:** **** Jun. 5, 2012**

- (54) **BIN**
- (75) Inventors: **Adam D. Hoppus**, Richfield, MN (US);
Jeffrey C. Carter, Minneapolis, MN (US)
- (73) Assignee: **Target Brands, Inc.**, Minneapolis, MN (US)

- 3,254,786 A 6/1966 Melville
- 3,279,873 A 10/1966 Gronquist
- 3,468,591 A 9/1969 Woldi
- 3,506,321 A 4/1970 Hampel
- 3,552,579 A 1/1971 Simon et al.
- 3,563,624 A 2/1971 Stice
- 3,583,780 A 6/1971 Berkowitz
- 3,655,065 A 4/1972 Yellin
- 3,661,434 A 5/1972 Alster

(Continued)

(**) Term: **14 Years**

FOREIGN PATENT DOCUMENTS

(21) Appl. No.: **29/411,633**

AU B69962/91 10/1991

(22) Filed: **Jan. 24, 2012**

(Continued)

Related U.S. Application Data

OTHER PUBLICATIONS

(62) Division of application No. 29/403,532, filed on Oct. 7, 2011, now Pat. No. Des. 655,087, which is a division of application No. 29/356,374, filed on Feb. 24, 2010, now Pat. No. Des. 648,939.

Bin Publicly Offered For Sale in Target Stores, Jul. 2007, 2 pages.

(Continued)

(51) **LOC (9) Cl.** **03-01**

Primary Examiner — Kelley Donnelly

(52) **U.S. Cl.** **D3/304**

(74) *Attorney, Agent, or Firm* — Griffiths & Seaton PLLC

(58) **Field of Classification Search** D3/200–201,
D3/203.1, 203.3, 205–206, 273, 276, 304–315;
D6/525, 475–476; D19/75–77, 86, 90, 92.1,
D19/100; 206/203, 214–215, 822, 307.1;
229/100, 913–914, 406

(57) **CLAIM**

The ornamental design for a bin, as shown and described.

See application file for complete search history.

DESCRIPTION

(56) **References Cited**

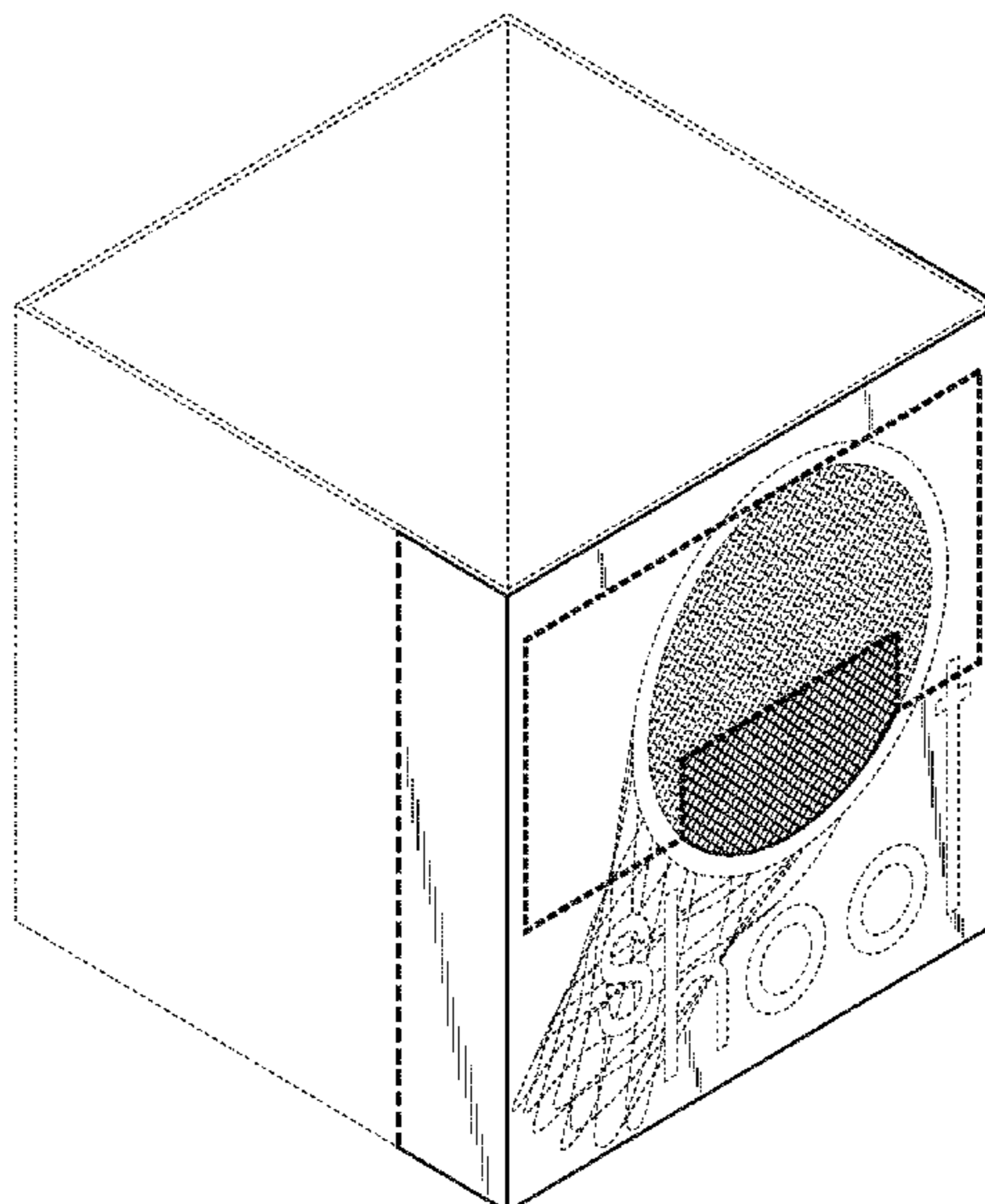
U.S. PATENT DOCUMENTS

- D79,888 S * 11/1929 MacMillan D9/432
- 2,121,190 A 6/1938 Fellowes
- 2,299,766 A 10/1942 Rosenthal
- D158,479 S 5/1950 Long
- 3,027,045 A 3/1962 Wilson
- D197,311 S 1/1964 Spaak
- 3,170,594 A 2/1965 Nascher
- 3,175,748 A * 3/1965 Flamm et al. 229/120
- 3,254,440 A 6/1966 Duggar

FIG. 1 is a front, perspective view of a bin showing our new design;
FIG. 2 is a front view thereof;
FIG. 3 is a rear view thereof;
FIG. 4 is a top view thereof;
FIG. 5 is a bottom view thereof; and,
FIG. 6 is a left side view thereof, the right side view being a mirror image of the left side view.

The features shown in broken lines depict environmental subject matter and form no part of the claimed design. The heavy dashed broken lines, which indicate the boundaries of the claimed design, also form no part of the claimed design.

1 Claim, 4 Drawing Sheets



US D661,095 S

U.S. PATENT DOCUMENTS

| | | | | |
|-----------|-----|---------|-------------------|----------|
| D225,815 | S | 1/1973 | Torrey | |
| 3,722,704 | A | 3/1973 | Piretti | |
| 3,722,971 | A | 3/1973 | Zeischegg | |
| 3,743,372 | A | 7/1973 | Ruggerone | |
| 3,822,924 | A | 7/1974 | Lust | |
| D232,812 | S | 9/1974 | Ogle | |
| 3,836,217 | A | 9/1974 | Shiina | |
| 3,836,218 | A | 9/1974 | Hallal | |
| 3,853,367 | A | 12/1974 | Jamison et al. | |
| 3,856,147 | A | 12/1974 | Piretti | |
| 3,874,753 | A | 4/1975 | Naito et al. | |
| 3,885,845 | A | 5/1975 | Krieks | |
| D238,051 | S | 12/1975 | Fier, Jr. | |
| 3,975,877 | A | 8/1976 | Walton | |
| 4,047,773 | A | 9/1977 | Semany | |
| 4,050,604 | A | 9/1977 | Flanders | |
| D246,872 | S | 1/1978 | White | |
| D251,480 | S | 4/1979 | Cherry | |
| 4,192,562 | A | 3/1980 | Bishoff et al. | |
| 4,196,948 | A | 4/1980 | Gavel et al. | |
| D256,196 | S | 8/1980 | Kates | |
| 4,261,627 | A | 4/1981 | Felsenthal | |
| D268,622 | S | 4/1983 | Wolters et al. | |
| 4,403,554 | A | 9/1983 | Valentine et al. | |
| 4,448,463 | A | 5/1984 | Amos | |
| 4,470,647 | A | 9/1984 | Bishoff et al. | |
| 4,704,313 | A | 11/1987 | Maier | |
| 4,717,214 | A | 1/1988 | Moore et al. | |
| D295,012 | S * | 4/1988 | Gelber | D7/412 |
| 4,863,222 | A | 9/1989 | Posso | |
| D323,296 | S | 1/1992 | Schoenthaler | |
| D326,345 | S | 5/1992 | Mandell et al. | |
| 5,119,610 | A | 6/1992 | Birkeland et al. | |
| 5,147,120 | A | 9/1992 | Ray | |
| D330,161 | S | 10/1992 | Schuh | |
| 5,176,435 | A | 1/1993 | Pipkens | |
| D334,815 | S | 4/1993 | Bunger | |
| D349,646 | S | 8/1994 | Dickinson | |
| 5,357,728 | A | 10/1994 | Duncanson | |
| D357,861 | S * | 5/1995 | Sawa et al. | D9/432 |
| D360,898 | S | 8/1995 | Hureto et al. | |
| 5,464,295 | A | 11/1995 | Dailot | |
| 5,466,058 | A | 11/1995 | Chan | |
| 5,477,594 | A | 12/1995 | LePage | |
| 5,486,041 | A | 1/1996 | Sykes | |
| 5,492,399 | A | 2/1996 | Tillack | |
| 5,497,888 | A | 3/1996 | Michaels et al. | |
| D376,259 | S | 12/1996 | Dickinson et al. | |
| 5,588,726 | A | 12/1996 | Lee | |
| 5,647,649 | A | 7/1997 | Kao | |
| 5,680,744 | A | 10/1997 | Kramedjian et al. | |
| D387,559 | S | 12/1997 | Williamson | |
| 5,716,116 | A | 2/1998 | Carlson et al. | |
| 5,720,547 | A | 2/1998 | Baird | |
| 5,775,046 | A | 7/1998 | Fanger et al. | |
| D399,648 | S | 10/1998 | Hilton | |
| D404,571 | S | 1/1999 | Evans | |
| 5,921,646 | A | 7/1999 | Hwang | |
| 5,941,616 | A | 8/1999 | Billingham | |
| 6,019,238 | A * | 2/2000 | Kindig et al. | 220/4.22 |
| 6,024,626 | A | 2/2000 | Mendelsohn | |
| D421,678 | S | 3/2000 | Levy | |
| D423,171 | S | 4/2000 | Alcala et al. | |
| D427,769 | S | 7/2000 | Zimmerman | |
| 6,113,203 | A | 9/2000 | Chen | |
| D431,907 | S | 10/2000 | Andujar et al. | |
| D437,706 | S | 2/2001 | Alcala et al. | |
| D461,120 | S * | 8/2002 | Ostro | D9/759 |
| 6,488,346 | B2 | 12/2002 | Chen | |
| 6,508,021 | B2 | 1/2003 | Ong | |
| D474,688 | S * | 5/2003 | Litts | D3/295 |
| 6,557,955 | B2 | 5/2003 | Saravis | |
| D495,248 | S | 8/2004 | Krebs et al. | |
| 6,820,950 | B1 | 11/2004 | Sun | |
| 6,848,758 | B1 | 2/2005 | Yeh et al. | |
| 6,938,966 | B1 | 9/2005 | Rouwhorst | |
| RE38,836 | E | 10/2005 | Krause et al. | |
| 6,962,262 | B2 | 11/2005 | Toma | |

| | | | | |
|--------------|------|---------|-------------------|-----------|
| 6,971,529 | B1 | 12/2005 | Shapiro | |
| 6,991,115 | B2 | 1/2006 | Chow et al. | |
| 7,048,346 | B2 | 5/2006 | Saravis | |
| D540,039 | S | 4/2007 | van Beuningen | |
| 7,231,740 | B2 | 6/2007 | Jirele | |
| D551,968 | S * | 10/2007 | Kleinsmith | D9/432 |
| D551,969 | S * | 10/2007 | Aurilio et al. | D9/432 |
| D565,664 | S | 4/2008 | Gusdorf | |
| D567,080 | S * | 4/2008 | Bone et al. | D9/432 |
| 7,507,136 | B2 | 3/2009 | Patton | |
| D590,250 | S * | 4/2009 | Seol | D9/432 |
| D590,252 | S * | 4/2009 | Seol et al. | D9/432 |
| D596,857 | S | 7/2009 | Ahlgrim et al. | |
| D600,017 | S * | 9/2009 | Christie | D3/304 |
| D601,201 | S | 9/2009 | Nelson | |
| D602,255 | S | 10/2009 | Ahlgrim et al. | |
| D608,636 | S * | 1/2010 | Seol | D9/432 |
| D611,270 | S | 3/2010 | Castillo Higareda | |
| D612,234 | S * | 3/2010 | Westemeyer | D9/434 |
| D622,959 | S | 9/2010 | Zalewski et al. | |
| D629,827 | S * | 12/2010 | Morenstein et al. | D16/221 |
| D632,172 | S * | 2/2011 | Harvey et al. | D9/432 |
| D632,892 | S | 2/2011 | Zalewski et al. | |
| D634,546 | S * | 3/2011 | Horwitz | D3/320 |
| D635,017 | S * | 3/2011 | Kerr et al. | D9/432 |
| D636,666 | S * | 4/2011 | Bone et al. | D9/432 |
| D637,486 | S * | 5/2011 | Andrew | D9/432 |
| D641,620 | S | 7/2011 | Hammond et al. | |
| D641,980 | S | 7/2011 | Macoretta | |
| D642,213 | S * | 7/2011 | Glass | D19/35 |
| 8,006,465 | B1 | 8/2011 | Albert, III | |
| D648,126 | S * | 11/2011 | Mohammad et al. | D3/270 |
| D648,939 | S | 11/2011 | Hoppus et al. | |
| D653,451 | S * | 2/2012 | Elvin-Jensen | D3/304 |
| D654,789 | S * | 2/2012 | DuVal | D9/432 |
| D655,087 | S * | 3/2012 | Hoppus et al. | D3/304 |
| D655,169 | S * | 3/2012 | Bohache et al. | D9/516 |
| D655,170 | S * | 3/2012 | Bohache et al. | D9/516 |
| D655,171 | S * | 3/2012 | Bohache et al. | D9/516 |
| 2002/0185941 | A1 | 12/2002 | Ferraro et al. | |
| 2003/0193274 | A1 | 10/2003 | Saravis | |
| 2003/0222545 | A1 | 12/2003 | Stravitz | |
| 2003/0234199 | A1 * | 12/2003 | Morita et al. | 206/459.5 |
| 2004/0164653 | A1 | 8/2004 | Winkless | |
| 2004/0217677 | A1 | 11/2004 | Durand et al. | |
| 2005/0006991 | A1 | 1/2005 | Saravis | |
| 2005/0077805 | A1 | 4/2005 | Dalebout et al. | |
| 2005/0104483 | A1 | 5/2005 | Saravis | |
| 2006/0060099 | A1 * | 3/2006 | Ohira | 101/483 |
| 2006/0080928 | A1 | 4/2006 | Kichijo et al. | |
| 2006/0244348 | A1 | 11/2006 | Richied et al. | |
| 2006/0250052 | A1 | 11/2006 | Davis et al. | |
| 2008/0011697 | A1 | 1/2008 | Berg | |
| 2008/0017596 | A1 | 1/2008 | Brock | |
| 2010/0087304 | A1 | 4/2010 | Little | |
| 2010/0237754 | A1 | 9/2010 | Zalewski et al. | |
| 2010/0237755 | A1 | 9/2010 | Zalewski | |

FOREIGN PATENT DOCUMENTS

| | | | |
|----|----------|---|---------|
| DE | 3020836 | A | 12/1981 |
| DE | 3302105 | | 7/1983 |
| DE | 3933611 | | 4/1991 |
| DE | 4313330 | | 9/1994 |
| DE | 19735185 | | 2/1999 |
| DE | 19949849 | | 2/2001 |
| DE | 20309712 | U | 8/2003 |
| EP | 0270495 | | 6/1988 |
| EP | 0614017 | | 9/1994 |
| EP | 0801912 | | 10/1997 |
| FR | 2316679 | | 1/1977 |
| FR | 2376677 | | 8/1978 |
| FR | 2862356 | | 5/2005 |
| GB | 2101202 | A | 1/1983 |
| GB | 2206280 | | 1/1989 |
| GB | 2231820 | A | 11/1990 |
| GB | 2355672 | | 5/2001 |
| GB | 2370239 | A | 6/2002 |

| | | |
|----|---------|--------|
| WO | 8700406 | 1/1987 |
| WO | 9920153 | 4/1999 |
| WO | 0127395 | 4/2001 |

OTHER PUBLICATIONS

Shopwiki, "Organizer Bins-Lockers-Locker Organizers-Magnetic Storage Bins," http://www.shopwiki.com/_Organizer+Bins+-+Lockers+-+Locker+Organizers+-+Magnetic+Storage+Bins, printed on Aug. 2, 2009, 2 pages.

"iCube, my cube, my space™", materials publicly provided in an offer to sell the associated product at least as early as Apr. 23, 2008, 22 pages.

Egan Visual, Inc., "Modular Storage . . . configured to your requirements," 2004, 2 pages.

Egan Visual, Inc., "Finish Schedule," Price and Specification Guide, Jul. 2002, 11 pages.

Egan Visual, Inc., "Finish Schedule," Price and Specification Guide, Jul. 2002, 3 pages.

Egan Visual, Inc., "Mobile Task Carts & Lockers—Product Design Rationale," 2004, 2 pages.

Moduline Modular Aluminum Cabinets, "Moduline Pro-Series Combinations—Trailer Cabinets Organize With Style!—Modular Aluminum Storage Cabinets," printed from www.modulinecabinets.com in May 2006, 3 pages.

"elfa® Platinum Garage System," printed from www.organize.com in May 2006, 2 pages.

"The Cube Storage System," printed from www.organize.com in May 2006, 2 pages.

"Storage Cubes: A Unique 5 Piece Modular Storage System—Cherry," printed from www.organize.com in May 2006, 2 pages.

"elfa® Basic 9' Double Hang Closet," printed from www.organize.com in May 2006, 2 pages.

"Closits Modular Furniture System—Maple," printed from www.target.com in May 2006, 3 pages.

"QBO Storage Solution," www.topdeq.com/topdeq/product.do@catid=us_75&prodid=pp_QBO, printed in May 2006, 2 pages.

"Cubo Modular Storage," www.topdeq.com/topdeq/product.do@catid=us_75&prodid=pp_CUBIC, printed in May 2006, 3 pages.

Storage Member publicly available in IKEA stores at least as early as Jan. 2000.

* cited by examiner

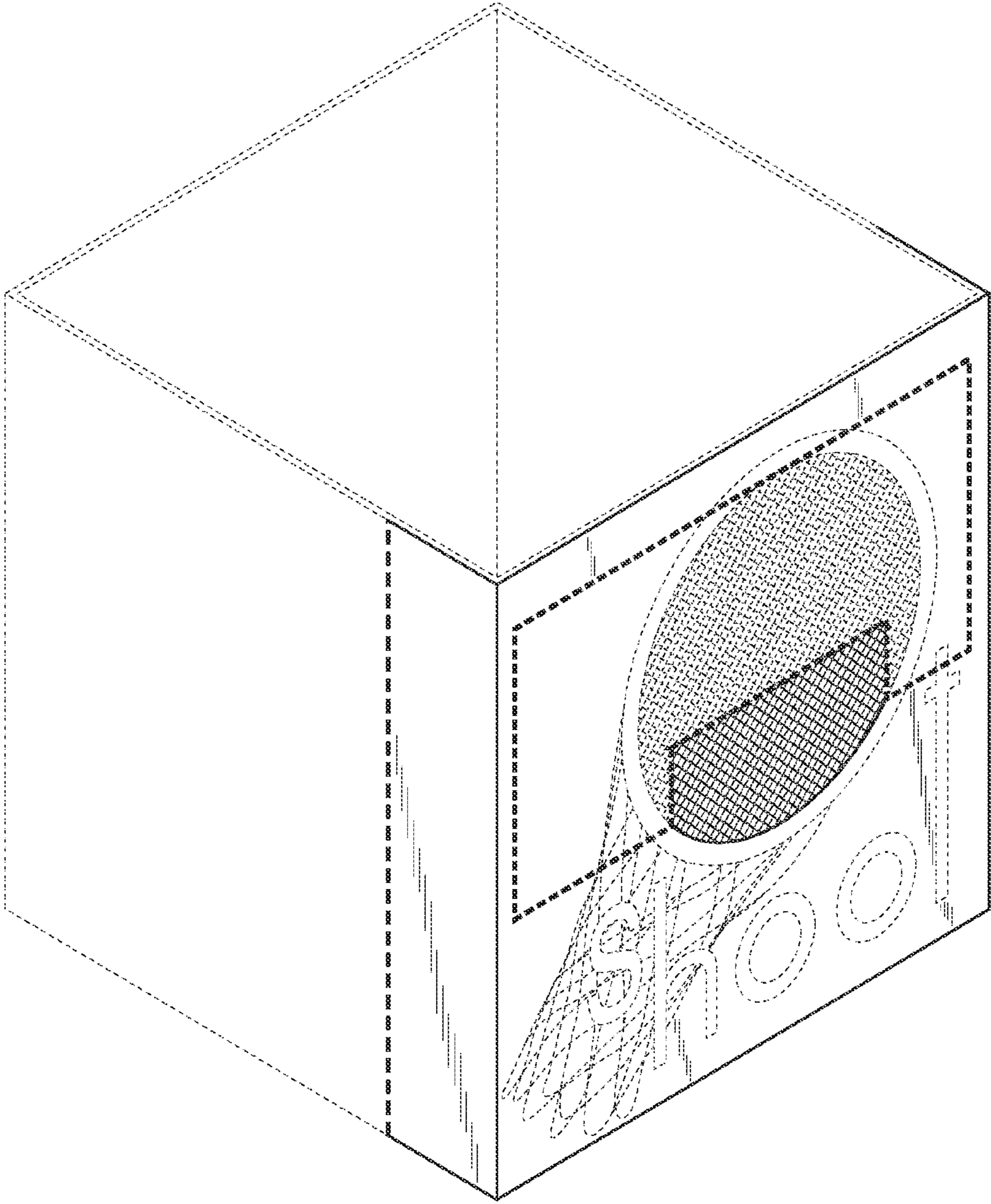


Fig. 1

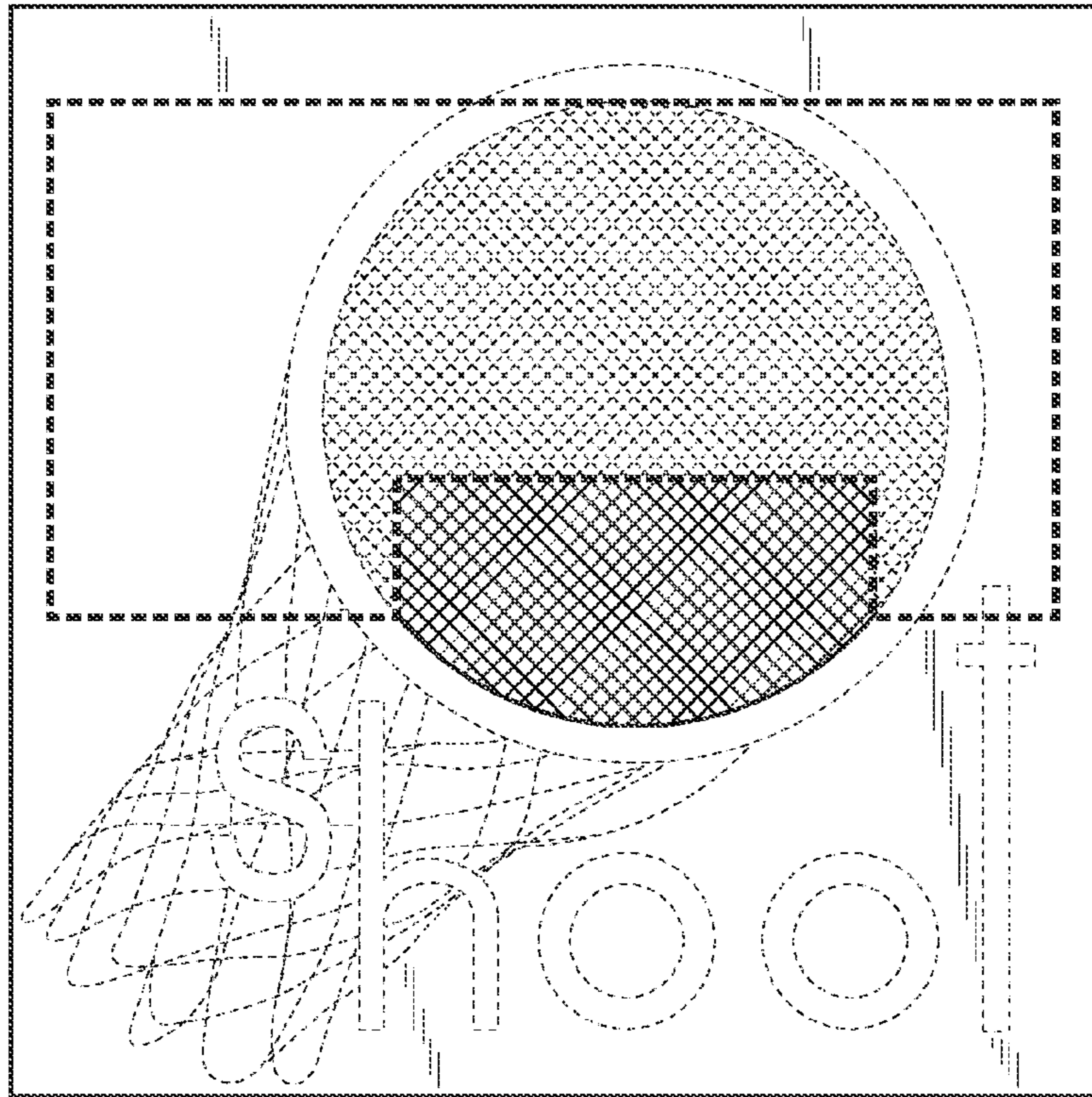


Fig. 2

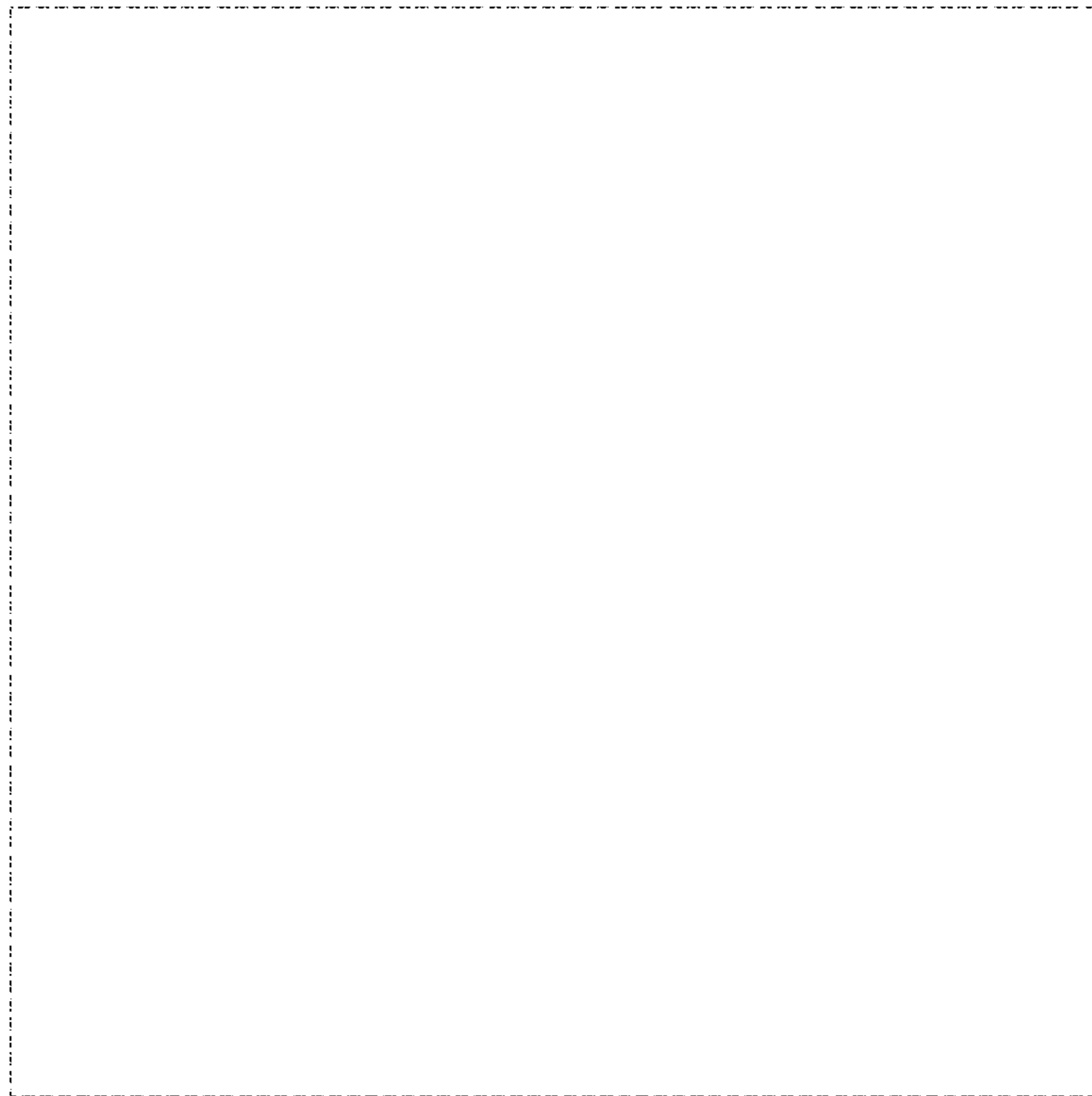


Fig. 3

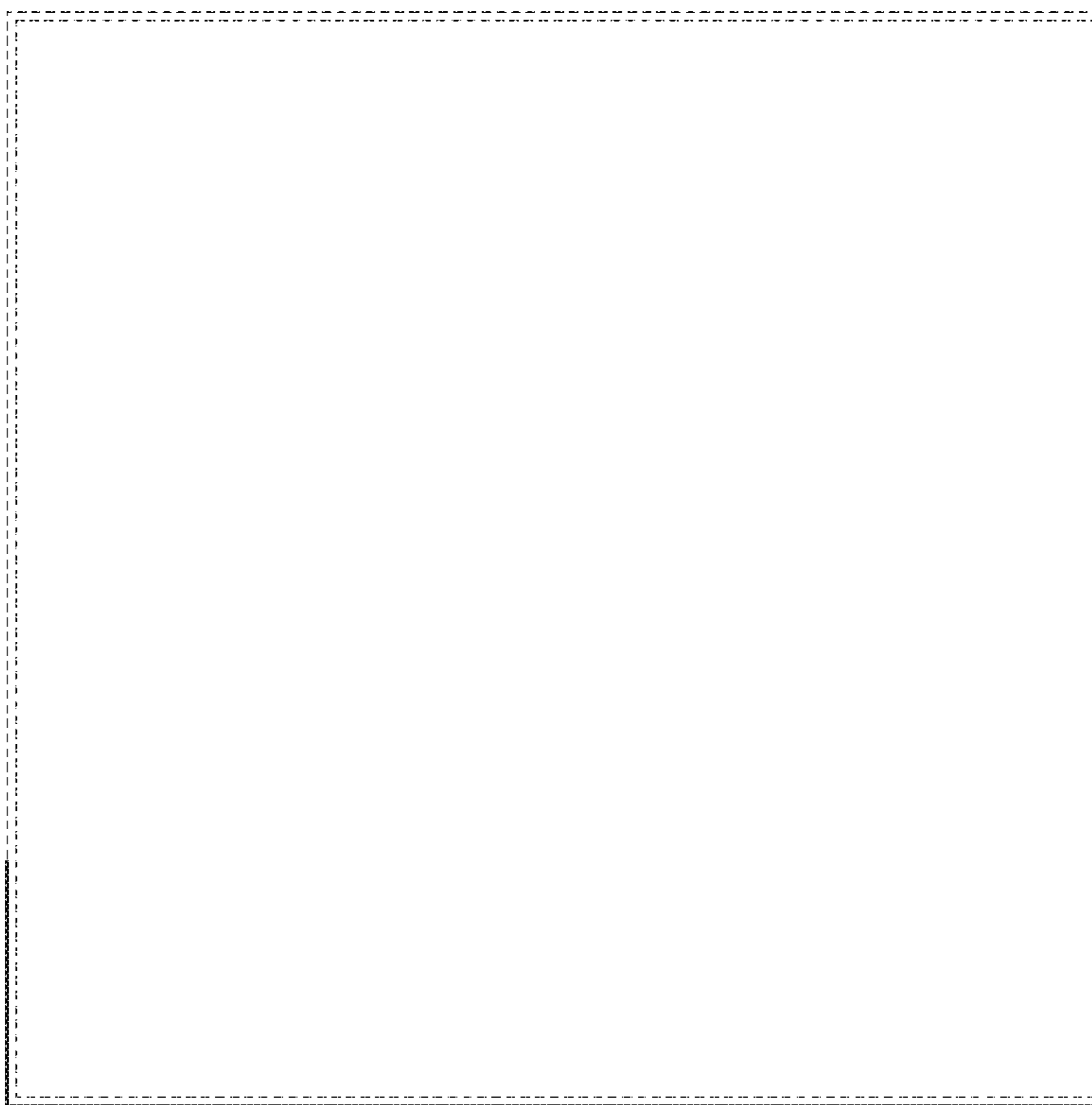


Fig. 4

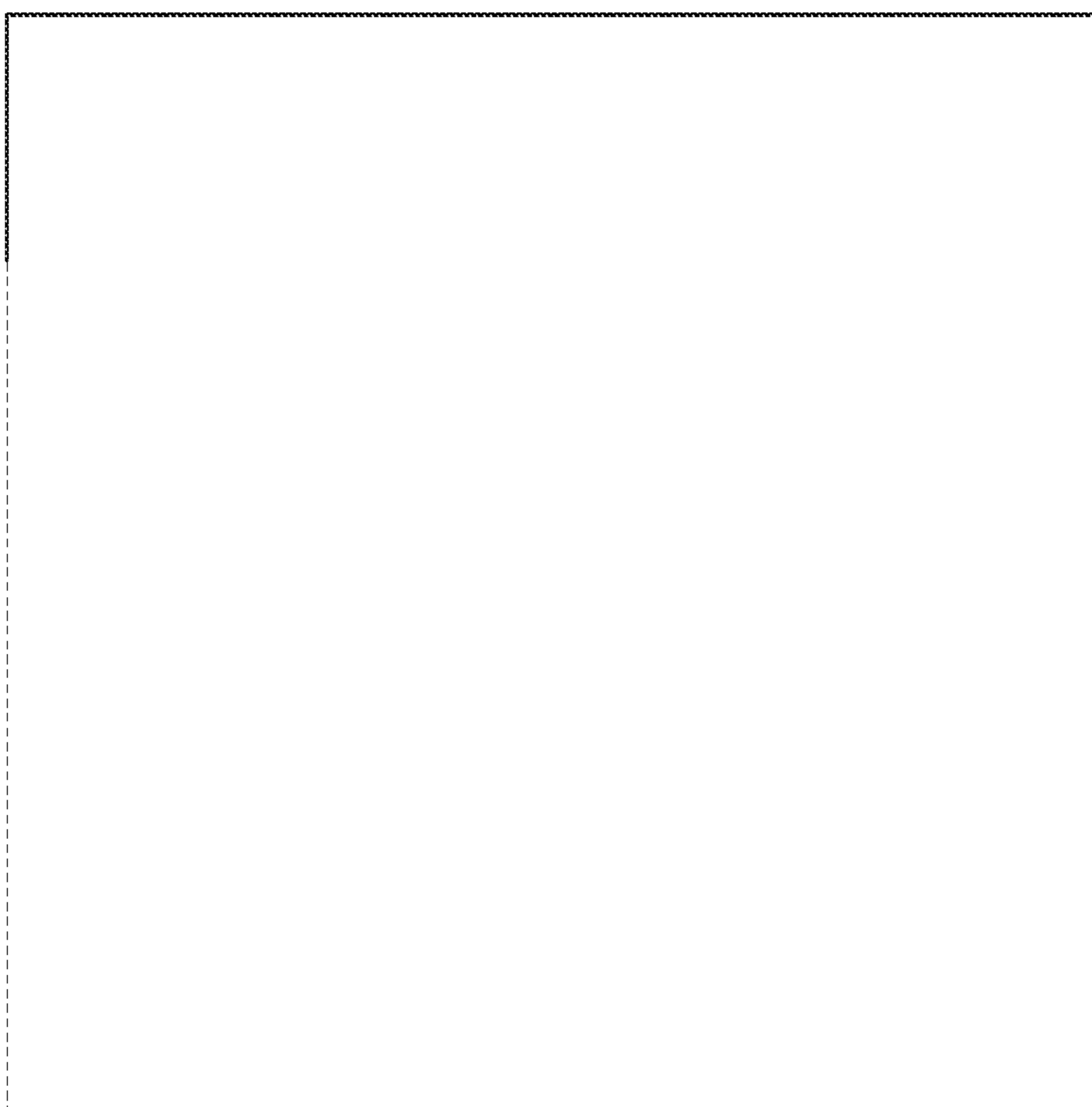


Fig. 5

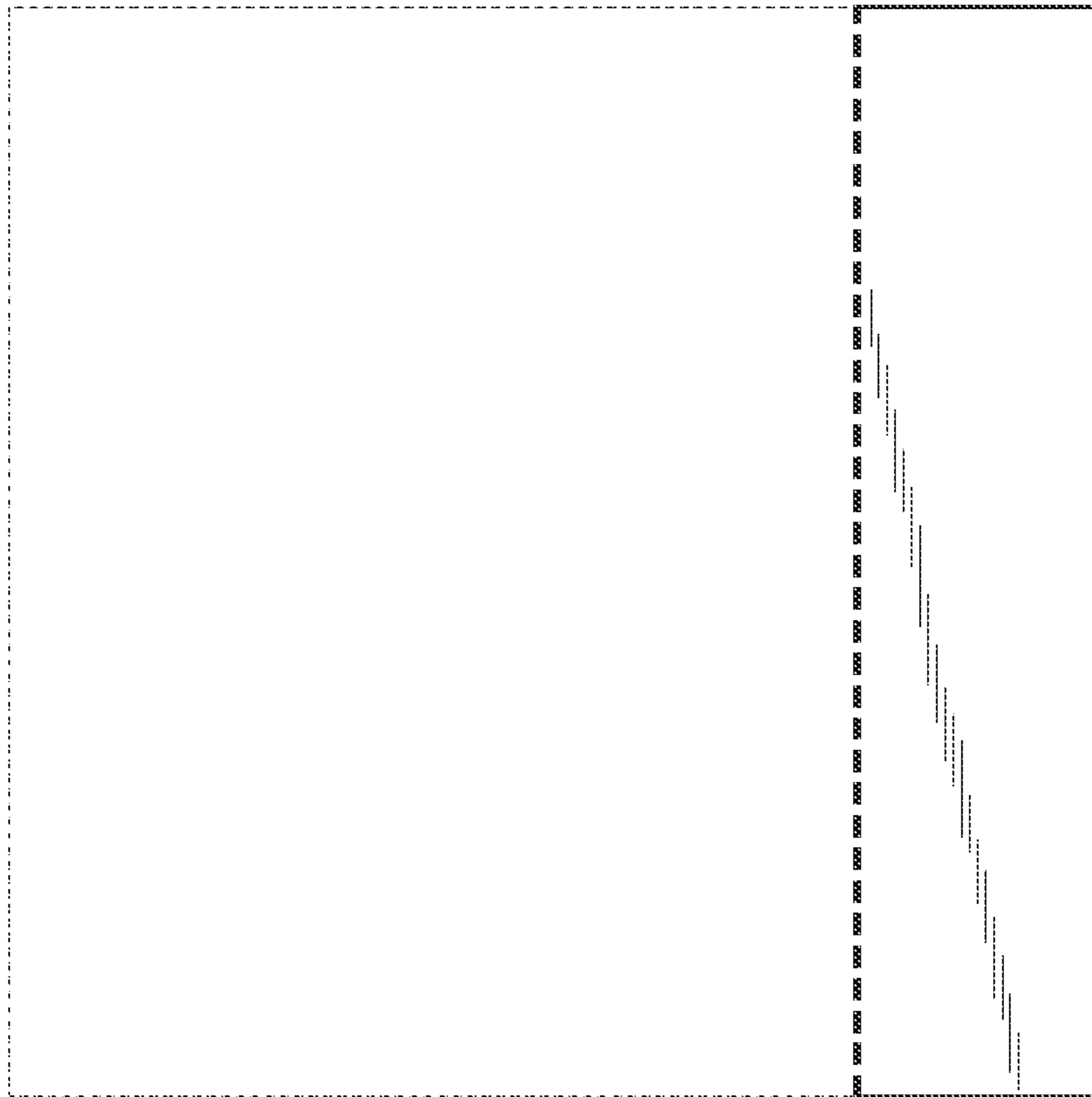


Fig. 6