



US00D661089S

(12) **United States Design Patent**  
**Seegmiller et al.**

(10) **Patent No.:** **US D661,089 S**  
(45) **Date of Patent:** **\*\* Jun. 5, 2012**

- (54) **BASE HANDBAG FOR USE WITH INTERCHANGEABLE COVER**
- (75) Inventors: **Christian J. Seegmiller**, Riverton, UT (US); **Corbin B. Church**, Salt Lake City, UT (US); **Jennie Platt**, Sandy, UT (US)
- (73) Assignee: **Miche Bag, LLC**, South Jordan, UT (US)

- D155,608 S 10/1949 Hilf
- 2,622,647 A 12/1952 Arnthal
- 2,627,885 A 2/1953 Cassell
- 2,656,870 A 10/1953 Wishnia
- 2,779,373 A 1/1957 Koepke
- 2,809,685 A 10/1957 Lowy
- 2,893,457 A 7/1959 Wilson
- 3,182,701 A 5/1965 Ginsburg

(Continued)

- (\*\*) Term: **14 Years**
- (21) Appl. No.: **29/405,844**
- (22) Filed: **Nov. 7, 2011**

**FOREIGN PATENT DOCUMENTS**

- CA 2570857 1/2006
- (Continued)

**OTHER PUBLICATIONS**

International Search Report and Opinion for PCT/US2007/085339, Mailed Mar. 14, 2008.

(Continued)

*Primary Examiner* — Holly Baynham

(74) *Attorney, Agent, or Firm* — Workman Nydegger

- Related U.S. Application Data**
- (63) Continuation of application No. 29/355,821, filed on Feb. 15, 2010, and a continuation of application No. 12/529,012, filed on Aug. 27, 2009.
  - (51) **LOC (9) Cl.** ..... **03-01**
  - (52) **U.S. Cl.** ..... **D3/233**
  - (58) **Field of Classification Search** ..... D3/232–233, D3/240–245; 150/100, 103–110, 113–114, 150/118–119
- See application file for complete search history.

(57) **CLAIM**

The ornamental design for a base handbag for use with an interchangeable cover, as shown and described.

**DESCRIPTION**

FIG. 1 is an exploded top, left perspective view of a base handbag and interchangeable cover when the base handbag is withdrawn from the handbag cover, with the interchangeable cover shown in dotted lines;

FIG. 2 is a front elevational view thereof;

FIG. 3 is a rear elevational view thereof;

FIG. 4 is a left elevational view thereof;

FIG. 5 is a right elevational view thereof;

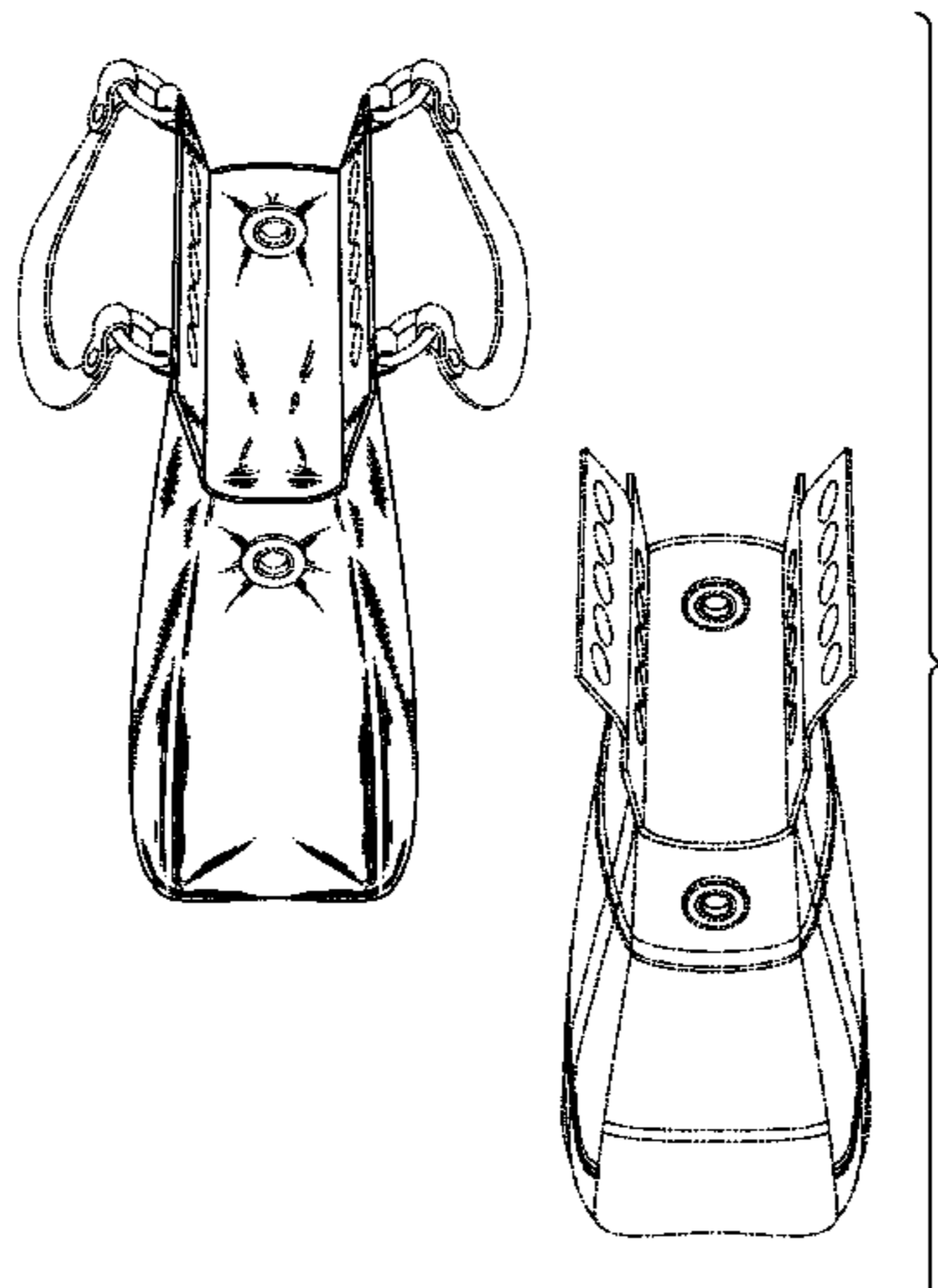
FIG. 6 is a top plan view thereof; and,

FIG. 7 is a bottom plan view thereof.

The broken, alternating long and short lines are for the purposes of illustrating environment and form no part of the claimed design. The evenly spaced broken lines represent stitching and are part of the claimed design.

**1 Claim, 7 Drawing Sheets**

- (56) **References Cited**
- U.S. PATENT DOCUMENTS**
- |             |         |           |
|-------------|---------|-----------|
| 840,086 A   | 1/1907  | Oswald    |
| 1,042,934 A | 9/1912  | Levy      |
| 1,960,396 A | 5/1934  | Rosenberg |
| 1,972,577 A | 9/1934  | Walinsky  |
| 1,978,971 A | 10/1934 | Thornhill |
| 2,023,144 A | 5/1935  | Miller    |
| 2,104,439 A | 1/1938  | Schein    |
| 2,118,400 A | 5/1938  | Goldberg  |
| 2,131,382 A | 9/1938  | Lobat     |
| D129,151 S  | 8/1941  | Lewis     |
| D131,188 S  | 1/1942  | Lewis     |
| 2,369,239 A | 2/1945  | Khoury    |
| 2,369,482 A | 2/1945  | Morris    |
| 2,437,382 A | 3/1948  | Czap      |
| 2,464,312 A | 3/1949  | Holden    |
| 2,477,388 A | 7/1949  | Moore     |



# US D661,089 S

Page 2

## U.S. PATENT DOCUMENTS

3,234,985	A	2/1966	Gilbert
3,451,454	A	6/1969	David
3,556,187	A	1/1971	Speakes
3,575,226	A	4/1971	Chapman
D224,072	S	6/1972	Rosenblum
3,669,169	A	6/1972	Lubliner
4,088,167	A	5/1978	Schwartz
4,112,991	A	9/1978	Barbaresi
D252,596	S	8/1979	Adler
4,260,004	A	4/1981	Domke
4,263,951	A	4/1981	Siegel
4,610,286	A	9/1986	Cyr
4,754,790	A	7/1988	Meyers
4,842,032	A	6/1989	Mastronardo
4,907,633	A	3/1990	Eckstein
5,096,030	A	3/1992	Espinosa
5,178,198	A	1/1993	Fitzgerald
D334,661	S	4/1993	Kohn
5,207,254	A	5/1993	Fromm
D346,694	S	5/1994	Cyr
5,356,004	A	10/1994	Weinrab
D354,399	S	1/1995	Georges
5,533,558	A	7/1996	Carey
5,725,039	A	3/1998	Macinai
5,765,618	A	6/1998	Toledano
5,829,502	A	11/1998	Distefano et al.
5,839,138	A	11/1998	Weidman
D403,863	S	1/1999	Briganti
D408,146	S	4/1999	Briganti
5,894,975	A	4/1999	Holden et al.
5,911,262	A	6/1999	Steinhart
5,983,464	A	11/1999	Bauer
5,983,969	A	11/1999	Morgan
6,003,573	A	12/1999	Owens
6,029,723	A	2/2000	Baquero
6,116,412	A	9/2000	Rogers
D432,310	S	10/2000	Salz
6,129,126	A	10/2000	Restivo
6,173,837	B1	1/2001	Marconi
6,179,025	B1	1/2001	Sutton
D437,687	S	2/2001	Salz
6,186,201	B1	2/2001	Salz
6,237,660	B1	5/2001	Giardino
D443,139	S	6/2001	Salz
D443,764	S	6/2001	Salz
D444,943	S	7/2001	Nastasi
6,394,157	B2	5/2002	Luna
6,422,278	B1	7/2002	Grogan
6,446,688	B1	9/2002	Sutton
6,543,499	B2	4/2003	McCreery
6,564,838	B1	5/2003	Cruickshank
D476,809	S	7/2003	Ko
D495,877	S	9/2004	Thorsen
6,796,344	B2	9/2004	Chen
6,807,992	B2	10/2004	Powers
D497,716	S	11/2004	de Baschmakoff
6,820,664	B1	11/2004	Ritch
6,968,880	B2	11/2005	Battaglia
6,971,424	B1	12/2005	Angevine
7,028,730	B2	4/2006	Pace et al.

7,222,649	B1	5/2007	Fox
7,246,643	B2	7/2007	Andrews
7,461,676	B2	12/2008	Huie
7,624,777	B2	12/2009	Paller
D610,801	S	3/2010	Romero
D611,705	S	3/2010	Romero
D613,062	S	4/2010	Romero
7,789,114	B2	9/2010	Pace
7,942,296	B1	5/2011	Johnson
8,028,730	B2	10/2011	Whiting
2001/0015248	A1	8/2001	McCreery
2002/0029831	A1	3/2002	Pendergrass
2002/0066505	A1	6/2002	Grogan
2003/0000612	A1	1/2003	Sutton
2003/0177664	A1	9/2003	Monassebian
2004/0050468	A1	3/2004	Powers
2004/0187988	A1	9/2004	Andrews
2005/0028908	A1	2/2005	Schaus
2005/0173034	A1	8/2005	Antrobus
2005/0274441	A1	12/2005	Pace
2006/0021684	A1	2/2006	DeCoro, III
2006/0157175	A1	7/2006	Pace
2006/0174984	A1	8/2006	Burns
2006/0208043	A1	9/2006	Plantan
2006/0237106	A1	10/2006	Pearson
2006/0266452	A1	11/2006	Huie
2006/0278311	A1	12/2006	Mittelstaedt
2007/0102077	A1	5/2007	Parker-Ogden
2007/0163689	A1	7/2007	Pace
2007/0209742	A1	9/2007	Morgan
2007/0221136	A1	9/2007	Buttner
2007/0240798	A1	10/2007	Bihler
2008/0006355	A1	1/2008	Gomez
2008/0185082	A1	8/2008	Mejia
2008/0230158	A1	9/2008	Romero
2009/0065110	A1	3/2009	Cassella
2009/0188592	A1	7/2009	Connacher
2010/0218863	A1	9/2010	Church
2011/0000590	A1	1/2011	Welch
2011/0005646	A1	1/2011	Nelson
2011/0011503	A1	1/2011	Parker
2011/0061778	A1	3/2011	Gomez Micone
2011/0253273	A1	10/2011	Kay

## FOREIGN PATENT DOCUMENTS

FR	1117240	5/1956
GB	2350285	11/2000
GB	2377882 A	1/2003
JP	2002051816	2/2002
KR	20-030050218	5/2004
WO	2001091596	12/2001
WO	2005008552	1/2005
WO	2006002005	1/2006
WO	2006122197	11/2006

## OTHER PUBLICATIONS

European Search Report, Application U.S. Appl. No. 09014069.0-1258/2163169, Mailed Mar. 3, 2010.  
 International Search Report and Opinion for PCT/US2009/054896, Mailed Oct. 30, 2009.



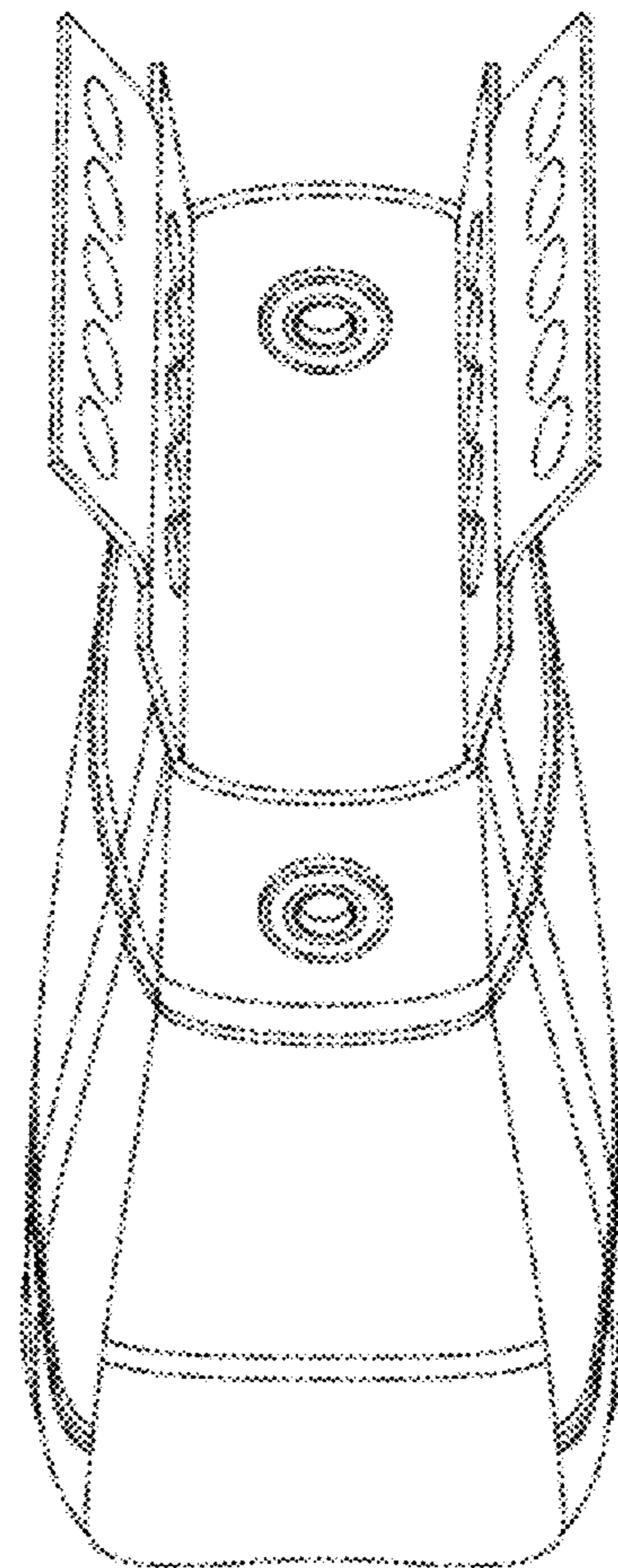
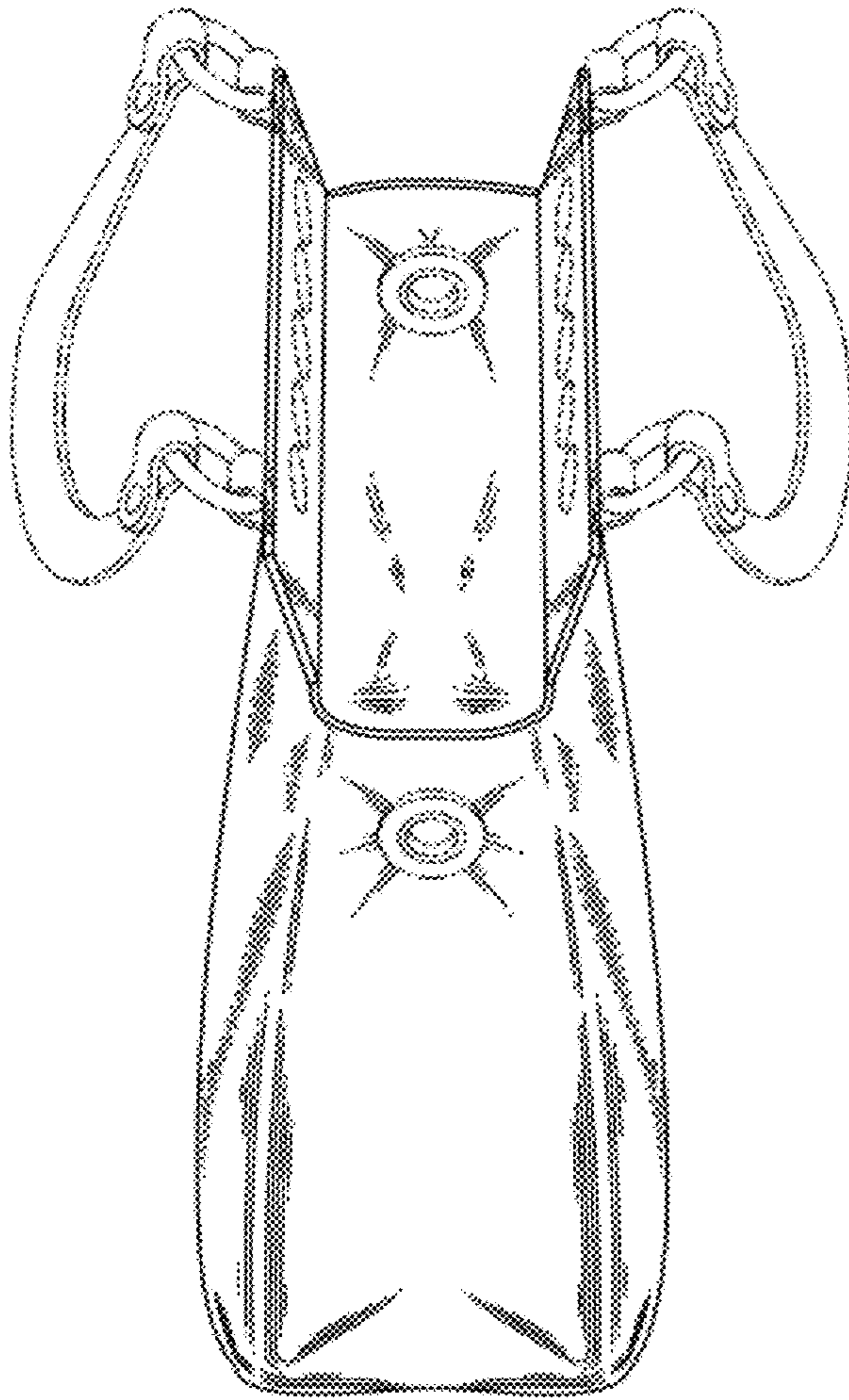


Fig. 1



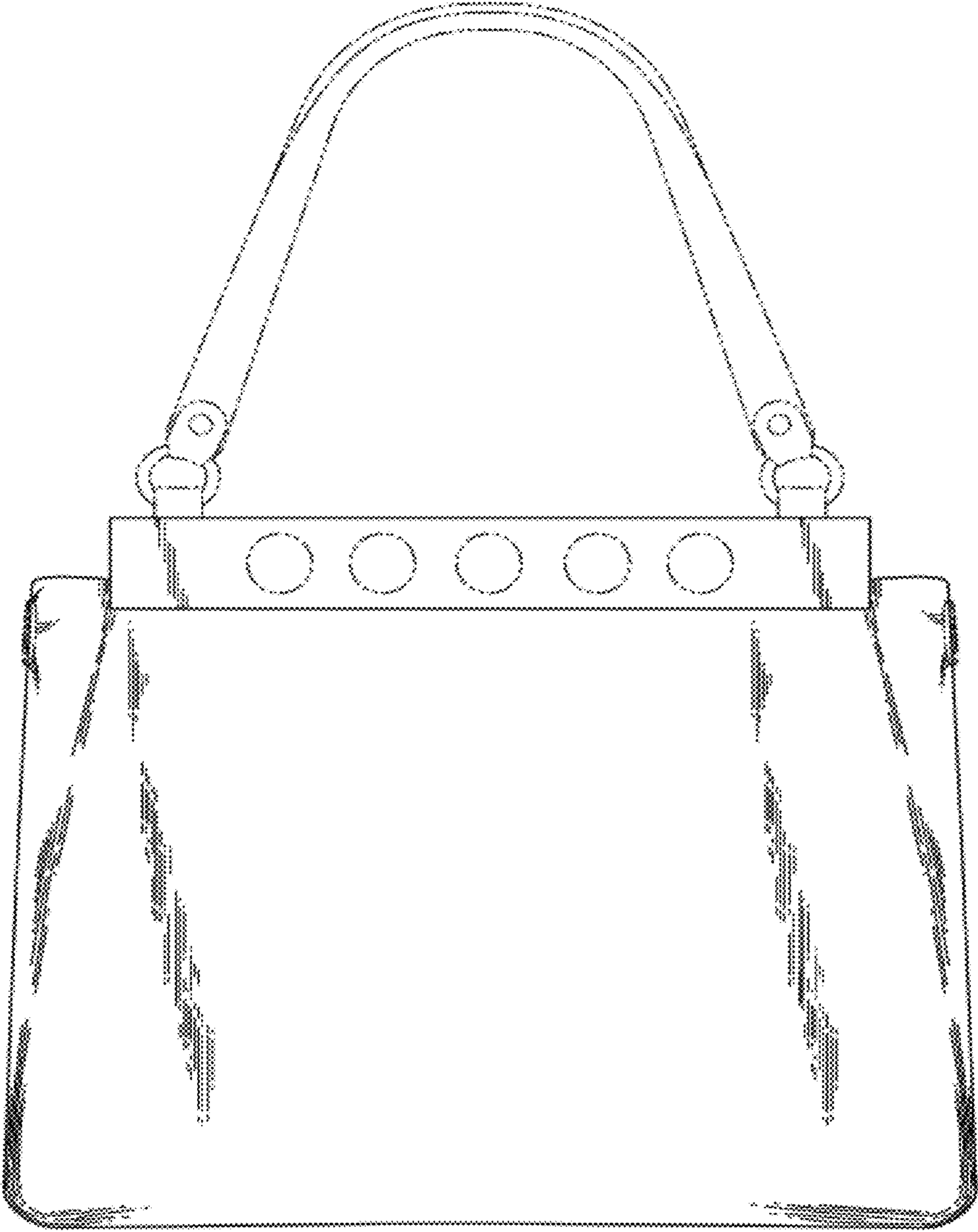


Fig. 2

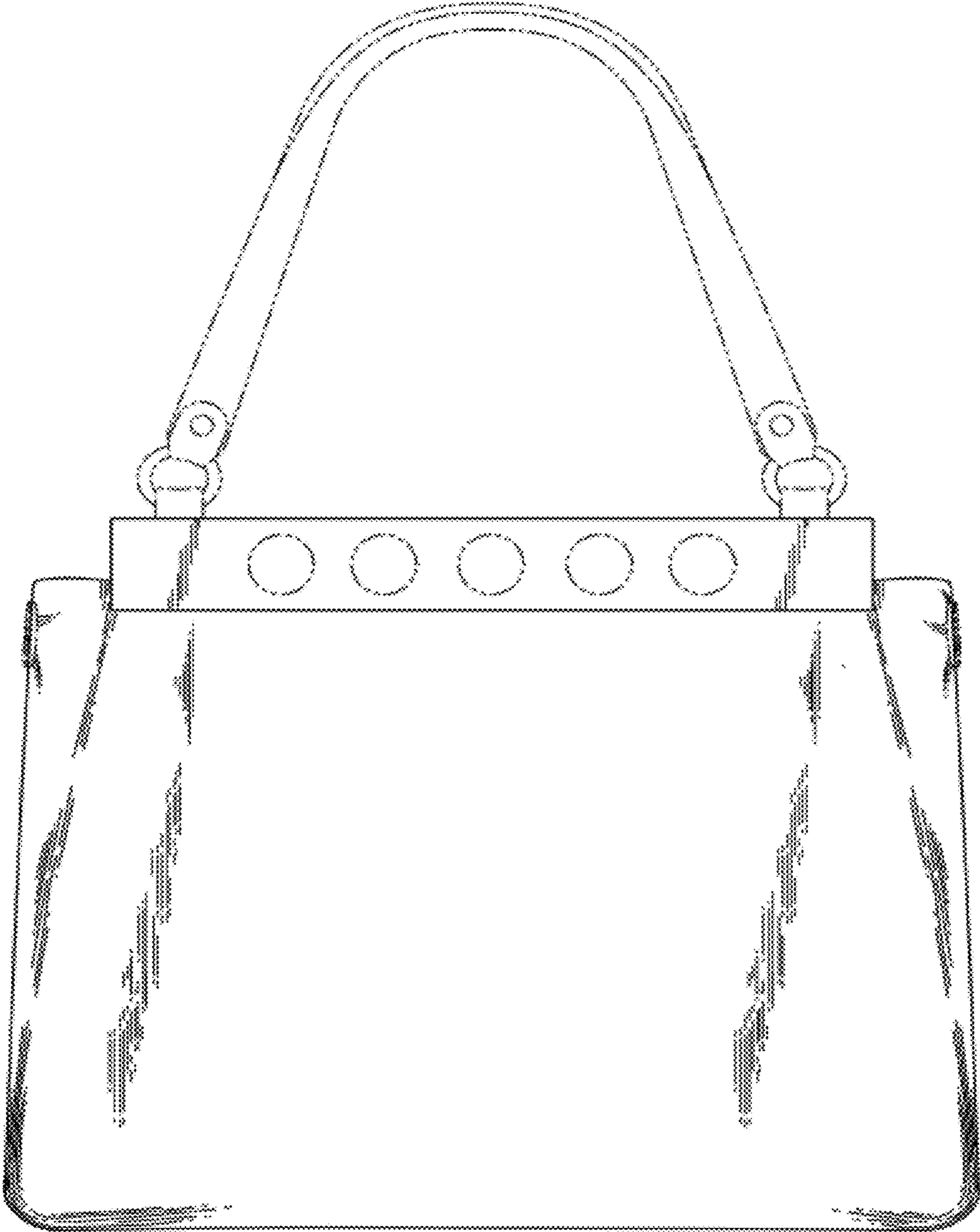
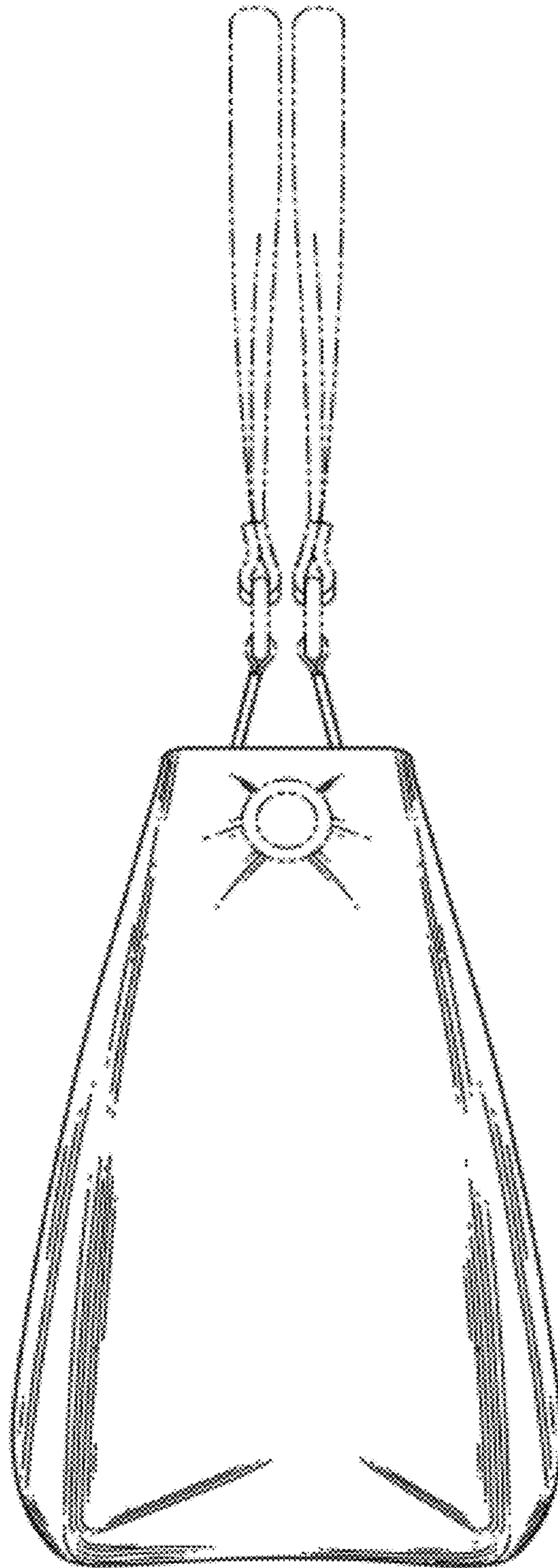
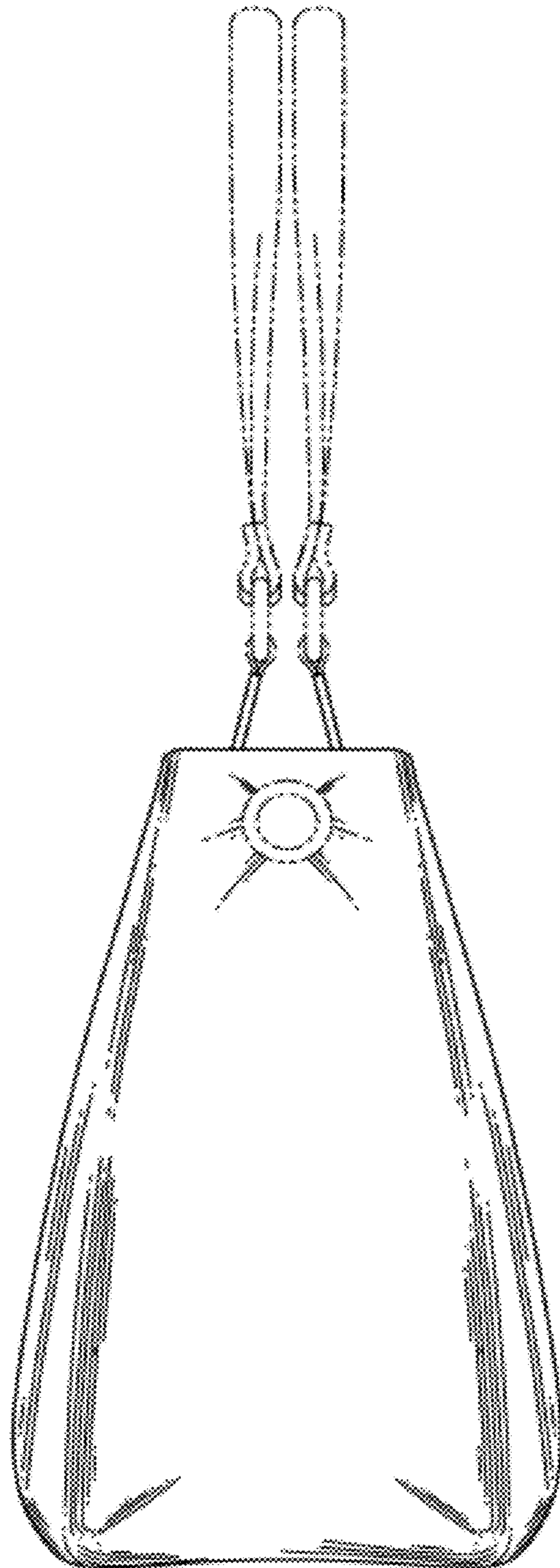


Fig. 3

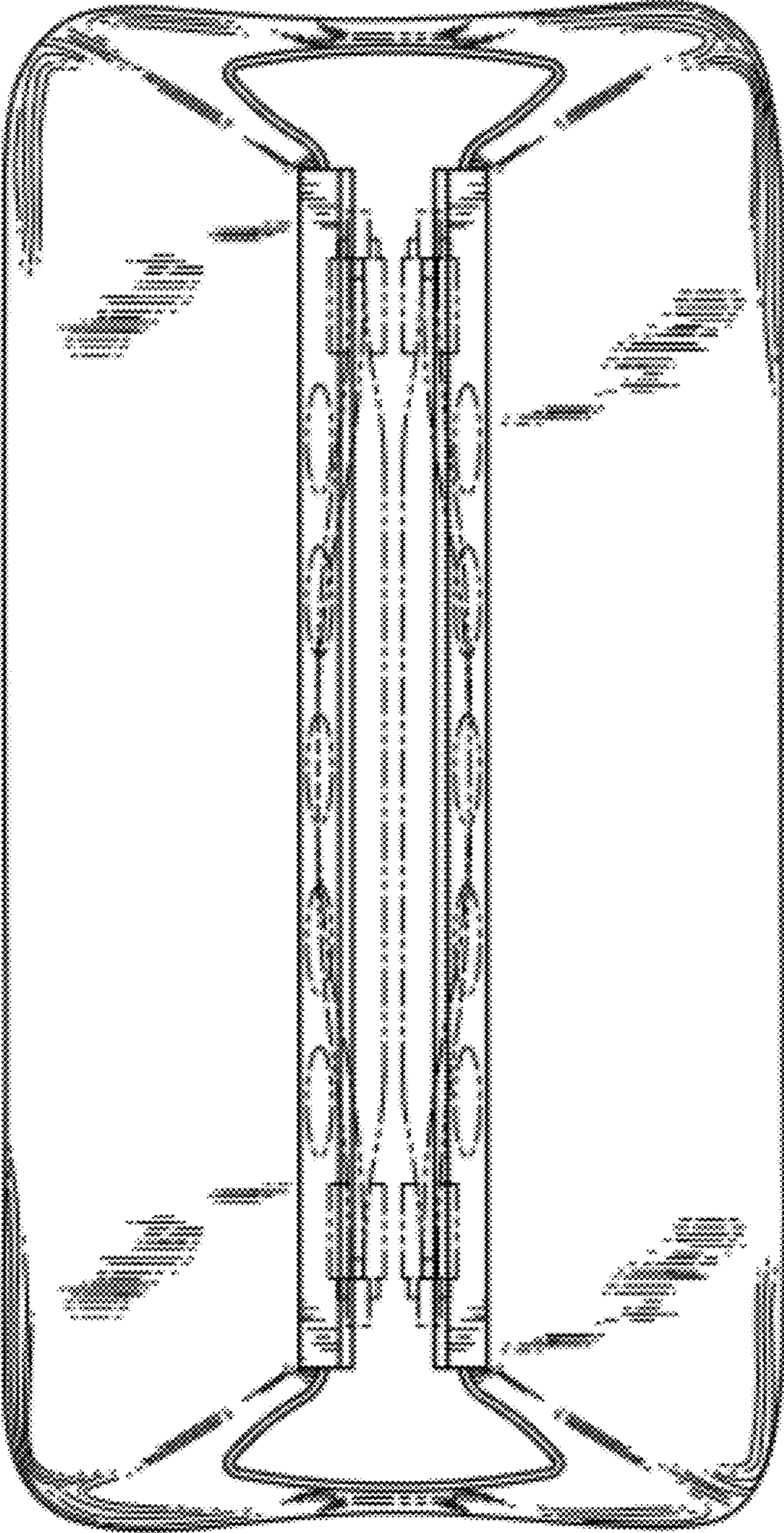


**Fig. 4**



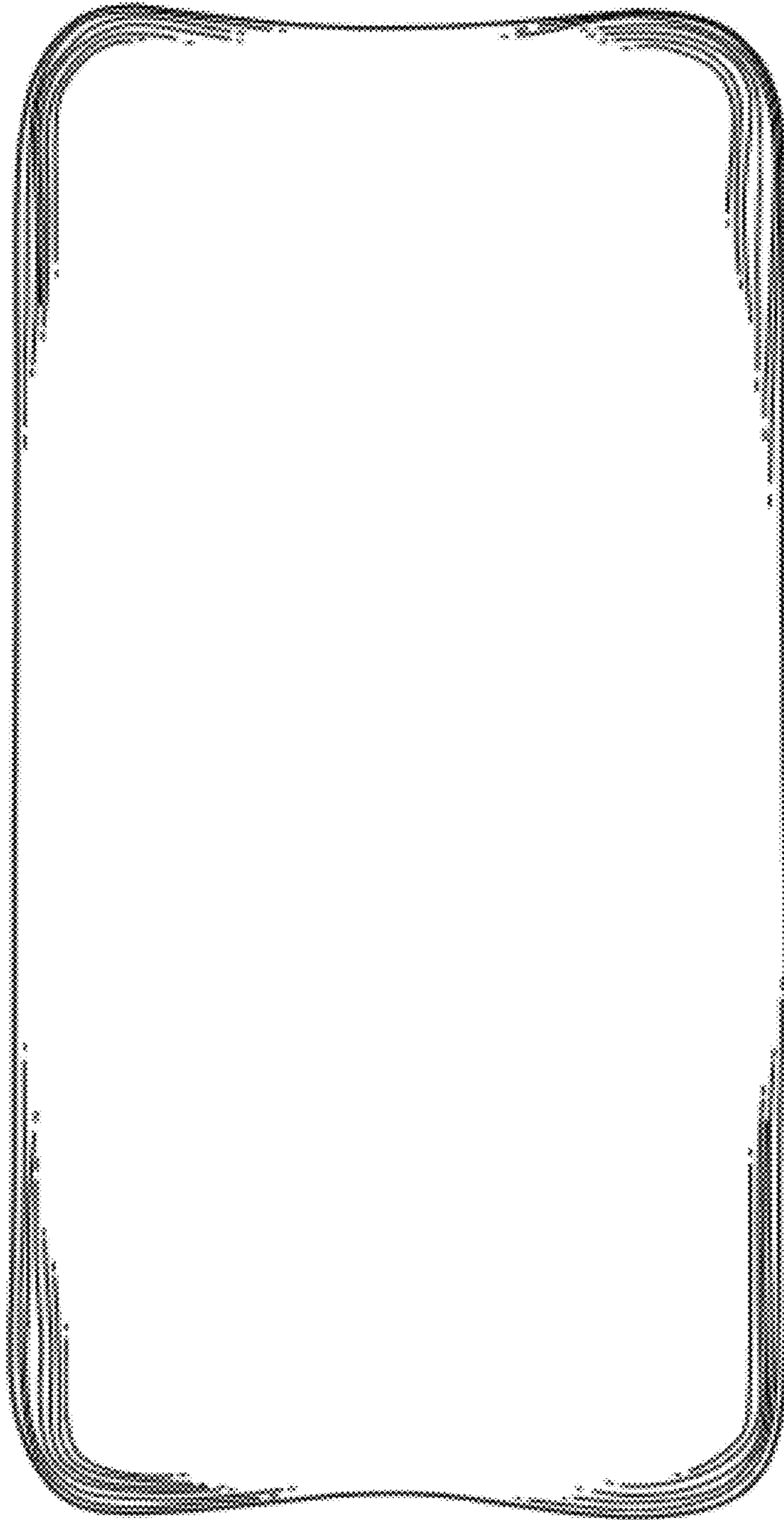


**Fig. 5**



**Fig. 6**





*Fig. 7*