



US00D661085S

(12) **United States Design Patent**  
**Custer**

(10) **Patent No.:** **US D661,085 S**  
(45) **Date of Patent:** **\*\* Jun. 5, 2012**

(54) **BACKPACK**

(76) Inventor: **Dan Custer**, Germantown, TN (US)

(\*\*) Term: **14 Years**

(21) Appl. No.: **29/369,878**

(22) Filed: **Sep. 14, 2010**

(51) **LOC (9) Cl.** ..... **03-01**

(52) **U.S. Cl.** ..... **D3/217**

(58) **Field of Classification Search** ..... D3/214,  
D3/215, 216, 217, 270; D2/830; 224/153,  
224/576, 577, 578

See application file for complete search history.

(56) **References Cited**

**U.S. PATENT DOCUMENTS**

2,247,320	A	6/1941	Stanley	
2,960,137	A *	11/1960	Lipsitz	206/316.2
4,449,655	A *	5/1984	Germe	224/153
4,513,866	A *	4/1985	Thomas	206/570
D284,620	S *	7/1986	Calton	D7/605
4,609,084	A *	9/1986	Thomas	190/110
4,767,039	A *	8/1988	Jacobson	224/153
D302,211	S *	7/1989	Sears	D3/283
D323,237	S *	1/1992	Zoltie	D2/831
D323,426	S *	1/1992	Mahvi et al.	D3/214
5,165,111	A *	11/1992	Lieberman	2/94
5,222,642	A *	6/1993	Solarz	224/191
D354,849	S *	1/1995	Herman et al.	D3/216
5,377,887	A *	1/1995	Garcia	224/153
D360,182	S *	7/1995	Lovett	D12/409
5,456,353	A *	10/1995	Challoner et al.	206/292
D375,402	S *	11/1996	Yeh	D3/217
5,706,992	A *	1/1998	Moor	224/657
D407,214	S *	3/1999	Chapman	D3/217
D408,133	S *	4/1999	Francis et al.	D3/214
D412,787	S *	8/1999	Young	D3/283
5,964,384	A *	10/1999	Young	224/153
6,129,254	A *	10/2000	Yu	224/575
6,134,712	A *	10/2000	Spector	2/94
6,152,338	A *	11/2000	Smith	224/149

6,161,738	A *	12/2000	Norris	224/153
6,164,509	A *	12/2000	Gausling et al.	224/627
D443,758	S *	6/2001	Stylianou	D3/216
D446,009	S *	8/2001	Mandell	D3/217
6,336,577	B1 *	1/2002	Harris et al.	224/153
D472,371	S *	4/2003	Pomare	D3/216
6,595,334	B1 *	7/2003	Saetia	190/18 A
D511,620	S *	11/2005	Van Himbebeck	D3/217
6,994,193	B2 *	2/2006	Saetia	190/18 A
D516,306	S	3/2006	Koenig et al.	
D534,353	S	1/2007	Hsieh	
D554,862	S	11/2007	Hsieh	
D582,673	S	12/2008	Mangano	
D590,154	S	4/2009	Hopwood et al.	

(Continued)

**FOREIGN PATENT DOCUMENTS**

WO PCT/US11/21922 1/2011

(Continued)

**OTHER PUBLICATIONS**

U.S. Appl. No. 61/386,549, Custer, Can.

*Primary Examiner* — T. Chase Nelson

(74) *Attorney, Agent, or Firm* — Julie R. Baldrige; Baker Donelson Bearman Caldwell & Berkowitz

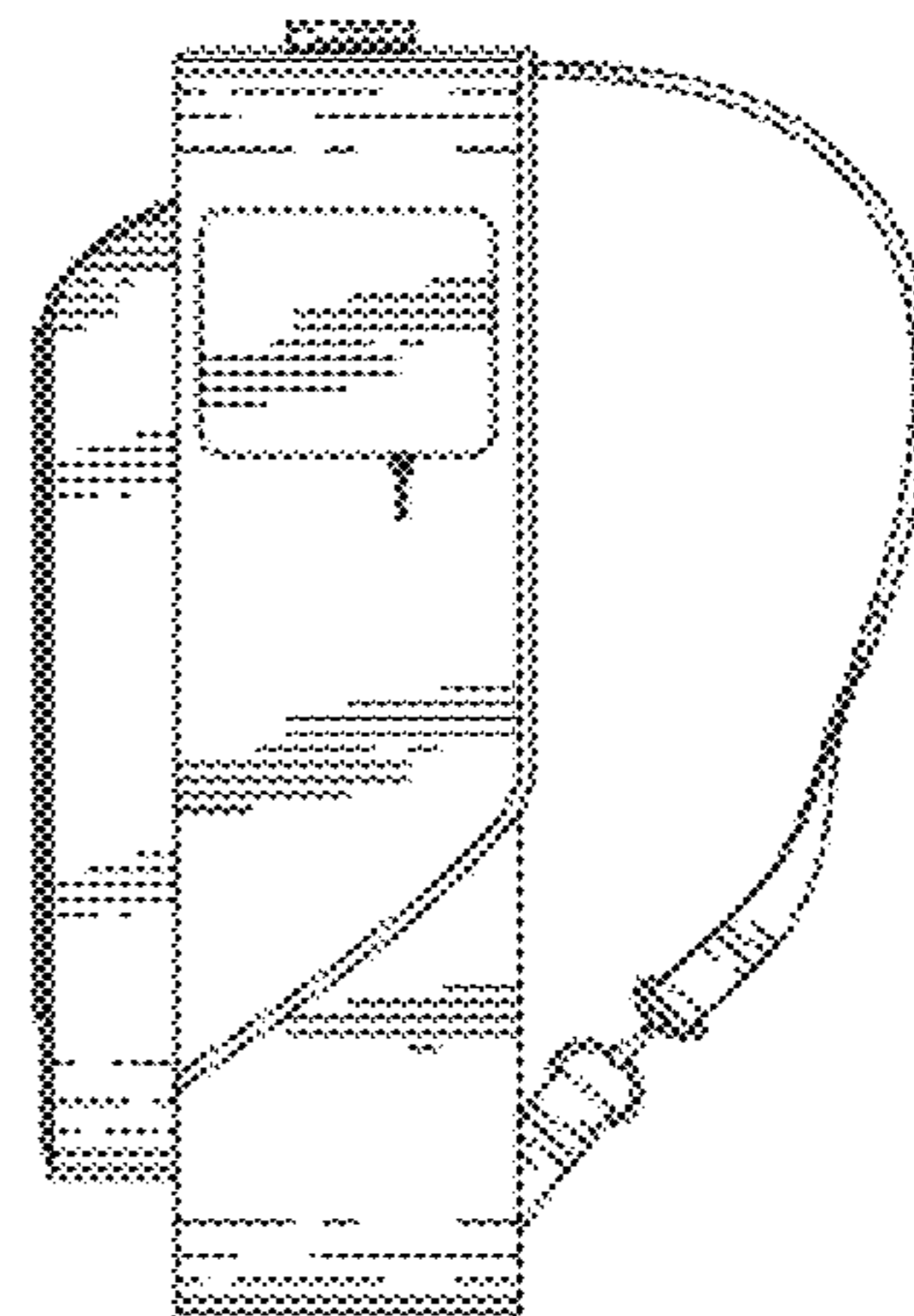
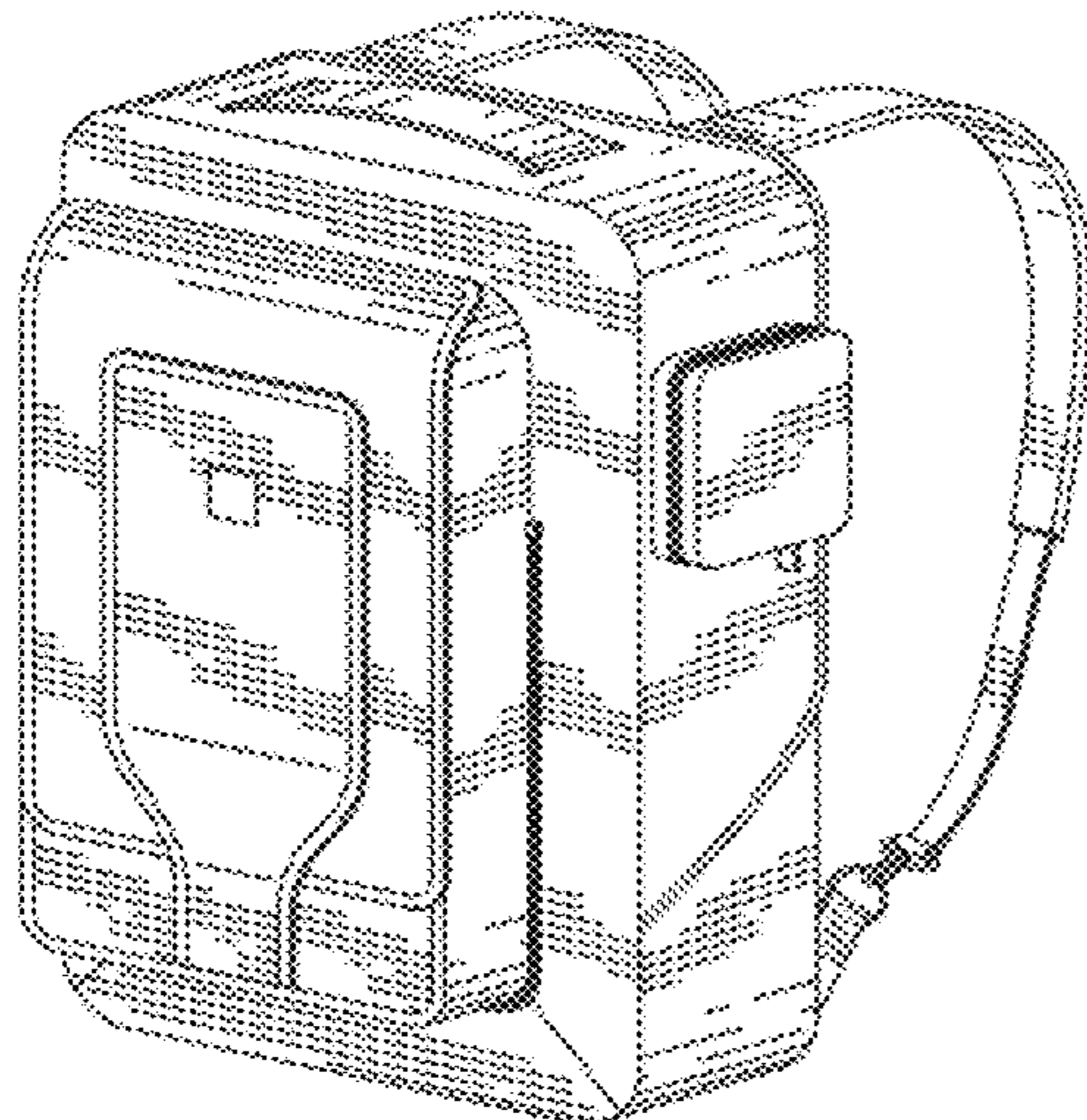
(57) **CLAIM**

I claim the ornamental design for a backpack, as shown.

**DESCRIPTION**

FIG. 1 is a perspective view of one embodiment of a backpack showing my new design;  
FIG. 2 is a front elevation view thereof;  
FIG. 3 is a rear elevation view thereof;  
FIG. 4 is a right elevation view thereof;  
FIG. 5 is a left elevation view thereof;  
FIG. 6 is a top view thereof; and,  
FIG. 7 is a bottom view thereof.

**1 Claim, 2 Drawing Sheets**



# US D661,085 S

Page 2

## U.S. PATENT DOCUMENTS

D597,309 S 8/2009 Jongchul  
D601,340 S 10/2009 Shaw  
D601,342 S 10/2009 Choi  
D605,849 S \* 12/2009 Mori ..... D3/217  
D638,623 S \* 5/2011 Chen ..... D3/204  
D640,051 S 6/2011 Custer  
D640,054 S 6/2011 Custer  
8,028,879 B2 \* 10/2011 Amishay ..... 224/578  
2003/0015559 A1 \* 1/2003 Oh ..... 224/153  
2003/0205593 A1 \* 11/2003 Lavelle ..... 224/153  
2004/0094583 A1 \* 5/2004 Bernbaum et al. .... 224/153  
2006/0163303 A1 \* 7/2006 Trutanich ..... 224/576  
2007/0164063 A1 \* 7/2007 Concepcion ..... 224/153

2008/0116026 A1 \* 5/2008 Bass et al. .... 190/1  
2008/0135365 A1 6/2008 Han  
2008/0169325 A1 \* 7/2008 Amishay ..... 224/579  
2009/0139814 A1 6/2009 Grossman et al.  
2009/0201671 A1 \* 8/2009 Huntley ..... 362/108  
2010/0072235 A1 \* 3/2010 Barton et al. .... 224/153  
2010/0101971 A1 4/2010 Chisholm  
2010/0219221 A1 \* 9/2010 Zheng ..... 224/576  
2010/0282790 A1 \* 11/2010 Peters et al. .... 224/153

## FOREIGN PATENT DOCUMENTS

WO PCT/US11/28287 3/2011

\* cited by examiner

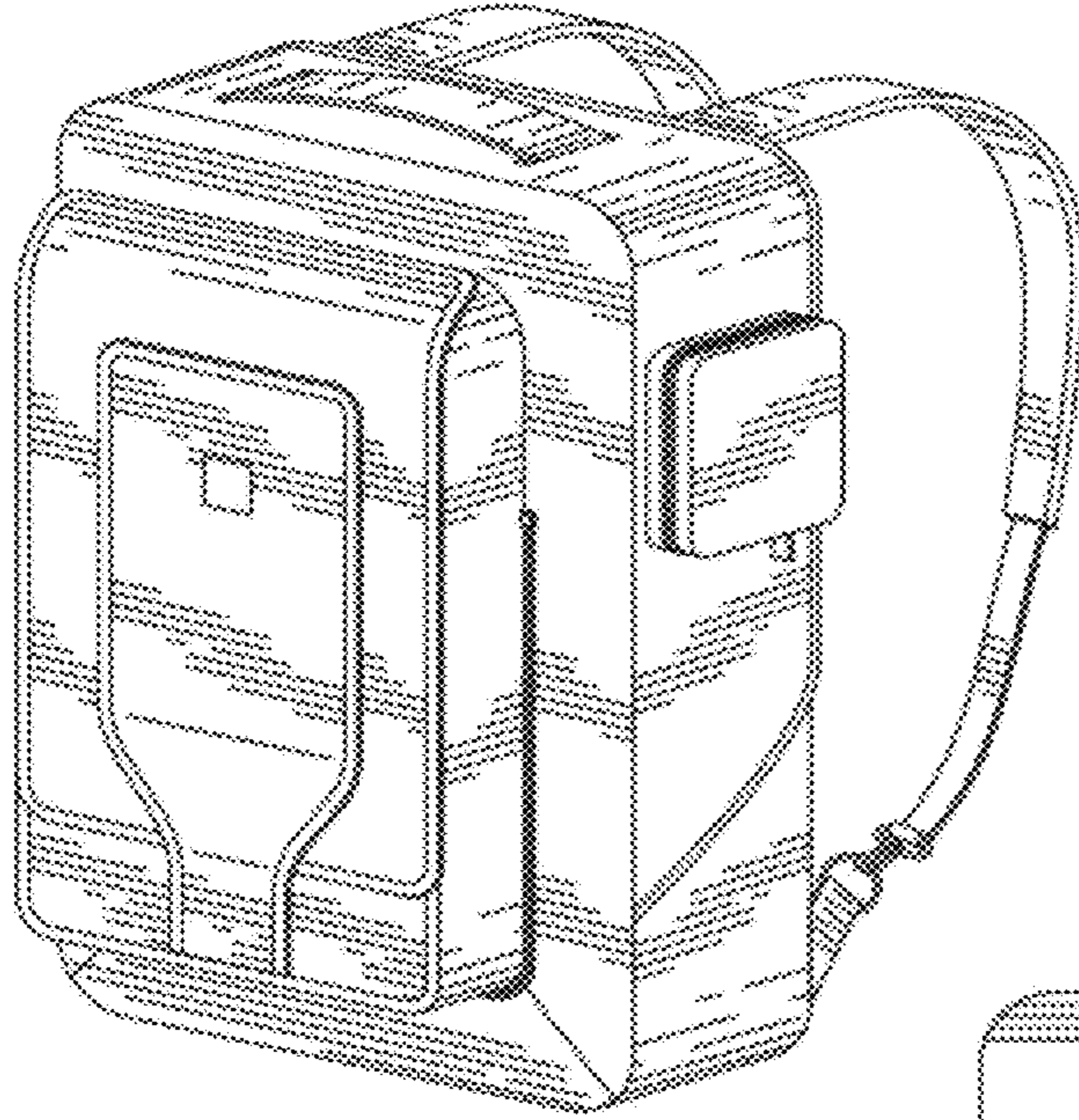


FIG. 1

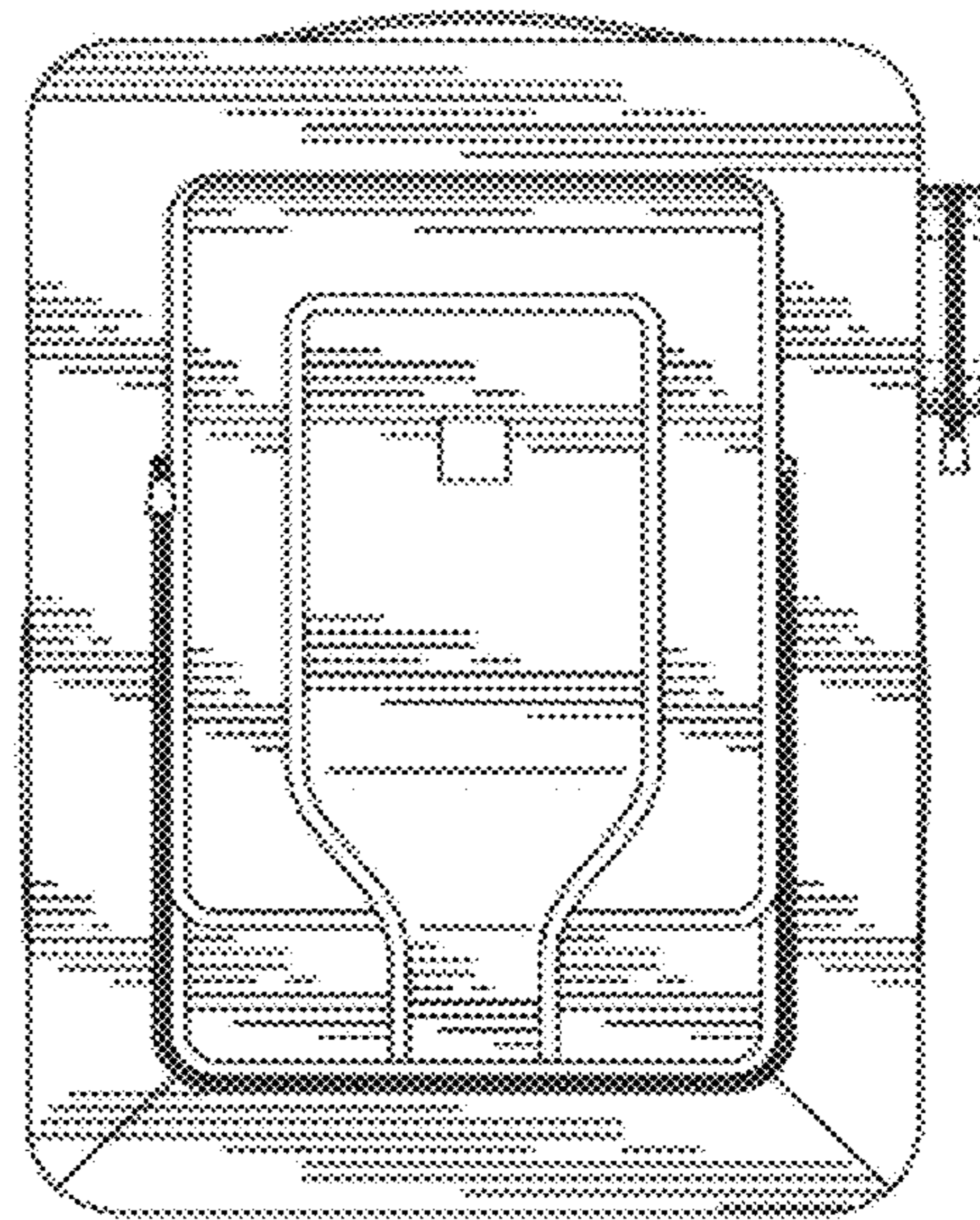


FIG. 2

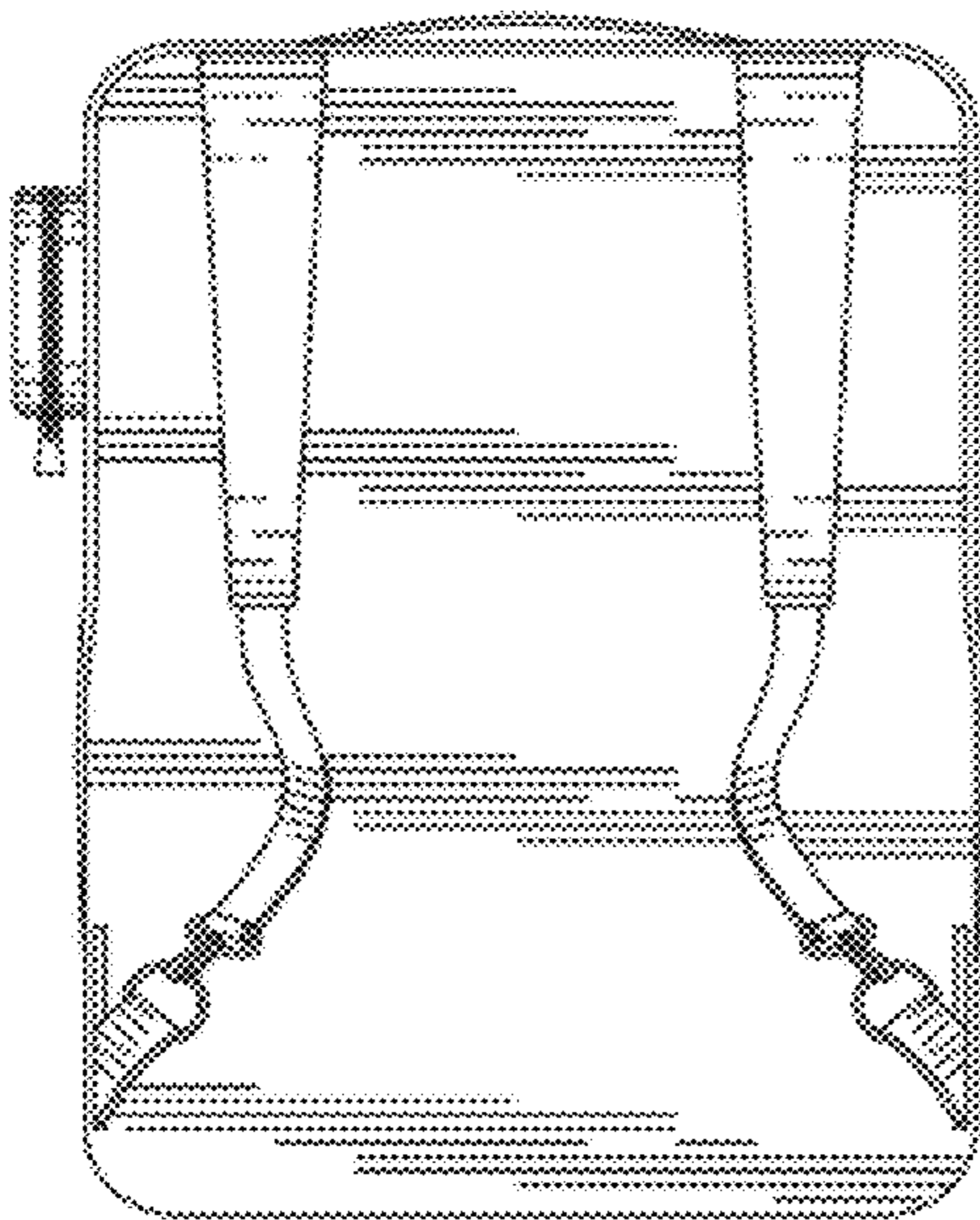


FIG. 3

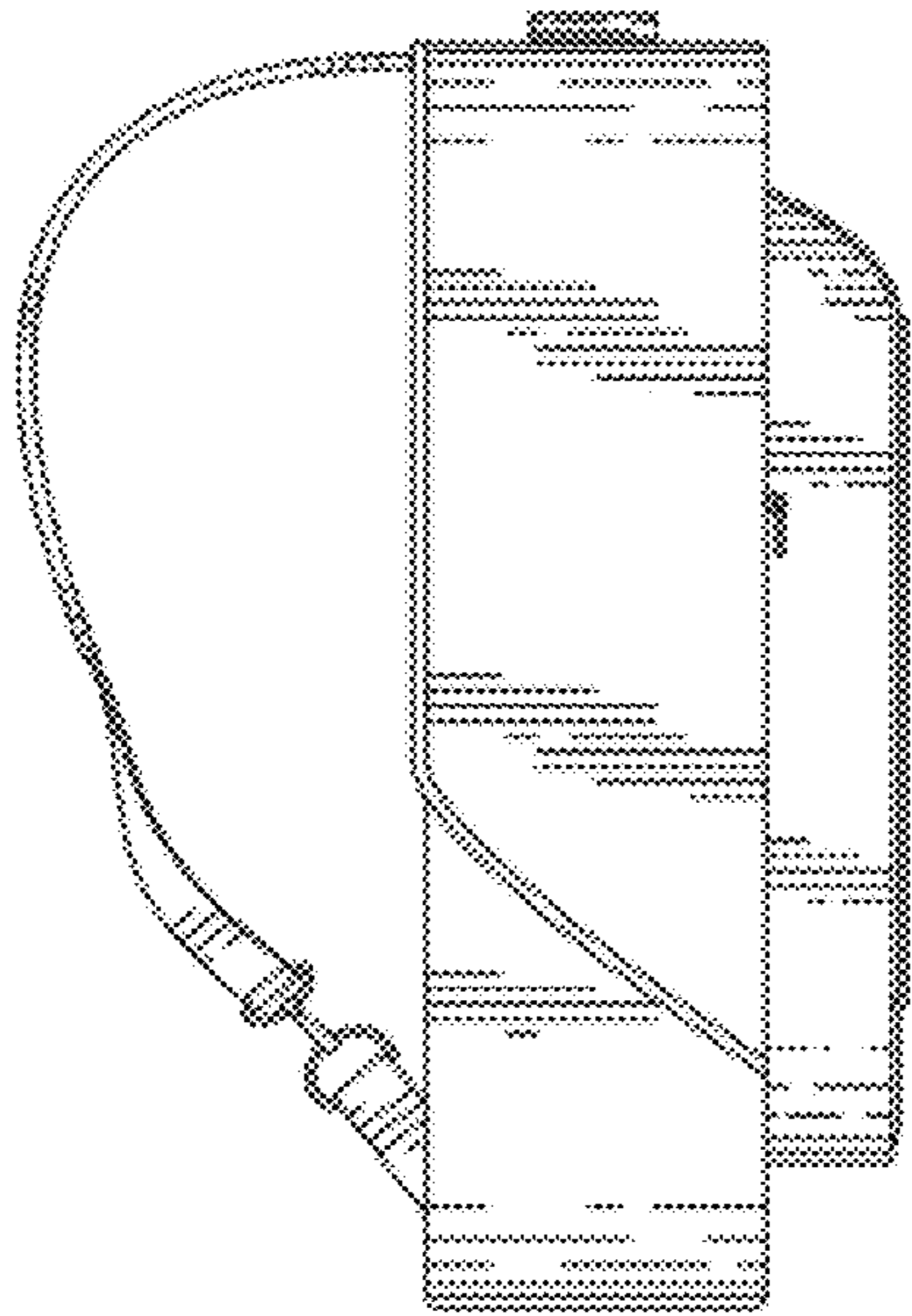


FIG. 4

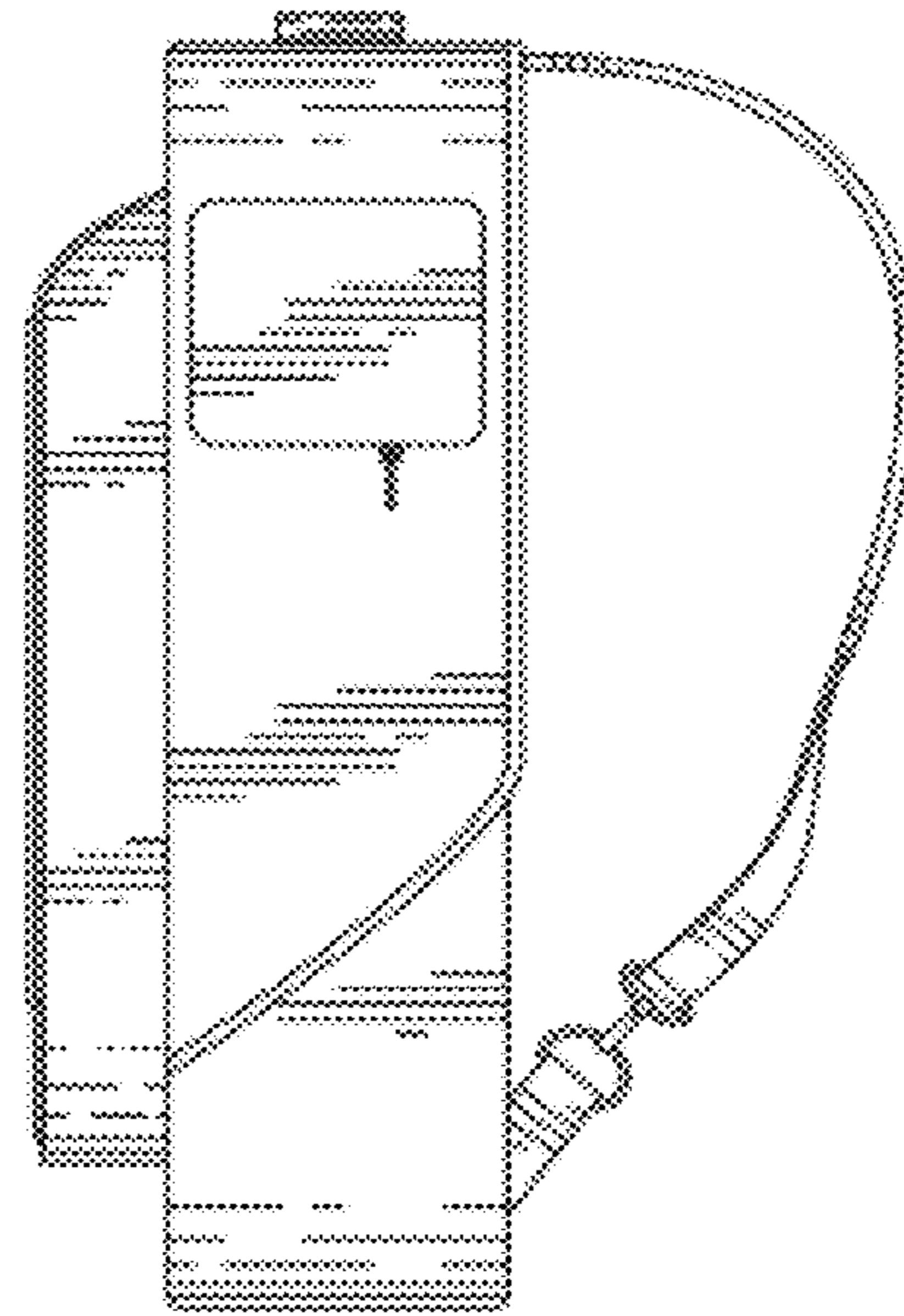


FIG. 5

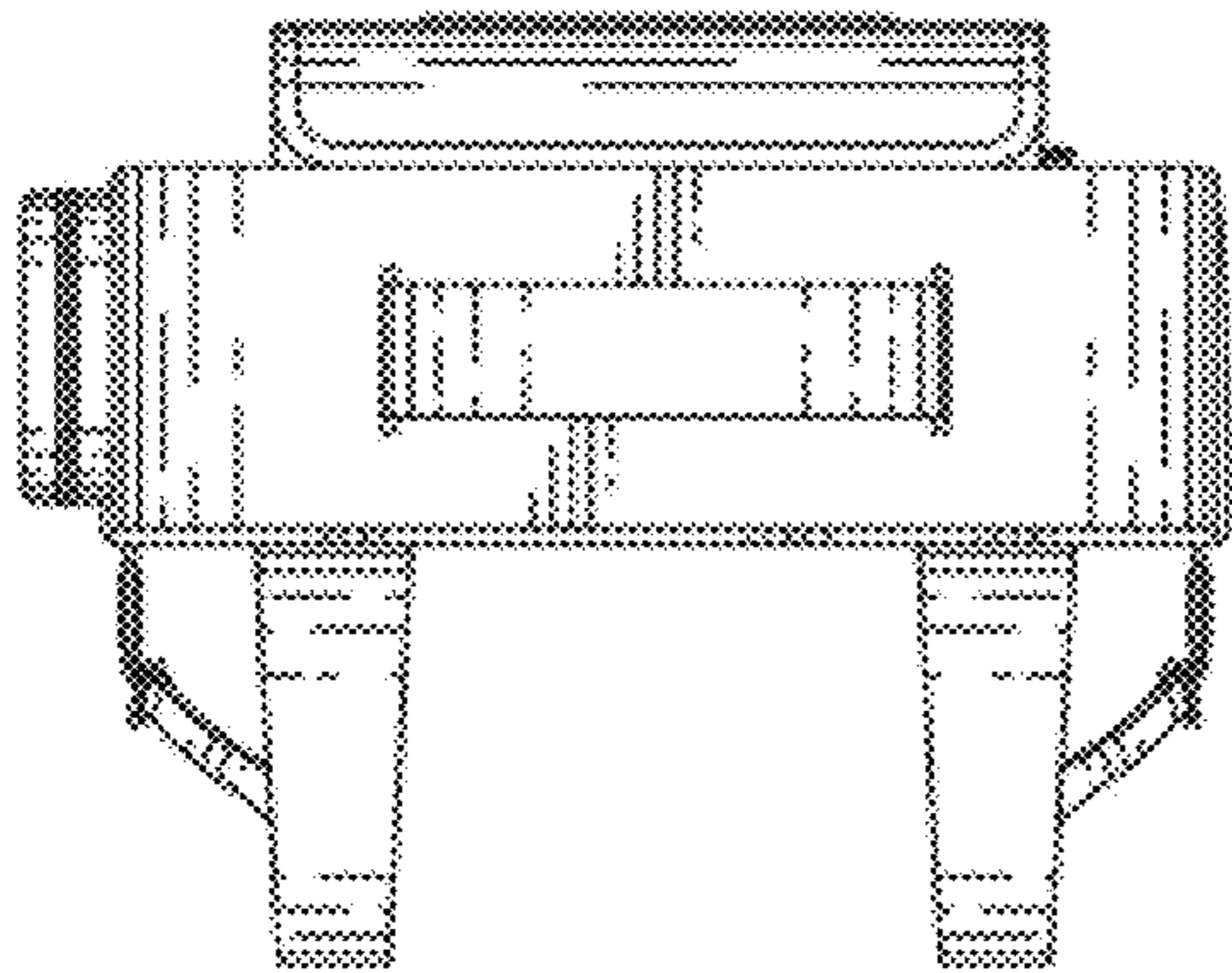


FIG. 6

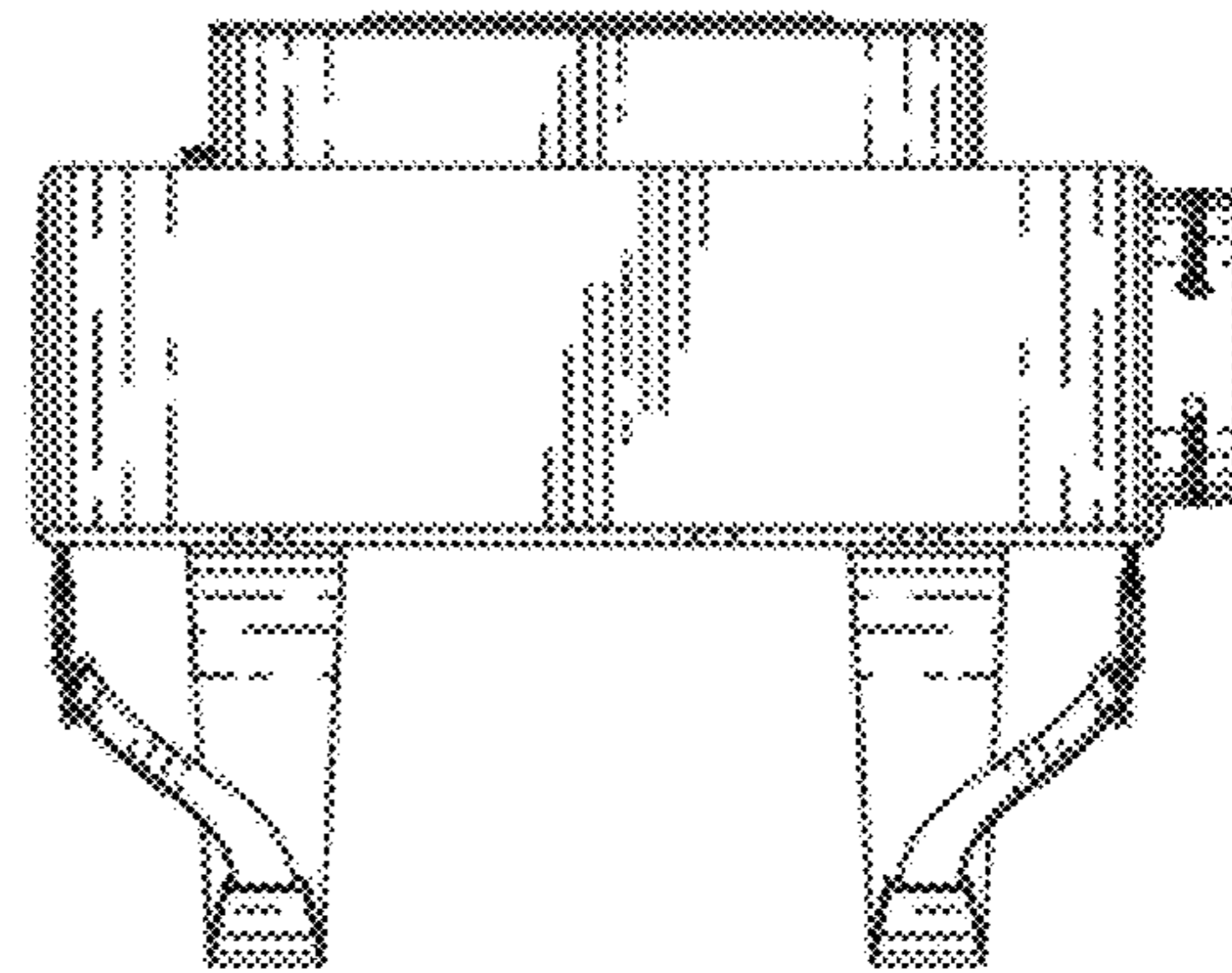


FIG. 7