



US00D661084S

(12) **United States Design Patent**
Rubin et al.

(10) **Patent No.:** **US D661,084 S**
(45) **Date of Patent:** **** Jun. 5, 2012**

(54) **MULTI-TOOL WITH ARTIFICIAL KEY AND LED**

2006/0215394 A1 9/2006 Evans
2007/0159811 A1 7/2007 Chen
2009/0296377 A1 12/2009 Berman

(75) Inventors: **Bennett S. Rubin**, Pepper Pike, OH (US); **Richard C. Adamany**, Chagrin Falls, OH (US)

* cited by examiner

(73) Assignee: **InterDesign, Inc.**, Solon, OH (US)

Primary Examiner — Ralf Seifert

(**) Term: **14 Years**

(74) *Attorney, Agent, or Firm* — D. Peter Hochberg; Sean F. Mellino; Daniel J. Smola

(21) Appl. No.: **29/374,522**

(57) **CLAIM**
The ornamental design for a multi-tool with artificial key and LED, as shown and described.

(22) Filed: **Aug. 25, 2011**

DESCRIPTION

(51) **LOC (9) Cl.** **03-01**

(52) **U.S. Cl.** **D3/210**

(58) **Field of Classification Search** D11/1-2,
D11/14, 26-29, 89-92, 44, 48, 81, 99; 63/26-28,
63/32; D3/207-212; D8/38; 70/456 B;
206/37.1; D13/168

See application file for complete search history.

FIG. 1 is a perspective front view of the multi-tool with artificial key and LED taken from an elevation at the front of the device;

FIG. 2 is a perspective rear view of the multi-tool with artificial key and LED taken from an elevation at the rear of the device;

FIG. 3 is a side view of the multi-tool with artificial key and LED;

FIG. 4 is a front plan view of the multi-tool with artificial key and LED;

FIG. 5 is a top plan view of the multi-tool with artificial key and LED;

FIG. 6 is a rear plan view of the multi-tool with artificial key and LED;

FIG. 7 is a bottom plan view of the multi-tool with artificial key and LED;

FIG. 8 is a side plan view of the multi-tool with artificial key and LED taken from the opposite side from that taken in FIG. 3; and,

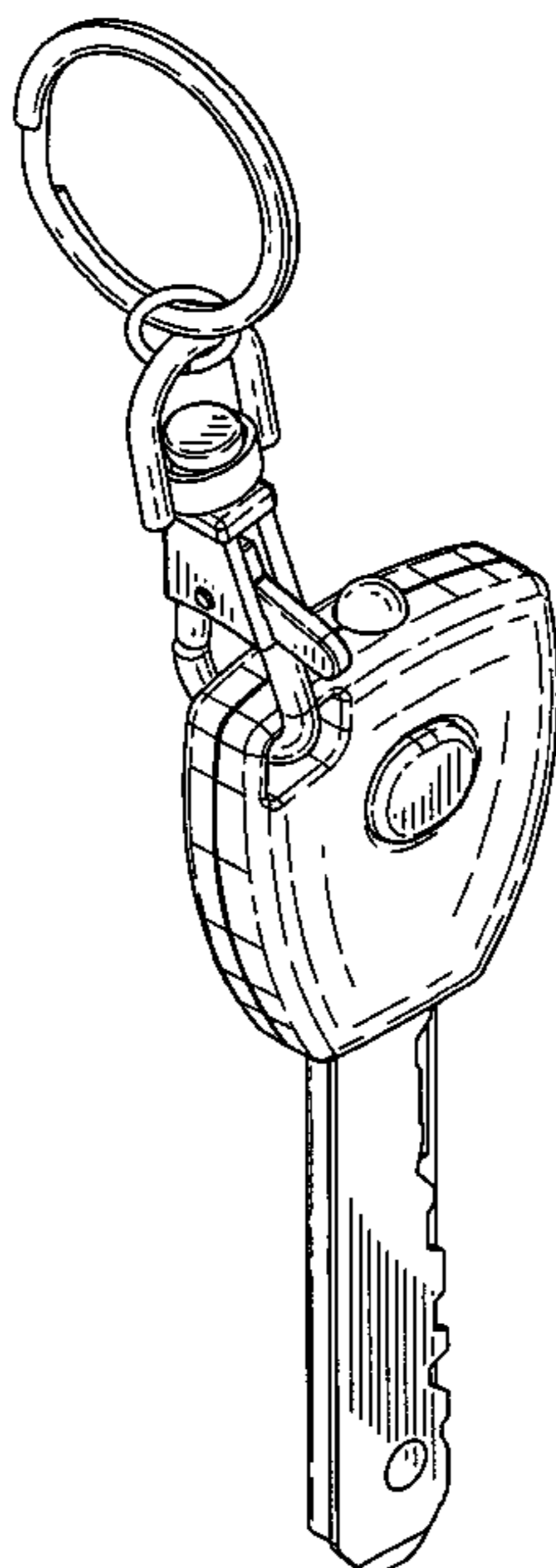
FIG. 9 is a front perspective view of the multi-tool with artificial key and LED with a knife incorporated therein in an open position and shown in phantom.

(56) **References Cited**

U.S. PATENT DOCUMENTS

D3,942 S	3/1870	Elwell	
172,195 A	1/1876	Spring	
200,512 A	2/1878	Coleman	
384,592 A	6/1888	Ross	
3,310,668 A	3/1967	Schwartz	
5,621,936 A	4/1997	Penaligon et al.	
D383,895 S *	9/1997	Christie	D3/208
D405,953 S	2/1999	Legg	
6,112,352 A	9/2000	Legg	
D442,466 S	5/2001	Van Den Acker	
D446,436 S *	8/2001	Christianson	D8/105
7,036,950 B1	5/2006	Freeman et al.	
D528,880 S *	9/2006	Belflower	D8/16
7,159,993 B1	1/2007	Lu	
7,329,021 B1	2/2008	Hoffman	
D622,770 S *	8/2010	Shi	D19/51

1 Claim, 4 Drawing Sheets



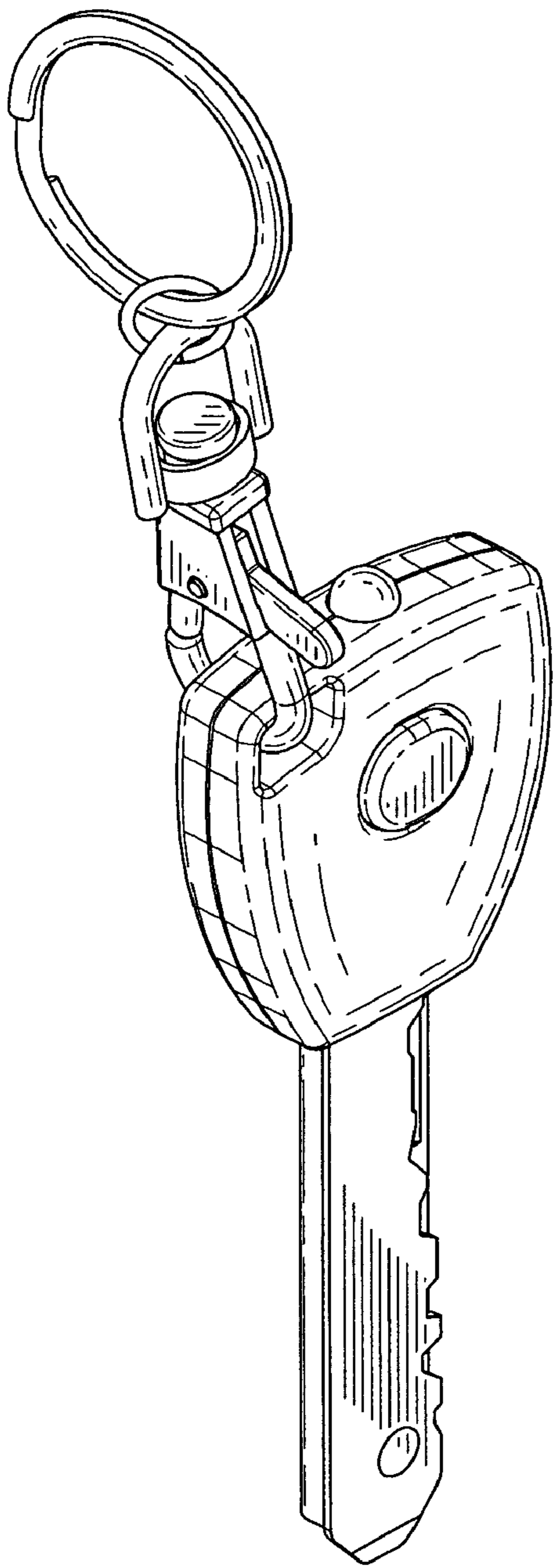


FIG-1

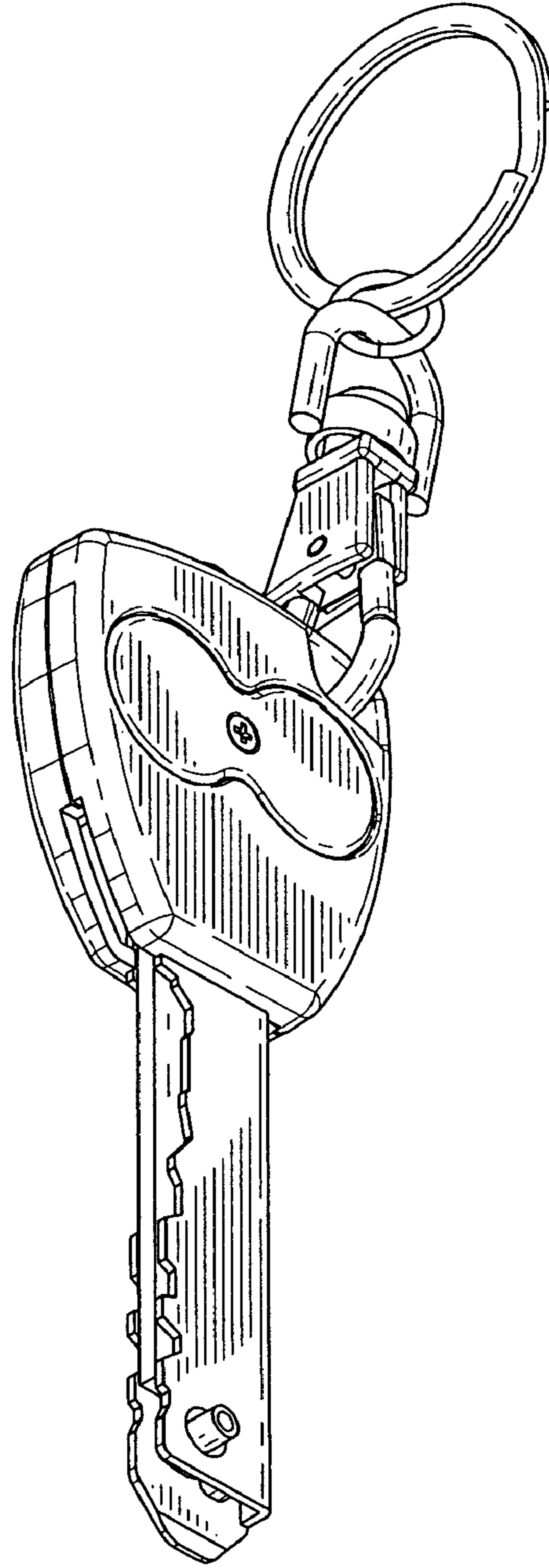


FIG-2

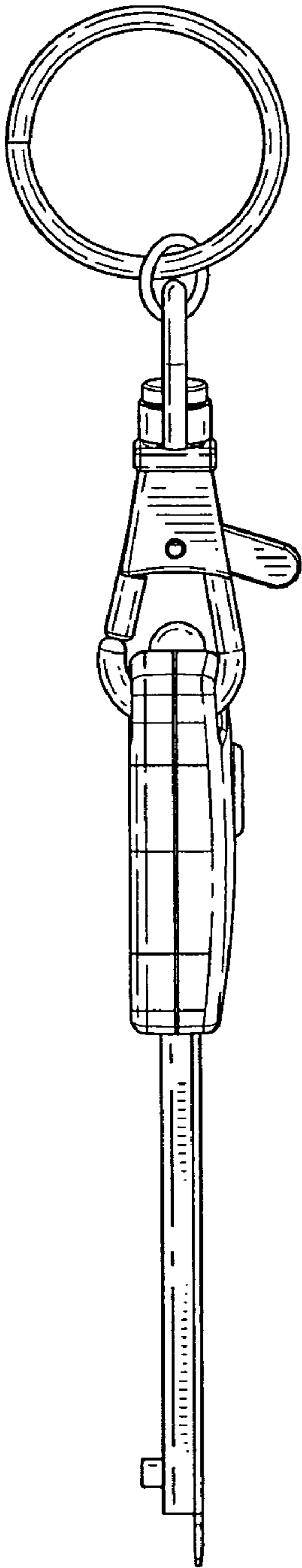


FIG-3

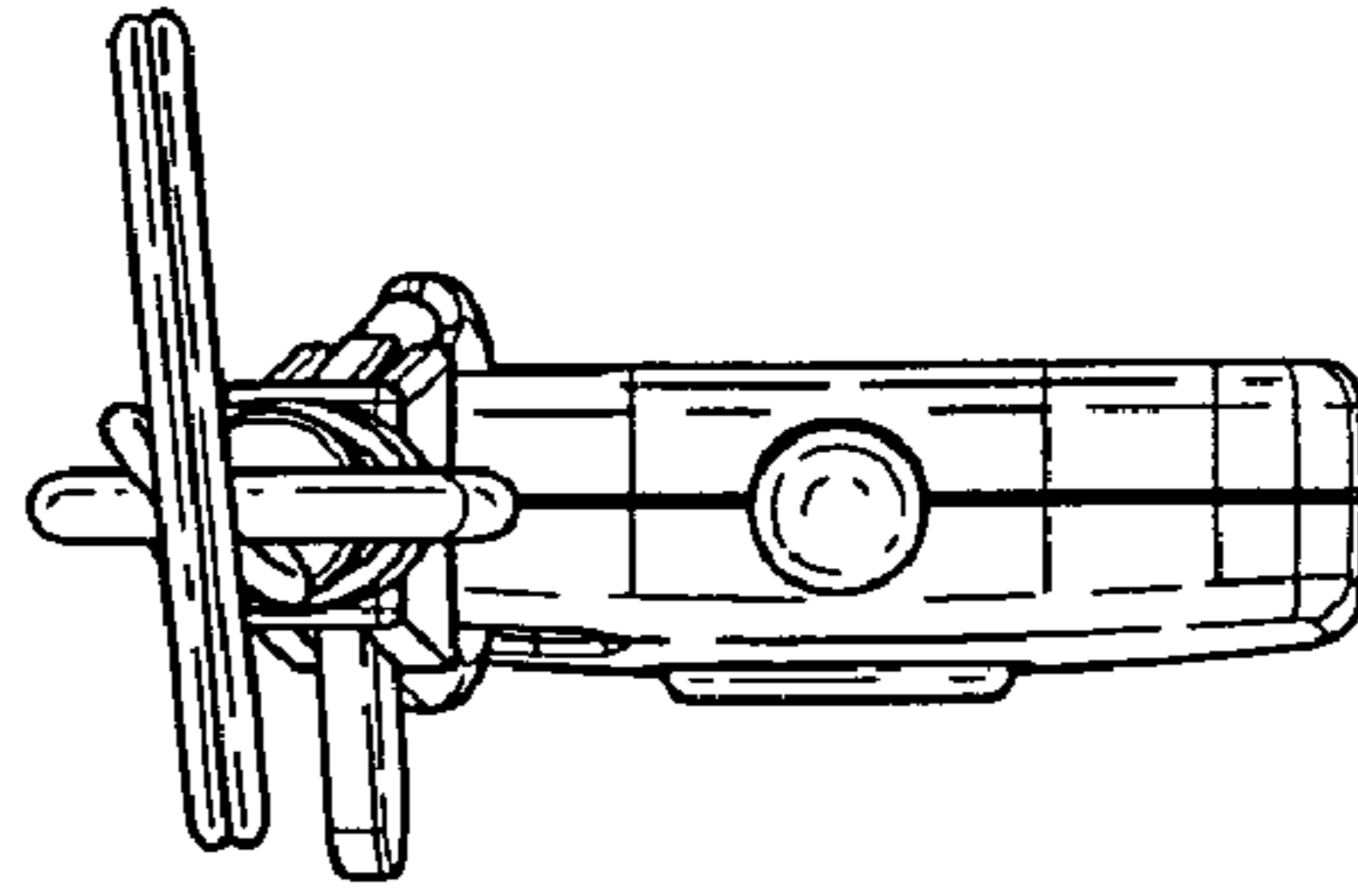


FIG-5

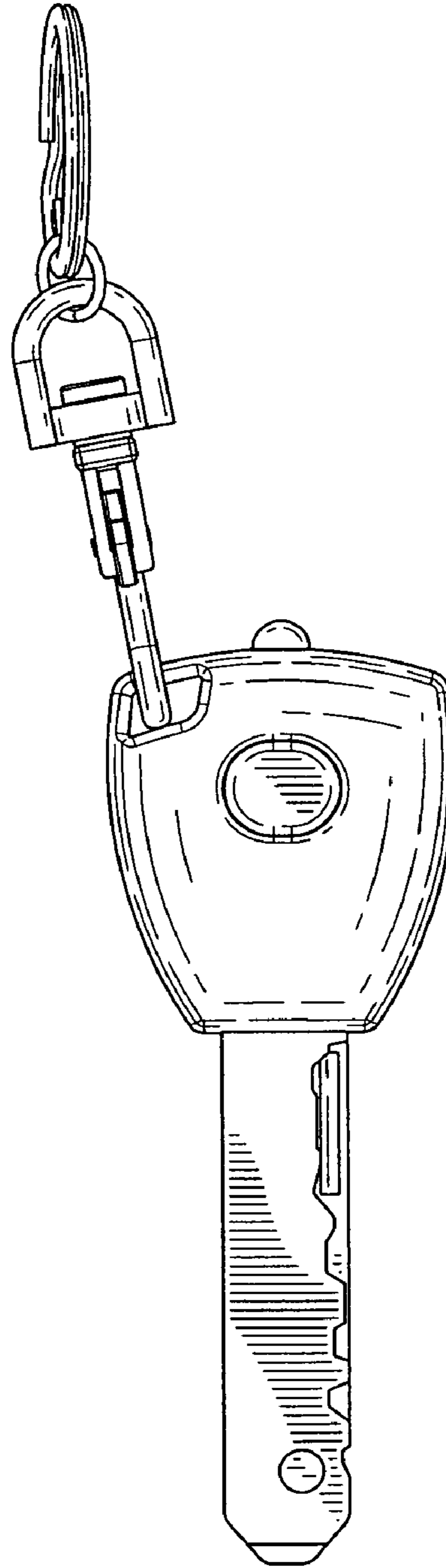


FIG-4

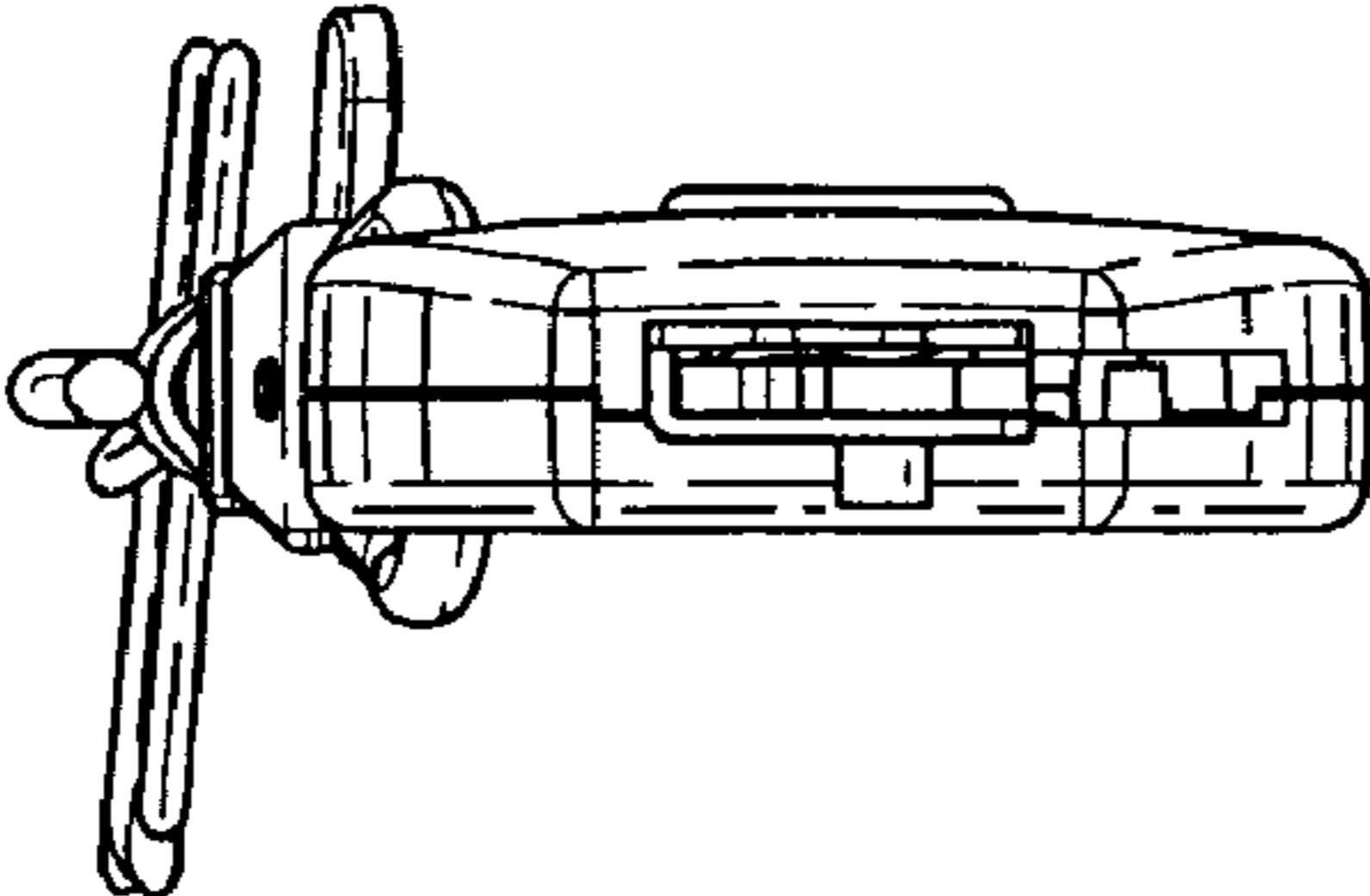


FIG-7

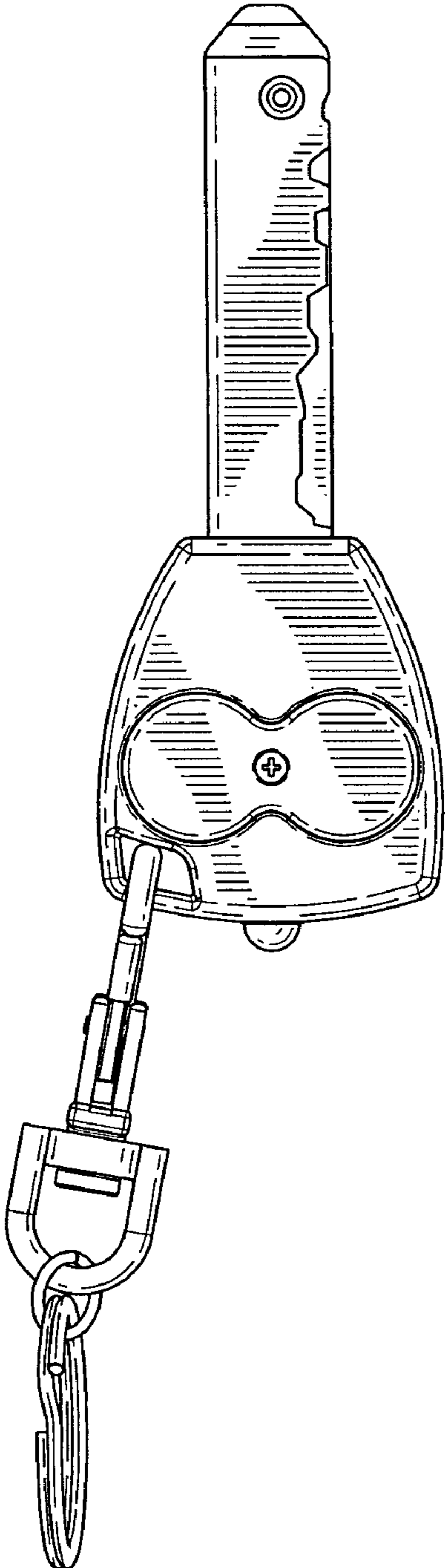


FIG-6

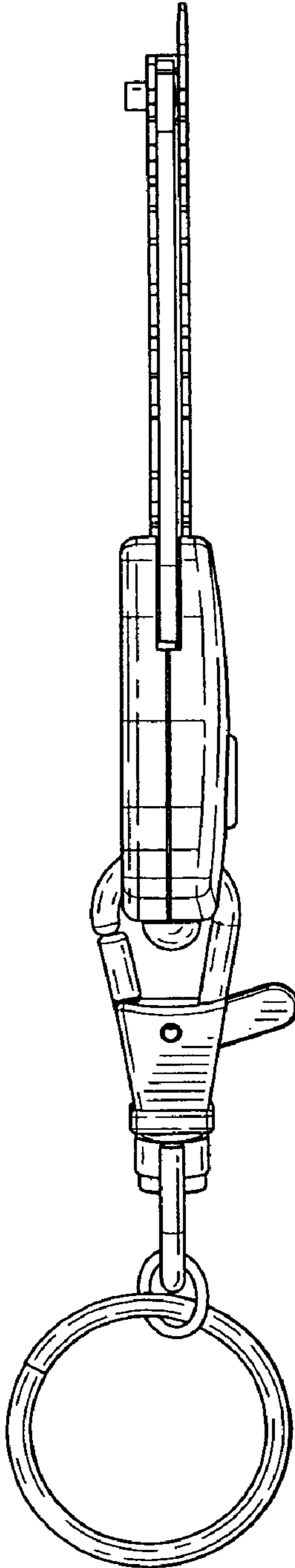


FIG-8

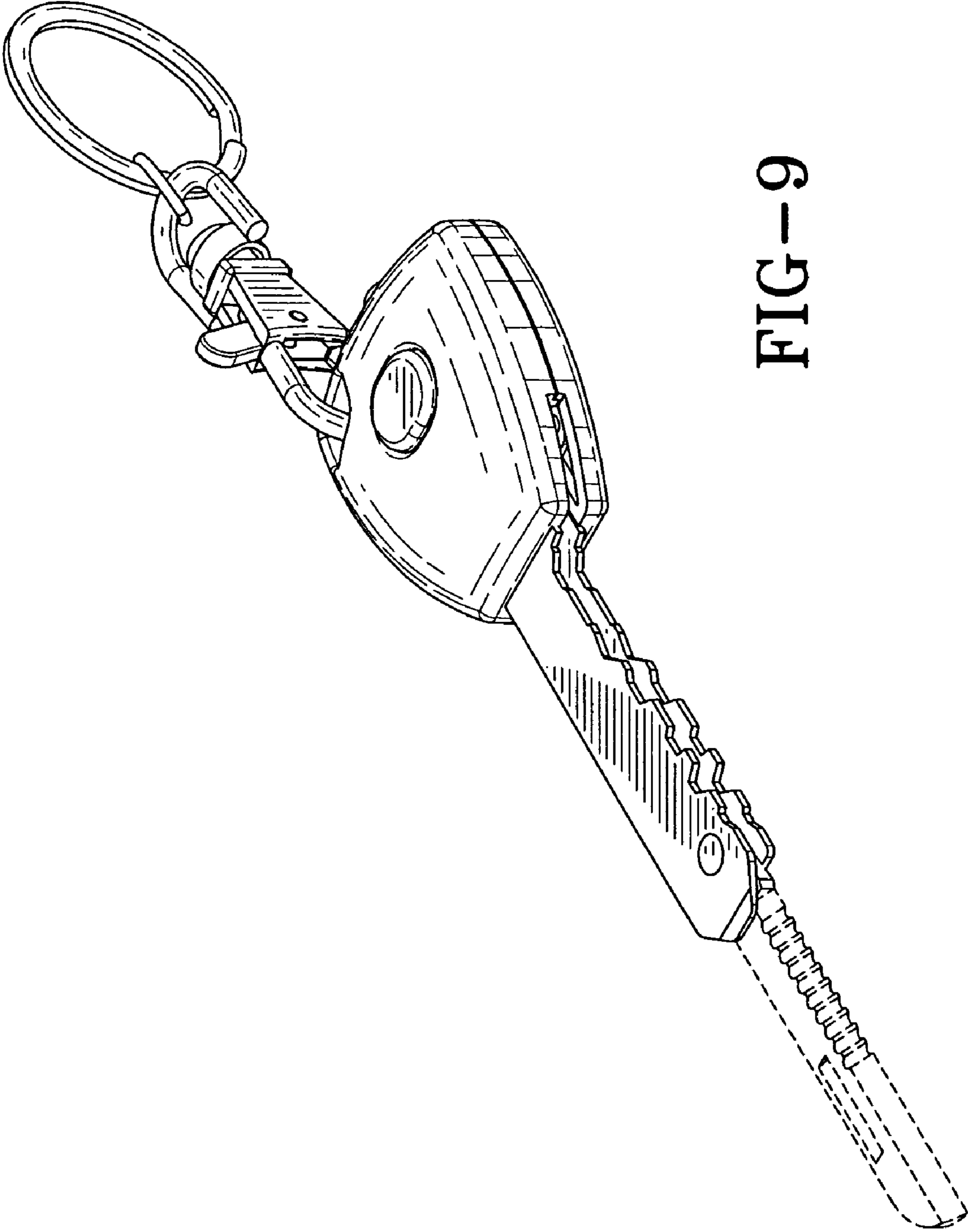


FIG-9