



US00D661083S

(12) **United States Design Patent**
Frierson

(10) **Patent No.:** **US D661,083 S**
(45) **Date of Patent:** **** Jun. 5, 2012**

- (54) **CLIPPER BOX**
- (76) Inventor: **Harvey L Frierson**, Matthews, NC (US)
- (**) Term: **14 Years**
- (21) Appl. No.: **29/399,696**
- (22) Filed: **Aug. 17, 2011**
- (51) **LOC (9) Cl.** **03-01**
- (52) **U.S. Cl.** **D3/205**
- (58) **Field of Classification Search** D3/205,
D3/218, 226, 230, 232, 243, 245, 246, 247,
D3/249, 272, 273, 275, 276, 283–285, 289,
D3/290, 299, 303, 315, 294–296, 903, 314;
206/6.1, 235, 457, 349, 373, 5, 38, 380, 579,
206/581

See application file for complete search history.

(56) **References Cited**

U.S. PATENT DOCUMENTS

D309,829 S *	8/1990	Iacovelli	D12/423
D323,062 S *	1/1992	Slater	D3/205
D373,679 S *	9/1996	Milby	D3/301
D394,749 S *	6/1998	Ford et al.	D3/295
D401,405 S *	11/1998	Kim et al.	D3/205
D402,106 S *	12/1998	Buckingham et al.	D3/284
D408,144 S *	4/1999	Lux	D3/292
D425,302 S *	5/2000	Fountain, Sr.	D3/295
D432,303 S *	10/2000	Wheat	D3/276
D443,762 S *	6/2001	Park	D3/295
D520,746 S *	5/2006	Meyer et al.	D3/284
D551,291 S	9/2007	Wagner		

D593,325 S *	6/2009	Evans	D3/313
D637,175 S *	5/2011	Terry	D14/188
7,967,136 B2 *	6/2011	Bryant, Jr.	206/351
2008/0289983 A1 *	11/2008	Barnett, Jr.	206/351
2010/0089792 A1 *	4/2010	Bryant, Jr.	206/581

* cited by examiner

Primary Examiner — Ian Simmons

Assistant Examiner — Charles Hanson

(74) *Attorney, Agent, or Firm* — F. Rhett Brockington

(57) **CLAIM**

The ornamental design for a clipper box, as shown and described.

DESCRIPTION

FIG. 1 is a front perspective view of a clipper box, showing my new design;

FIG. 2 is a front side plan view thereof;

FIG. 3 is a rear side plan view thereof;

FIG. 4 is a right side plan view thereof;

FIG. 5 is a left side plan view thereof;

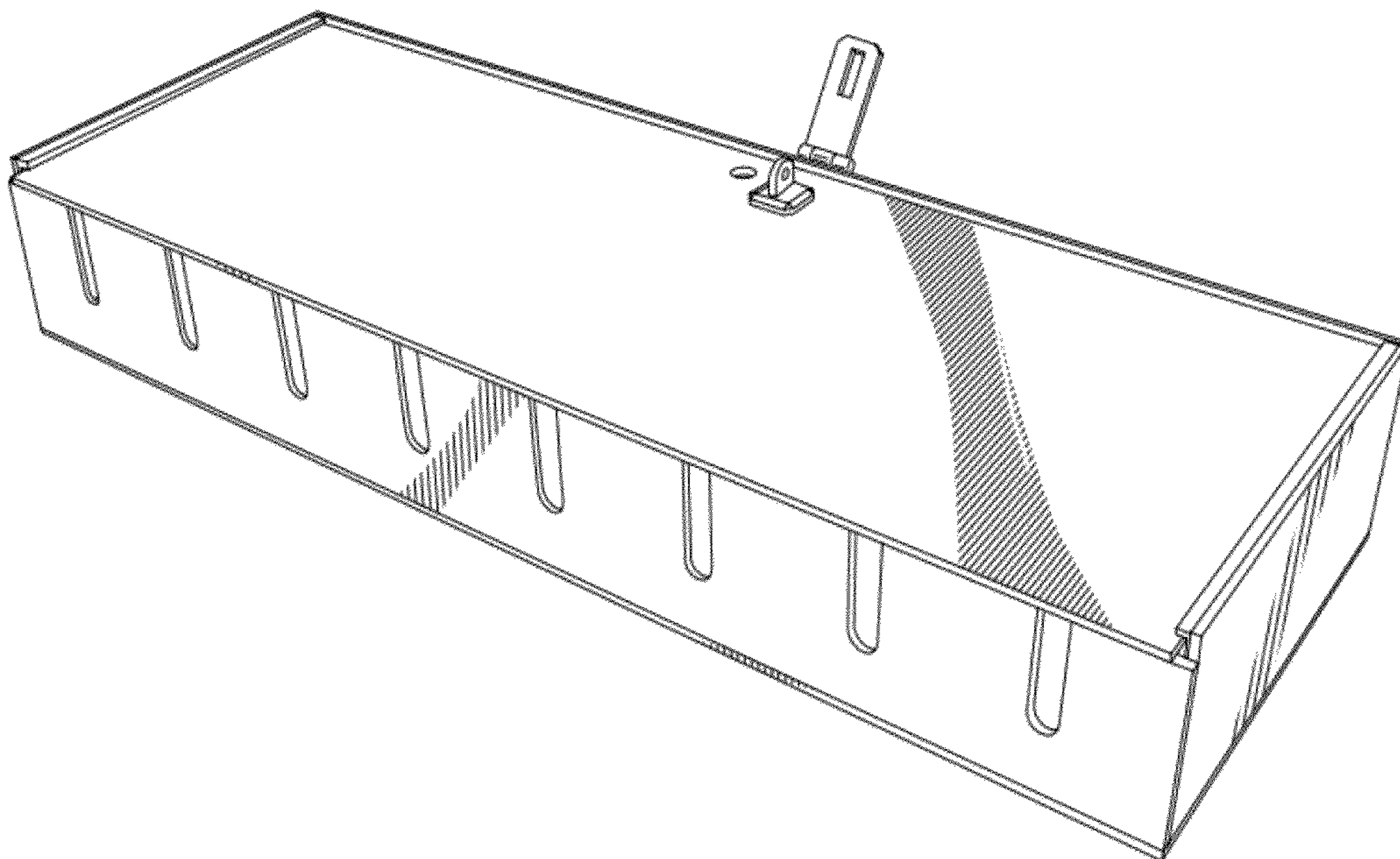
FIG. 6 is a top plan view thereof;

FIG. 7 is a bottom plan view thereof; and,

FIG. 8 is a front perspective view thereof, where the box is open.

The broken line showing of the clippers in FIG. 8 is included for the purpose of illustrating environment and forms no part of the claimed design.

1 Claim, 8 Drawing Sheets



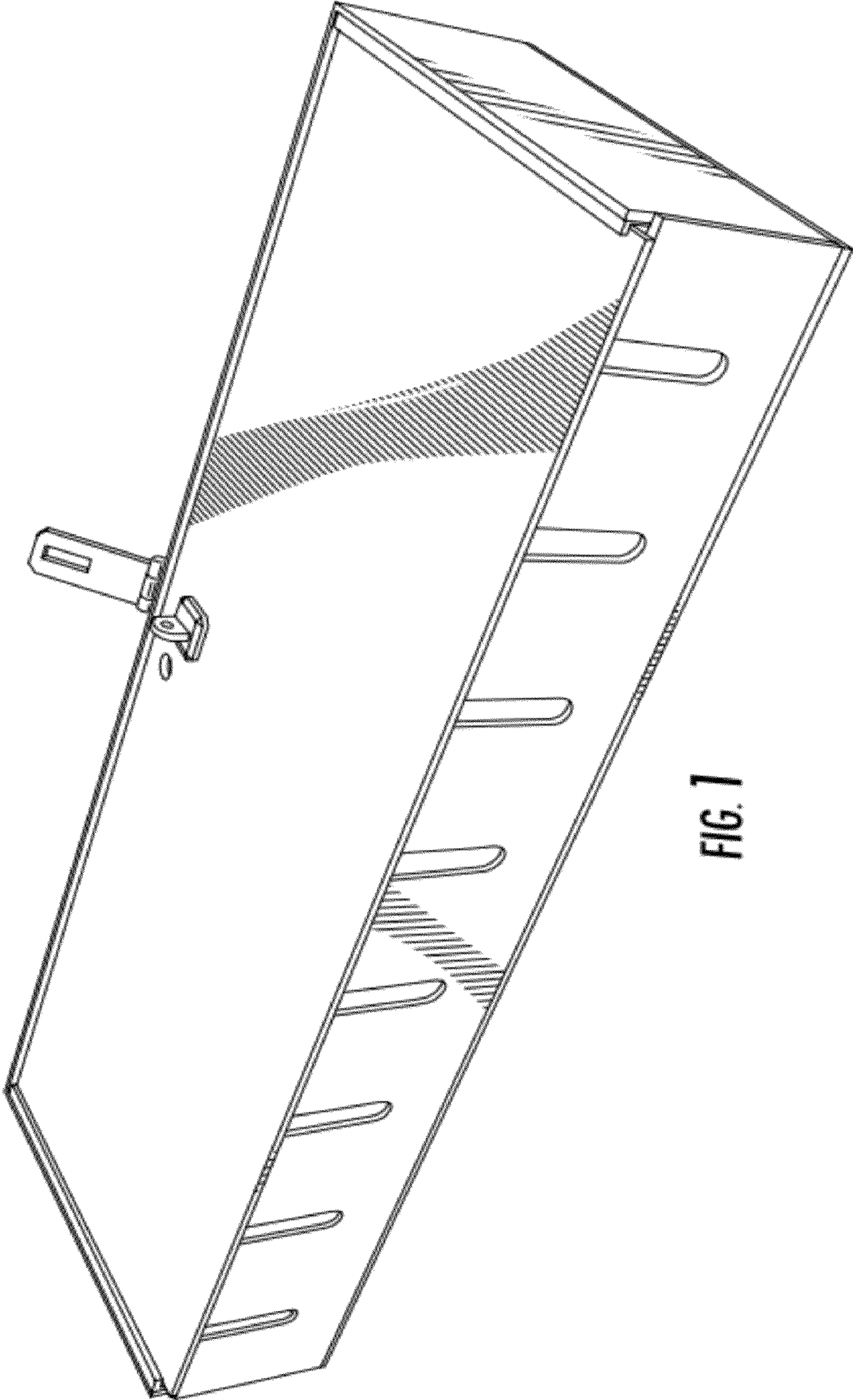


FIG. 1

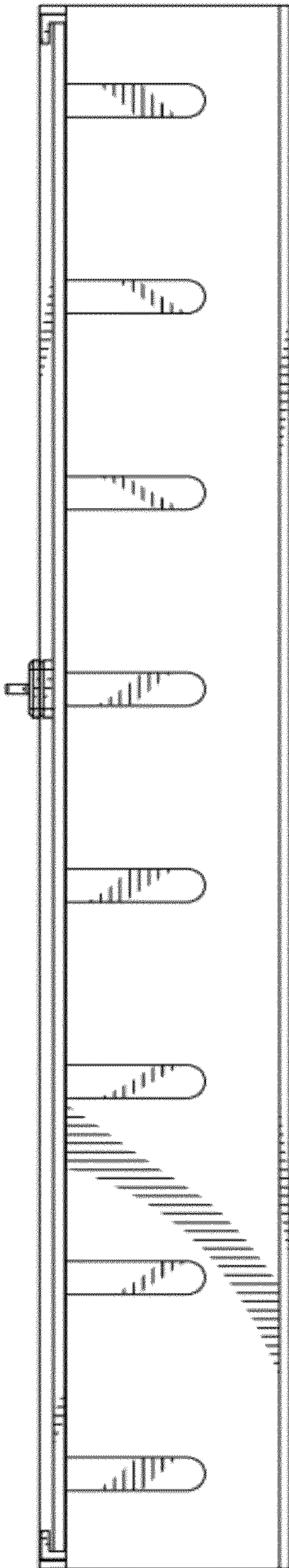


FIG. 2

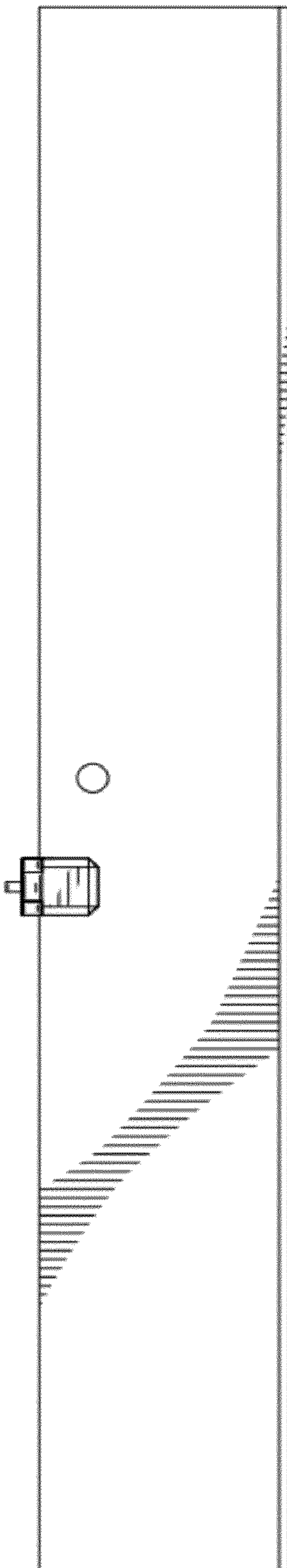


FIG. 3

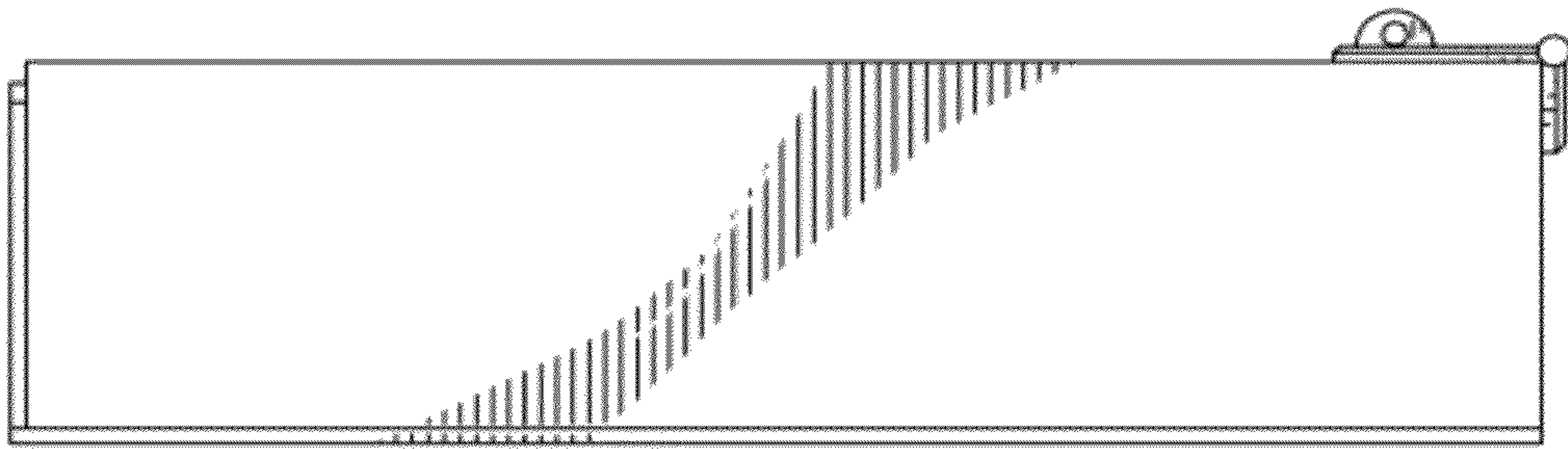


FIG. 4

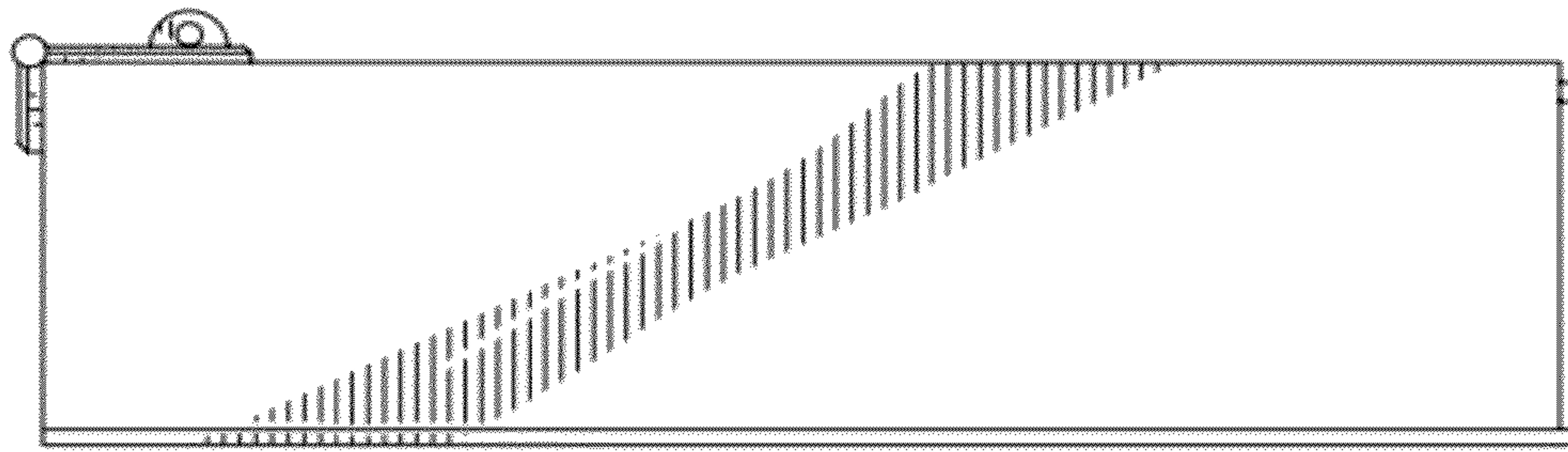


FIG. 5

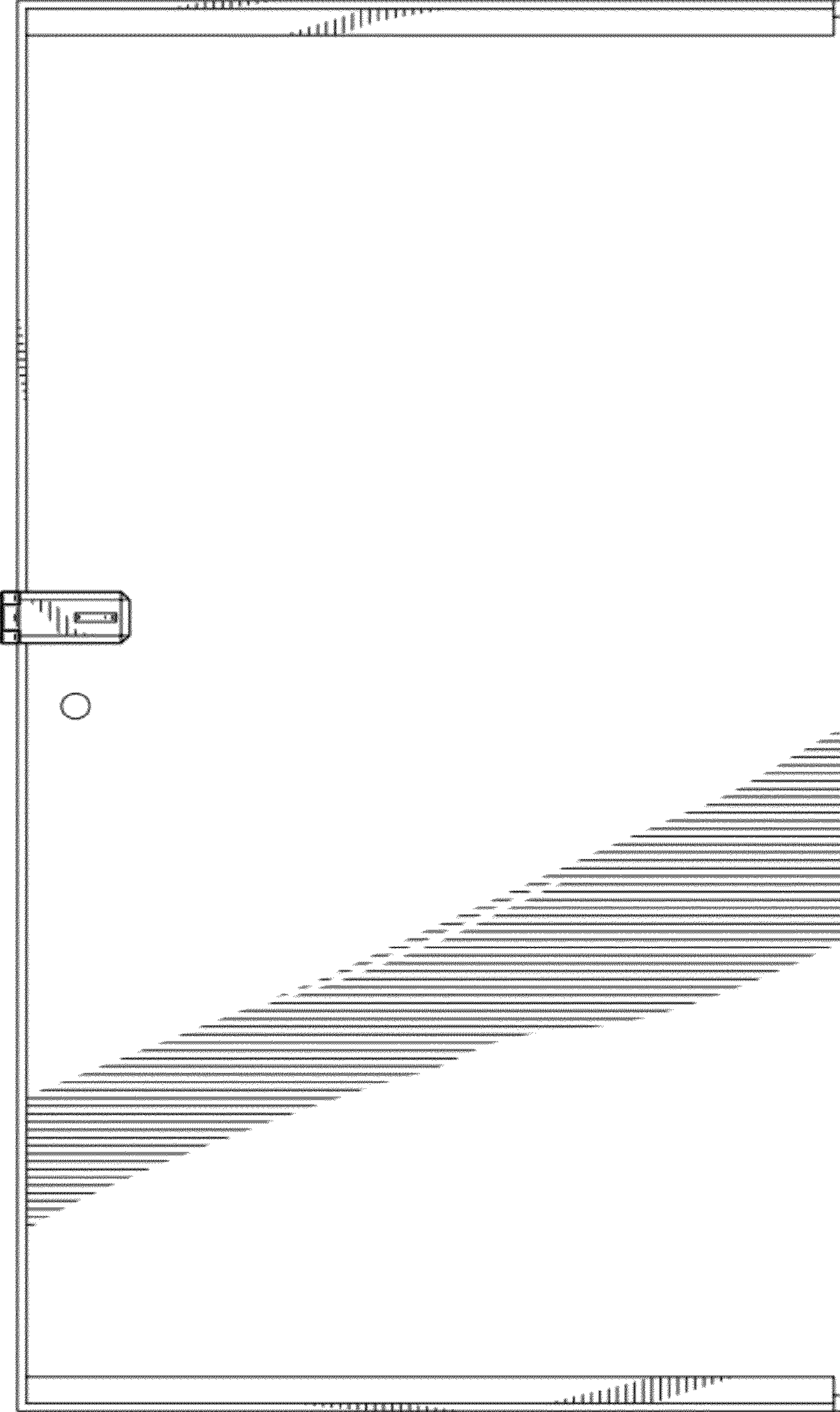


FIG. 6

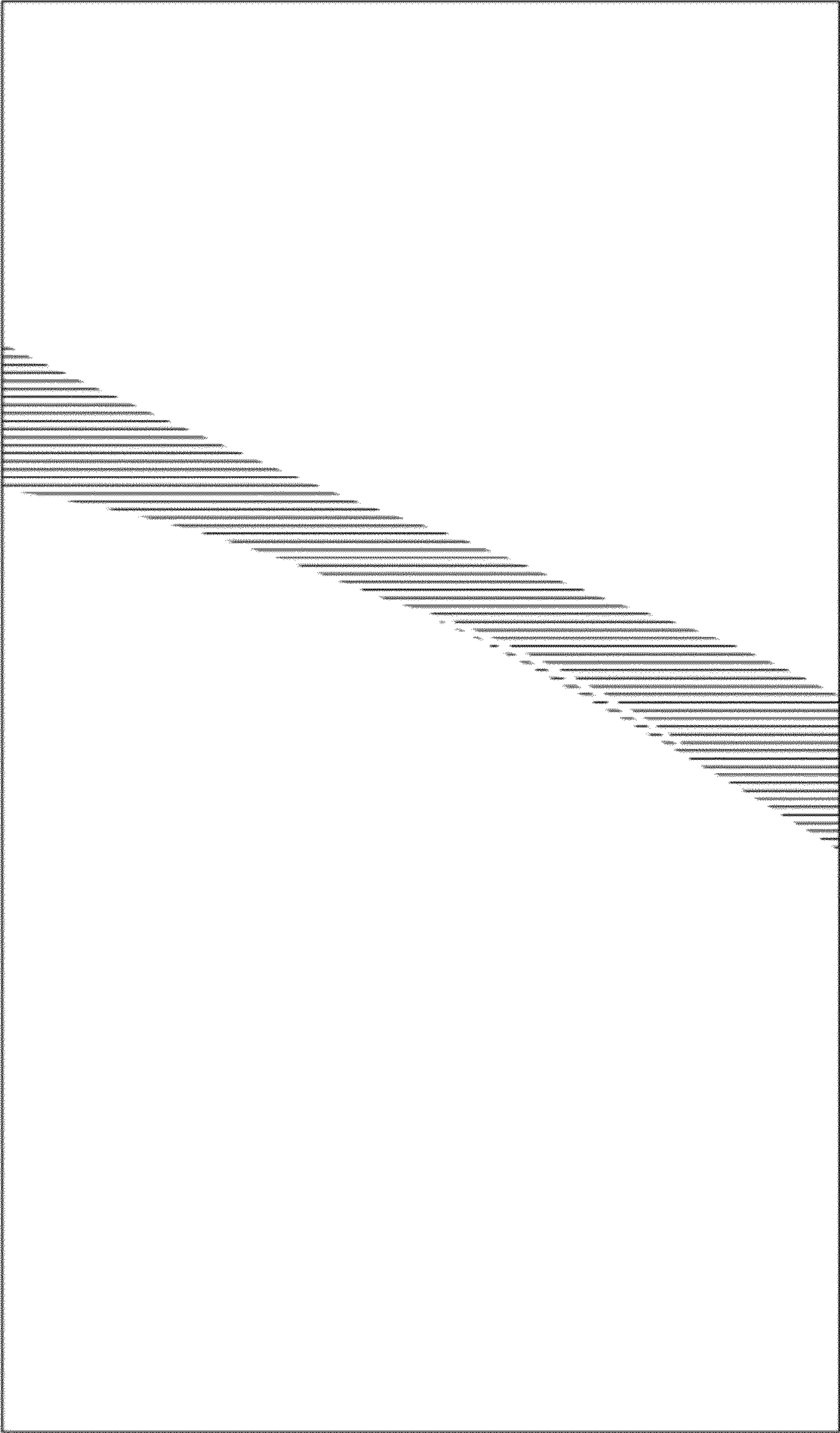


FIG. 7

