



US00D661079S

(12) **United States Design Patent**
Yang

(10) **Patent No.:** **US D661,079 S**
(45) **Date of Patent:** **** Jun. 5, 2012**

(54) **SHOE UPPER**

(75) Inventor: **Christina Yang**, Los Angeles, CA (US)

(73) Assignee: **SKECHERS U.S.A., Inc., II**, Manhattan Beach, CA (US)

(**) Term: **14 Years**

(21) Appl. No.: **29/408,339**

(22) Filed: **Dec. 9, 2011**

(51) **LOC (9) Cl.** **02-99**

(52) **U.S. Cl.** **D2/969**

(58) **Field of Classification Search** D2/896,
D2/902, 906-908, 923, 943, 944, 946, 947,
D2/951, 954, 969, 972-974; 36/45-49, 50.1,
36/77 M, 77 R, 83, 88, 113, 114, 126-131,
36/25 R-25 A

See application file for complete search history.

(56) **References Cited**

U.S. PATENT DOCUMENTS

D173,699 S	*	12/1954	Hosker	D2/907
D173,700 S	*	12/1954	Hosker	D2/907
D229,900 S	*	1/1974	Powers	D2/907
D237,425 S	*	11/1975	Askew	D2/907
D237,427 S	*	11/1975	Thornberry	D2/907
D328,516 S		8/1992	Hatfield et al.		
D332,002 S		12/1992	Hatfield et al.		
D335,207 S		5/1993	Lucas		
D336,974 S		7/1993	Hatfield		
D337,873 S		8/1993	Backus		
D341,701 S		11/1993	McDonald		
D343,722 S		2/1994	Lucas		
D343,724 S		2/1994	Smith		
D441,178 S	*	5/2001	Jannard et al.	D2/969
D561,451 S		2/2008	Belley et al.		
D563,644 S		3/2008	Matis et al.		
D564,197 S		3/2008	Matis		
D566,943 S		4/2008	Belley et al.		
D571,095 S		6/2008	Clifford		
D577,898 S		10/2008	Belley et al.		

7,552,547 B2		6/2009	Calderone		
7,624,518 B2		12/2009	Calderone		
D609,435 S		2/2010	Wolf et al.		
7,877,901 B2 *		2/2011	Calderone	36/50.1
D634,520 S *		3/2011	Choi	D2/902
D634,529 S *		3/2011	Ferreira et al.	D2/969
D634,530 S *		3/2011	Curtis et al.	D2/969
D635,344 S *		4/2011	Ferreira et al.	D2/969
D637,802 S		5/2011	Jankowski		
2008/0127525 A1		6/2008	Blunden et al.		

* cited by examiner

Primary Examiner — Dominic Simone

(74) *Attorney, Agent, or Firm* — Marshall A. Lerner; Marvin H. Kleinberg; Kleinberg & Lerner, LLP

(57) **CLAIM**

The ornamental design for a shoe upper, as shown and described.

DESCRIPTION

FIG. 1 is a perspective view of a first exemplary embodiment of a shoe upper in accordance with my new design.

FIG. 2 is a rear elevation view thereof;

FIG. 3 is a front elevation view thereof;

FIG. 4 is a left side view thereof;

FIG. 5 is a right side view thereof;

FIG. 6 is a top plan view thereof; and

FIG. 7 is a bottom plan view thereof.

FIG. 8 is a perspective view of a second exemplary embodiment of a shoe upper in accordance with my new design.

FIG. 9 is a rear elevation view thereof;

FIG. 10 is a front elevation view thereof;

FIG. 11 is a left side view thereof;

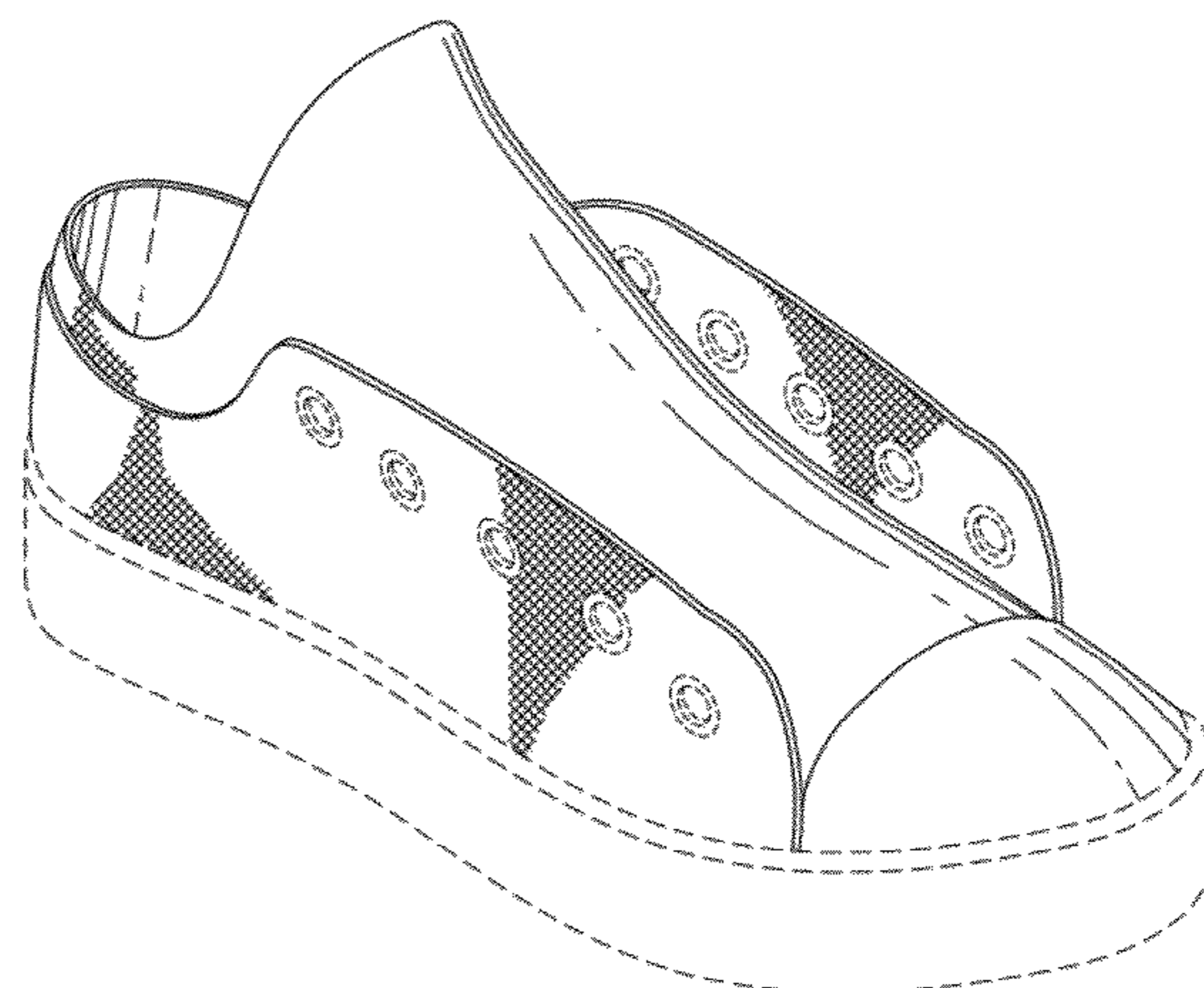
FIG. 12 is a right side view thereof;

FIG. 13 is a top plan view thereof; and,

FIG. 14 is a bottom plan view thereof.

Broken lines showing the remainder of the shoe in the figures are for illustrative purposes only and form no part of the claimed invention.

1 Claim, 6 Drawing Sheets



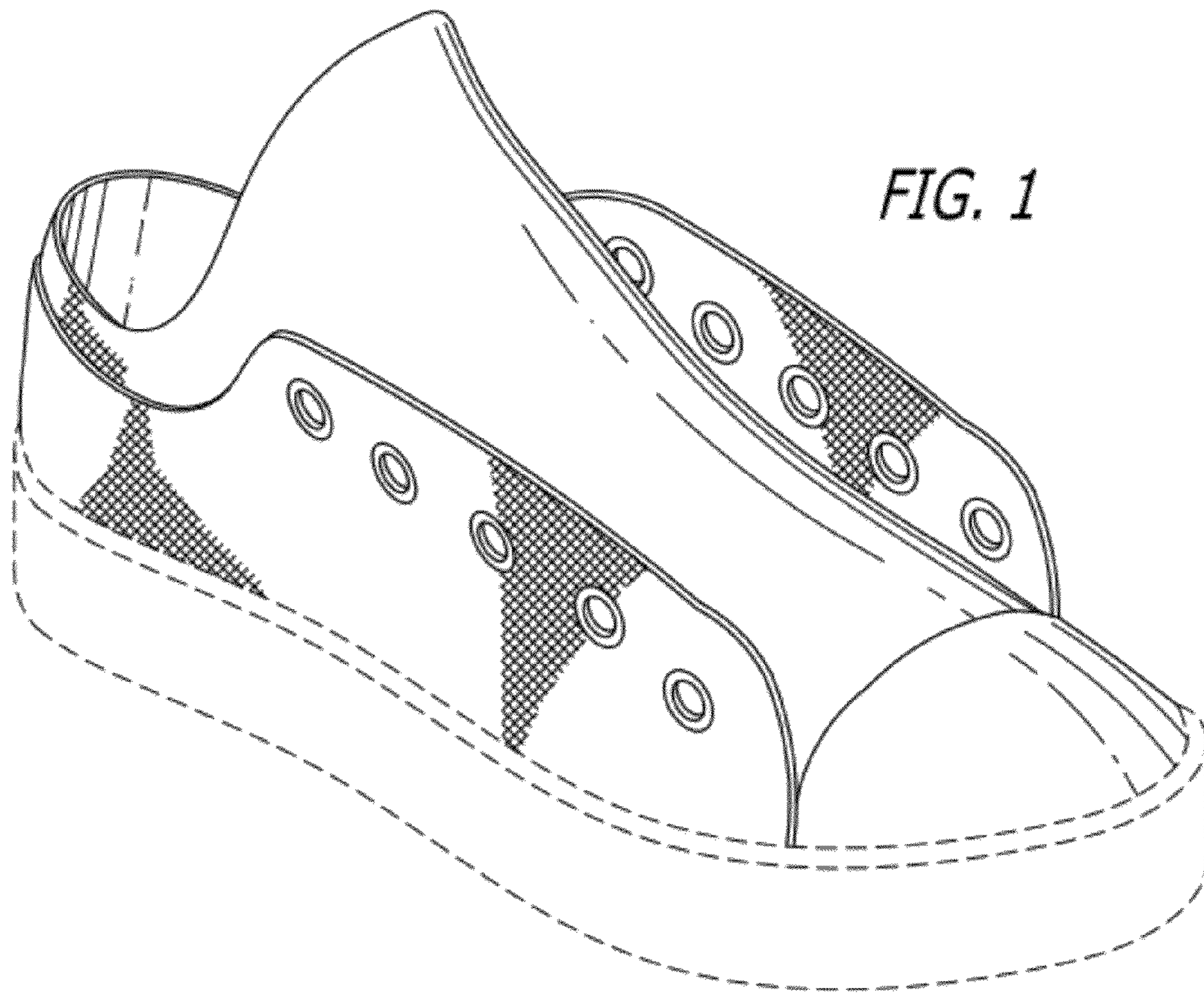


FIG. 1

FIG. 2

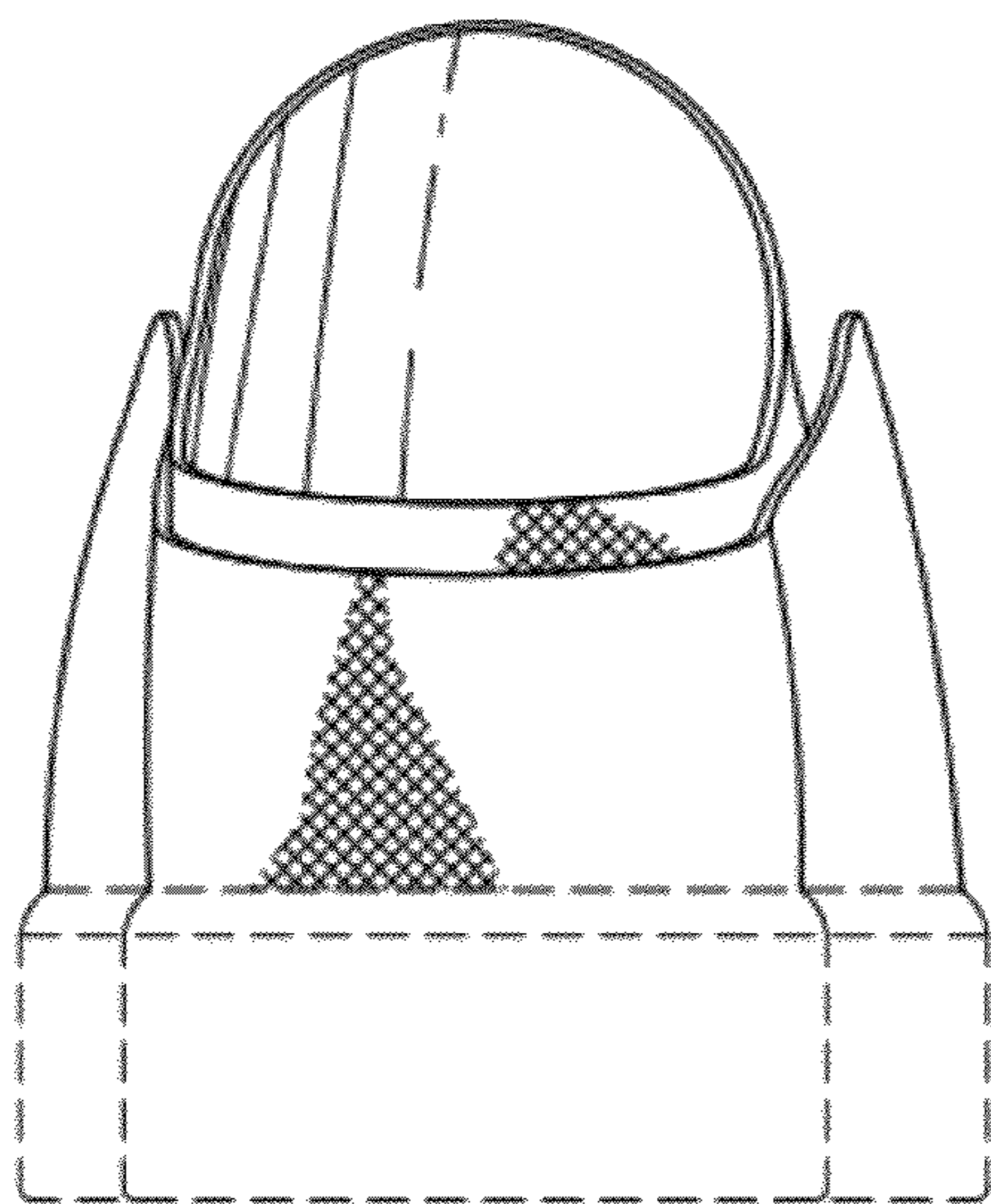
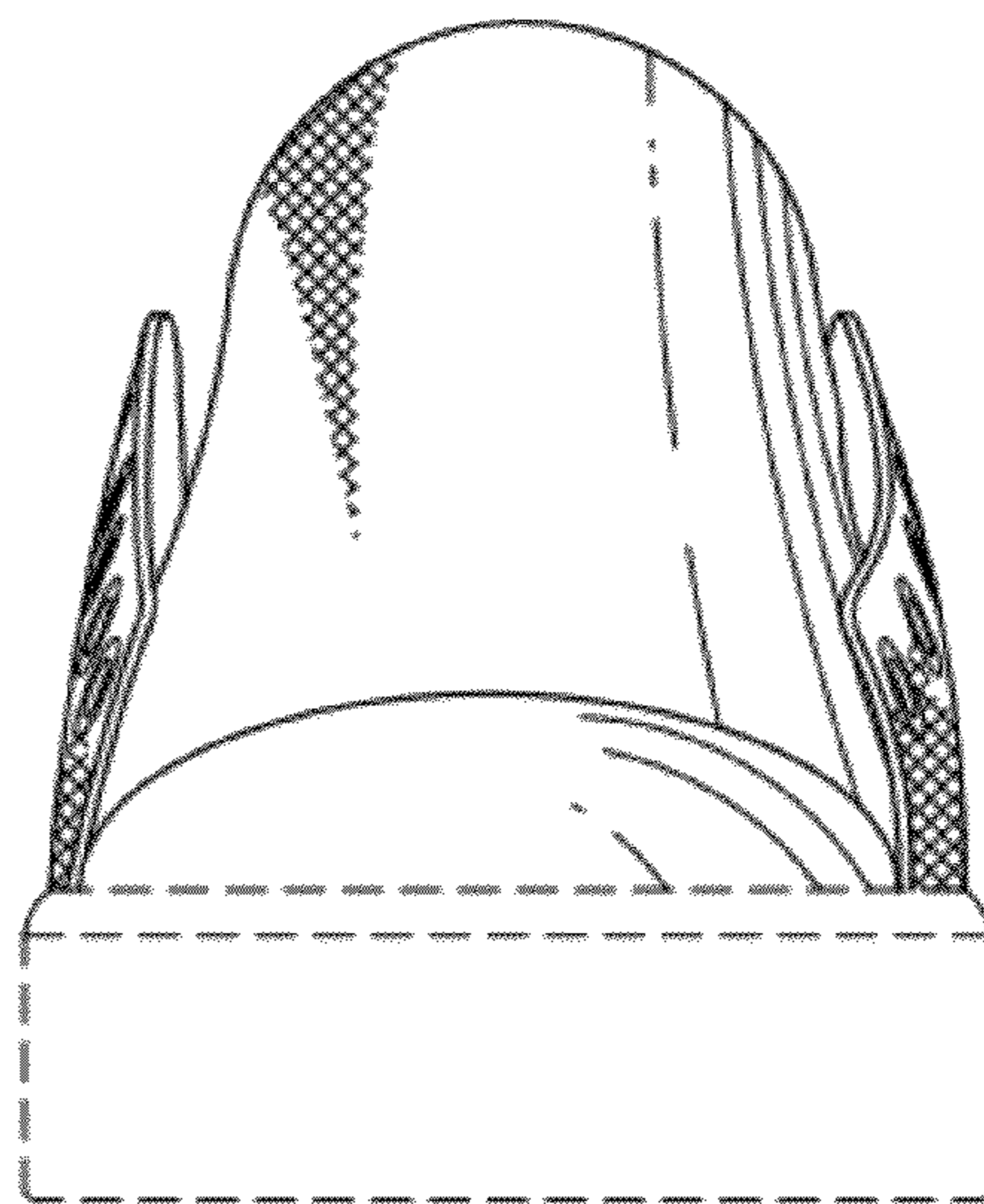


FIG. 3



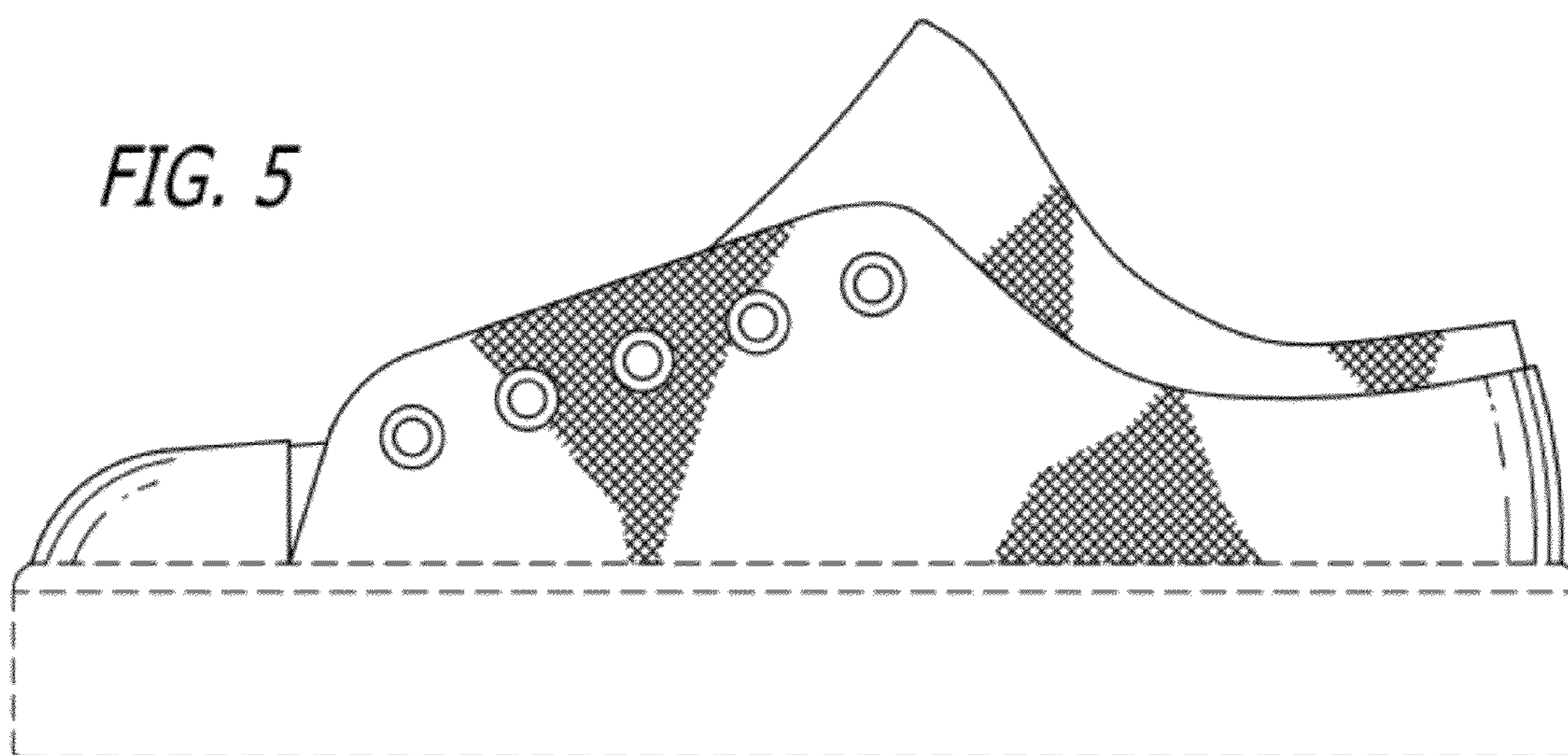
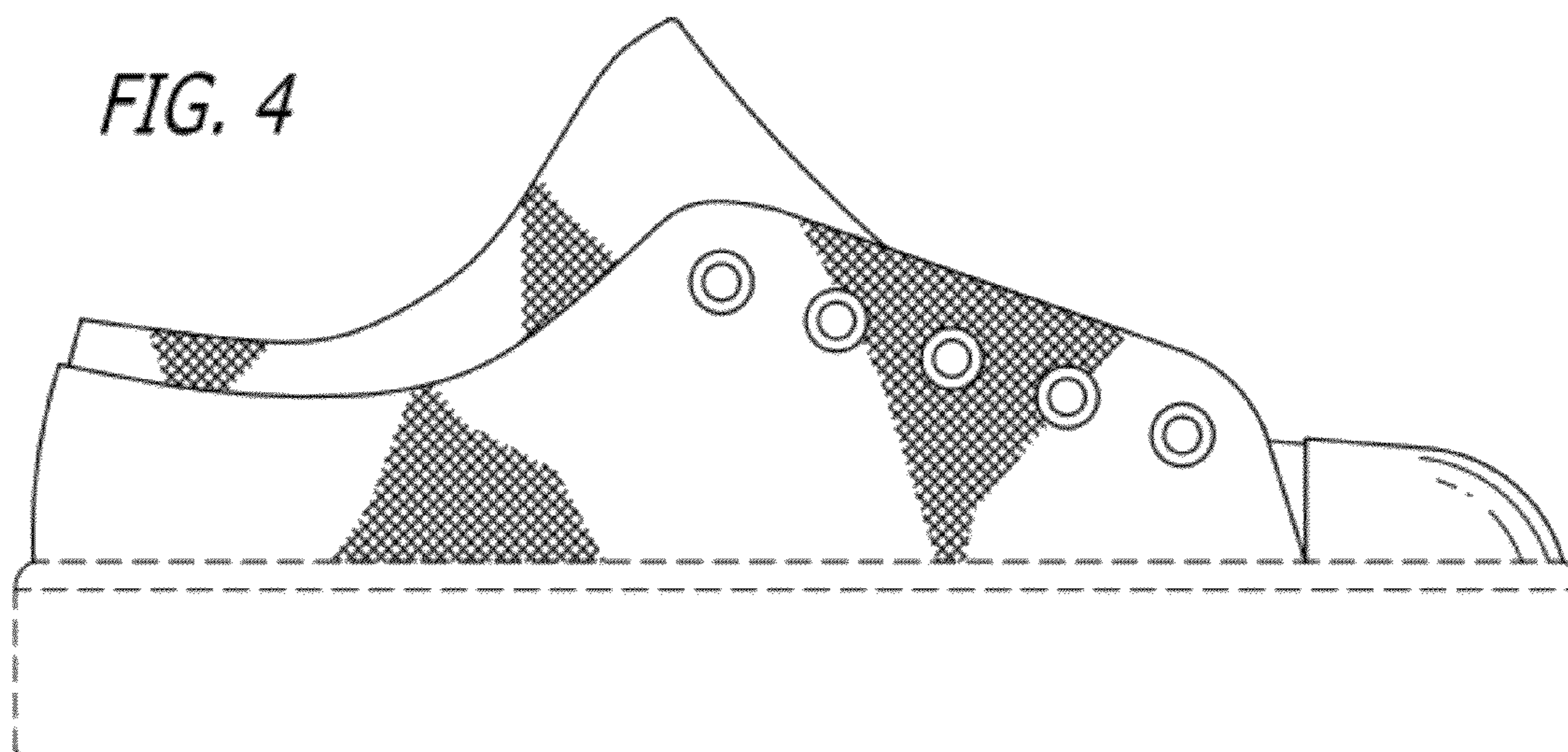


FIG. 6

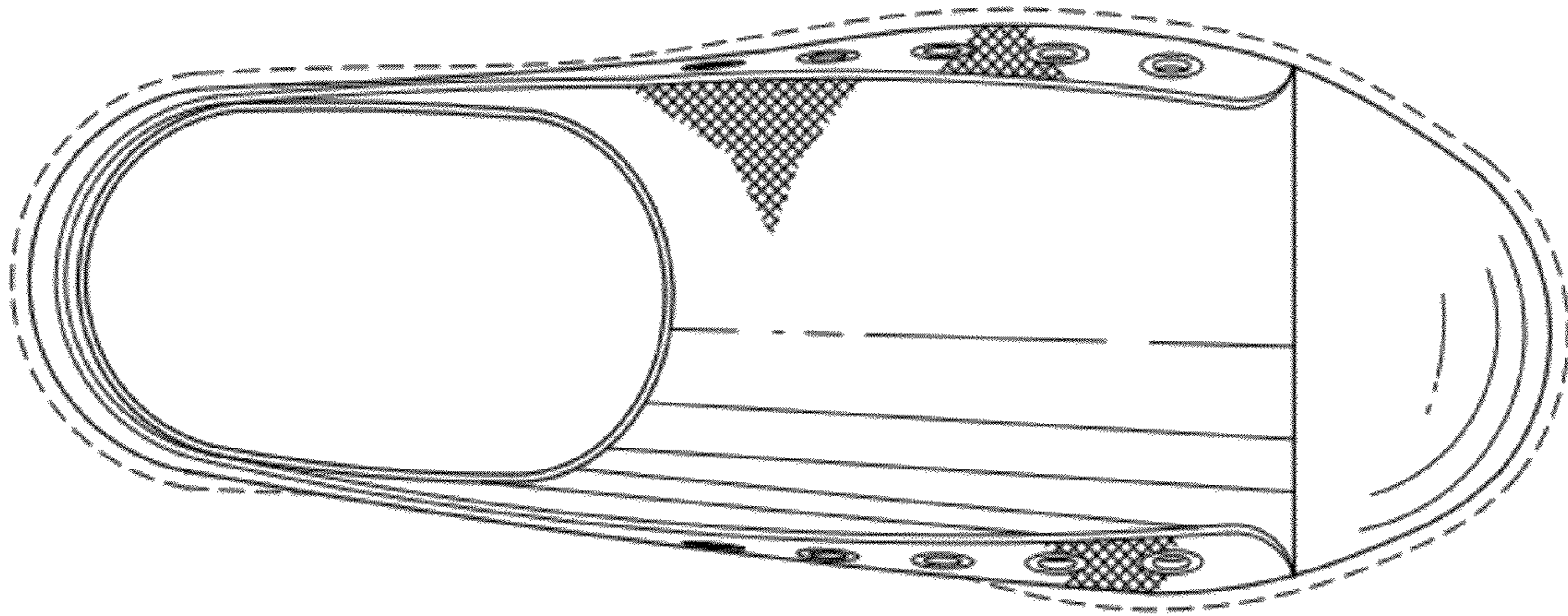
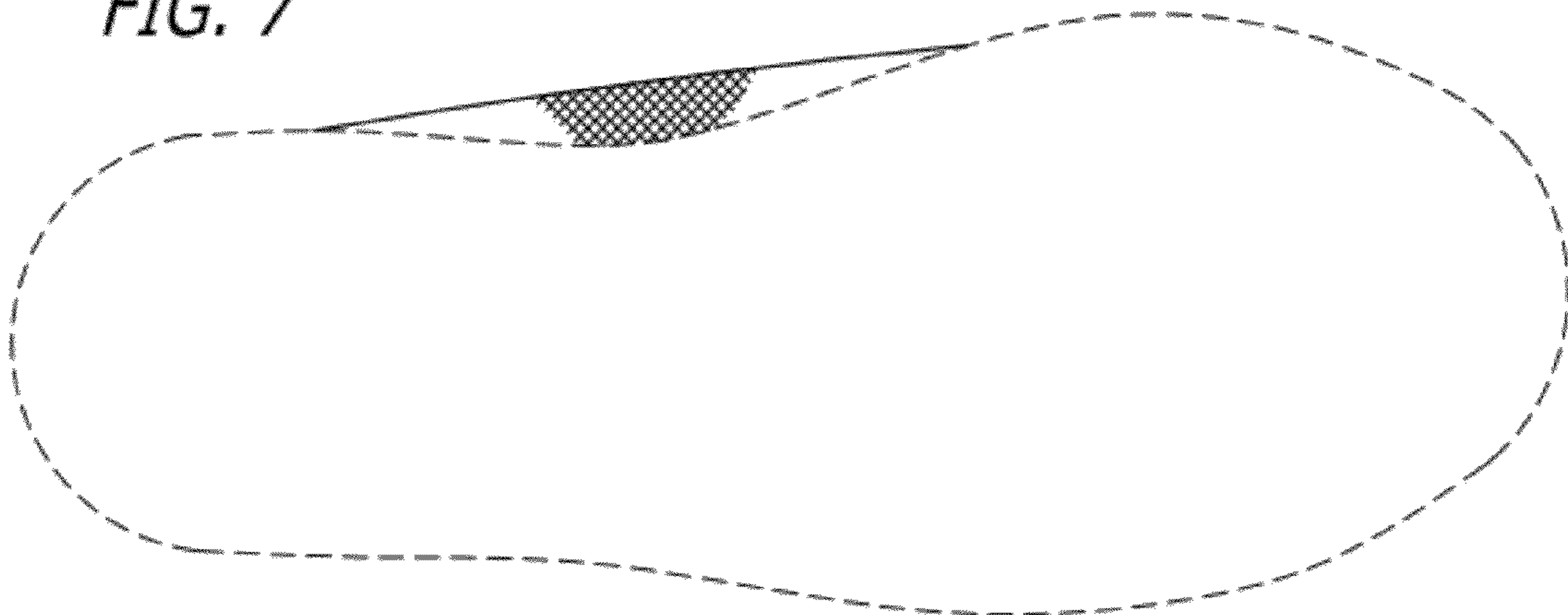


FIG. 7



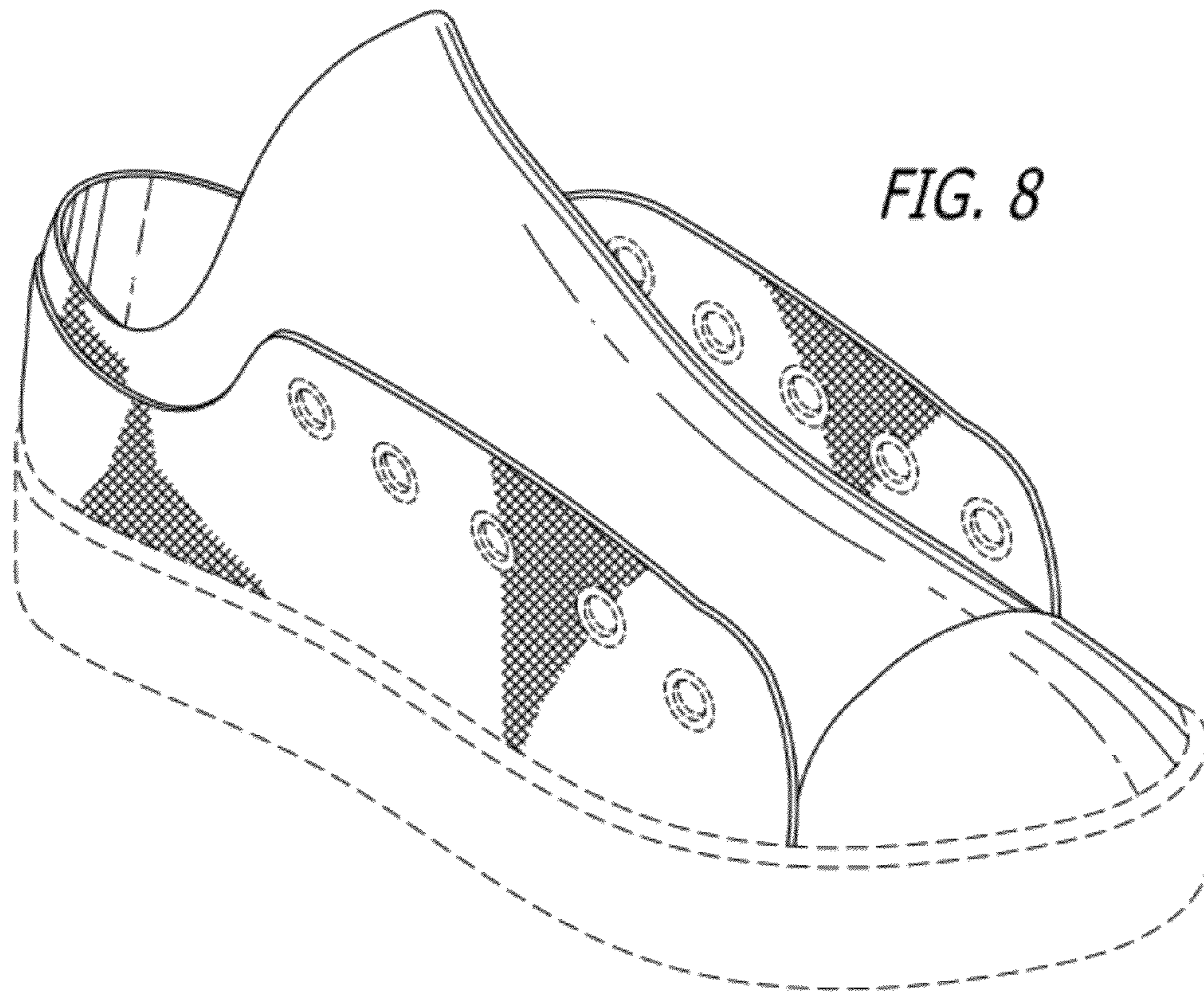


FIG. 8

FIG. 9

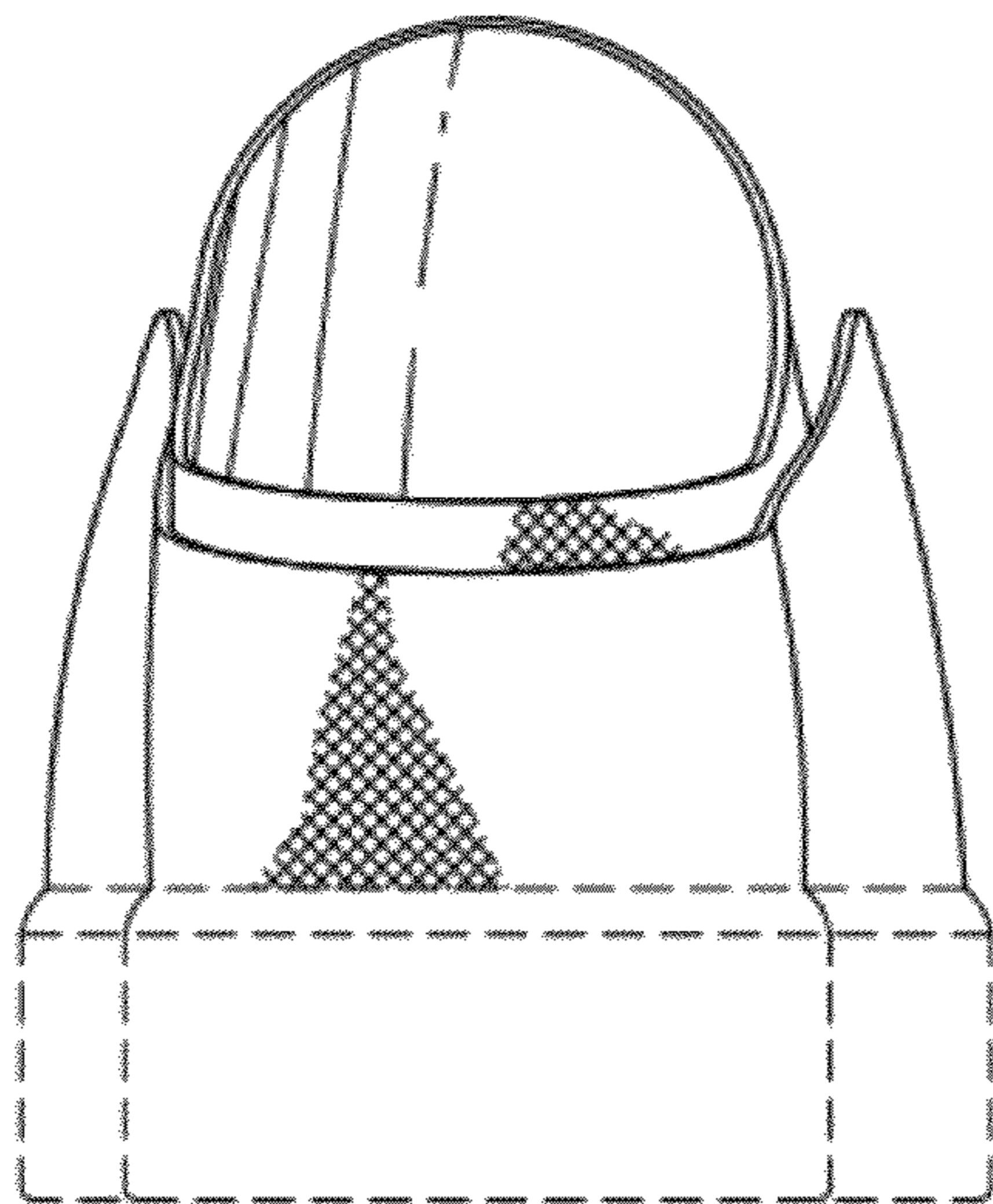


FIG. 10

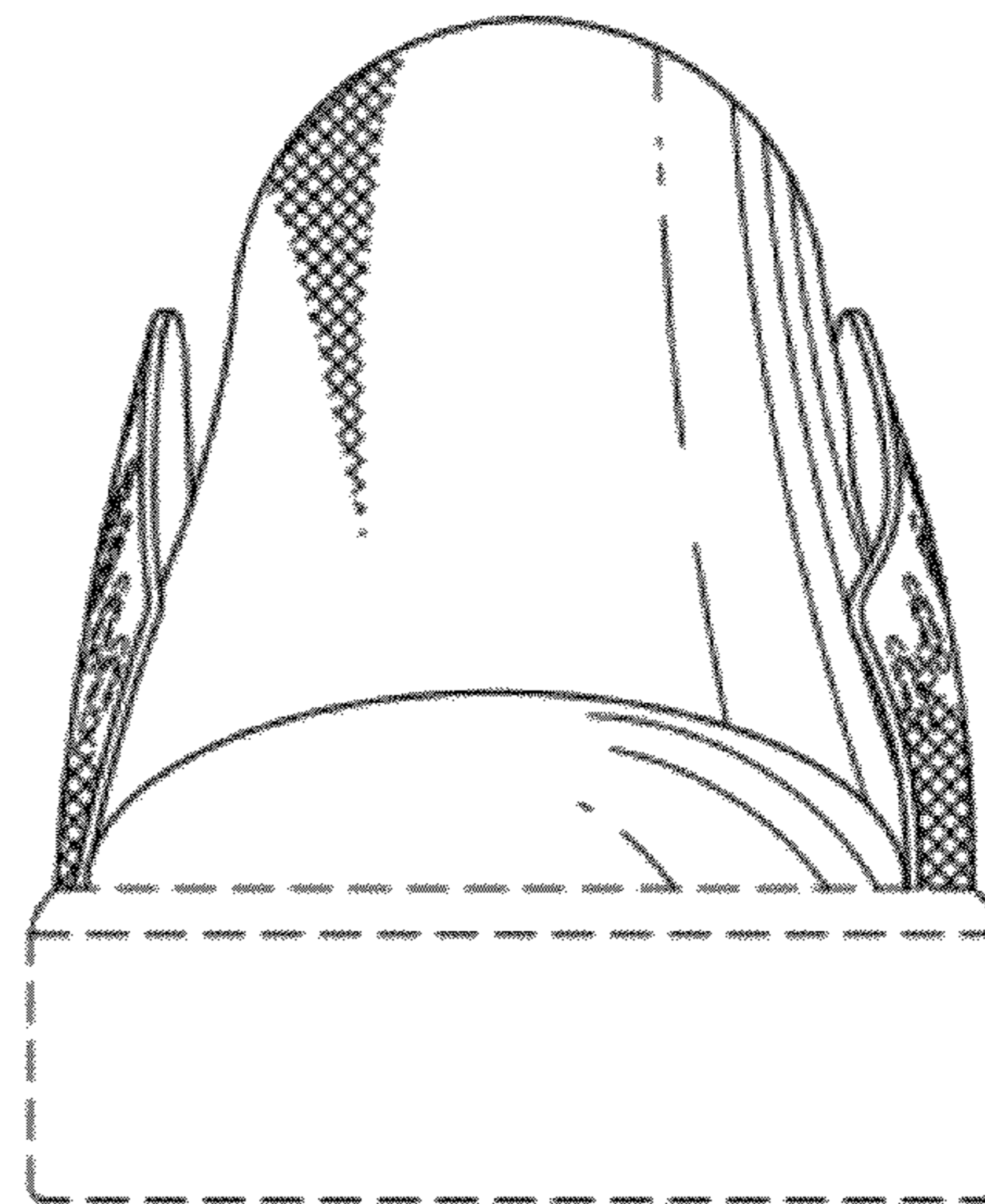


FIG. 11

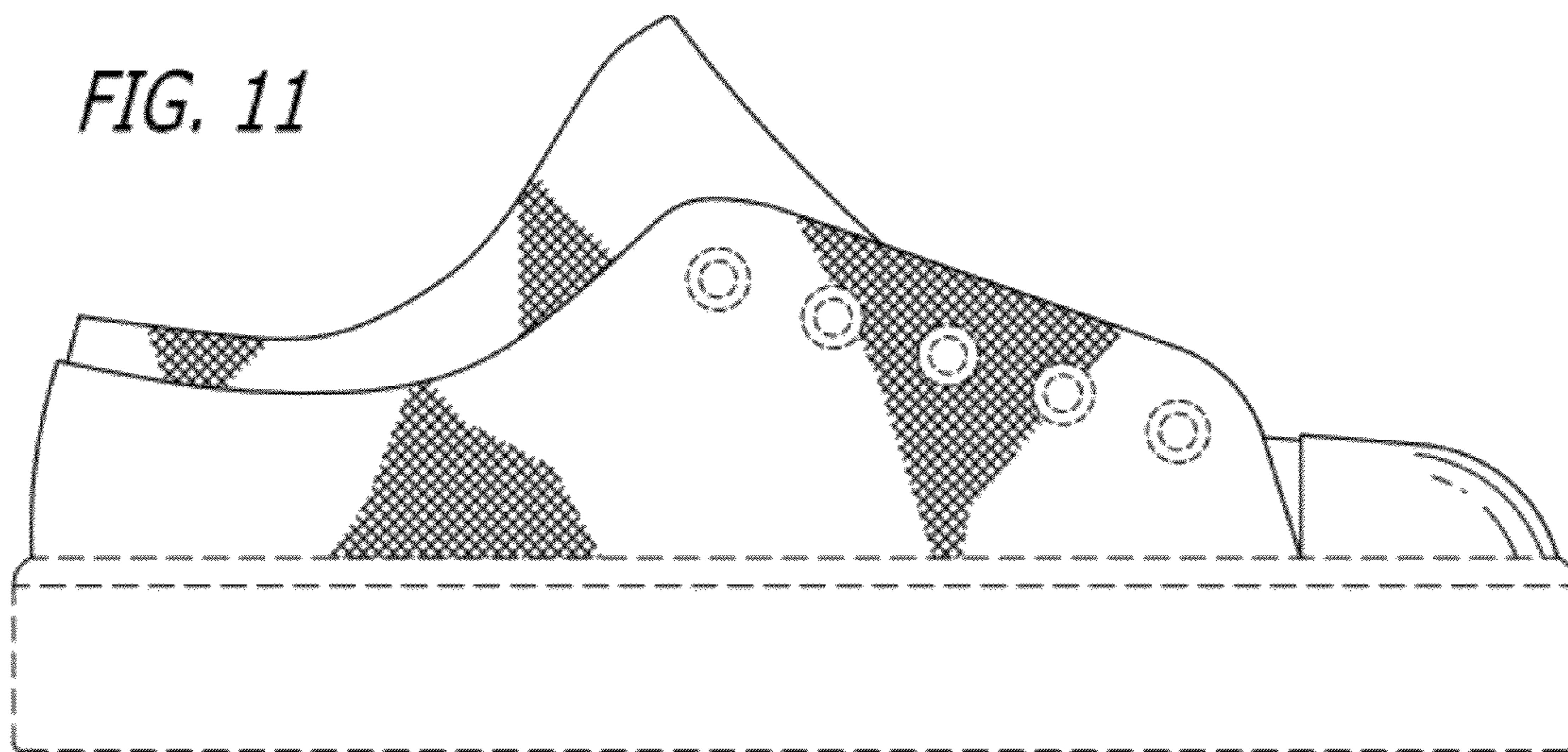


FIG. 12

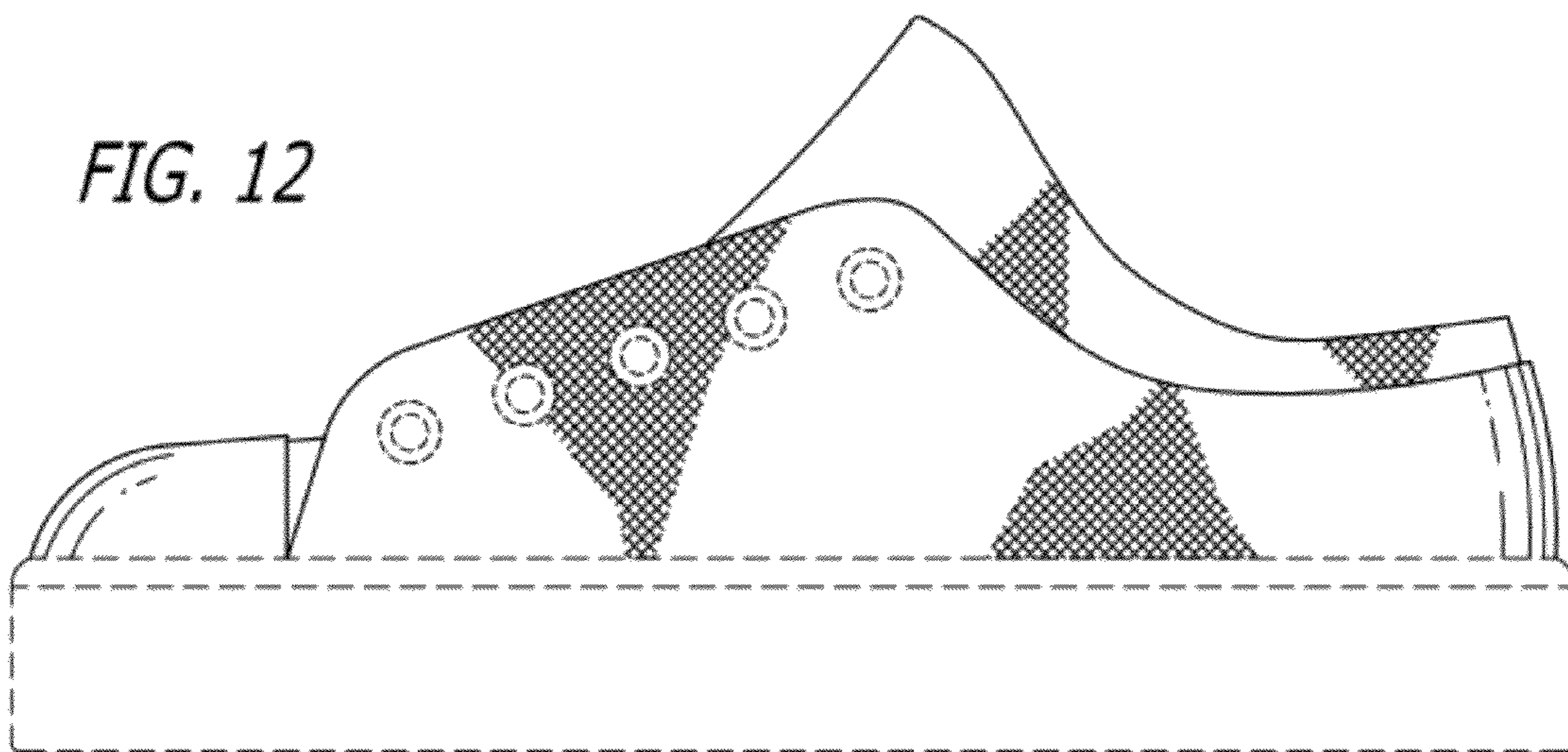


FIG. 13

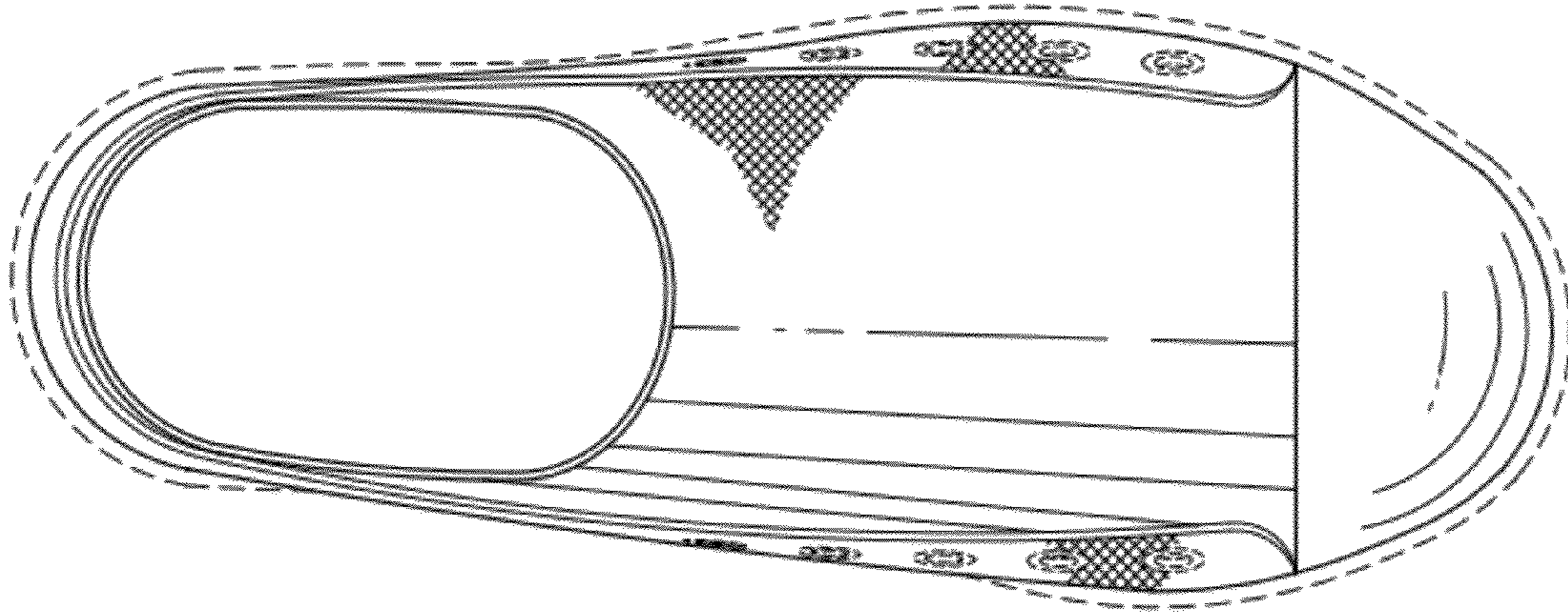


FIG. 14

