



US00D661065S

(12) **United States Design Patent**
Marcos Da Silva

(10) **Patent No.:** **US D661,065 S**
(45) **Date of Patent:** **** Jun. 5, 2012**

(54) **SANDAL**

(75) **Inventor:** **Jose Marcos Da Silva**, Sao Paulo (BR)

(73) **Assignee:** **Alpargatas S.A.**, Sao Paulo (BR)

(**) **Term:** **14 Years**

(21) **Appl. No.:** **29/408,479**

(22) **Filed:** **Dec. 13, 2011**

(30) **Foreign Application Priority Data**

Jul. 19, 2011 (EP) 001893066

(51) **LOC (9) Cl.** **02-04**

(52) **U.S. Cl.** **D2/917**

(58) **Field of Classification Search** D2/896,
D2/916-917, 946, 969, 971, 978; 36/112,
36/45, 3 R, 3 A, 7.7, 7.5, 11.5, 58.5
See application file for complete search history.

(56) **References Cited**

U.S. PATENT DOCUMENTS

D181,542 S * 11/1957 Fukuoka D2/917
D187,781 S * 5/1960 Kiyochi D2/917

3,290,802 A * 12/1966 Fukuoka 36/11.5
D352,382 S * 11/1994 Chuang D2/917
D487,183 S * 3/2004 Cumeau D2/917
D489,517 S * 5/2004 Comeau D2/917
D594,218 S * 6/2009 Schwartz D2/971
D599,985 S * 9/2009 Schwartz D2/917

* cited by examiner

Primary Examiner — Robert M Spear

Assistant Examiner — Rashida C McCoy

(74) *Attorney, Agent, or Firm* — R. Blake Johnston, Esq.;
DLA Piper US LLP

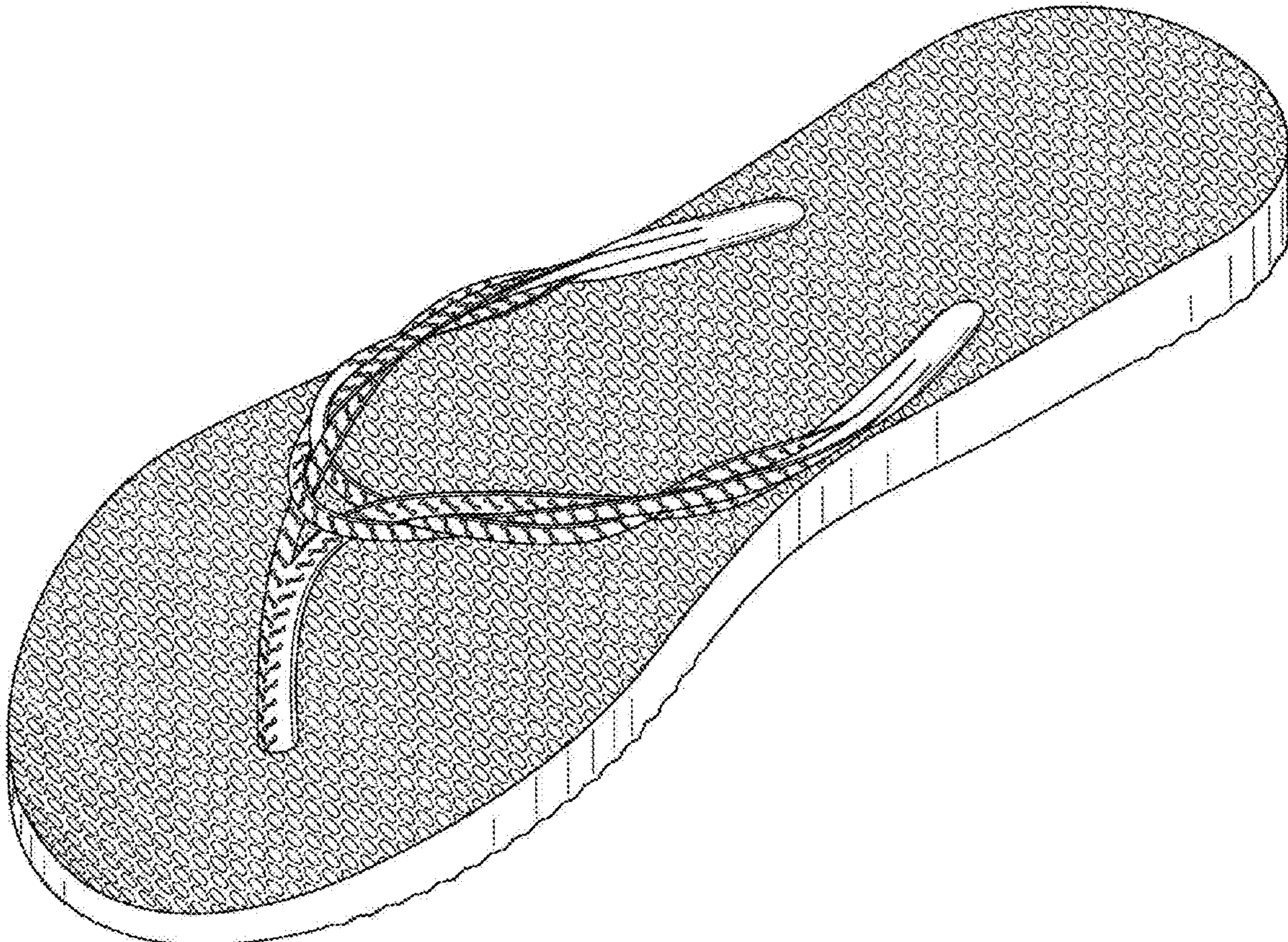
(57) **CLAIM**

The ornamental design for a sandal, as shown and described.

DESCRIPTION

FIG. 1 is a perspective view of the sandal;
FIG. 2 is a front elevational view of the sandal;
FIG. 3 is a rear elevational view of the sandal;
FIG. 4 is a left side elevational view of the sandal;
FIG. 5 is a right side elevational view of the sandal;
FIG. 6 is a top plan view of the sandal; and,
FIG. 7 is a bottom plan view of the sandal.

1 Claim, 4 Drawing Sheets



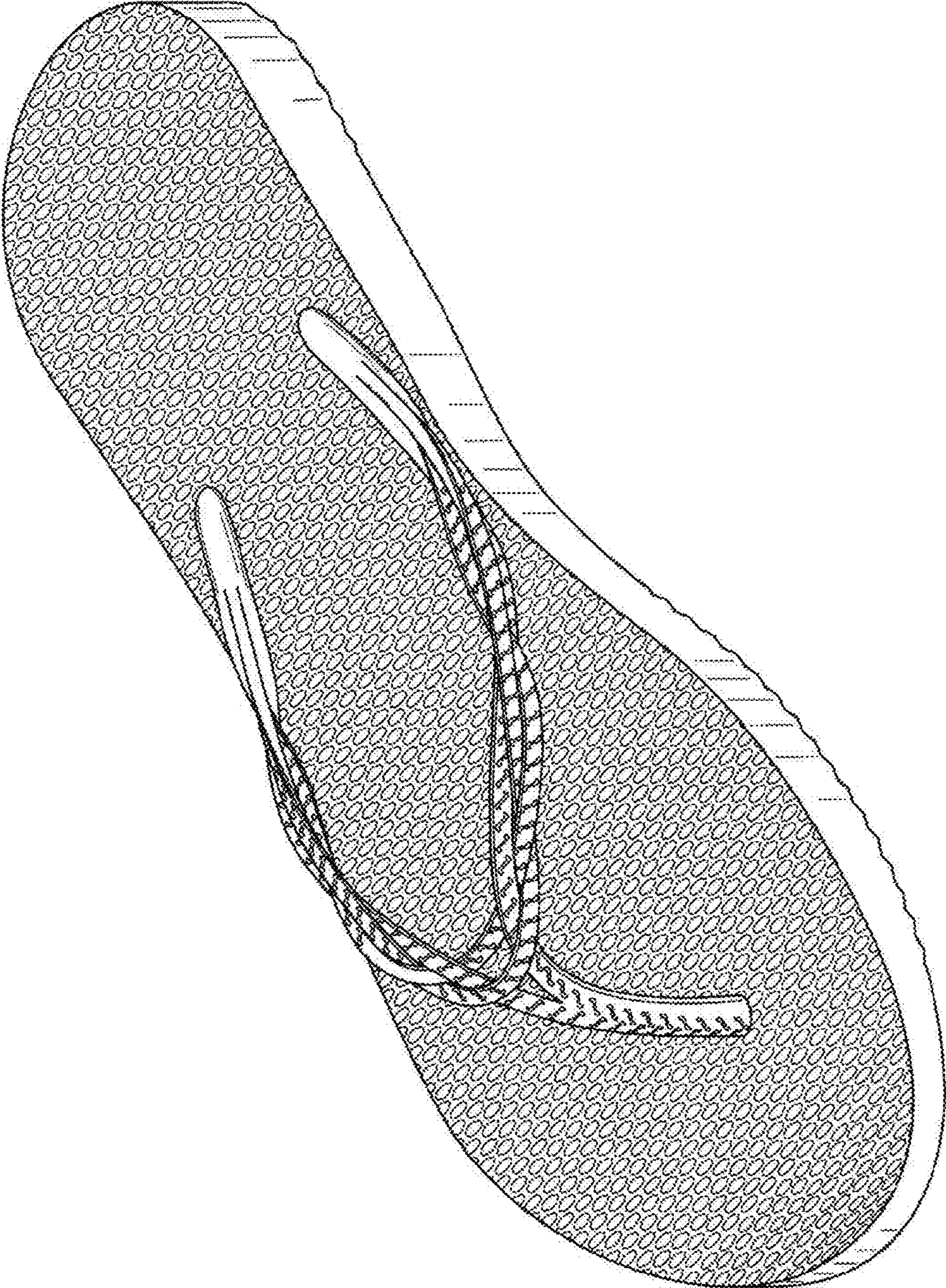


FIG. 1

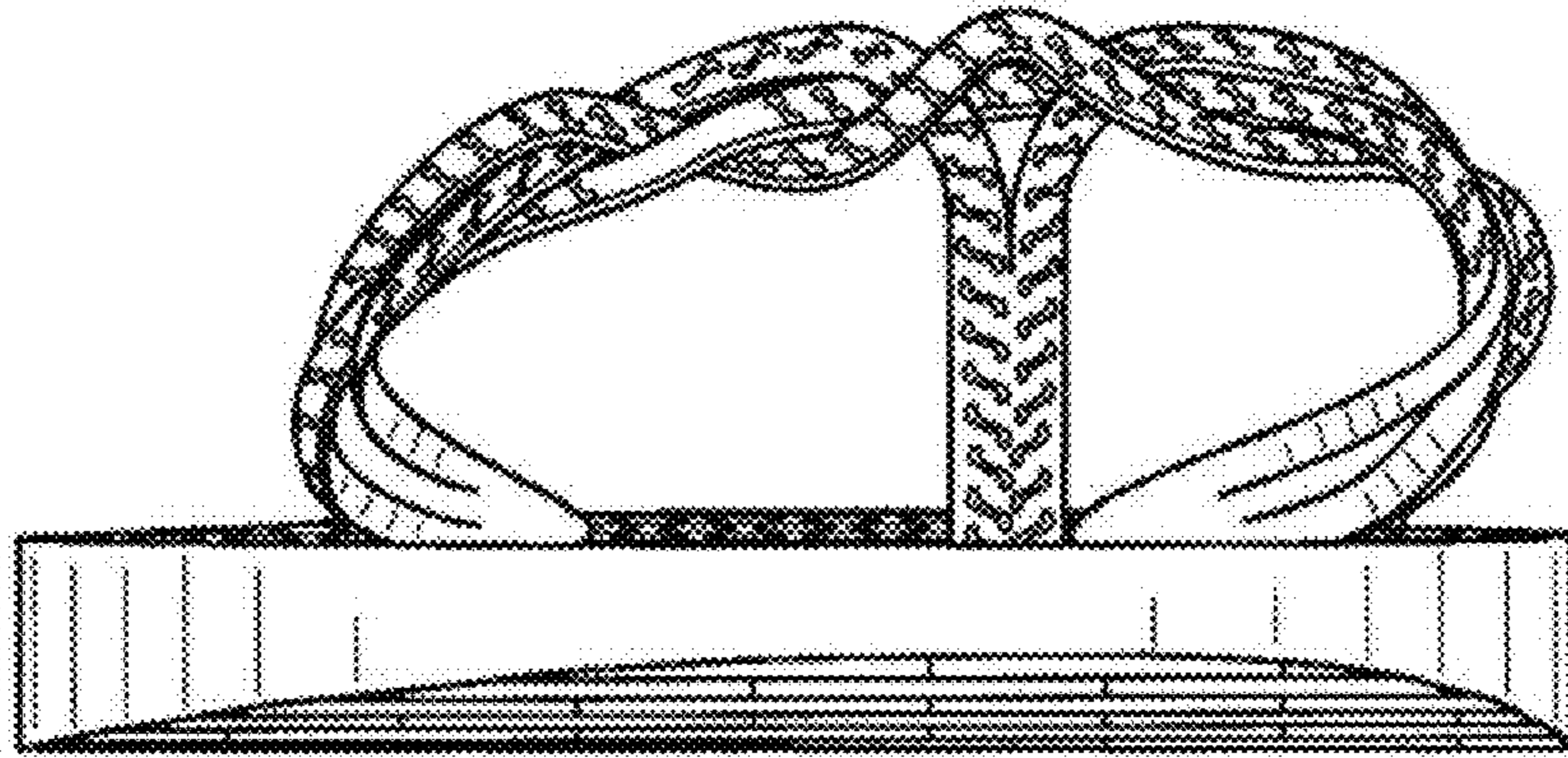


FIG. 2

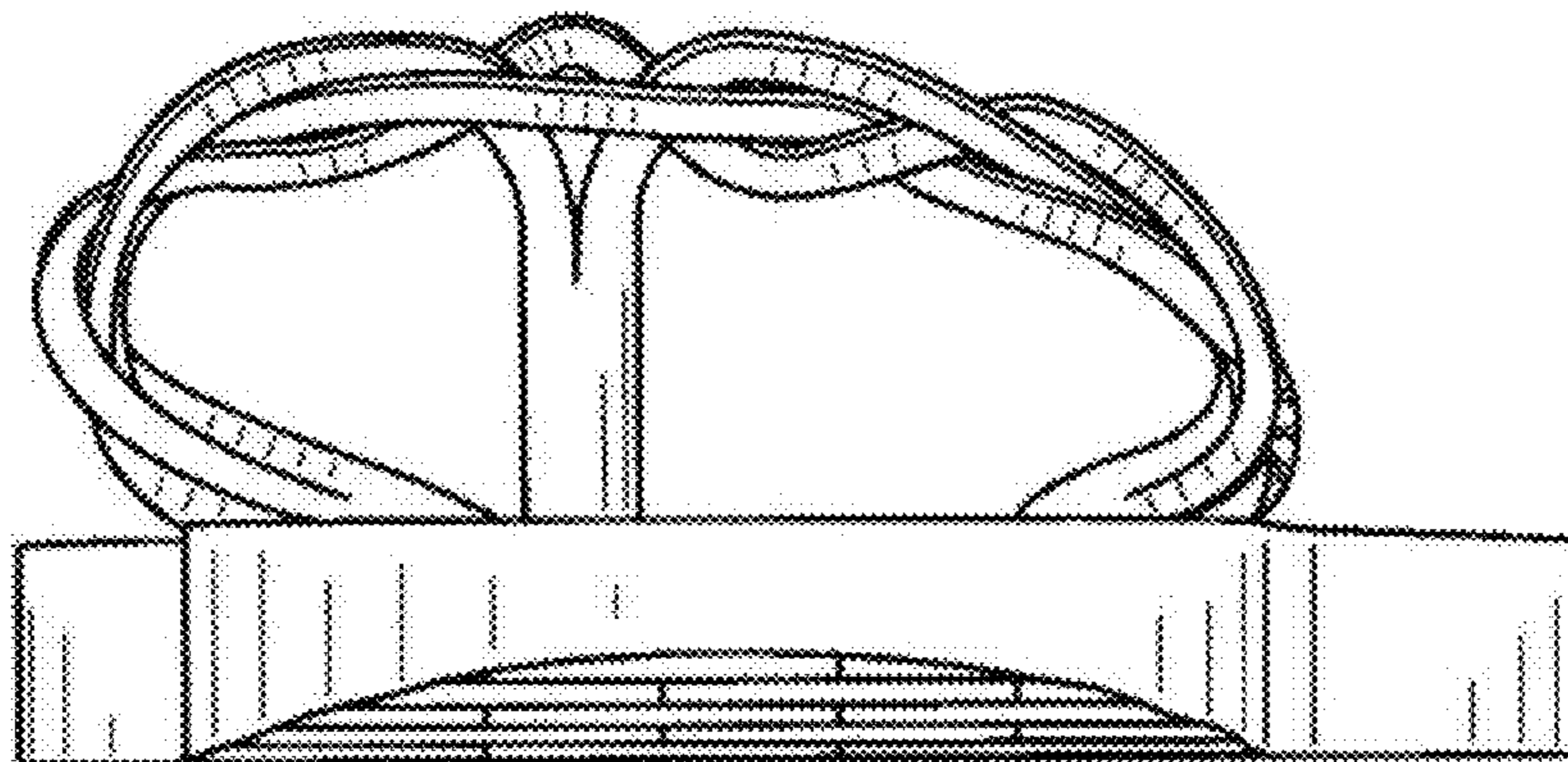


FIG. 3

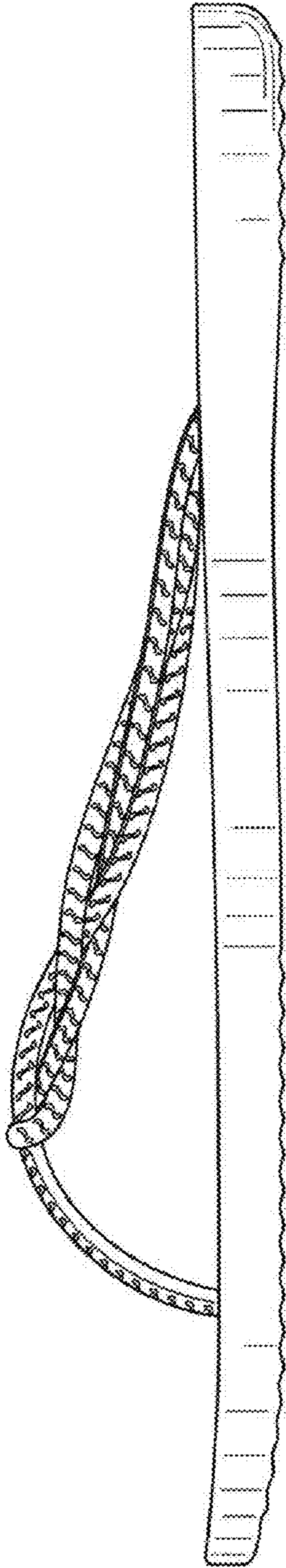


FIG. 4

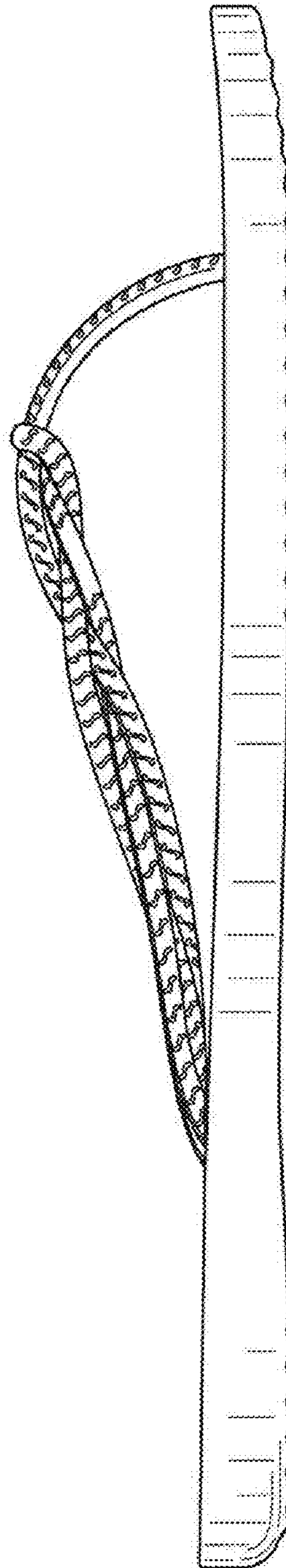


FIG. 5

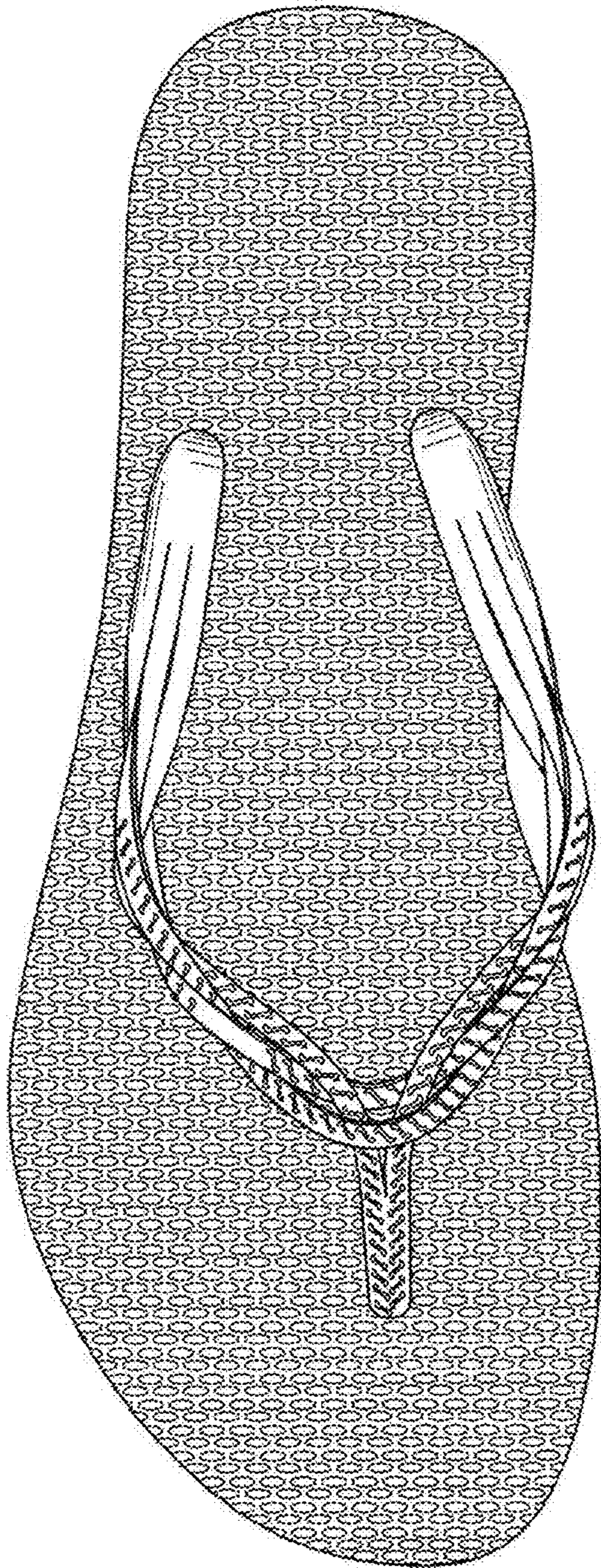


FIG. 6

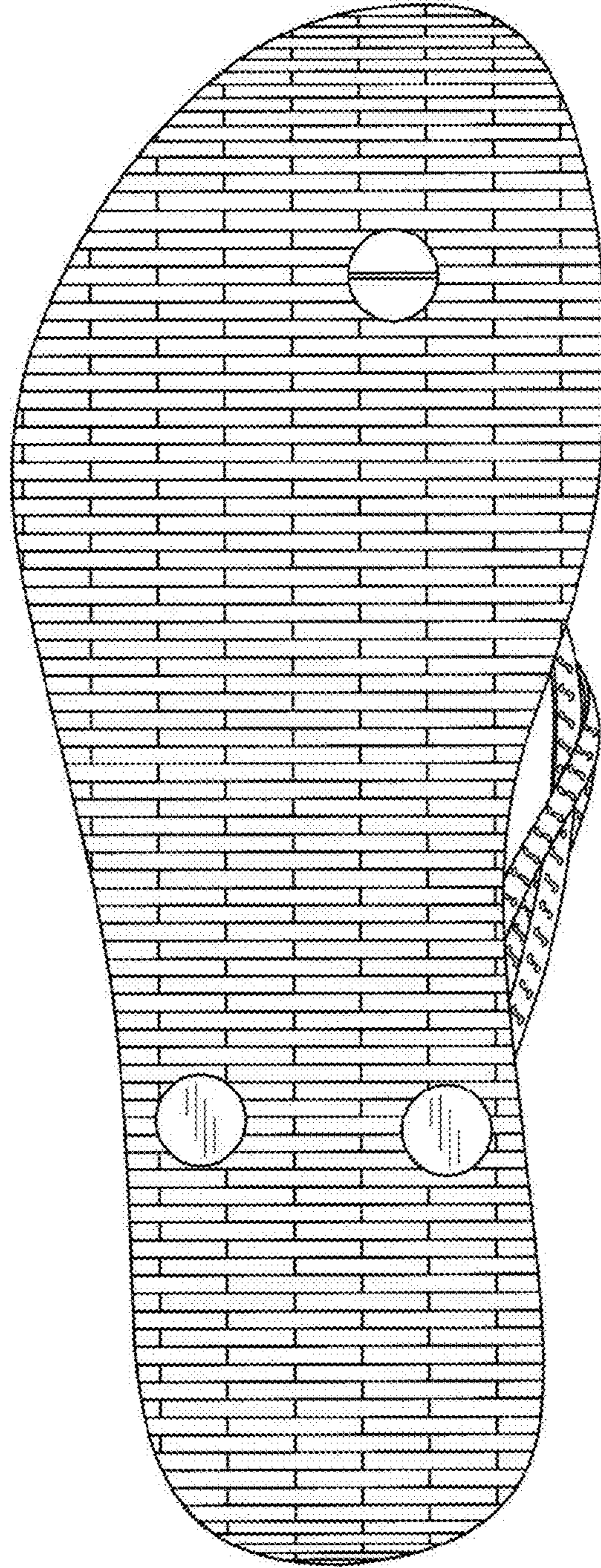


FIG. 7