

US00D661063S

(12) **United States Design Patent**  
**Eveleth**

(10) **Patent No.:** **US D661,063 S**  
(45) **Date of Patent:** **\*\* Jun. 5, 2012**

(54) **HAT**  
(75) **Inventor:** **Bradley R. Eveleth**, Rapid City, SD  
(US)  
(73) **Assignee:** **Cowboy Caps LLC**, Rapid City, SD  
(US)

2,350,728 A *	6/1944	Conley .....	2/175.4
2,560,508 A *	7/1951	Eakland .....	2/175.2
2,779,947 A *	2/1957	Severy .....	2/181.4
2,834,019 A *	5/1958	Cavanagh .....	2/175.5
D223,742 S *	6/1972	Johnson .....	D2/887
D346,477 S *	5/1994	Harmon .....	D2/882
D350,427 S *	9/1994	Vig et al. ....	D2/887
D403,840 S	1/1999	Griffin	
D513,988 S *	1/2006	Malik .....	D9/451

(\*\*) **Term:** **14 Years**

\* cited by examiner

(21) **Appl. No.:** **29/403,601**

*Primary Examiner* — Karen E Eldridge Powers

(22) **Filed:** **Oct. 7, 2011**

(74) *Attorney, Agent, or Firm* — Gordon & Rees LLP

(51) **LOC (9) Cl.** ..... **02-03**

(52) **U.S. Cl.** ..... **D2/882**

(58) **Field of Classification Search** ..... D2/865,  
D2/866, 875, 876, 877, 878, 879, 880, 881,  
D2/882, 883, 884, 885, 886, 887, 888, 891,  
D2/893; 2/171, 175.1, 175.2, 175.3, 175.4,  
2/175.5, 183, 184, 195.1, 195.2, 195.3, 195.4,  
2/200.1, 209.11, 209.12, 209.13

See application file for complete search history.

(57) **CLAIM**

I claim the ornamental design for a hat, as shown and described.

**DESCRIPTION**

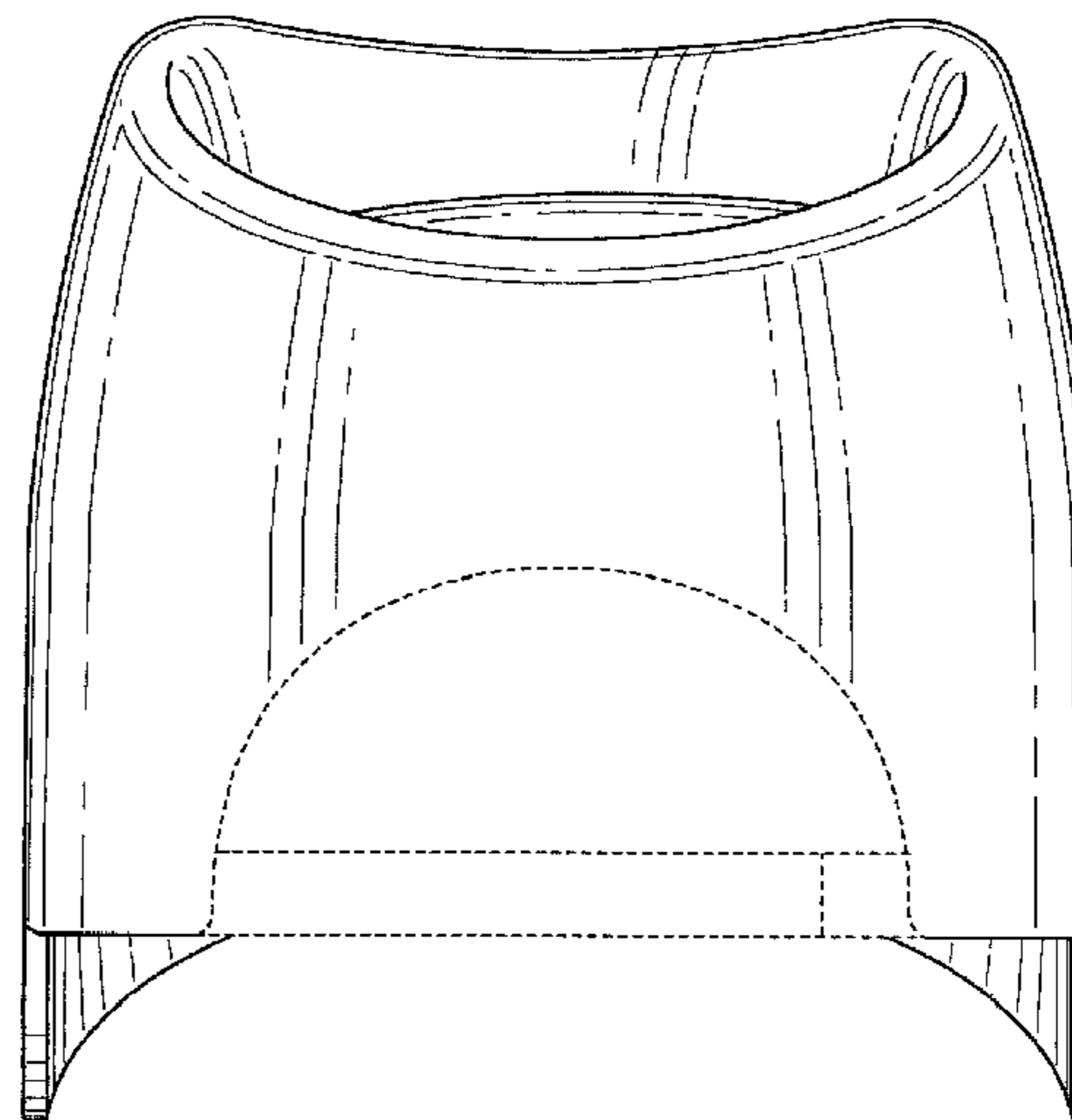
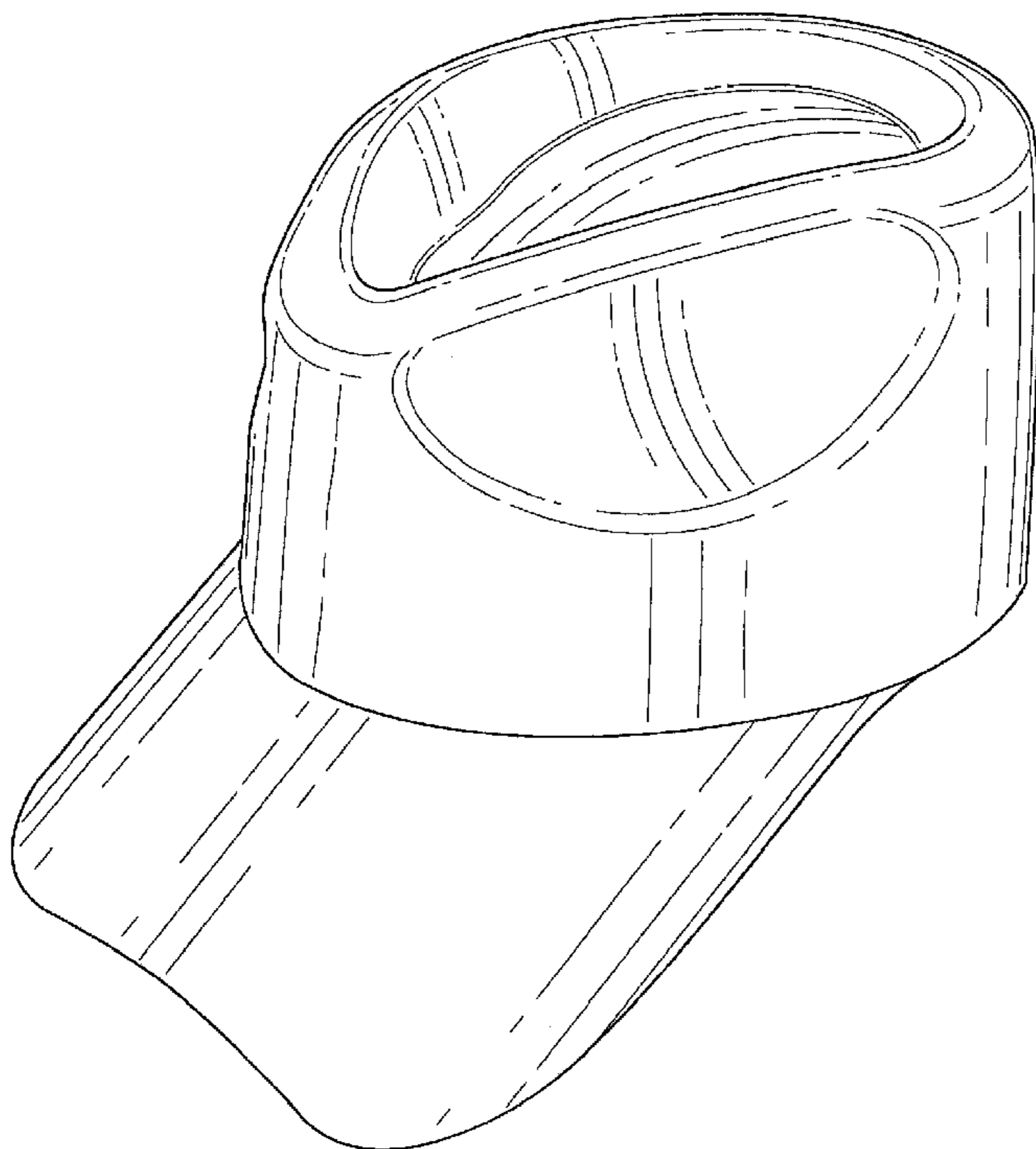
FIG. 1 is a front perspective view of a hat.  
FIG. 2 is a left-side elevation view of a hat.  
FIG. 3 is a right-side elevation view of a hat.  
FIG. 4 is a front elevation view of a hat.  
FIG. 5 is a rear elevation view of a hat.  
FIG. 6 is a top plan view of a hat; and,  
FIG. 7 is a bottom plan view of a hat.  
The features shown in broken lines are unclaimed.

(56) **References Cited**

**U.S. PATENT DOCUMENTS**

372,514 A *	11/1887	Brahadi .....	2/175.4
D39,680 S *	12/1908	Roelofs .....	D2/887
D98,961 S *	3/1936	Reynolds .....	D2/887
2,226,133 A *	12/1940	Lee, Jr. ....	2/175.3

**1 Claim, 6 Drawing Sheets**



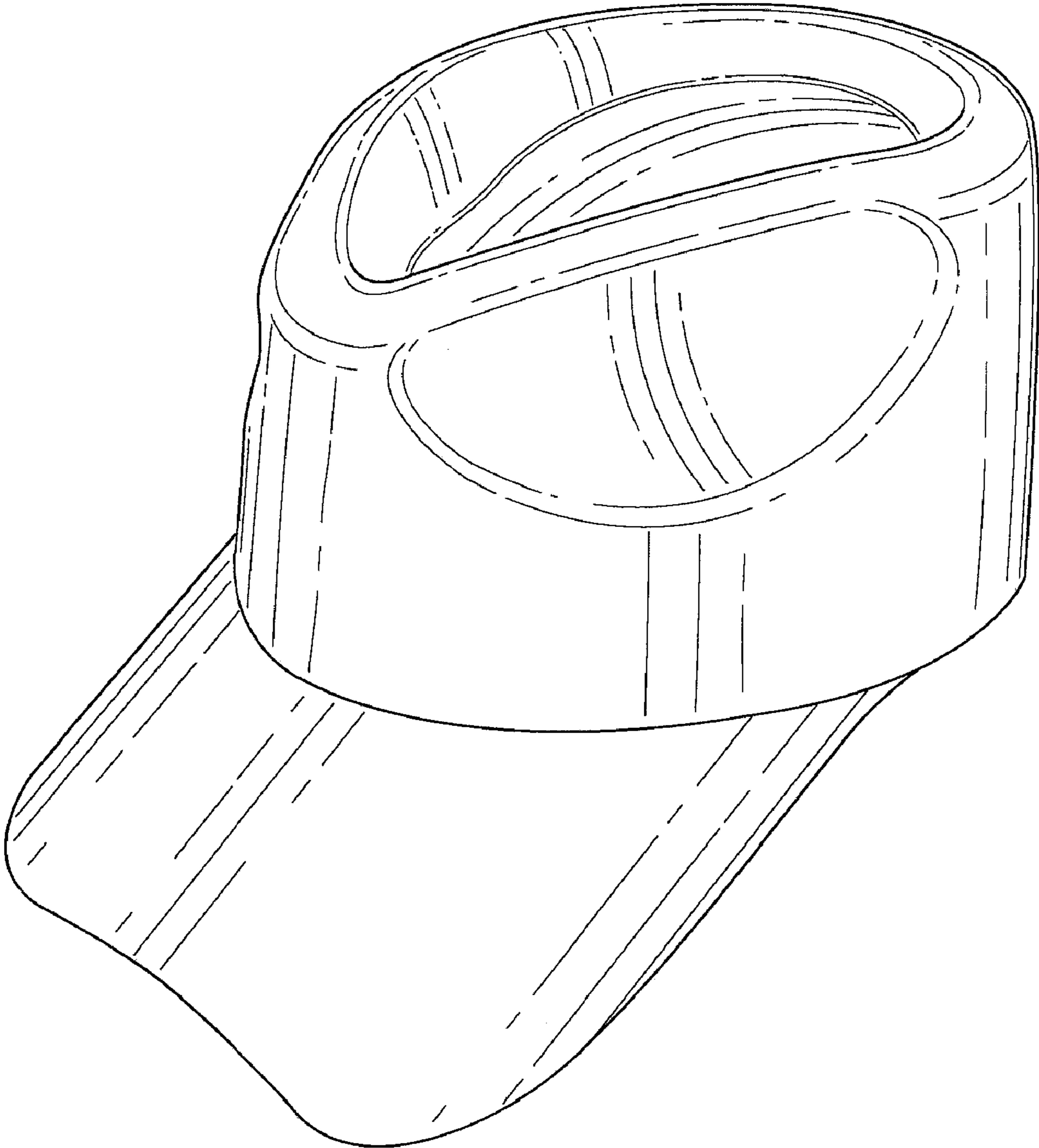


FIG. 1

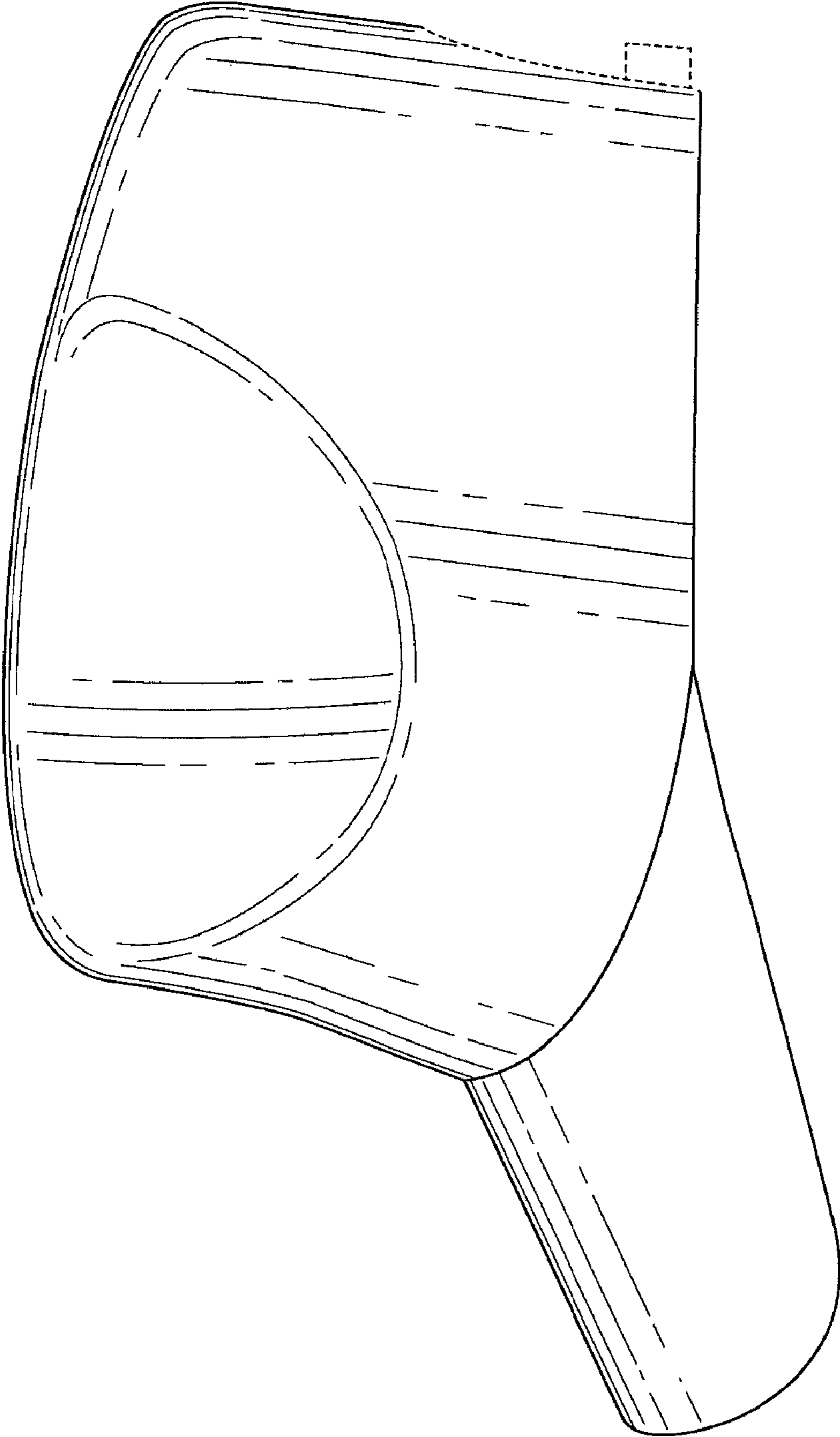


FIG. 2

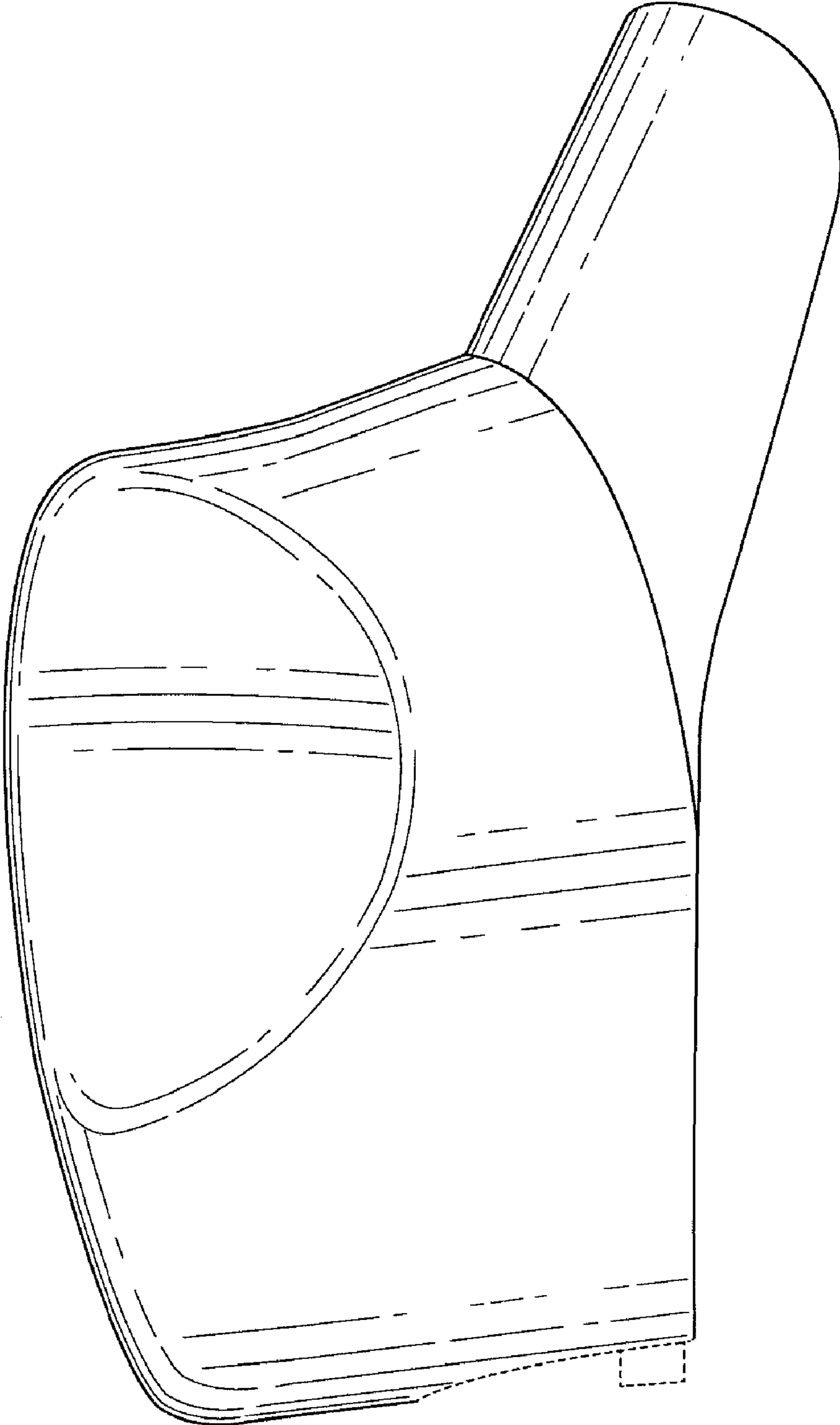


FIG. 3

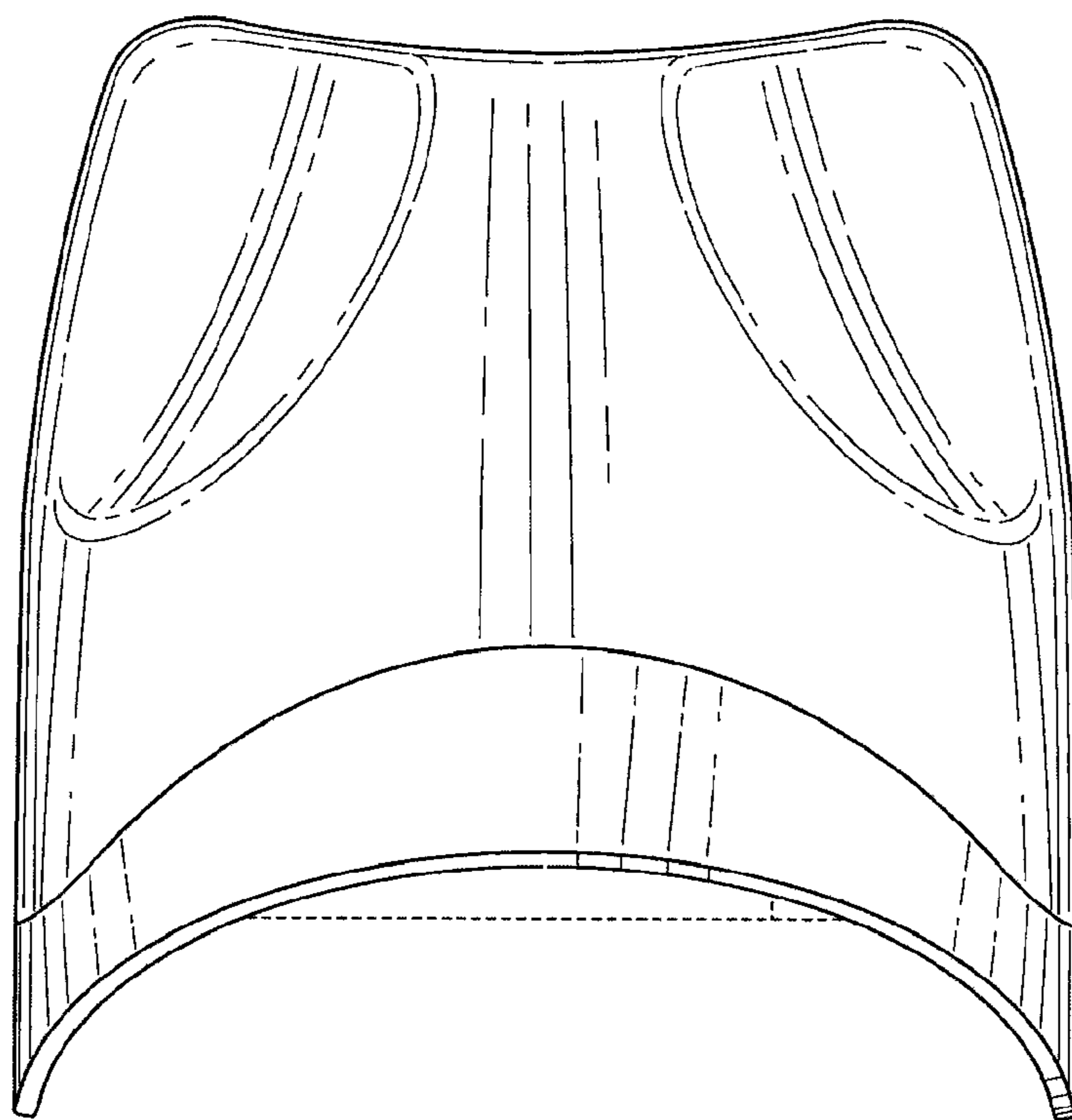


FIG. 4

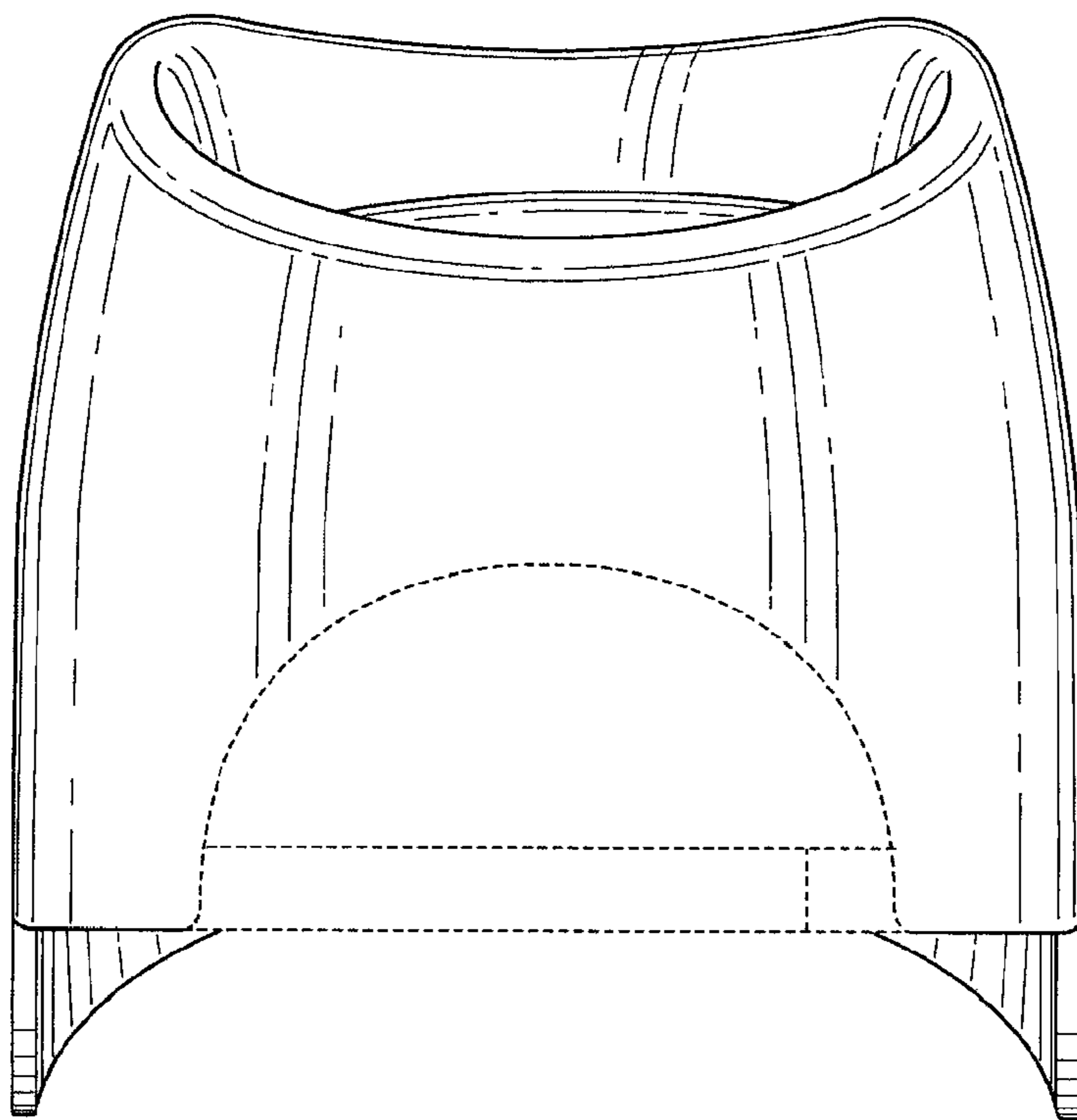


FIG. 5



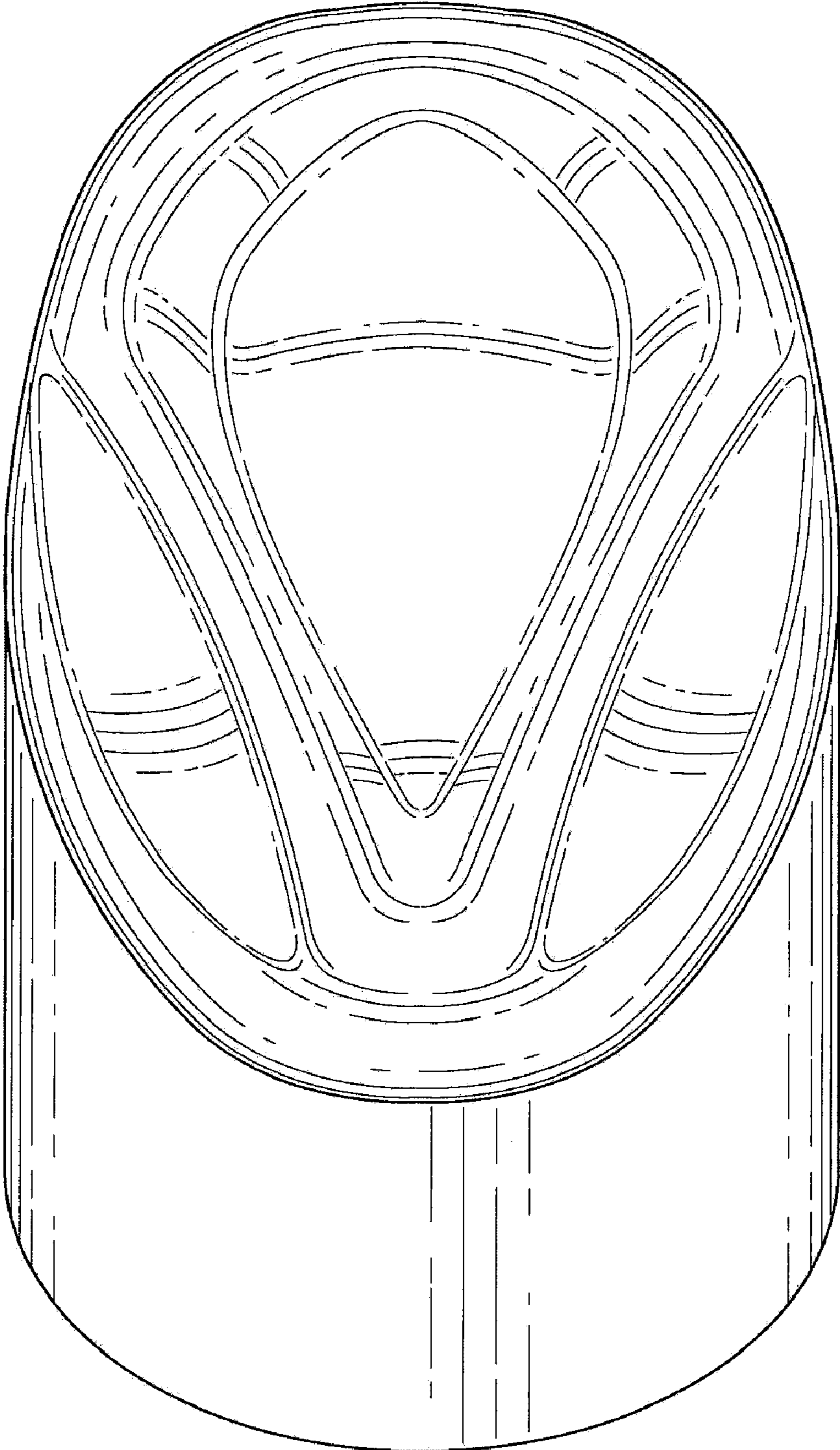


FIG. 6

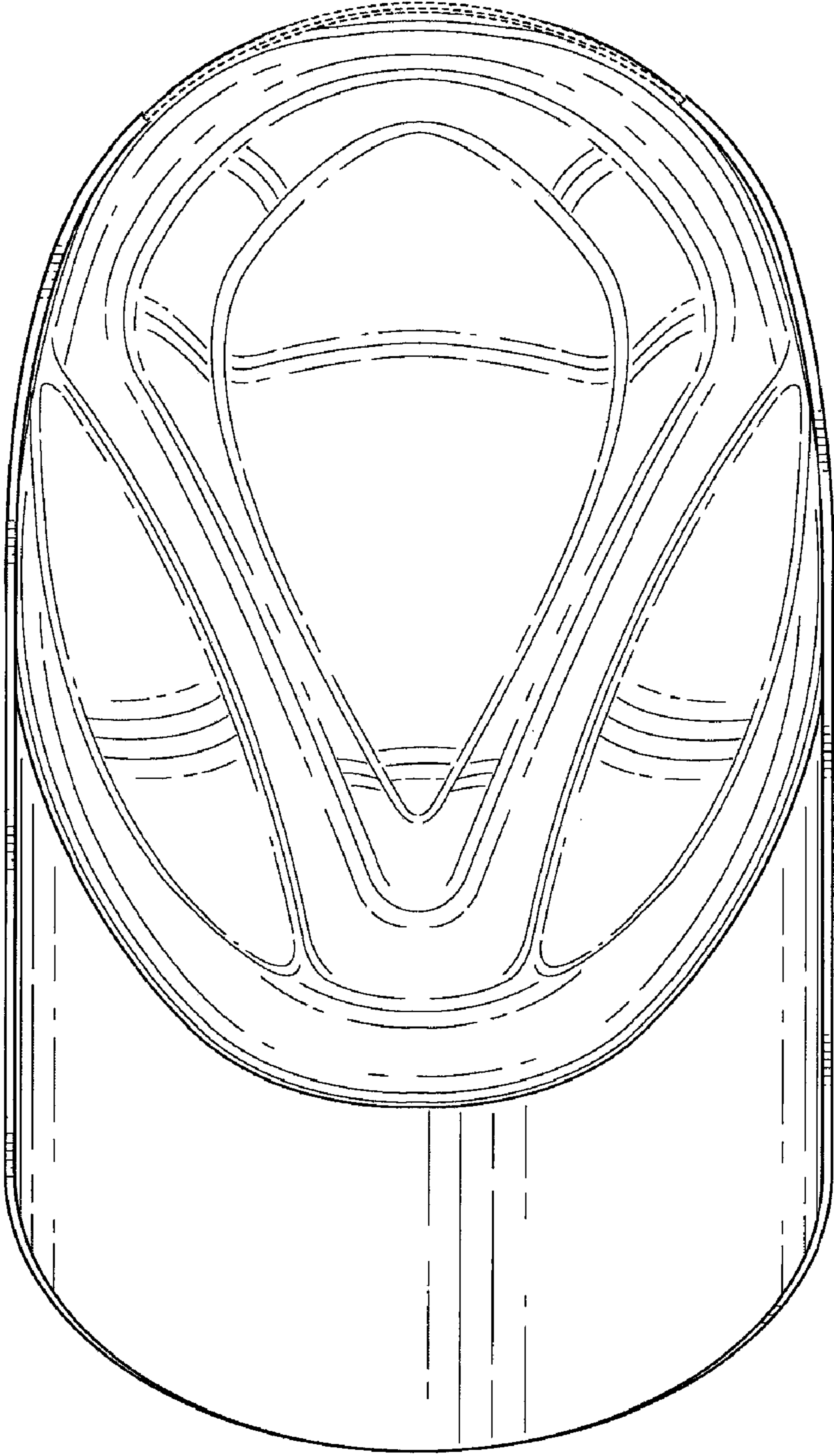


FIG. 7