

US00D661053S

(12) **United States Design Patent**
Weinshanker

(10) **Patent No.:** **US D661,053 S**
(45) **Date of Patent:** **** Jun. 5, 2012**

(54) **SHIRT WITH IMAGE OF INSTANT PHOTOGRAPH**

(76) Inventor: **Joel Weinshanker**, Hillside, NJ (US)

(**) Term: **14 Years**

(21) Appl. No.: **29/405,404**

(22) Filed: **Nov. 2, 2011**

Related U.S. Application Data

(62) Division of application No. 29/361,686, filed on May 13, 2010, now Pat. No. Des. 649,744.

(51) **LOC (9) Cl.** **02-02**

(52) **U.S. Cl.** **D2/717**

(58) **Field of Classification Search** D2/717,
D2/840, 841, 844; 2/106, 115

See application file for complete search history.

(56) **References Cited**

U.S. PATENT DOCUMENTS

1,467,680	A	9/1923	Oda	
3,055,133	A *	9/1962	Anderson	40/586
3,658,065	A	4/1972	Hirsch	
3,707,053	A	12/1972	Itano	
4,202,053	A	5/1980	Bell	
4,499,896	A	2/1985	Heinecke	
4,710,981	A	12/1987	Sanchez	
4,805,241	A *	2/1989	Faccini	2/102
4,899,395	A	2/1990	Spector	
4,924,613	A *	5/1990	Levin	40/586
5,074,067	A	12/1991	Cohart	
5,279,880	A	1/1994	Cohart	
5,621,914	A	4/1997	Ramone et al.	
5,673,433	A	10/1997	Rothrum	
5,913,407	A *	6/1999	Keyes	2/83
5,943,698	A *	8/1999	Blanks, I	2/69
5,953,757	A	9/1999	Blanks, I	
5,960,476	A *	10/1999	Danzy	2/115
D456,116	S *	4/2002	Cunningham	D2/854
6,421,832	B1 *	7/2002	Ondrejko et al.	2/69
6,729,058	B2	5/2004	Ferguson	

D508,535	S	8/2005	Kosek	
D545,028	S *	6/2007	Myrick	D2/728
D573,777	S	7/2008	Rogers	
D580,628	S	11/2008	Morris	
D600,879	S	9/2009	Accardi	
D603,585	S	11/2009	Capriola	

(Continued)

FOREIGN PATENT DOCUMENTS

DE 4405518 A1 9/1995

OTHER PUBLICATIONS

Printout from website http://www.zazzle.com/polaroid_snaps_tshirt-235638070443807169, website copyright 2000-2010, printed on Nov. 2, 2010 (2 pages).

Printout from website http://www.zazzle.com/beach_party_tshirt-235483278972230680, website copyright 2000-2010, printed on Nov. 15, 2010 (3 pages).

(Continued)

Primary Examiner — Rashida Johnson

(74) *Attorney, Agent, or Firm* — McCarter & English, LLP

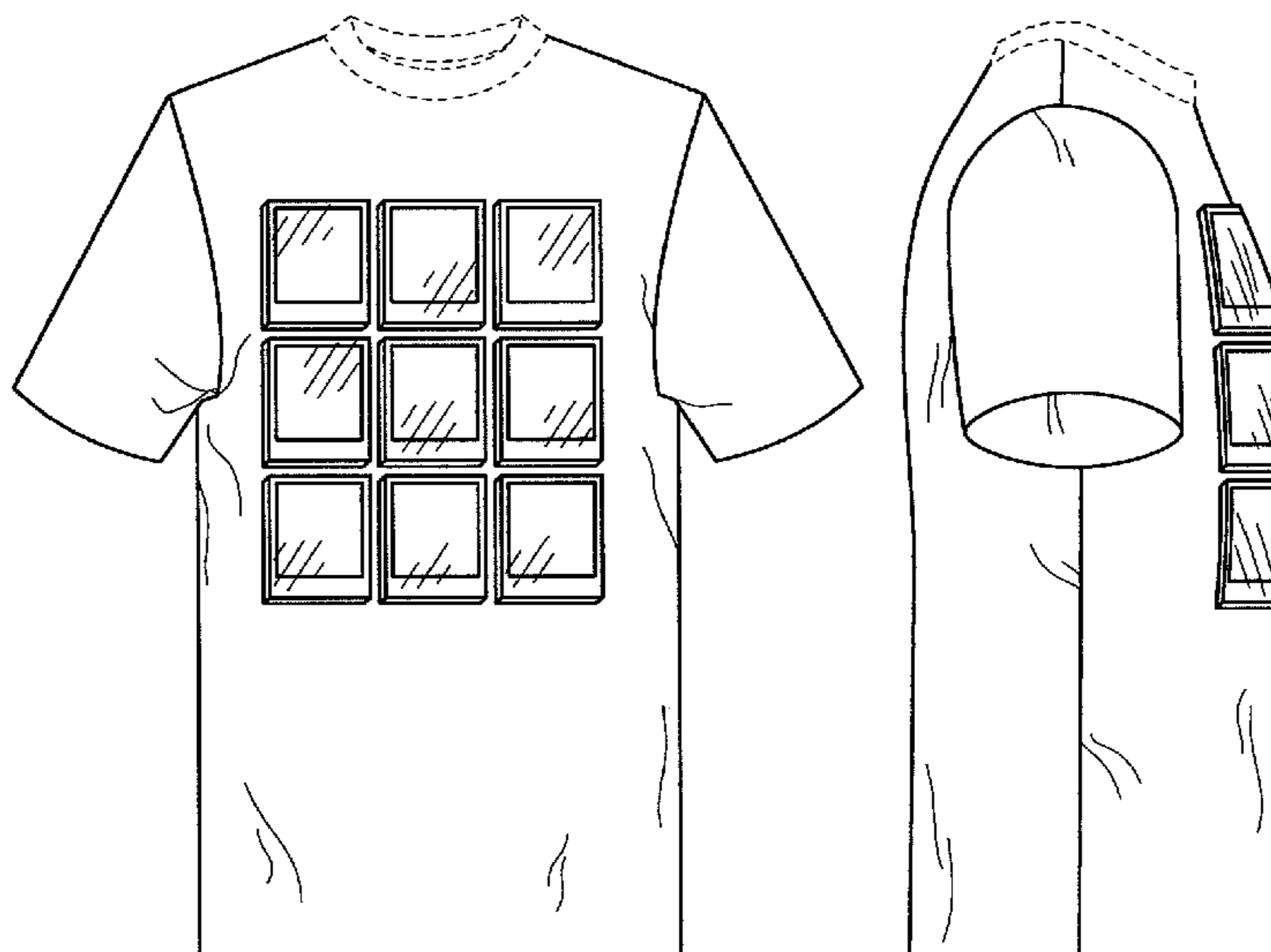
(57) **CLAIM**

The ornamental design for a shirt with image of instant photograph, as shown and described.

DESCRIPTION

FIG. 1 is a front view of a shirt with image of instant photograph showing a first aspect of my new design; FIG. 2 is a left side view thereof; FIG. 3 is a right side view thereof; FIG. 4 is a front view of a shirt with image of instant photograph showing a second aspect of my new design; FIG. 5 is a left side view thereof; and, FIG. 6 is a right side view thereof. The broken lines shown are for illustrative purposes only and form no part of the claimed design.

1 Claim, 2 Drawing Sheets



US D661,053 S

Page 2

U.S. PATENT DOCUMENTS

7,627,908 B1 12/2009 Pinckney, II
D624,728 S * 10/2010 Cooper D2/717
D649,744 S * 12/2011 Weinshanker D2/717
2006/0253954 A1* 11/2006 Music 2/115
2007/0180596 A1* 8/2007 Shelton 2/113
2010/0005694 A1 1/2010 Forte et al.
2011/0277207 A1 11/2011 Weinshanker

OTHER PUBLICATIONS

Printout from website http://www.zazzle.com/surf_the_dream_polaroid_images_tshirt-235190528460849145, website copyright 2000-2010, printed on Nov. 15, 2010 (3 pages).

* cited by examiner

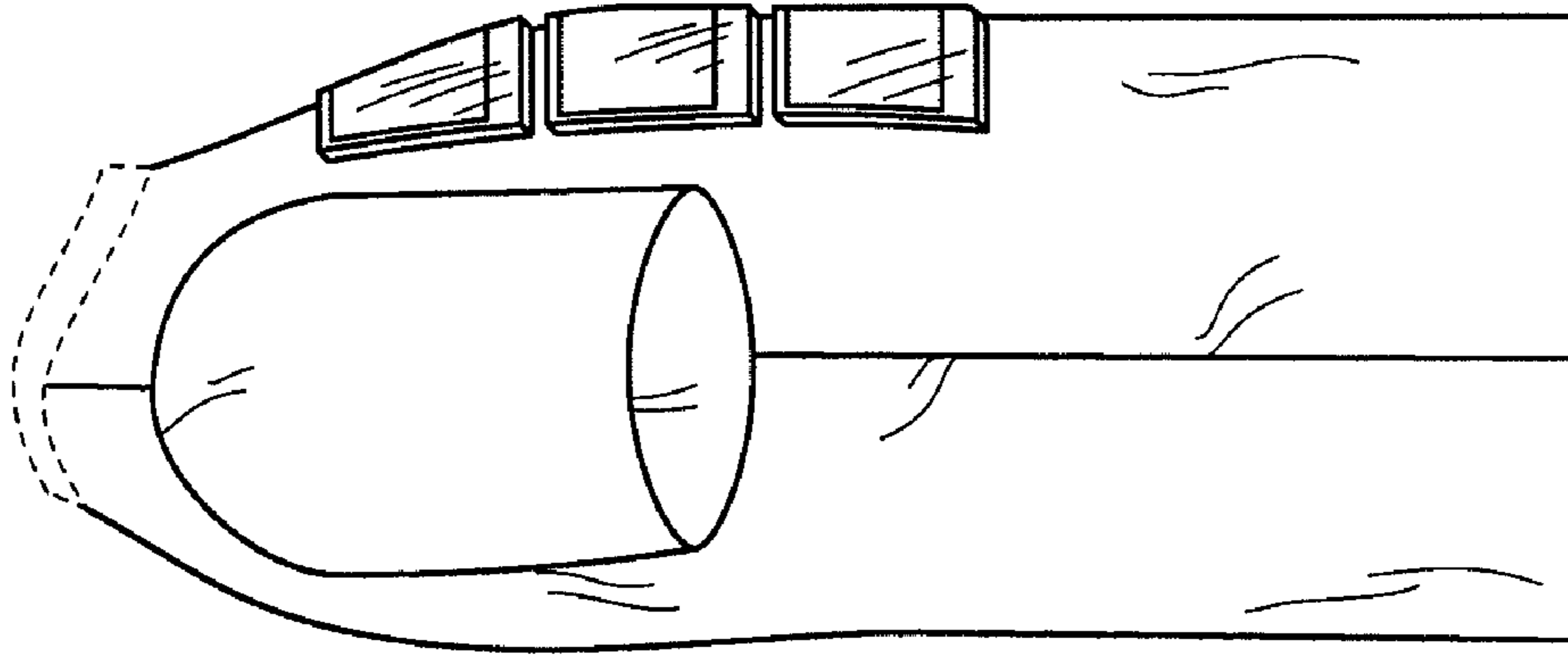


FIG. 3

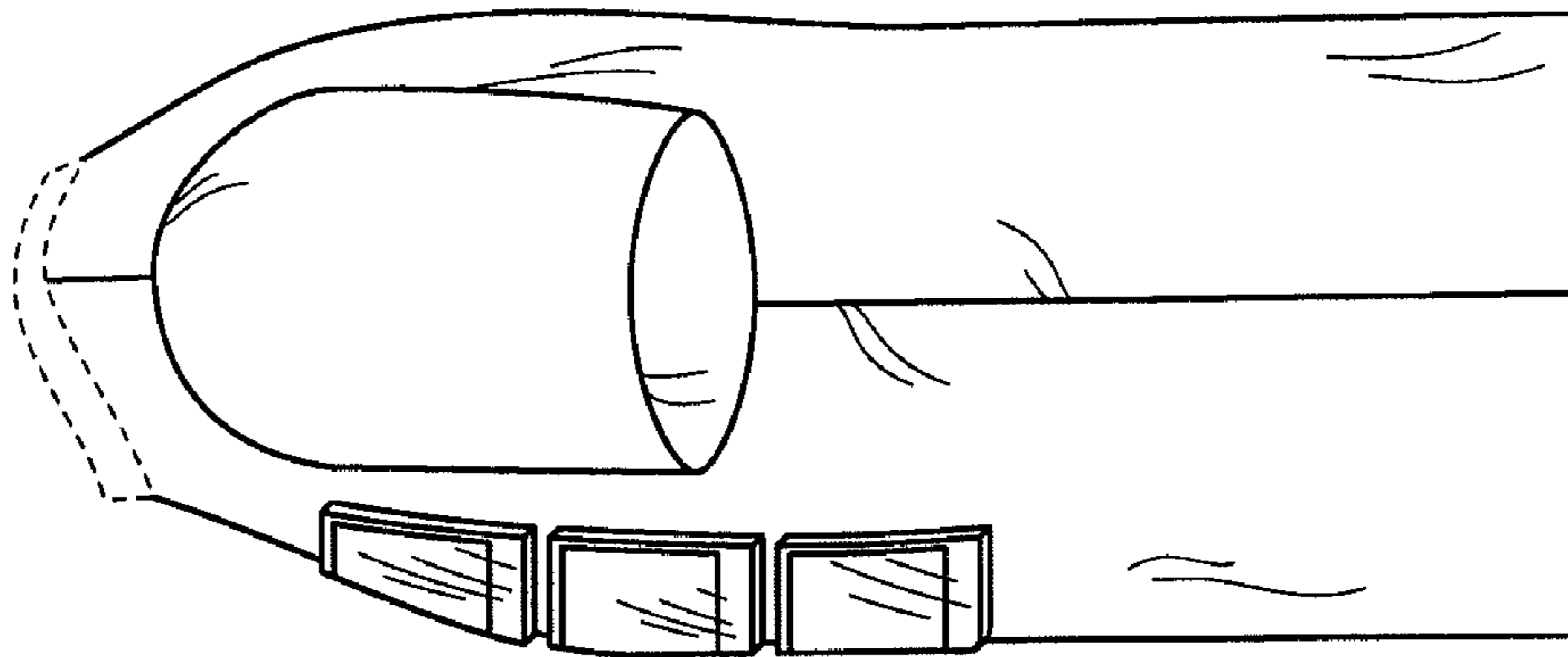


FIG. 2

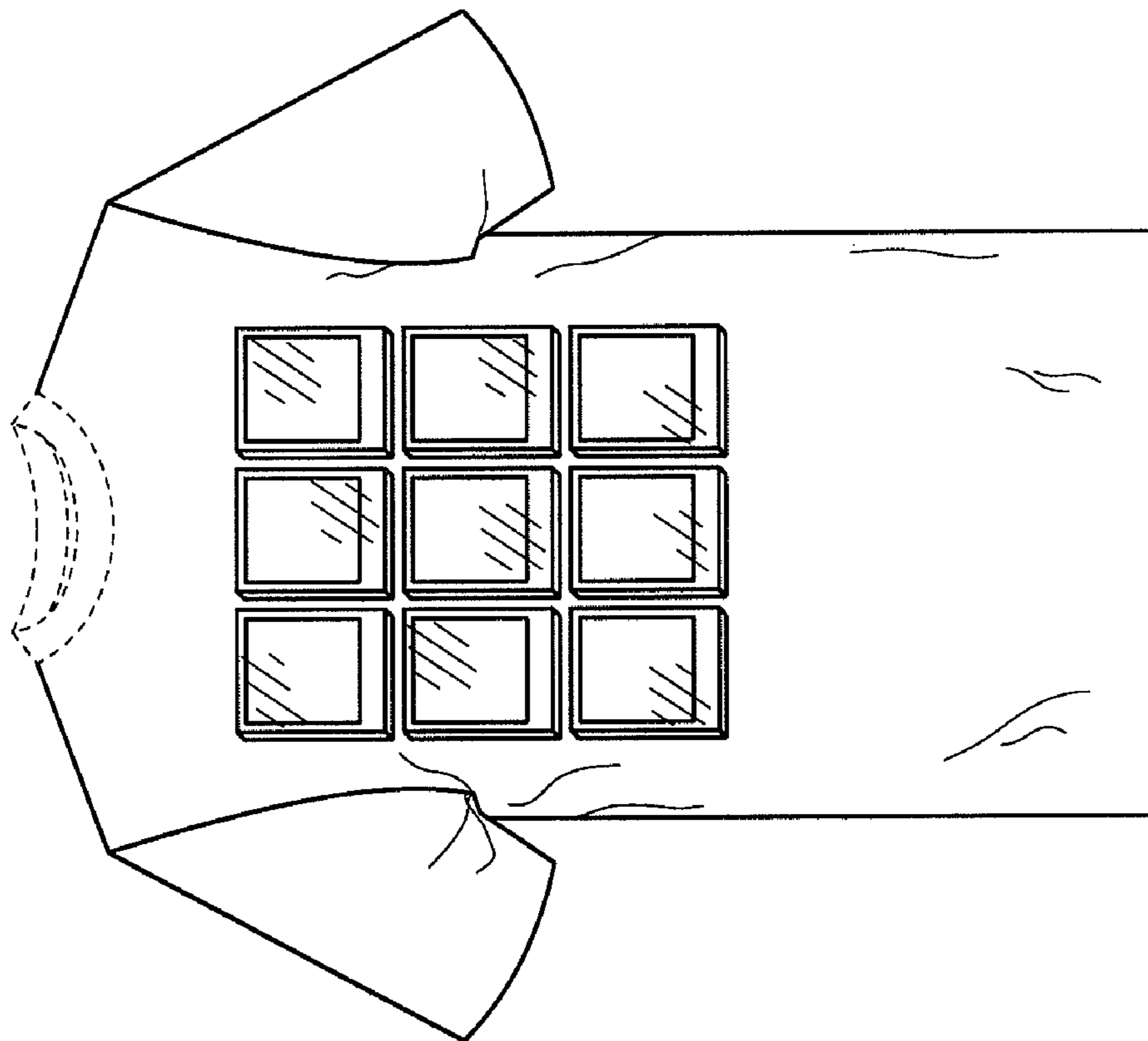


FIG. 1

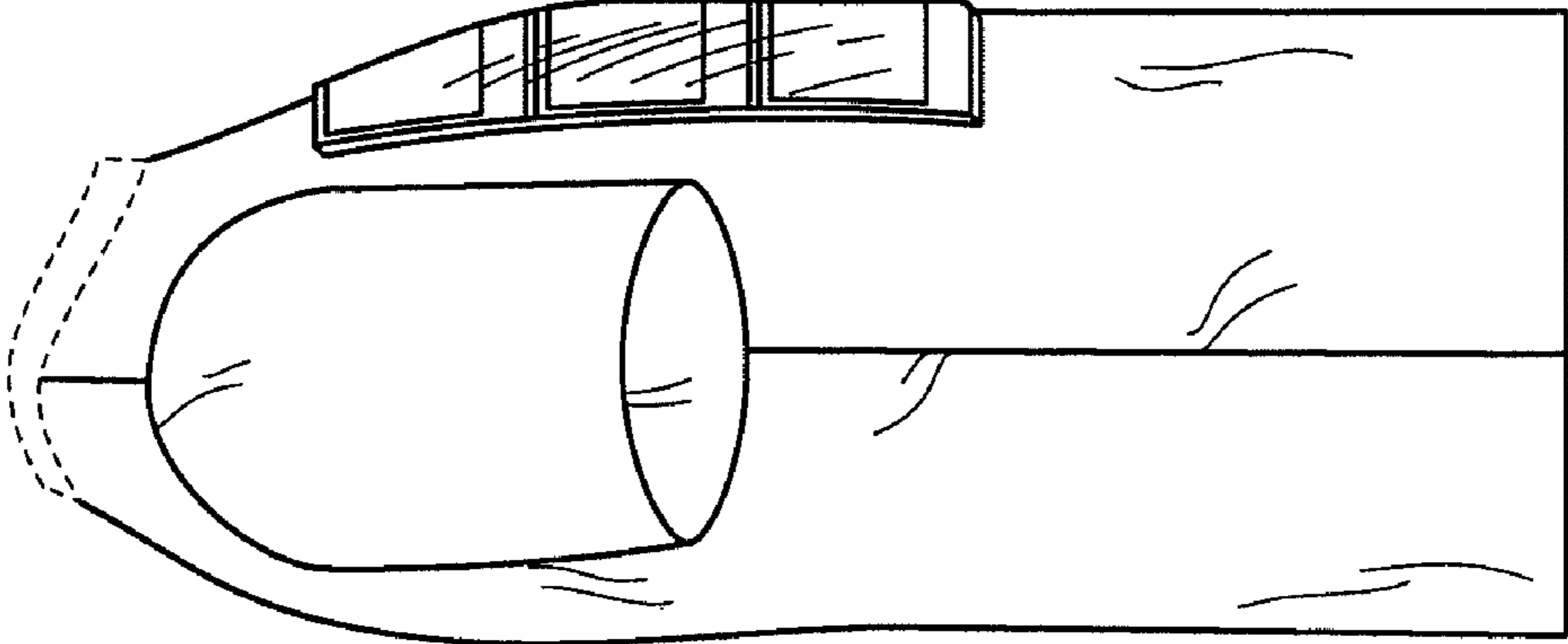


FIG. 4

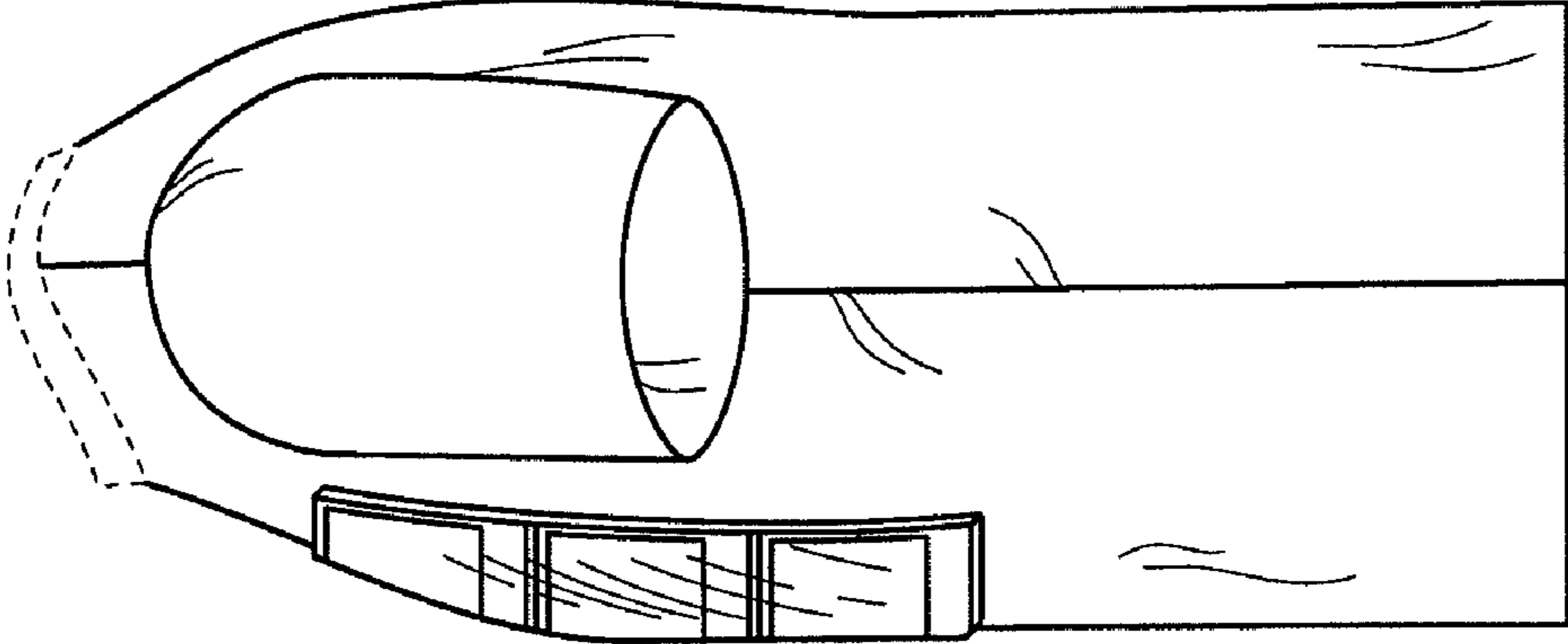


FIG. 5

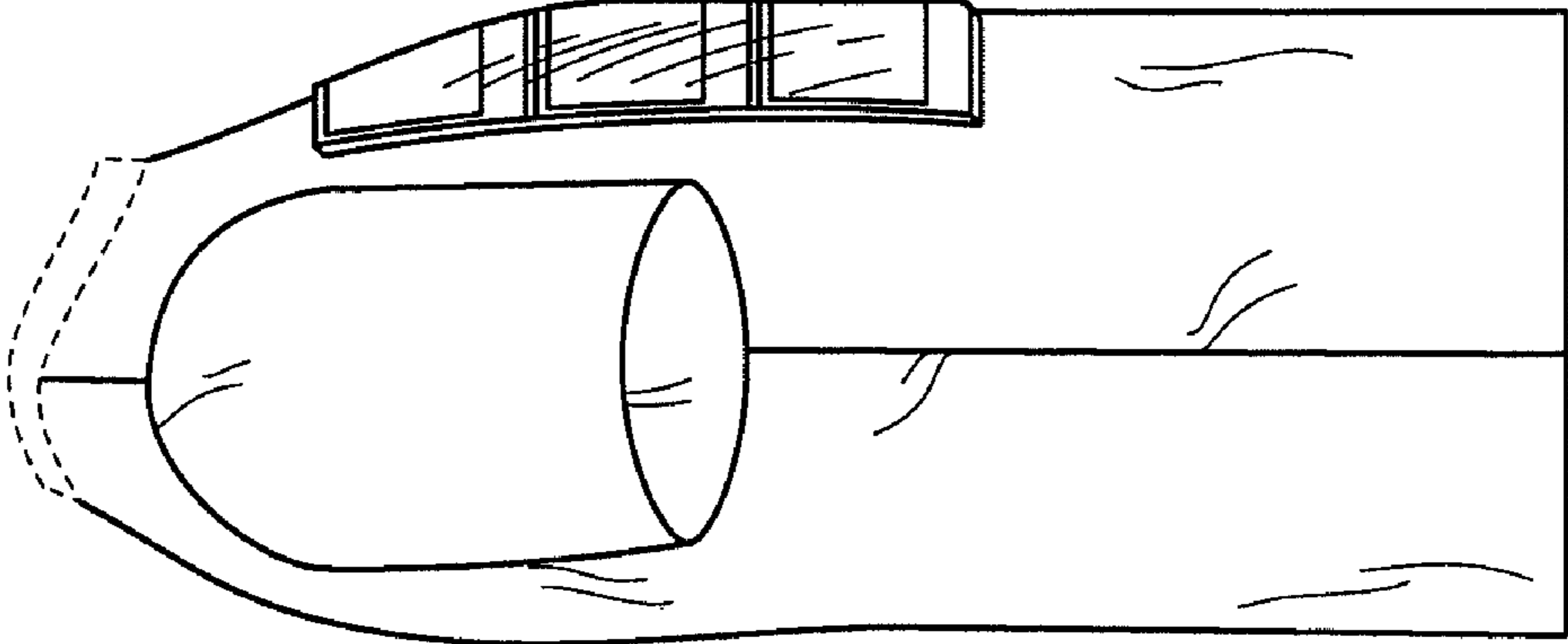


FIG. 6