

US00D661045S

(12) **United States Design Patent**
Parks

(10) **Patent No.:** **US D661,045 S**

(45) **Date of Patent:** **** May 29, 2012**

(54) **HUNTER CASKET**

(76) Inventor: **Charles C. Parks**, Jenks, OK (US)

(**) Term: **14 Years**

(21) Appl. No.: **29/378,033**

(22) Filed: **Oct. 28, 2010**

(51) **LOC (9) Cl.** **99-00**

(52) **U.S. Cl.** **D99/1; D99/11**

(58) **Field of Classification Search** D99/1,
D99/5, 3, 8, 11, 28, 17; D8/300, 315, 316,
D8/DIG. 1; 16/110.1, 439; 27/2, 6, 20, 35
See application file for complete search history.

(56) **References Cited**

U.S. PATENT DOCUMENTS

D8,923	S	*	1/1876	Crane	D99/11
D21,499	S	*	4/1892	McCarthy	D99/11
1,337,273	A	*	4/1920	Roberts	16/436
D56,558	S	*	11/1920	Hodgers	D99/11
D93,012	S	*	8/1934	Goggins	D99/3

D133,330	S	*	8/1942	Zaiser	D99/11
D201,953	S	*	8/1965	Rhoads	D8/316
D251,410	S	*	3/1979	Pittenger	D8/316
5,008,990	A	*	4/1991	Craft	27/2

* cited by examiner

Primary Examiner — Paula Greene

(74) *Attorney, Agent, or Firm* — Gable Gotwals

(57) **CLAIM**

The ornamental design for a hunter casket, as shown and described.

DESCRIPTION

FIG. 1 is a front elevational view of the casket illustrating my new design.

FIG. 2 is a rear elevational view.

FIG. 3 is a left side elevational view.

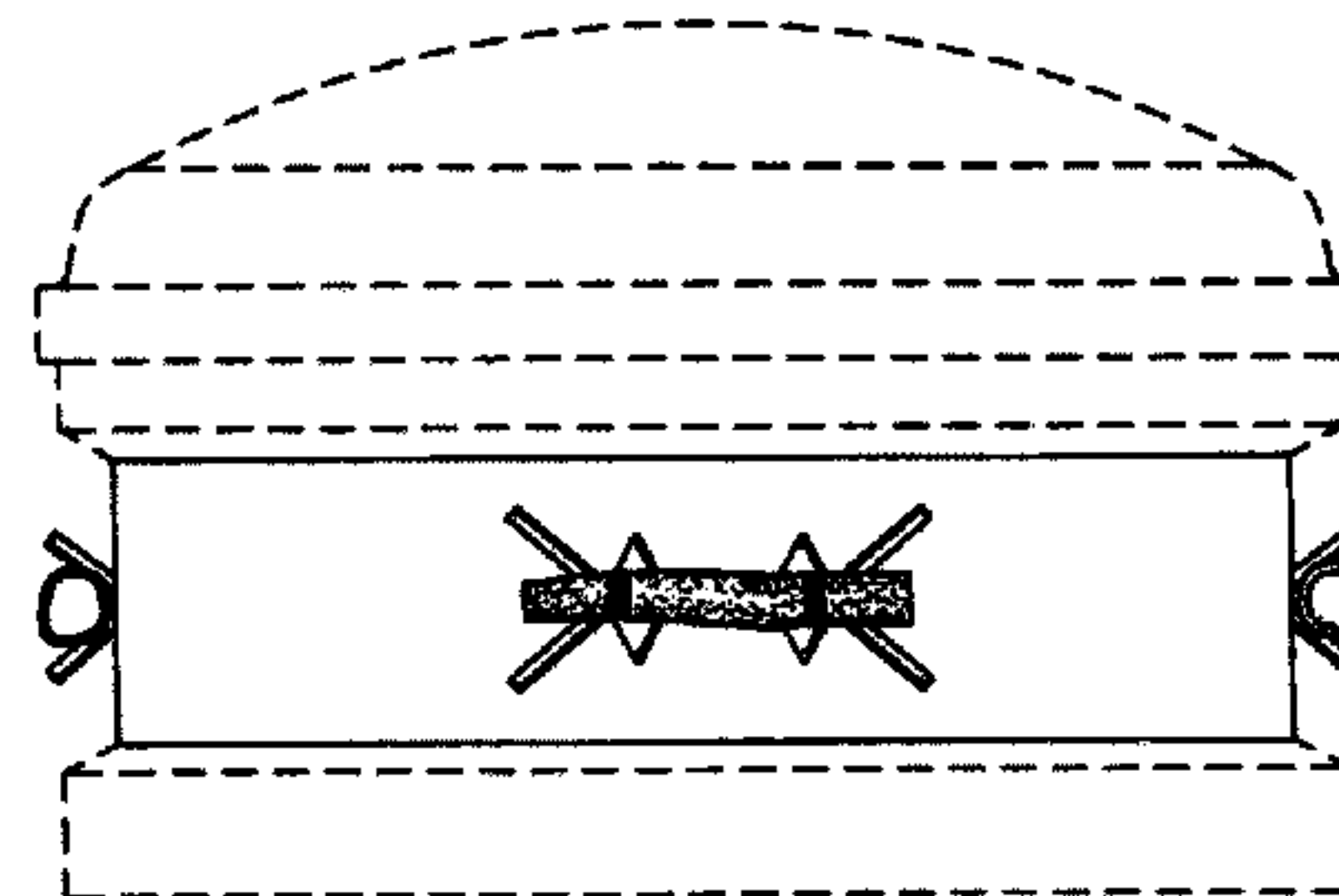
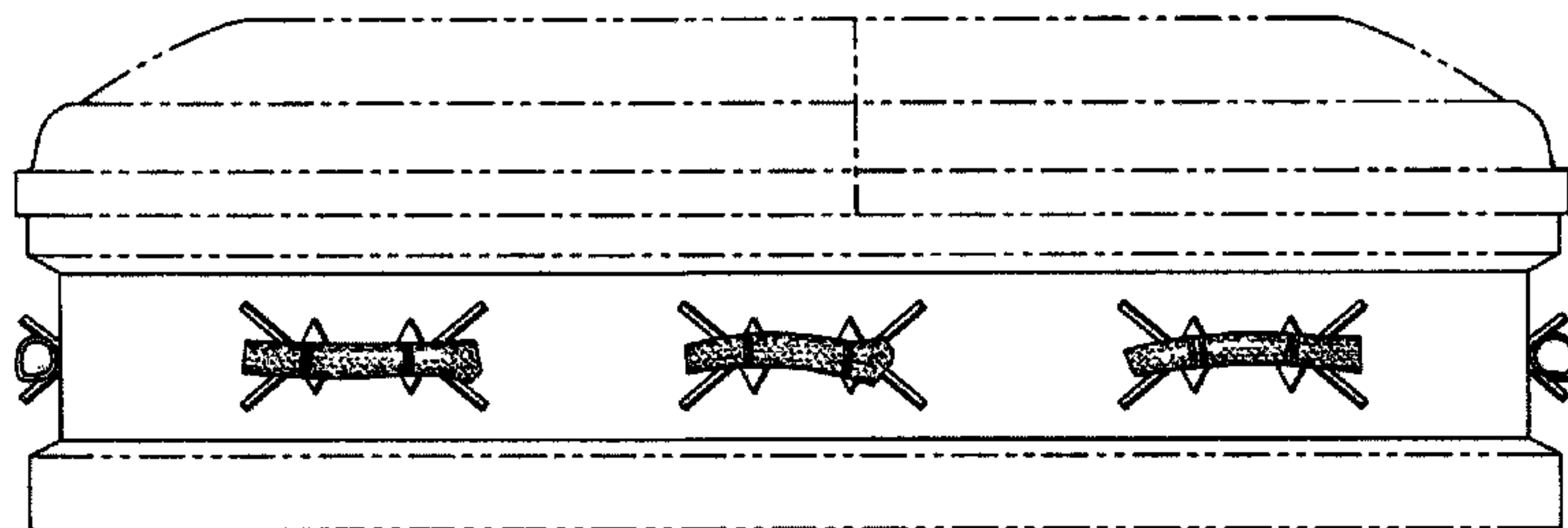
FIG. 4 is a right side elevational view.

FIG. 5 is a top view; and,

FIG. 6 is a bottom view.

The broken lines form no part of the claimed design.

1 Claim, 4 Drawing Sheets



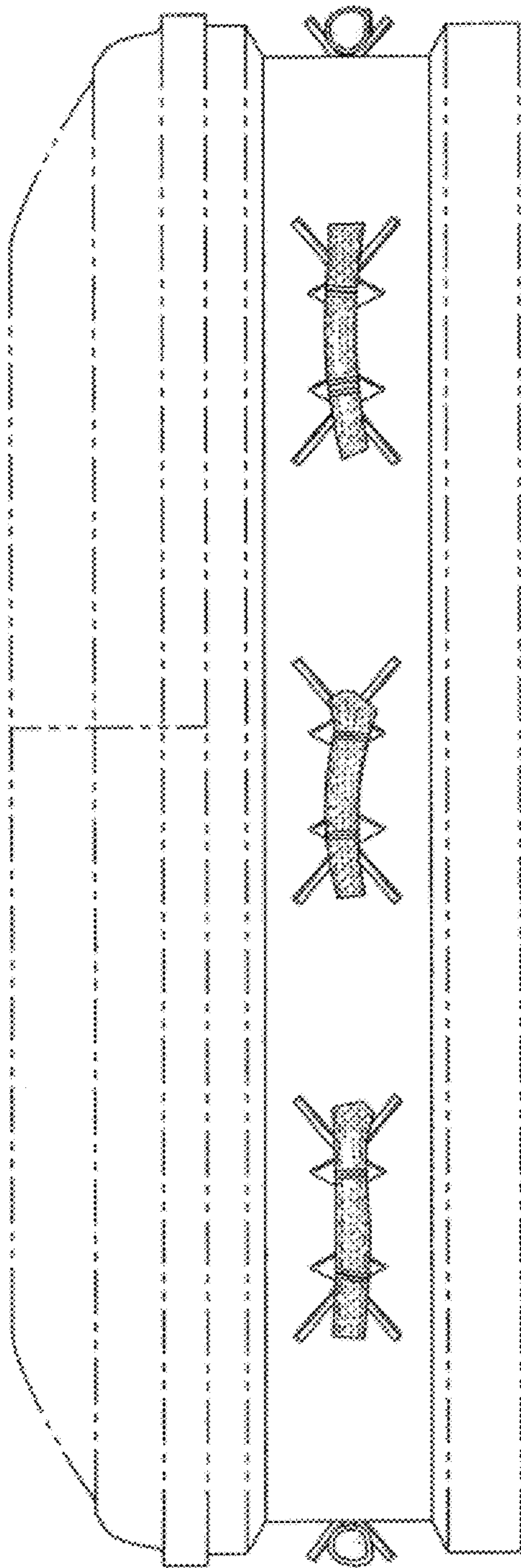


Fig. 1

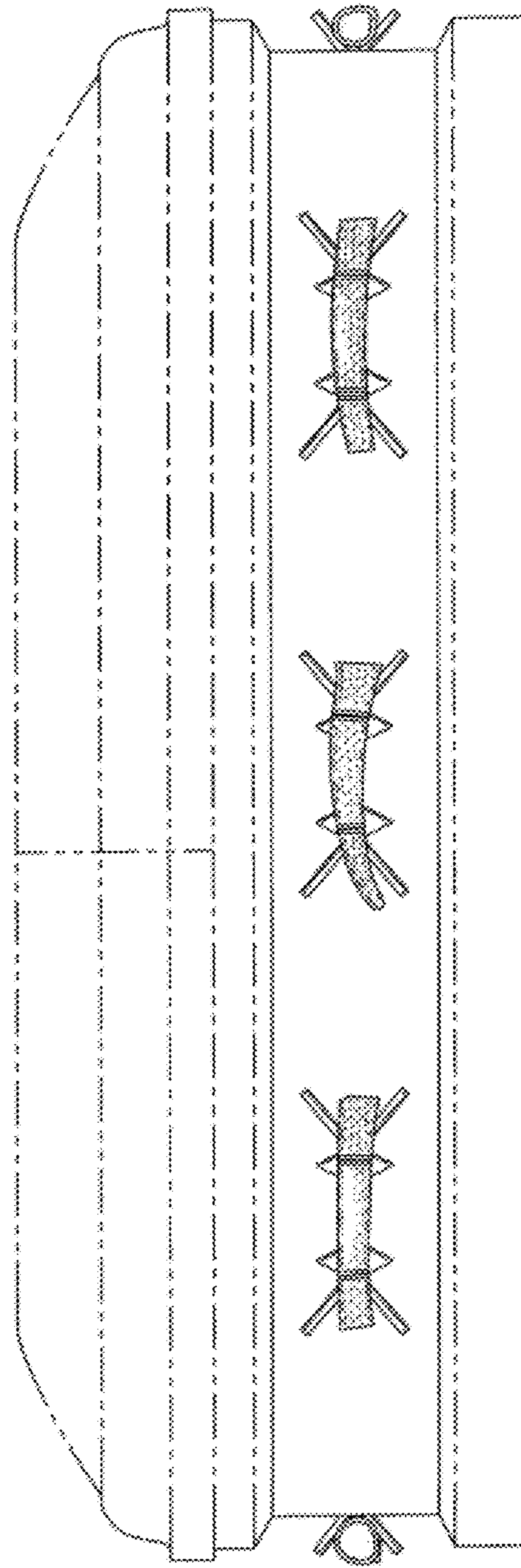


Fig. 2

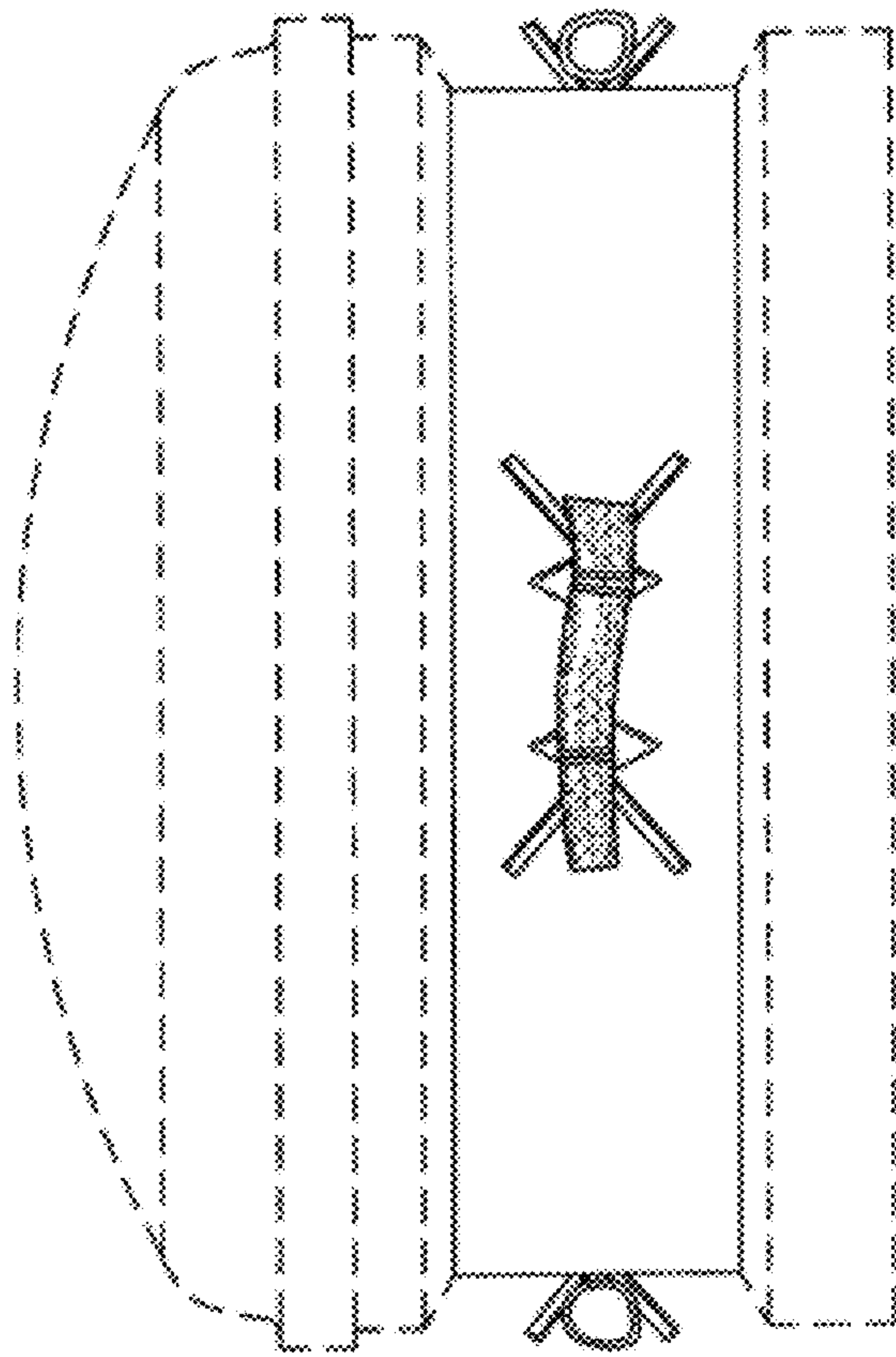


Fig. 3

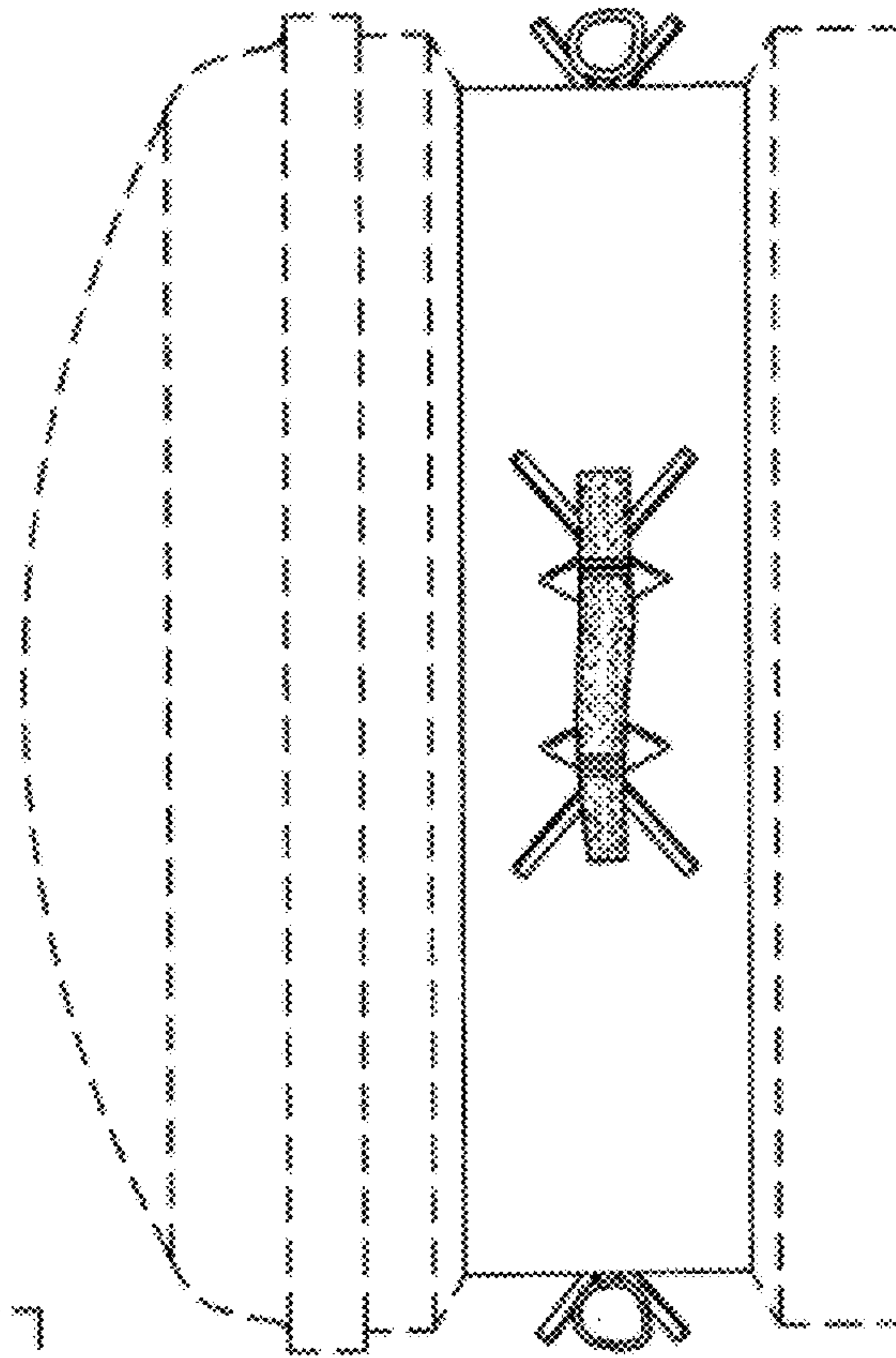


Fig. 4

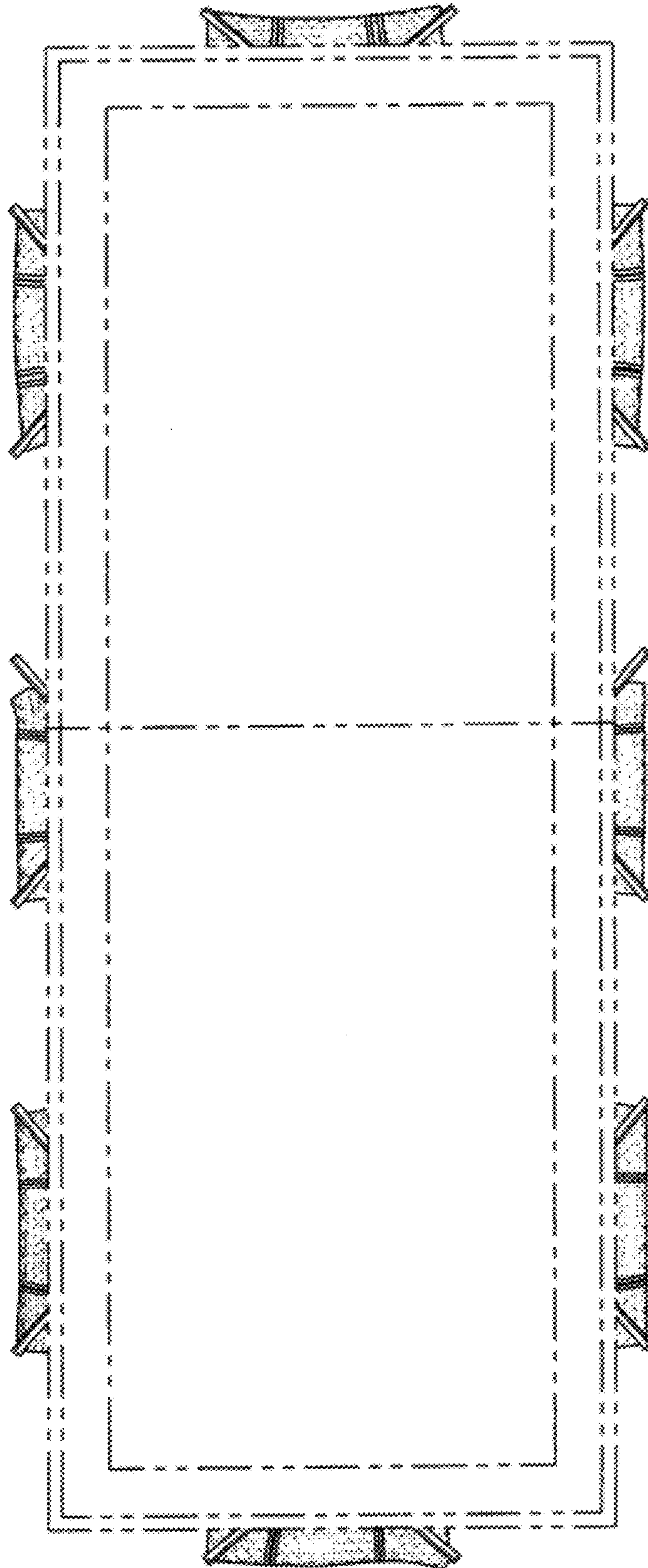


Fig. 5

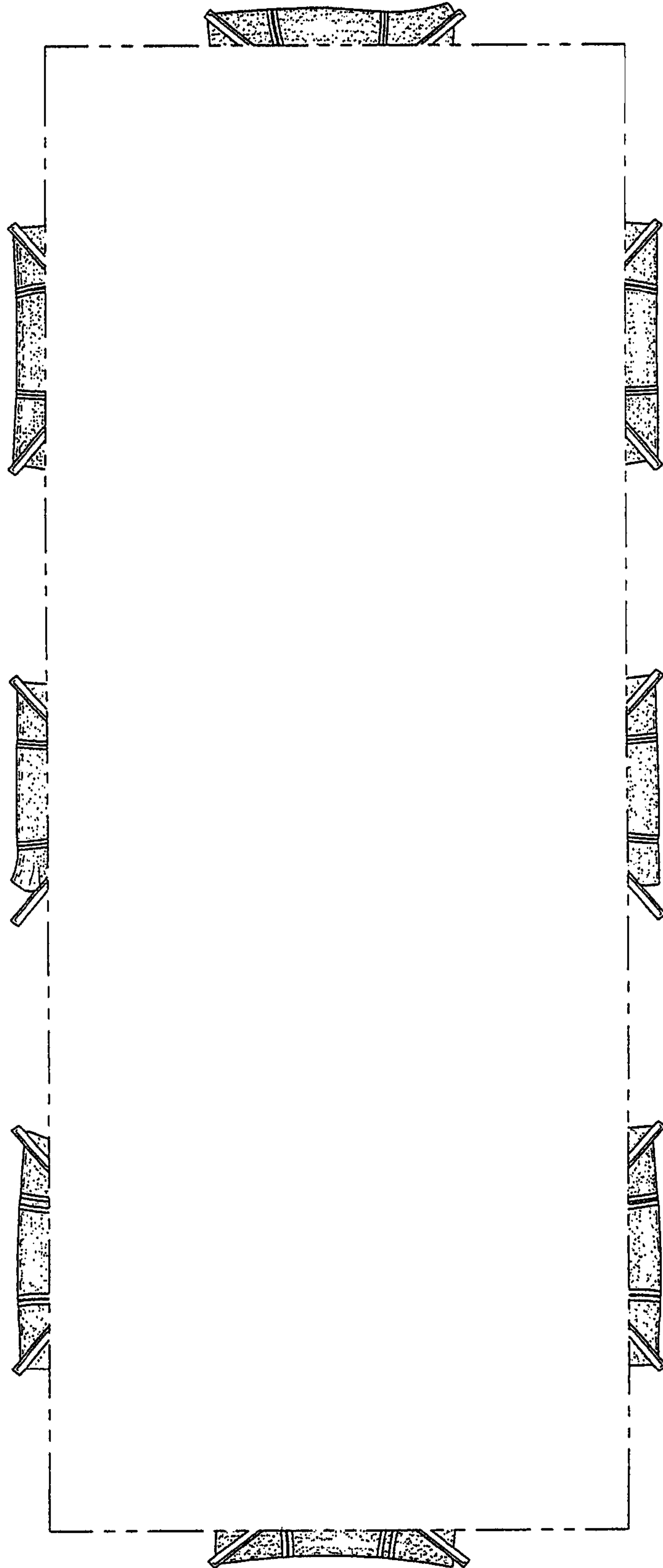


Fig. 6