



US00D661044S

(12) **United States Design Patent**
Richardson et al.

(10) **Patent No.:** **US D661,044 S**
(45) **Date of Patent:** **** May 29, 2012**

(54) **PROTECTOR**

(75) Inventors: **Alexander Richardson**, Bournemouth (GB); **Alister James Richardson**, Bournemouth (GB)

(73) Assignee: **Chok-A-Blok Ltd.**, Dorset (GB)

(**) Term: **14 Years**

(21) Appl. No.: **29/406,330**

(22) Filed: **Nov. 11, 2011**

Related U.S. Application Data

(62) Division of application No. 29/380,206, filed on Dec. 1, 2010, now Pat. No. Des. 651,782.

(51) **LOC (9) Cl.** **12-05**

(52) **U.S. Cl.** **D34/35**

(58) **Field of Classification Search** D34/35;
D30/152; D29/101.1; 5/81.1 R, 84.1, 89.1,
5/88.1; D24/188, 190

See application file for complete search history.

(56) **References Cited**

U.S. PATENT DOCUMENTS

2,562,355	A *	7/1951	Grant	128/99.1
2,680,315	A *	6/1954	McHugh et al.	40/303
3,102,446	A *	9/1963	Raleigh	84/327
3,536,357	A *	10/1970	Murcott	297/485
4,384,372	A *	5/1983	Rector	2/300
4,413,358	A *	11/1983	Jimenez	2/321

4,782,535	A *	11/1988	Yewer et al.	2/321
4,964,401	A *	10/1990	Taigen	482/93
D336,566	S *	6/1993	Desjardins	D29/101.1
D622,179	S *	8/2010	Frye	D11/216
D629,583	S *	12/2010	Liljedahl	D34/35
D633,255	S *	2/2011	Foreman	D29/101.1
D636,964	S *	4/2011	Thomas et al.	D34/35
D650,958	S *	12/2011	Richardson et al.	D34/35
D651,782	S *	1/2012	Richardson et al.	D34/35

* cited by examiner

Primary Examiner — Cynthia Ramirez

(74) *Attorney, Agent, or Firm* — Baker & Hostetler LLP

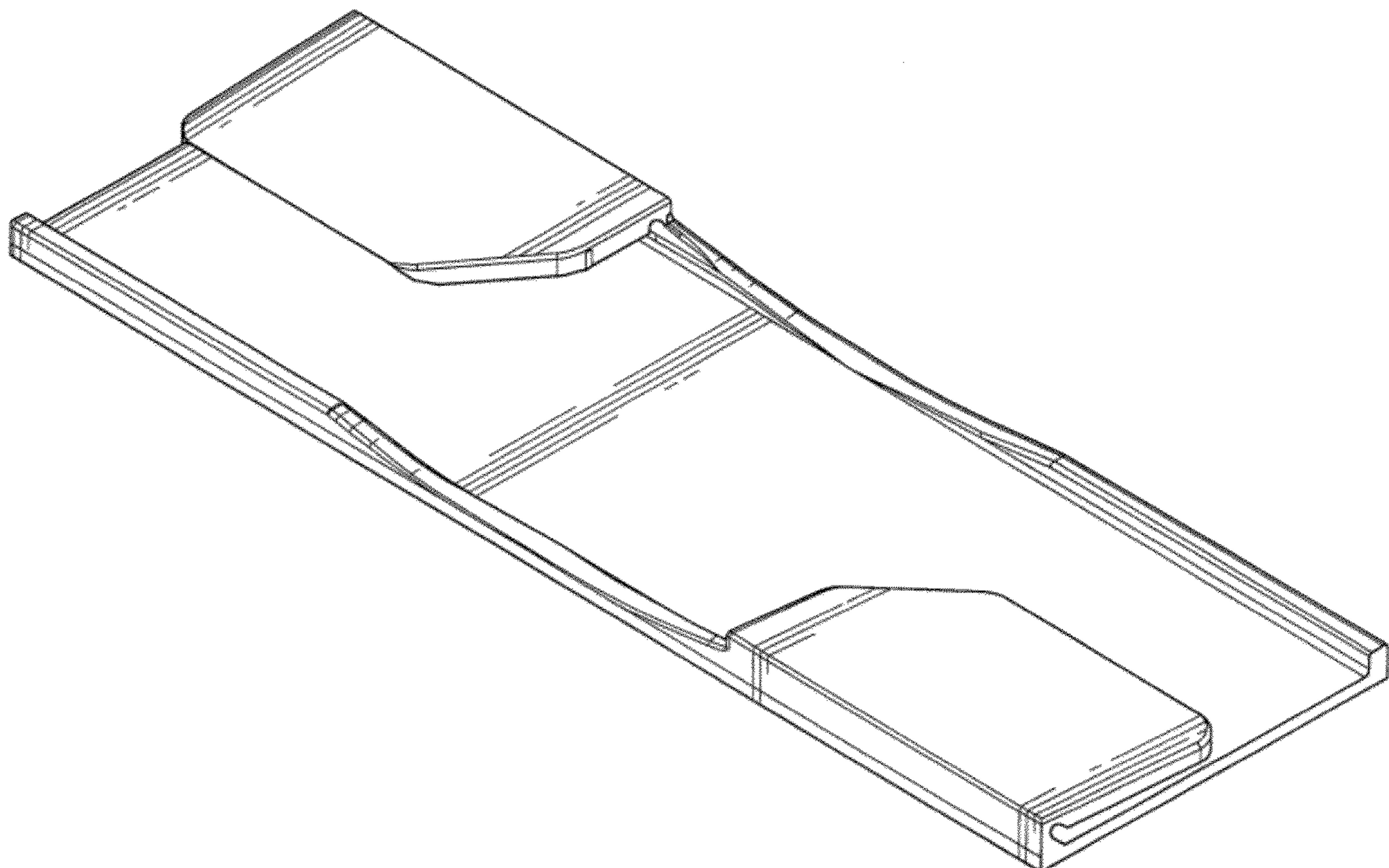
(57) **CLAIM**

We claim the ornamental design for a protector, as shown and described.

DESCRIPTION

FIG. 1 is a perspective view of a first embodiment of a protector showing our new design;
FIG. 2 is an end view of the design of FIG. 1;
FIG. 3 is a side view of the design of FIG. 1;
FIG. 4 is a top plan view of the design of FIG. 1;
FIG. 5 is a rear view of the design of FIG. 1;
FIG. 6 is a perspective view of a second embodiment of a protector showing our new design;
FIG. 7 is an end view of the design of FIG. 6;
FIG. 8 is a side view of the design of FIG. 6;
FIG. 9 is a top plan view of the design of FIG. 6; and,
FIG. 10 is a rear view of the design of FIG. 6.

1 Claim, 10 Drawing Sheets



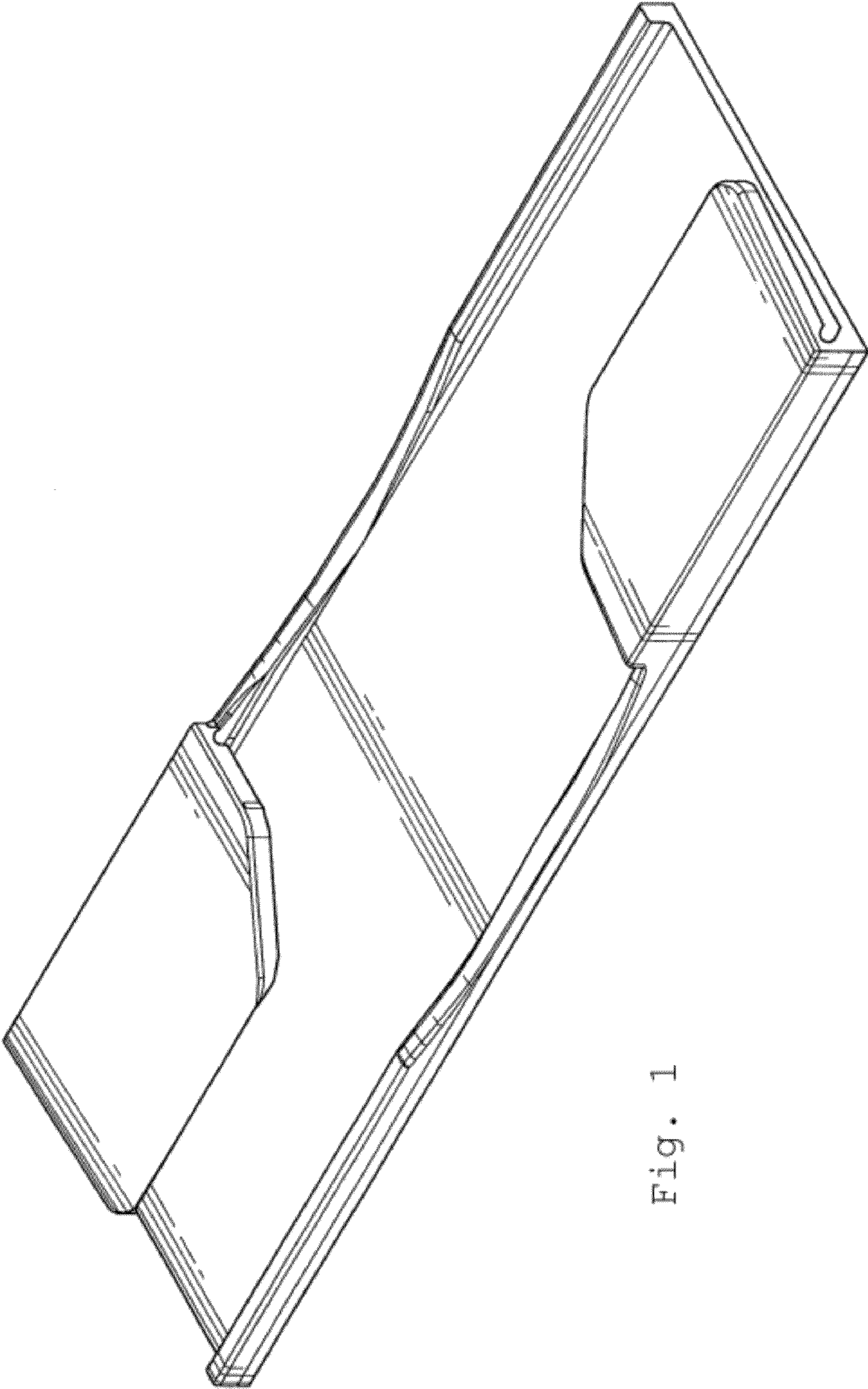


Fig. 1

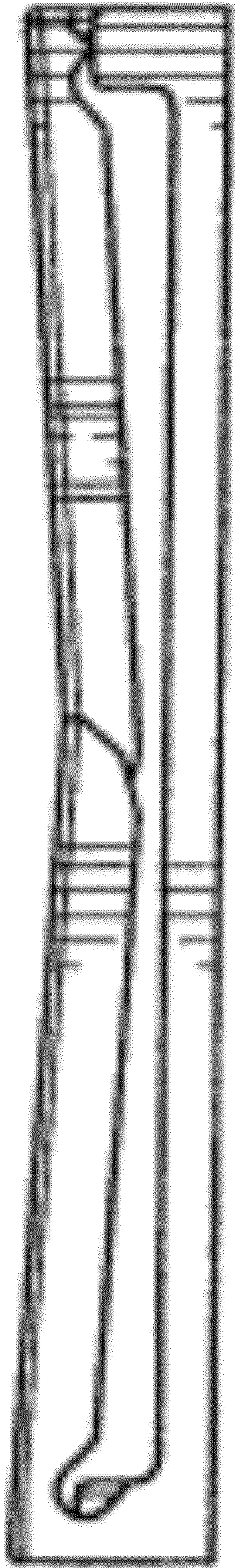


Fig. 2

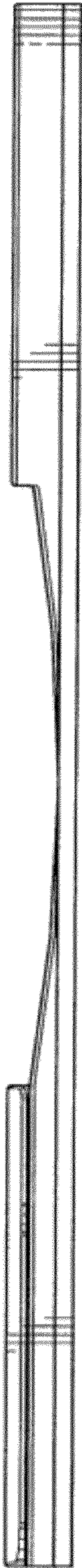


Fig. 3

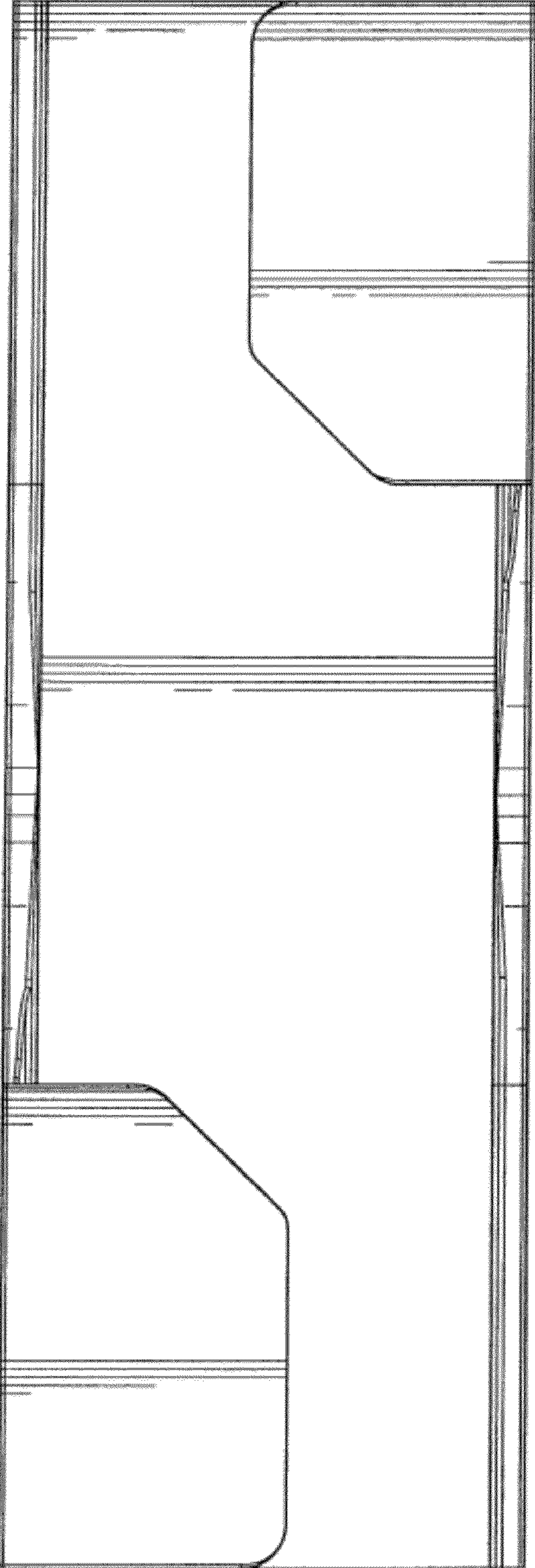


Fig. 4

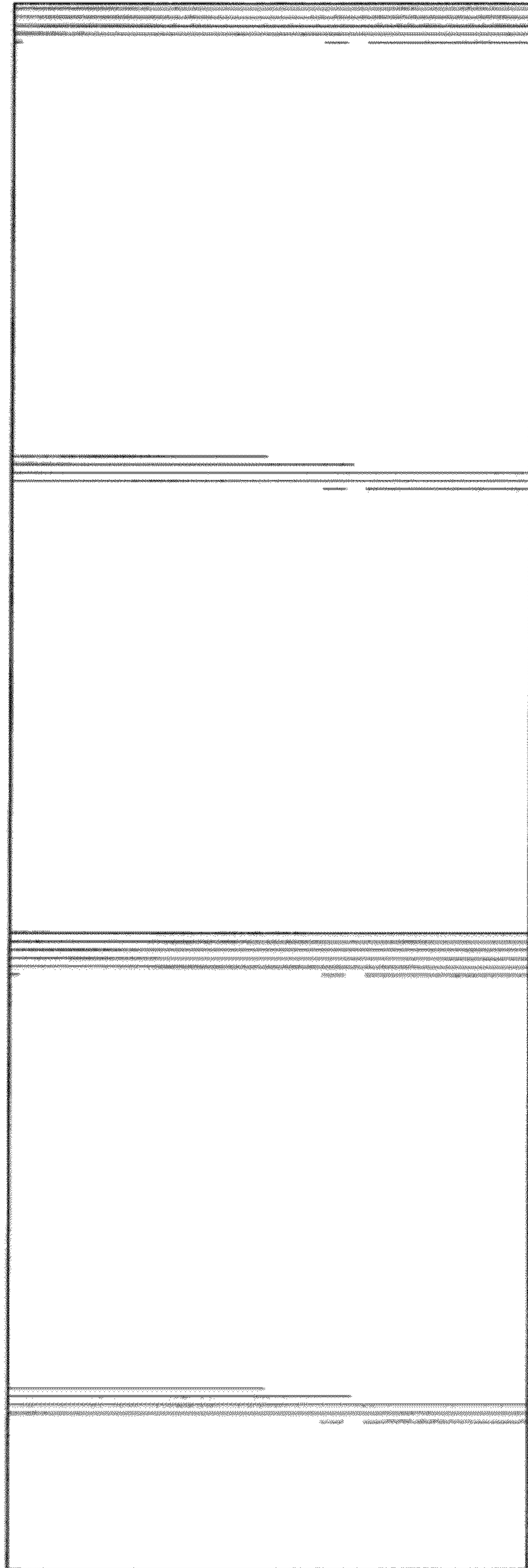


Fig. 5

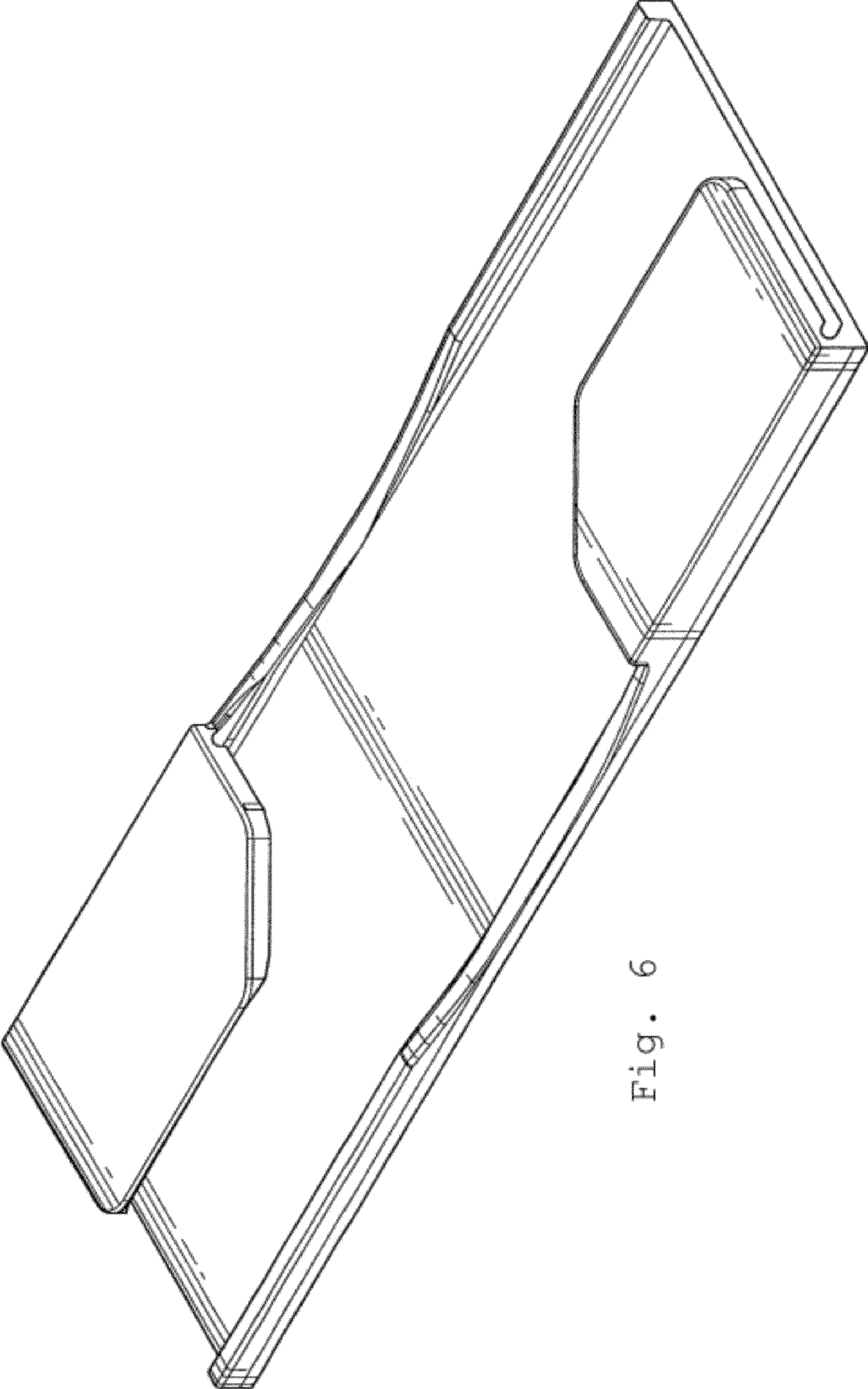


Fig. 6

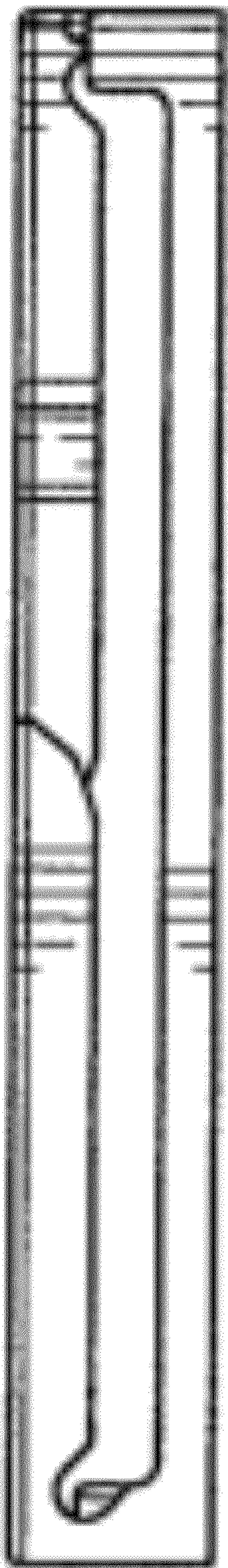


Fig. 7



Fig. 8

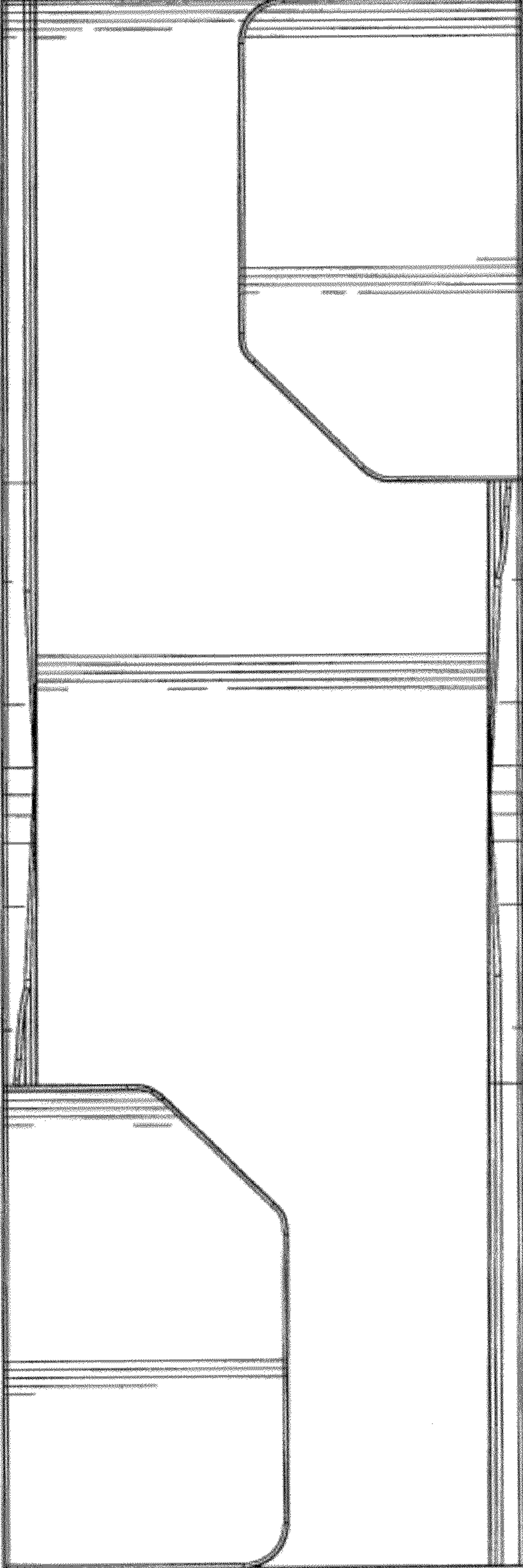


Fig. 9

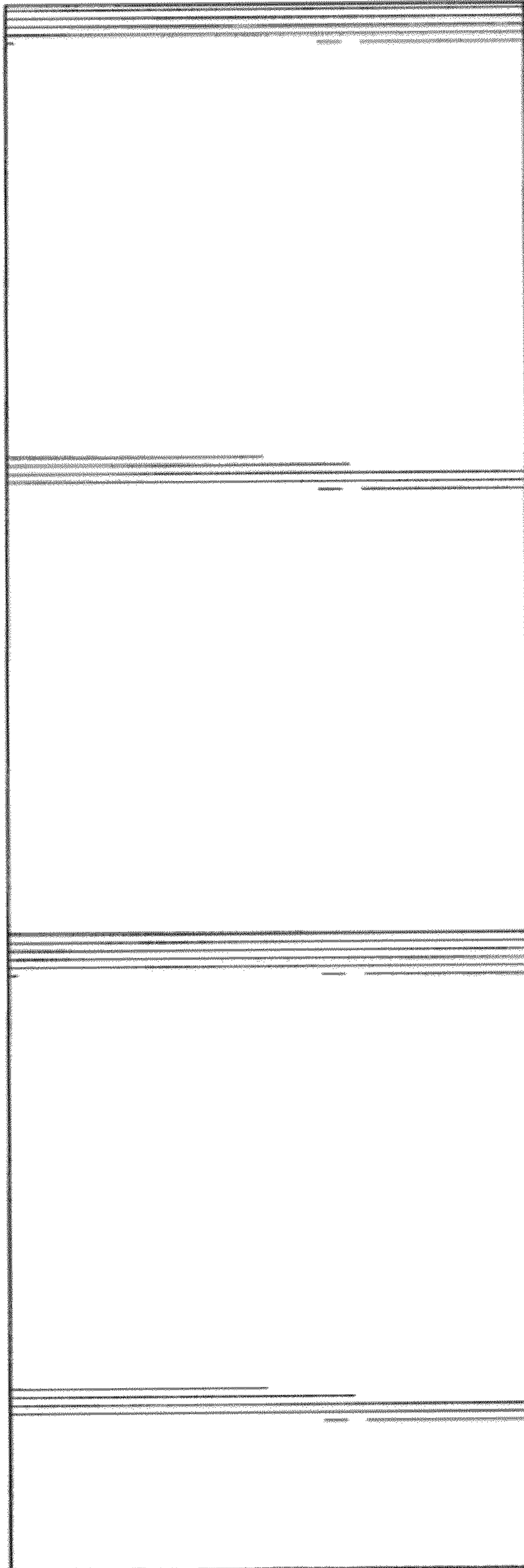


Fig. 10