



US00D661043S

(12) **United States Design Patent**
Brands

(10) **Patent No.:** **US D661,043 S**

(45) **Date of Patent:** **** May 29, 2012**

(54) **TROLLEY**

(75) **Inventor:** **Jasper Bob Peter Brands**, Deventer (NL)

(73) **Assignee:** **Driessen Aerospace Group N.V.**, Wieringerwerf (NL)

(**) **Term:** **14 Years**

(21) **Appl. No.:** **29/377,222**

(22) **Filed:** **Oct. 19, 2010**

(30) **Foreign Application Priority Data**

Apr. 19, 2010 (EP) 001696980-0001

(51) **LOC (9) Cl.** **12-02**

(52) **U.S. Cl.** **D34/19**

(58) **Field of Classification Search** D34/12-27;
280/79.3, 79.2, 47.35, 47.26, 79.11, 651,
280/33.998, 47.36

See application file for complete search history.

(56) **References Cited**

U.S. PATENT DOCUMENTS

D223,240	S	*	4/1972	Freedman	D34/19
D223,342	S	*	4/1972	Smith	D7/306
D224,888	S	*	10/1972	Freedman	D34/19
D230,257	S	*	2/1974	Corini	D34/19
3,877,744	A	*	4/1975	Miller	296/22
D238,300	S	*	12/1975	Klemm	D7/347
D240,629	S	*	7/1976	Cope	D24/177
4,775,002	A	*	10/1988	Iwamoto	165/47
4,936,377	A	*	6/1990	DeVogel et al.	165/47
D325,111	S	*	3/1992	Lindhardt et al.	D34/19
6,034,355	A	*	3/2000	Naderi et al.	219/387

6,131,404	A	*	10/2000	Hase et al.	62/384
6,234,498	B1	*	5/2001	Saku et al.	280/47.34
7,444,830	B2	*	11/2008	Moran et al.	62/371
7,544,915	B2	*	6/2009	Hu	219/387
7,556,271	B2	*	7/2009	Robbins et al.	280/47.35
7,611,157	B2	*	11/2009	Robbins et al.	280/47.35
7,942,430	B2	*	5/2011	Van Loon et al.	280/47.34
2005/0193760	A1	*	9/2005	Moran et al.	62/371
2005/0285360	A1	*	12/2005	Helin et al.	280/47.34
2010/0090429	A1	*	4/2010	Hartmann et al.	280/47.34
2010/0140890	A1	*	6/2010	Boivin et al.	280/47.34
2011/0025006	A1	*	2/2011	Knoppers	280/47.34

* cited by examiner

Primary Examiner — Cynthia Ramirez

(74) *Attorney, Agent, or Firm* — The Webb Law Firm

(57) **CLAIM**

The ornamental design for a trolley, as shown and described.

DESCRIPTION

FIG. 1 is a perspective view of a trolley showing my new design;

FIG. 2 is a front view thereof;

FIG. 3 is a right side view thereof, the left side view being identical;

FIG. 4 is a top view thereof;

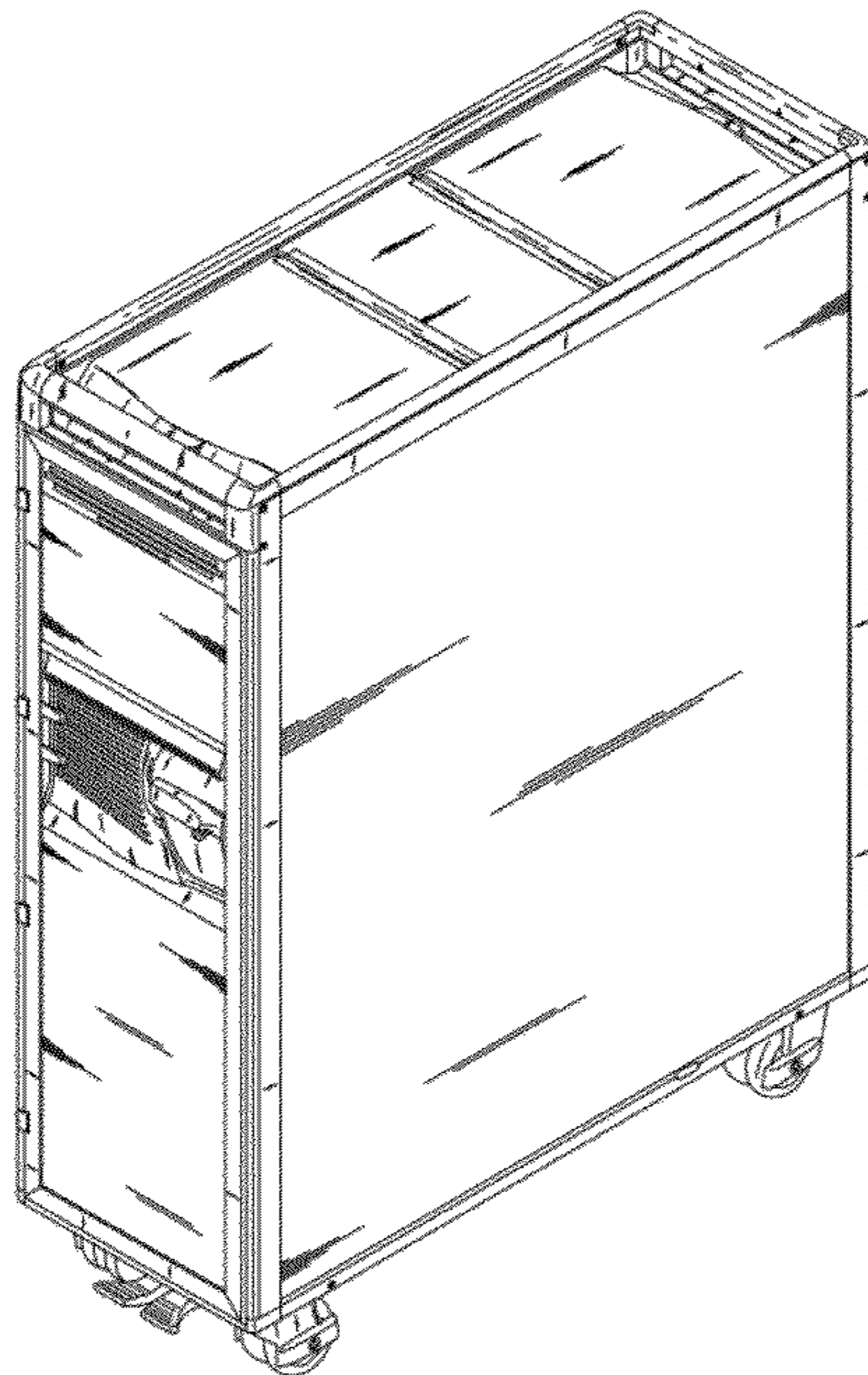
FIG. 5 is an enlarged perspective view thereof showing the handle of the trolley;

FIG. 6 is an enlarged perspective view thereof showing the top lid of the trolley;

FIG. 7 is an enlarged front view thereof showing a door portion of the trolley; and,

FIG. 8 is an enlarged front perspective view of the door portion shown in FIG. 7.

1 Claim, 8 Drawing Sheets



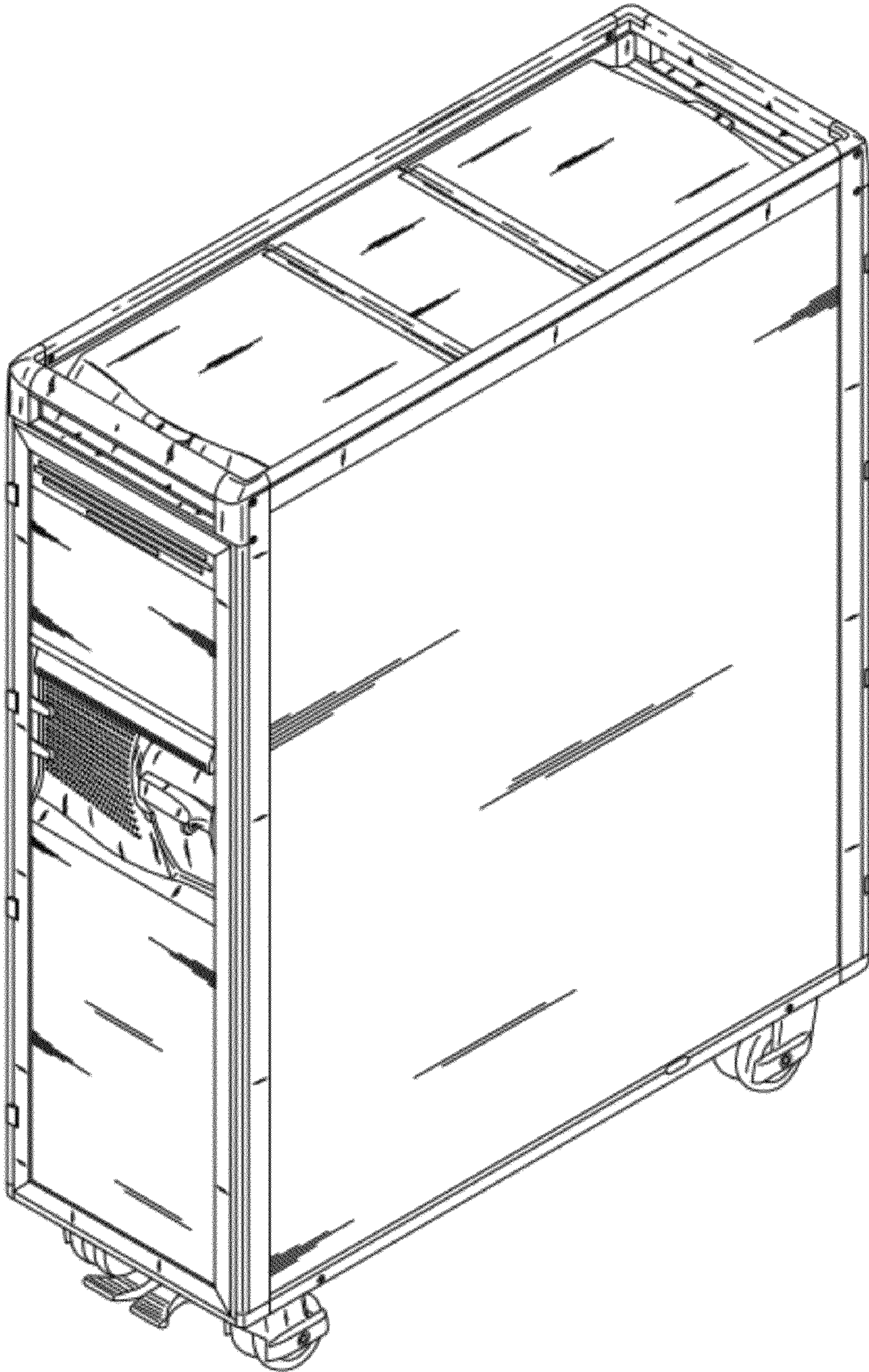


FIG. 1

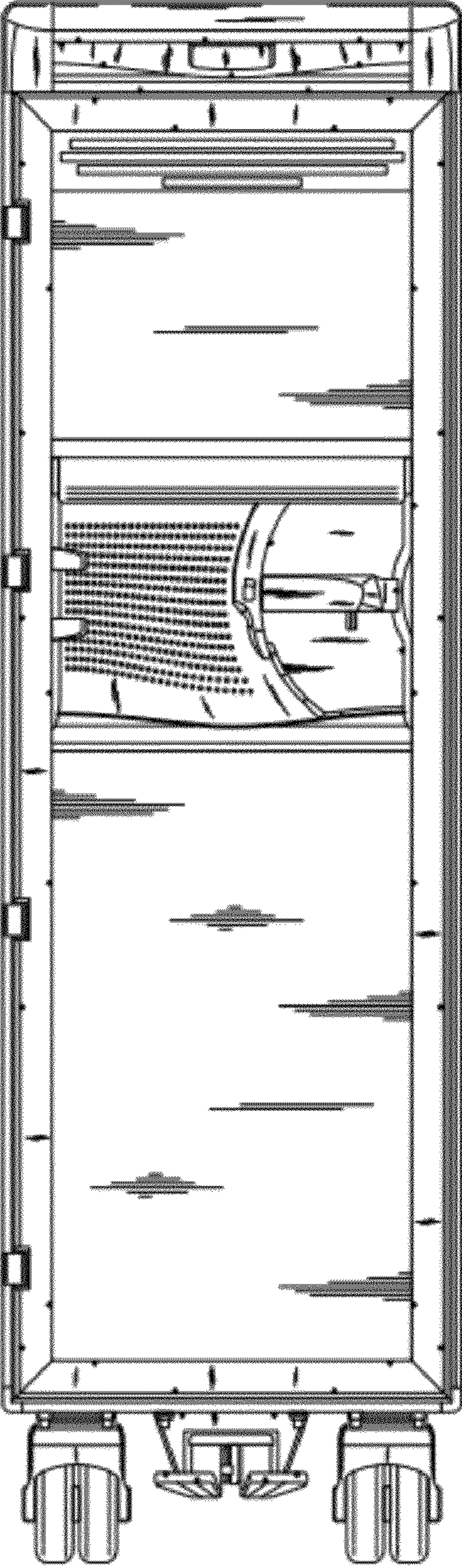


FIG. 2

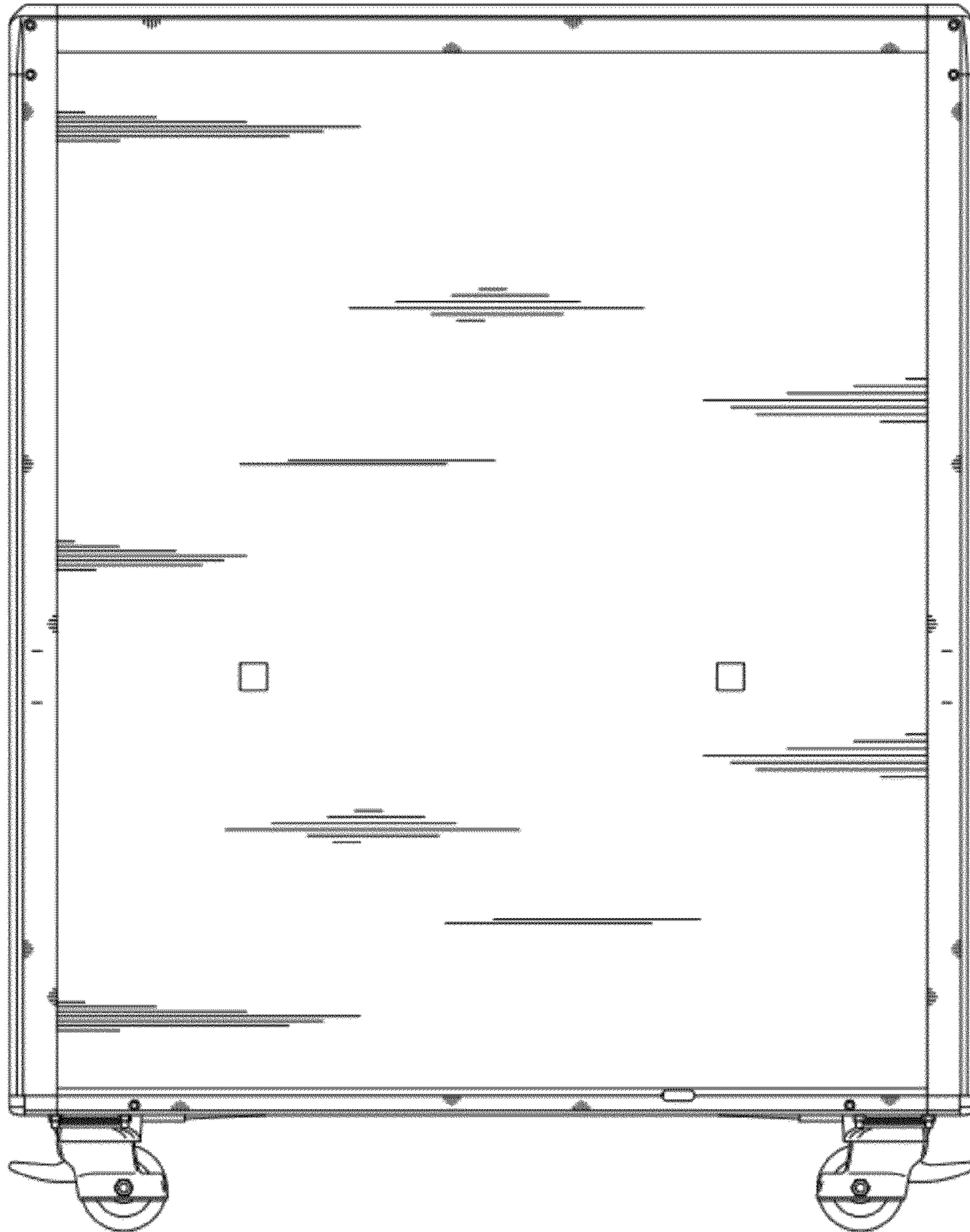


FIG. 3

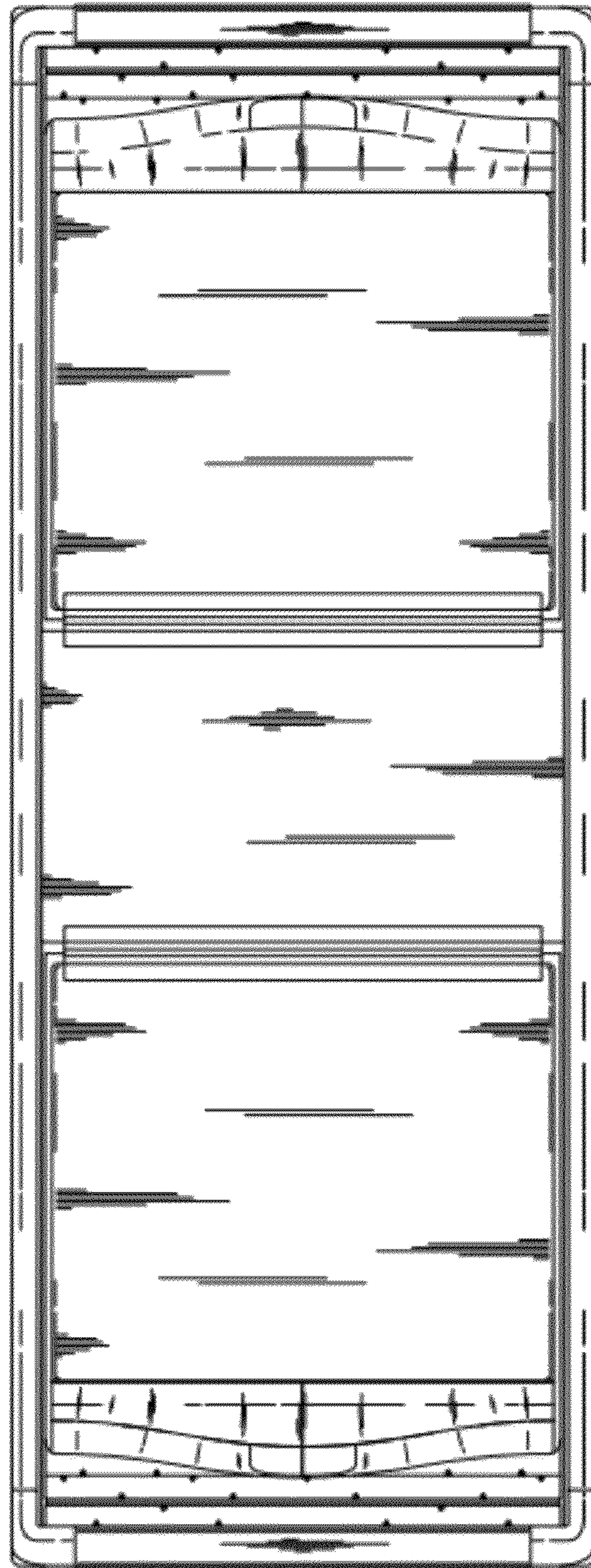


FIG. 4

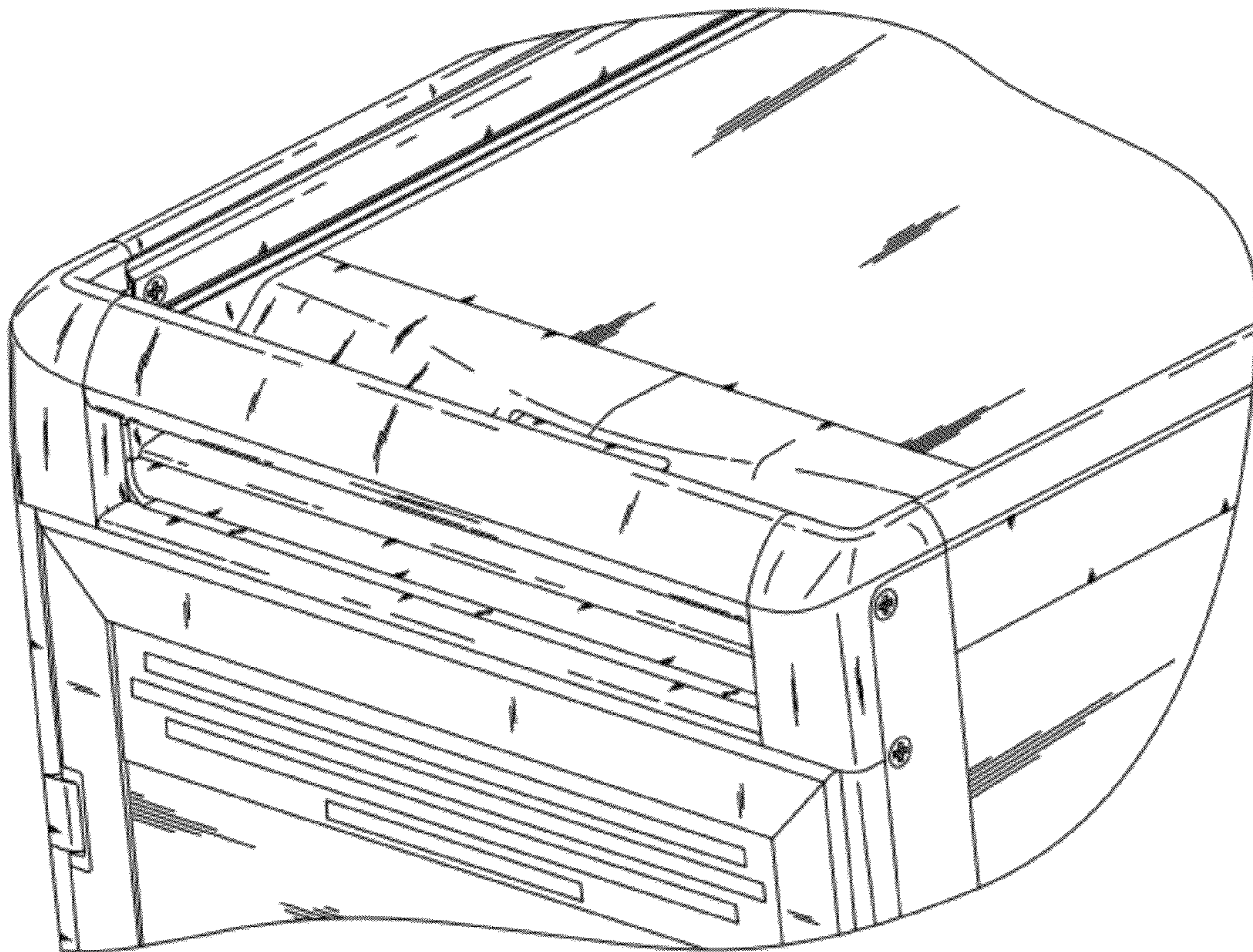


FIG. 5

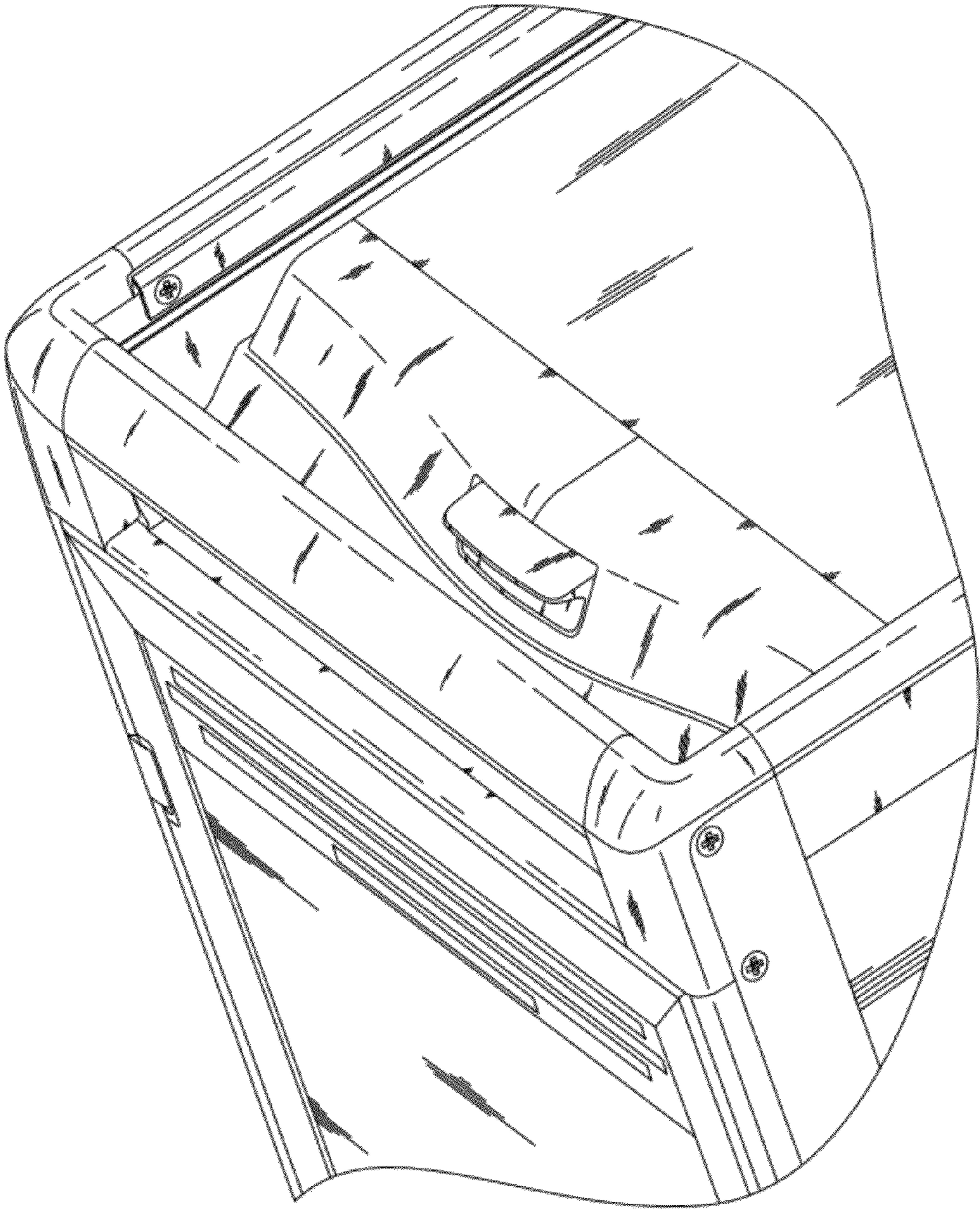


FIG. 6

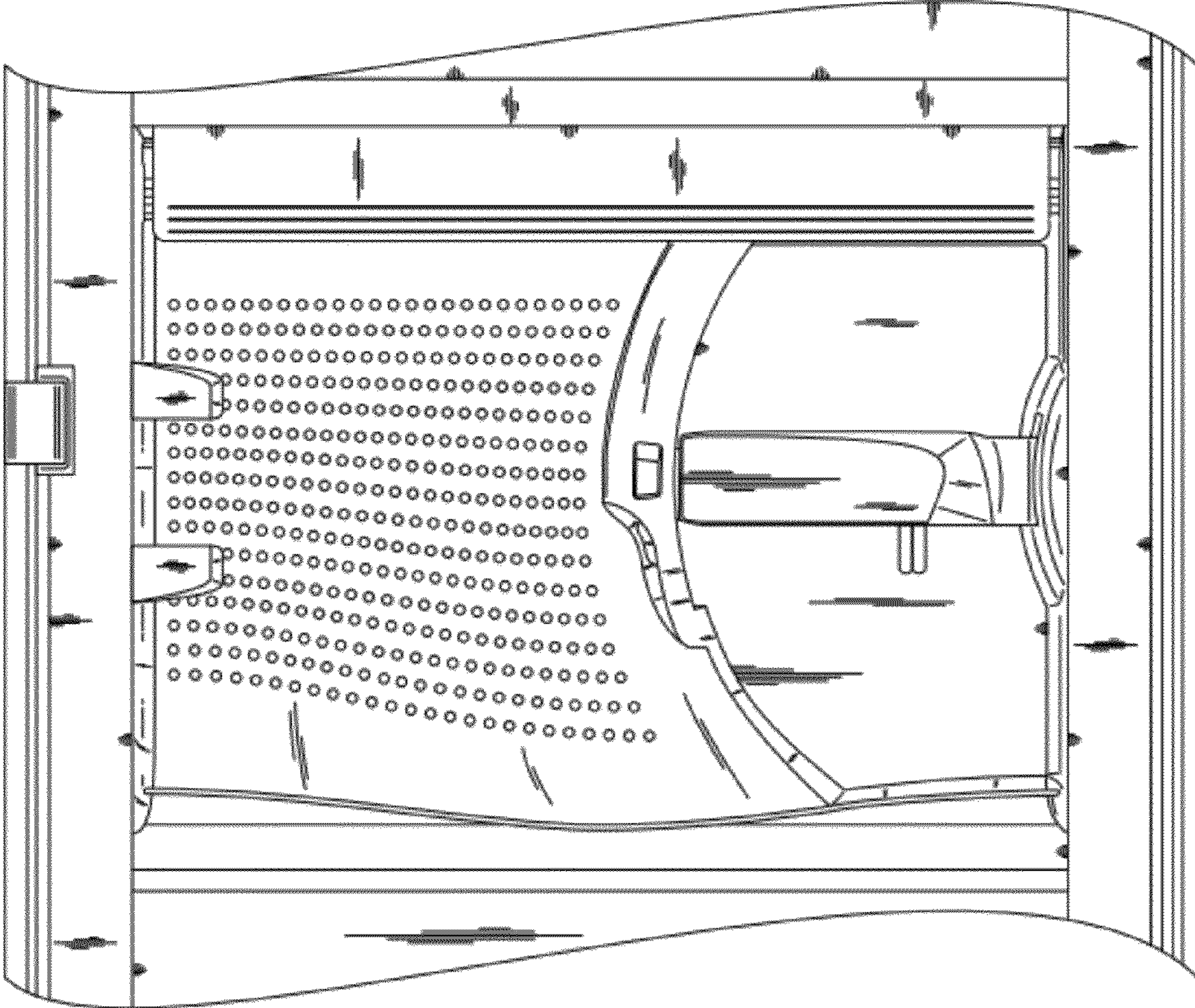


FIG. 7

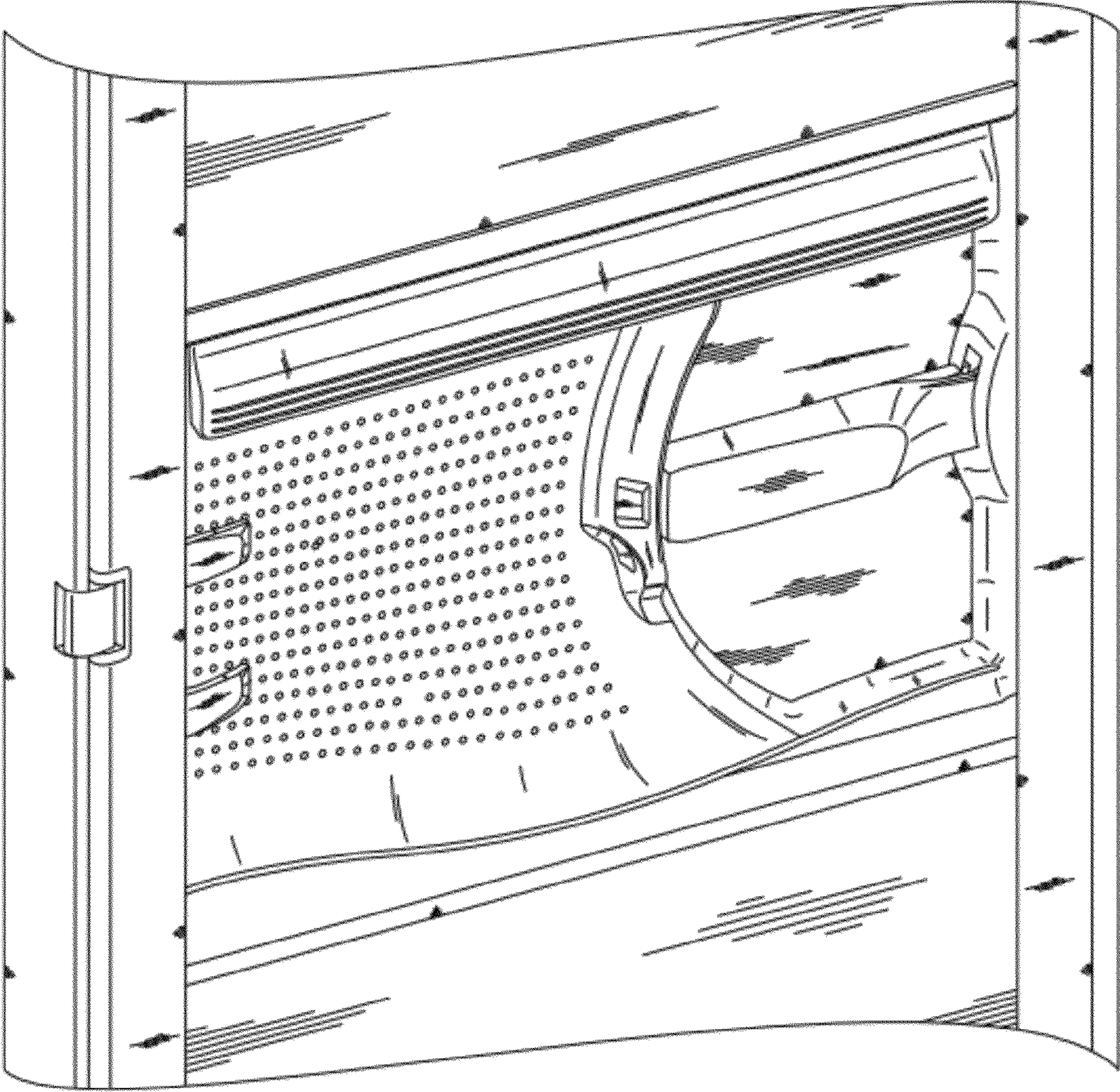


FIG. 8