

US00D661041S

(12) **United States Design Patent**  
**Van LANDINGHAM, Jr.**

(10) **Patent No.:** **US D661,041 S**

(45) **Date of Patent:** **\*\* May 29, 2012**

(54) **SIEVE AND LID**

(75) **Inventor:** **Alfred Reneau Van LANDINGHAM, Jr.,**  
Winchester, VA (US)

(73) **Assignee:** **Rubbermaid Commercial Products,**  
LLC, Winchester, VA (US)

(\*\*) **Term:** **14 Years**

(21) **Appl. No.:** **29/379,355**

(22) **Filed:** **Nov. 18, 2010**

(51) **LOC (9) Cl.** ..... **07-07**

(52) **U.S. Cl.** ..... **D32/53; D32/54**

(58) **Field of Classification Search** ..... D32/53,  
D32/53.1, 54; 15/260, 261, 262, 264, 257.06;  
209/38, 44

See application file for complete search history.

(56) **References Cited**

**U.S. PATENT DOCUMENTS**

D264,147 S *	5/1982	Heath	.....	D32/54
4,472,269 A *	9/1984	Swick	.....	209/44
D362,804 S *	10/1995	Warren	.....	D32/54
D398,663 S *	9/1998	Frelander	.....	D21/532
D407,878 S *	4/1999	Carlson	.....	D32/53
D426,362 S *	6/2000	Kent	.....	D32/53
D548,913 S *	8/2007	Van LANDINGHAM, Jr.	.....	D32/53

\* cited by examiner

*Primary Examiner* — Robin V Webster

(74) *Attorney, Agent, or Firm* — Matthew W. Witsil;  
Moore & Van Allen PLLC

(57) **CLAIM**

The ornamental design for a sieve and lid, as shown and described.

**DESCRIPTION**

FIG. 1 is a perspective view of a sieve and lid showing an embodiment of our new design with the lid in an open position;

FIG. 2 is a top view of the sieve and lid as shown in FIG. 1; FIG. 3 is a bottom view of the sieve and lid as shown in FIG. 1;

FIG. 4 is a left view of the sieve and lid as shown in FIG. 1; FIG. 5 is a right view of the sieve and lid as shown in FIG. 1; FIG. 6 is a front view of the sieve and lid as shown in FIG. 1;

FIG. 7 is a rear view of the sieve and lid as shown in FIG. 1; FIG. 8 is a perspective view of a sieve and lid showing the embodiment of our new design shown in FIG. 1 with the lid in closed position;

FIG. 9 is a top view of the sieve and lid as shown in FIG. 8; FIG. 10 is a bottom view of the sieve and lid as shown in FIG. 8;

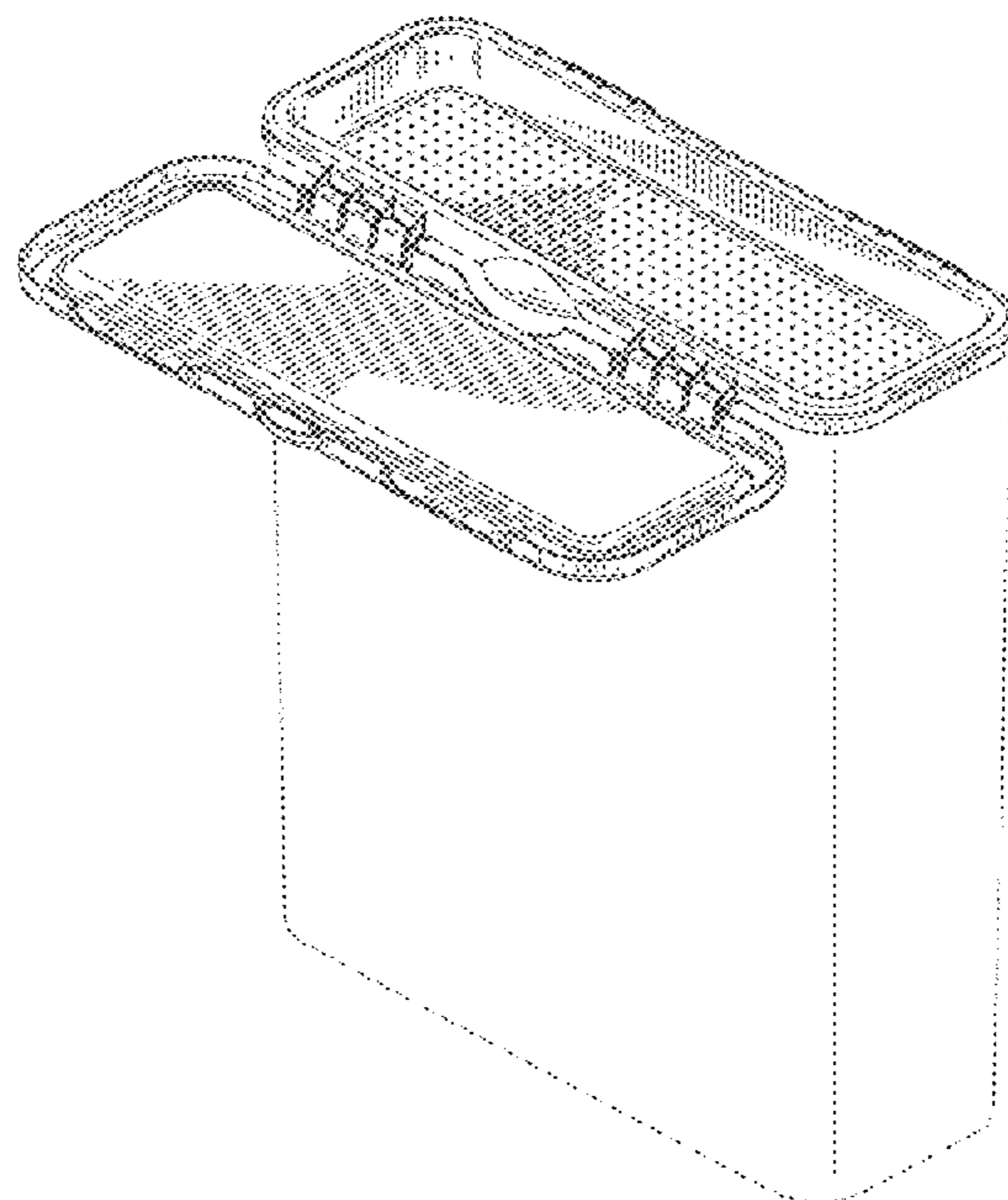
FIG. 11 is a left view of the sieve and lid as shown in FIG. 8; FIG. 12 is a right view of the sieve and lid as shown in FIG. 8; FIG. 13 is a front view of the sieve and lid as shown in FIG. 8;

FIG. 14 is a rear view of the sieve and lid as shown in FIG. 8; FIG. 15 is a perspective view of a sieve and lid as shown in FIG. 1, in an exemplary position with an environmental feature; and,

FIG. 16 is a cross-section taken along line 16-16 of FIG. 2 including a depiction of exemplary holes of the plurality of holes shown in the figures.

The pattern of ellipses, small circles, or dots shown in the figures, for example, in FIGS. 1, 2, 3, 10, 14, and 15 represent holes that fully penetrate the base of the sieve, as shown with the exemplary holes of FIG. 16. The broken lines in the drawings are for illustrative purposes only to show environmental structure and form no part of the claimed design.

**1 Claim, 12 Drawing Sheets**



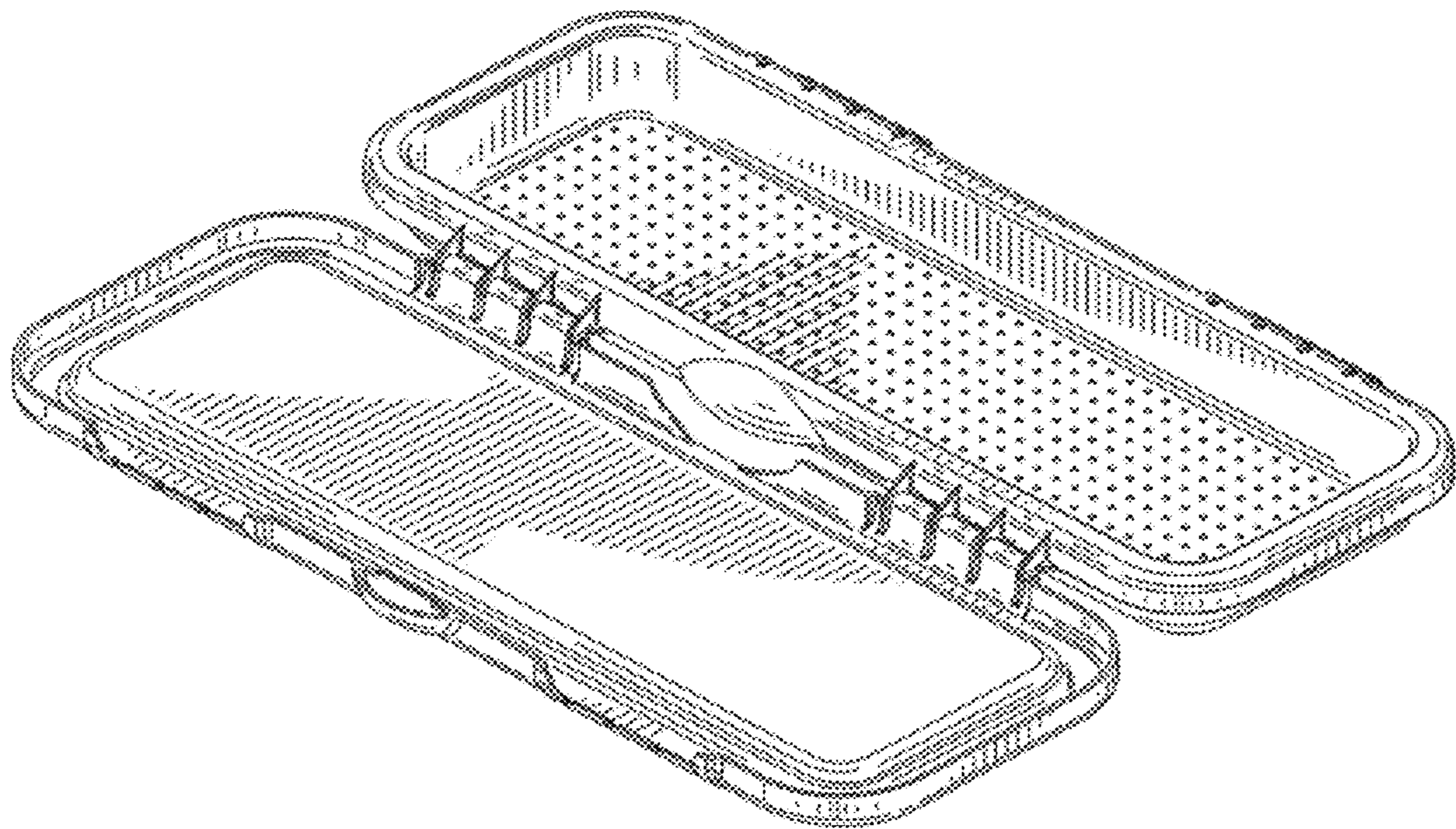


FIG. 1



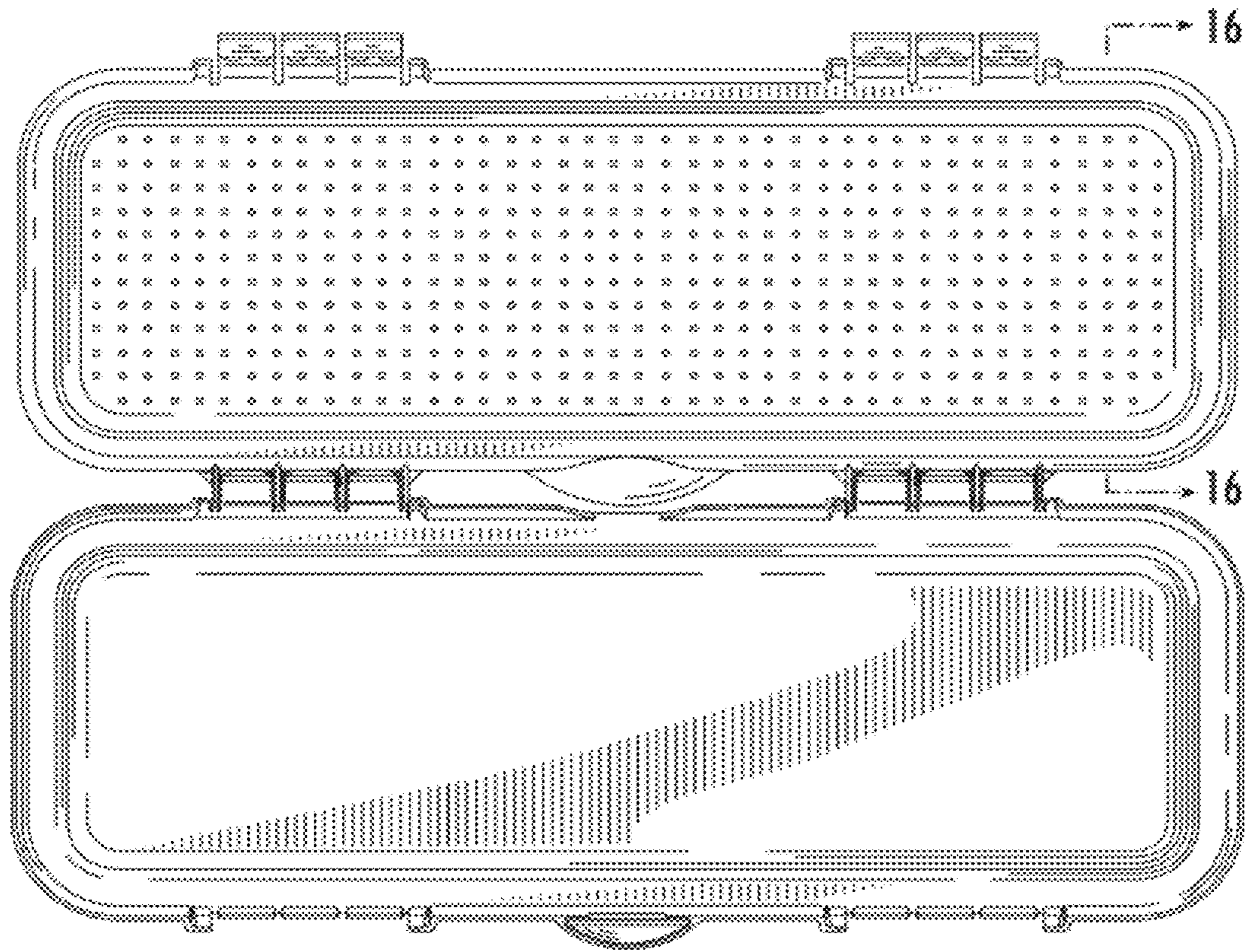


FIG. 2

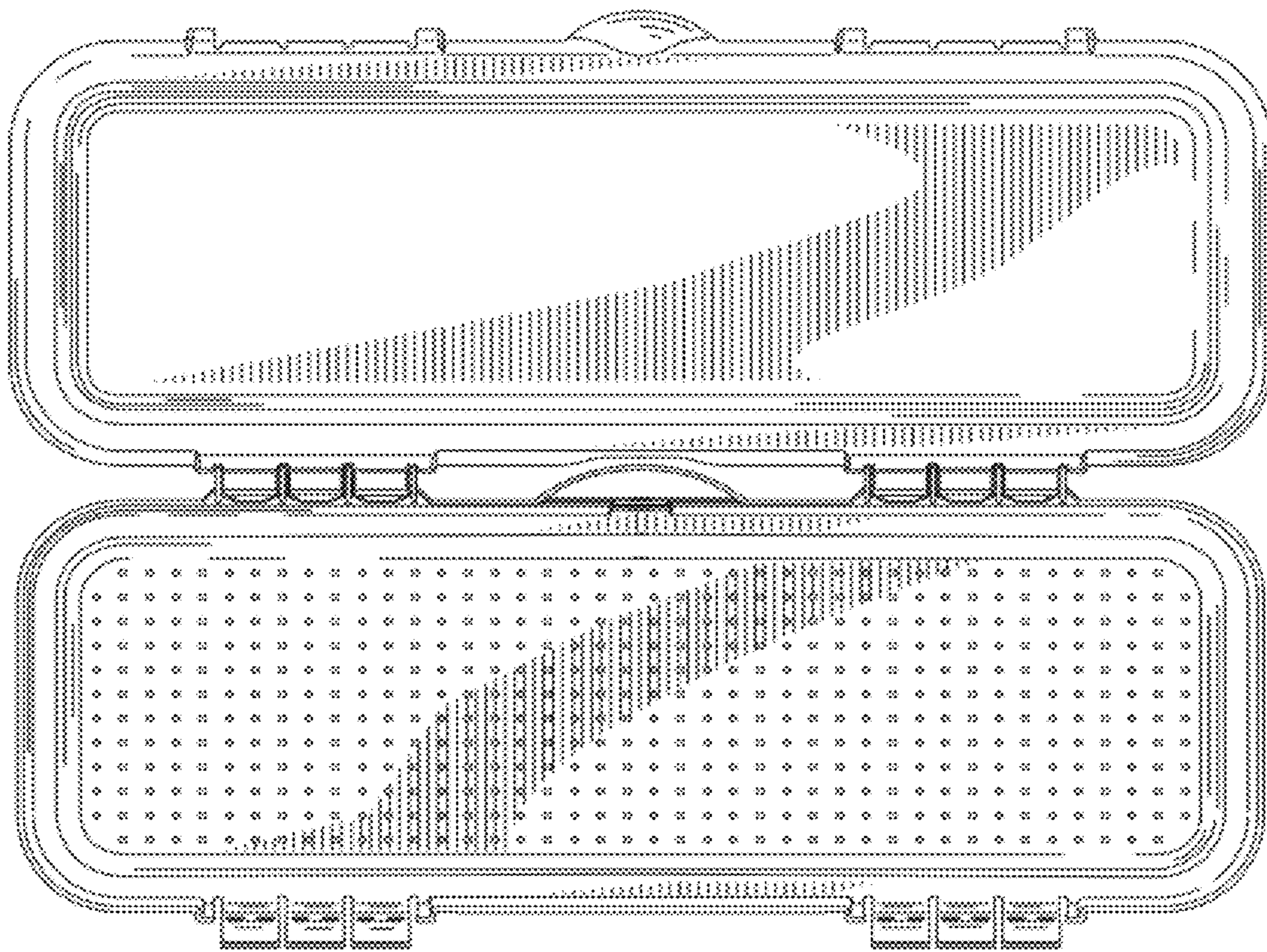


FIG. 3

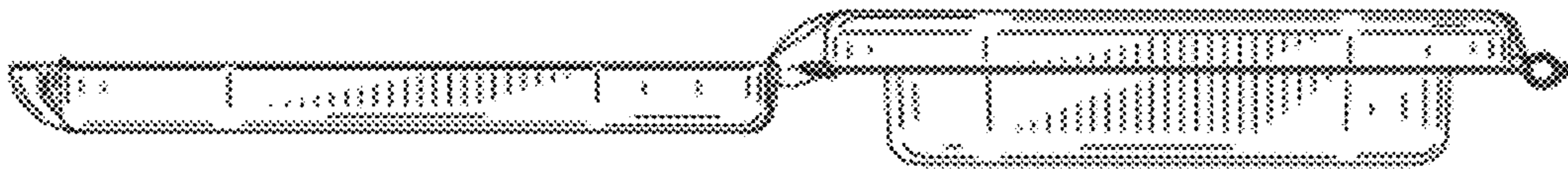


FIG. 4



FIG. 5





FIG. 6

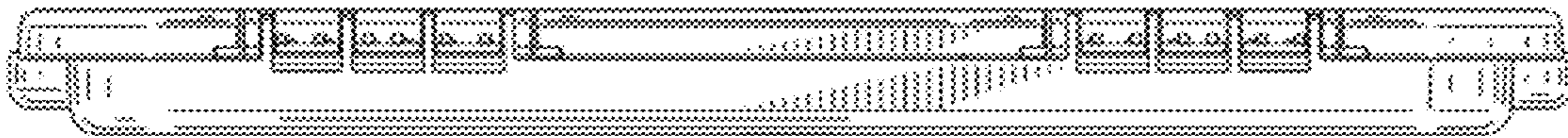


FIG. 7

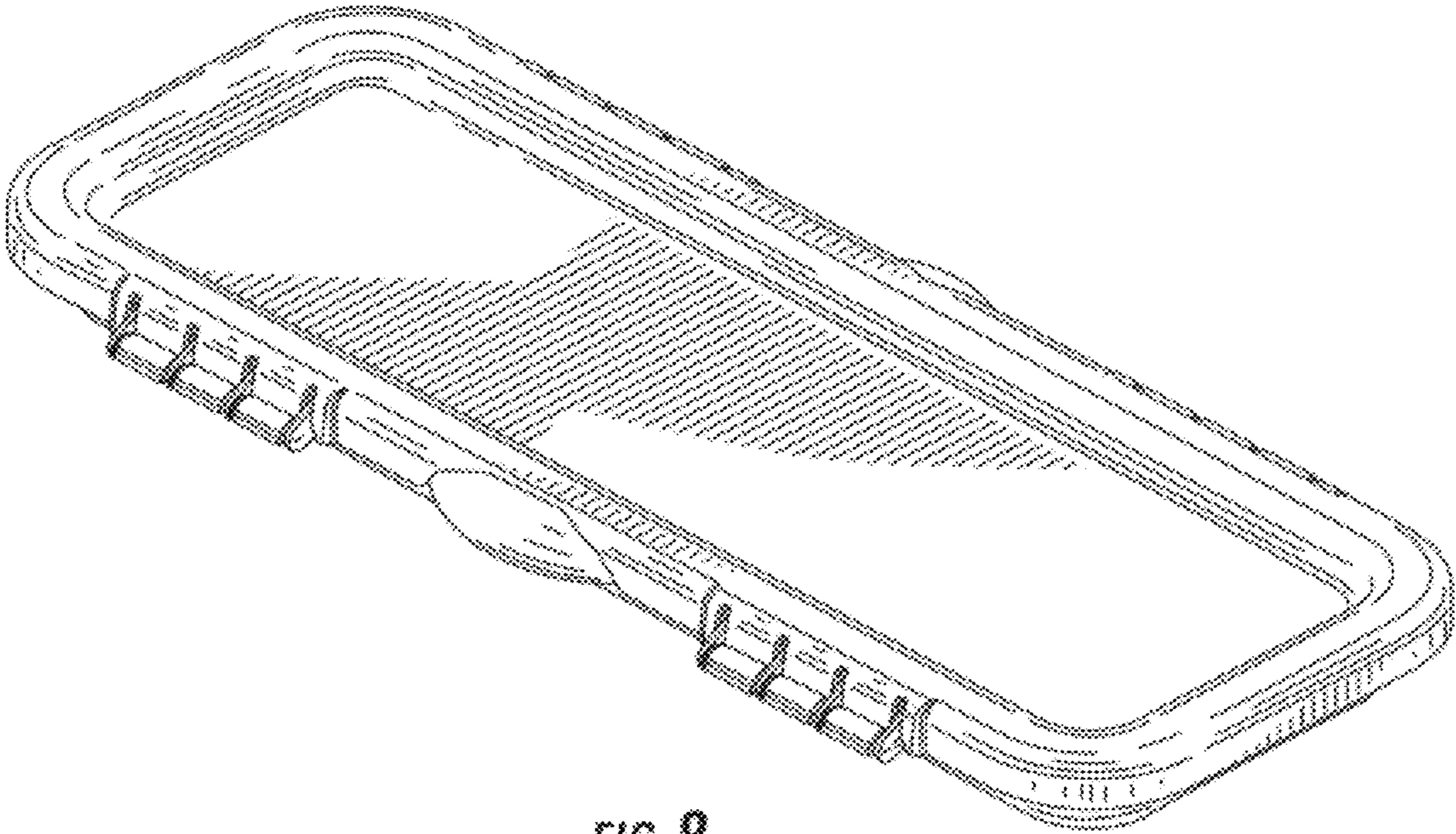


FIG. 8

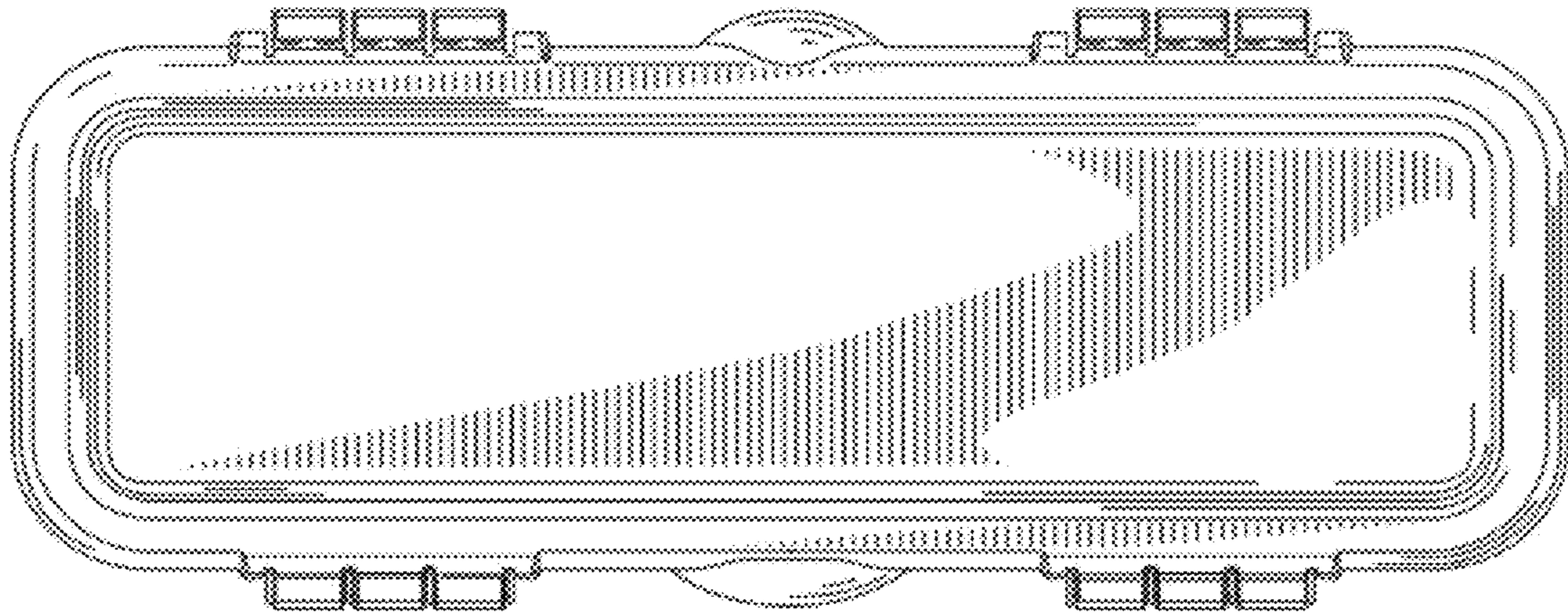


FIG. 9



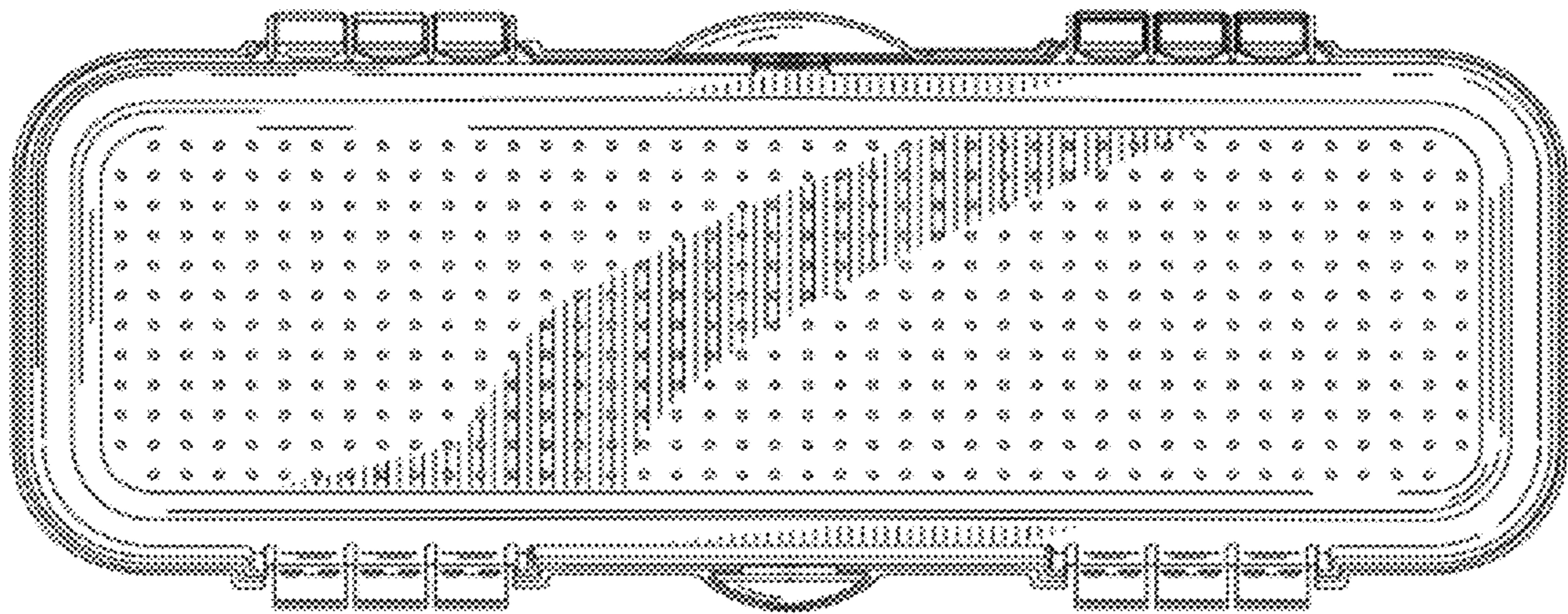
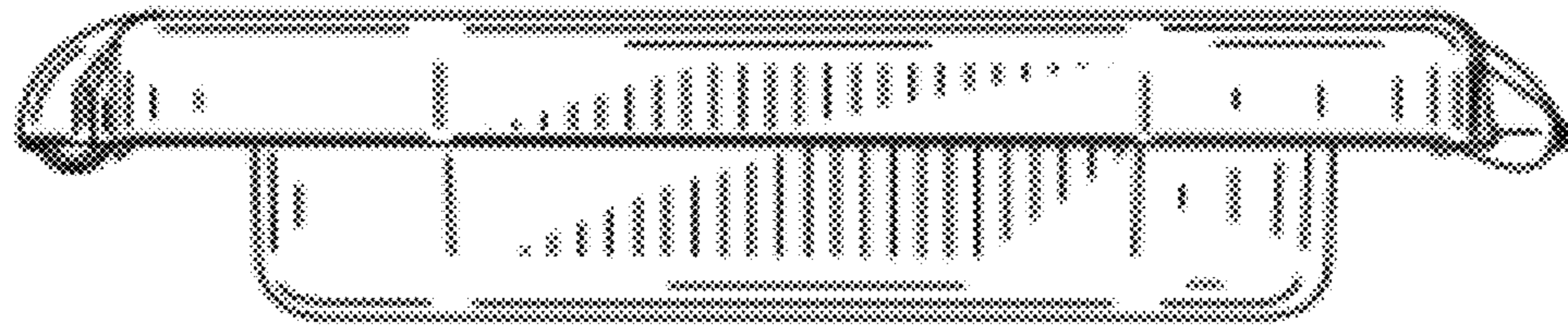
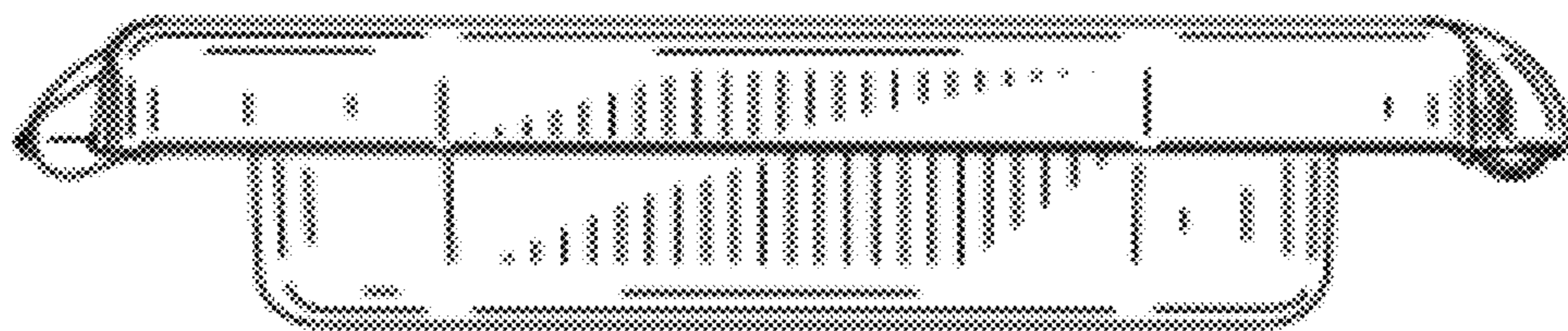


FIG. 10



**FIG. 11**



**FIG. 12**

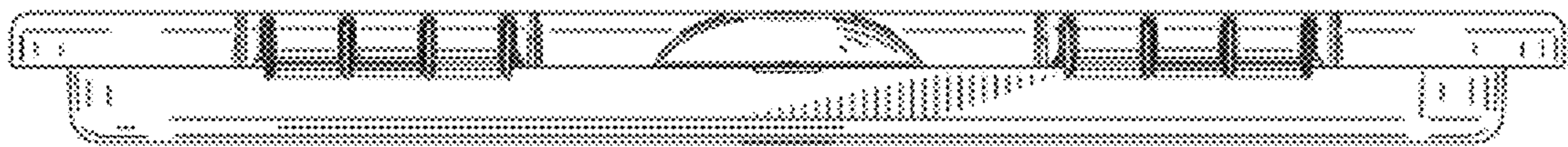


FIG. 13

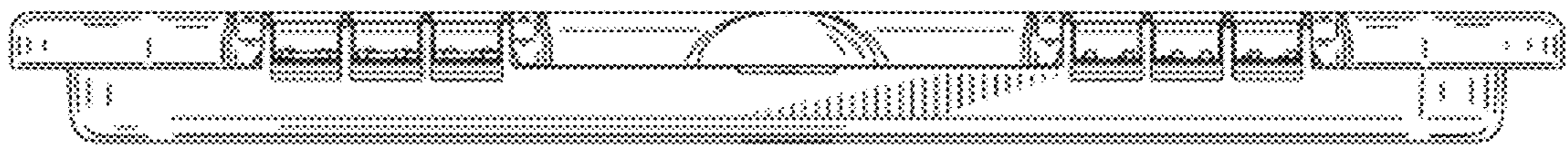


FIG. 14



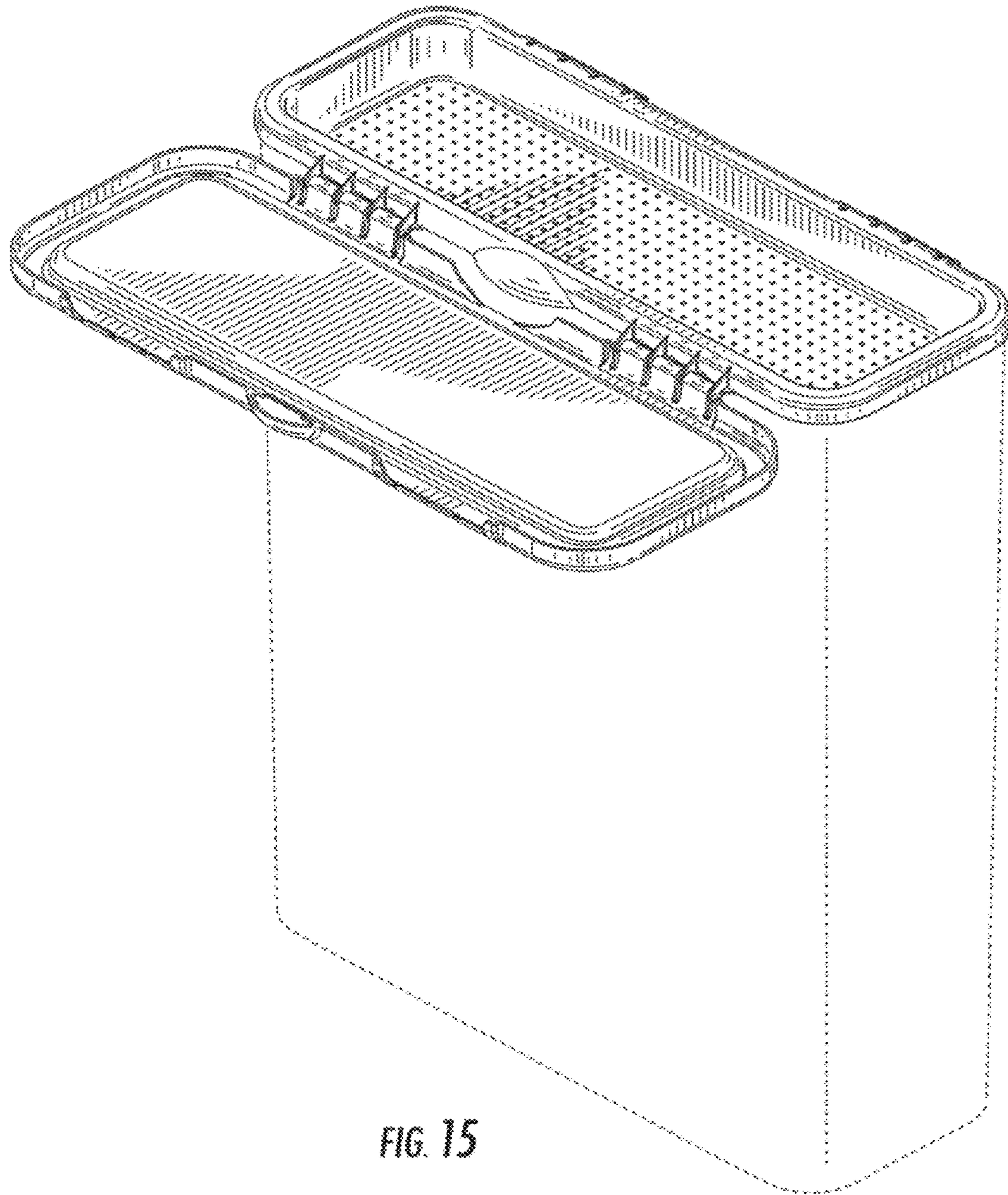


FIG. 15

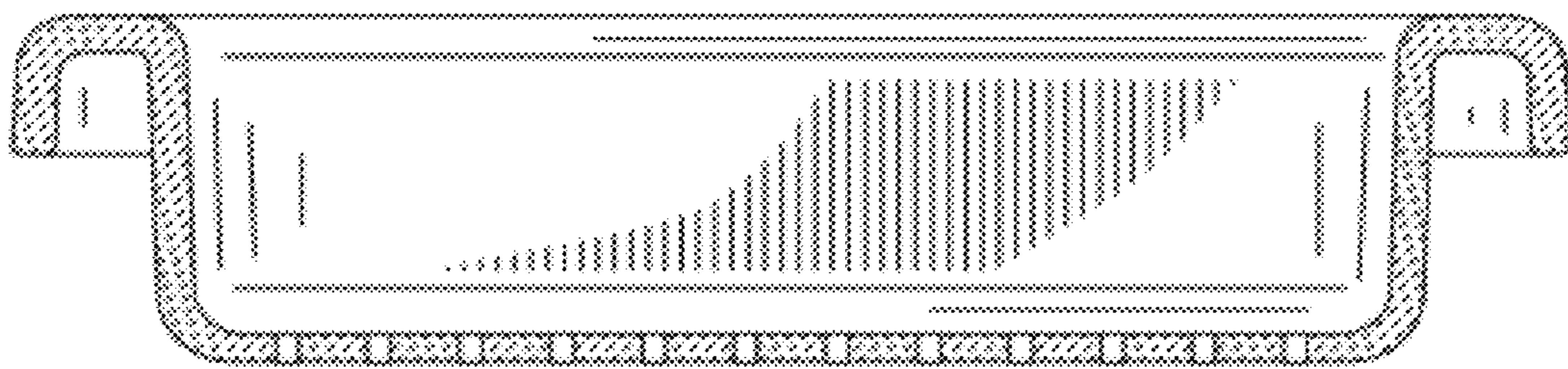


FIG. 16