



US00D661040S

(12) **United States Design Patent**
Pellacini

(10) **Patent No.:** **US D661,040 S**

(45) **Date of Patent:** **** May 29, 2012**

(54) **MOP HEAD**

(75) Inventor: **Roberto Pellacini**, Torrechiara
Langhirano (IT)

(73) Assignee: **The Libman Company**, Arcola, IL (US)

(**) Term: **14 Years**

(21) Appl. No.: **29/399,071**

(22) Filed: **Aug. 9, 2011**

Related U.S. Application Data

(63) Continuation of application No. 13/191,133, filed on
Jul. 26, 2011.

(51) **LOC (9) Cl.** **04-01**

(52) **U.S. Cl.** **D32/50; D32/52**

(58) **Field of Classification Search** D32/40-45,
D32/50-52; 15/118, 244.1, 244.2, 244.3,
15/244.4, 116.1, 116.2, 119.1, 119.2, 104.9,
15/228, 229.2, 229.4; 401/135-140

See application file for complete search history.

(56) **References Cited**

U.S. PATENT DOCUMENTS

D280,769	S	*	9/1985	Johnson et al.	D32/44
4,552,476	A	*	11/1985	Heraty et al.	401/136
D295,912	S	*	5/1988	Jones et al.	D32/44
D302,759	S	*	8/1989	Batchelor	D32/44
D334,263	S		3/1993	Torres		
D389,625	S	*	1/1998	Feldman et al.	D32/49
D401,702	S		11/1998	Berti		
D410,783	S	*	6/1999	Camp et al.	D32/44
6,026,530	A	*	2/2000	Camp, Jr.	15/119.2
6,061,863	A		5/2000	Chen		
D480,564	S	*	10/2003	Petner	D4/199
D497,228	S		10/2004	Berti		

D497,229	S		10/2004	Berti		
D497,230	S		10/2004	Berti		
D520,698	S		5/2006	Libman et al.		
D531,367	S	*	10/2006	Hay	D32/44
D544,161	S	*	6/2007	Weaver	D32/44
D548,908	S		8/2007	Berti		
7,260,864	B1	*	8/2007	Morad	15/116.2
7,334,285	B1	*	2/2008	Morad et al.	15/116.2
7,555,803	B2		7/2009	Libman		
D606,270	S	*	12/2009	Weis et al.	D32/50
D607,169	S	*	12/2009	Weis et al.	D32/50
7,748,074	B2	*	7/2010	Guizzi	15/245
2004/0187240	A1		9/2004	Berti et al.		

FOREIGN PATENT DOCUMENTS

EP 1142526 A1 10/2001

* cited by examiner

Primary Examiner — John Windmuller

(74) *Attorney, Agent, or Firm* — Banner & Witcoff, Ltd.

(57) **CLAIM**

The ornamental design for a mop head, as shown and described.

DESCRIPTION

FIG. 1 is a top, front, right perspective view of a mop head showing my new design;

FIG. 2 is a front view thereof;

FIG. 3 is a right side view thereof;

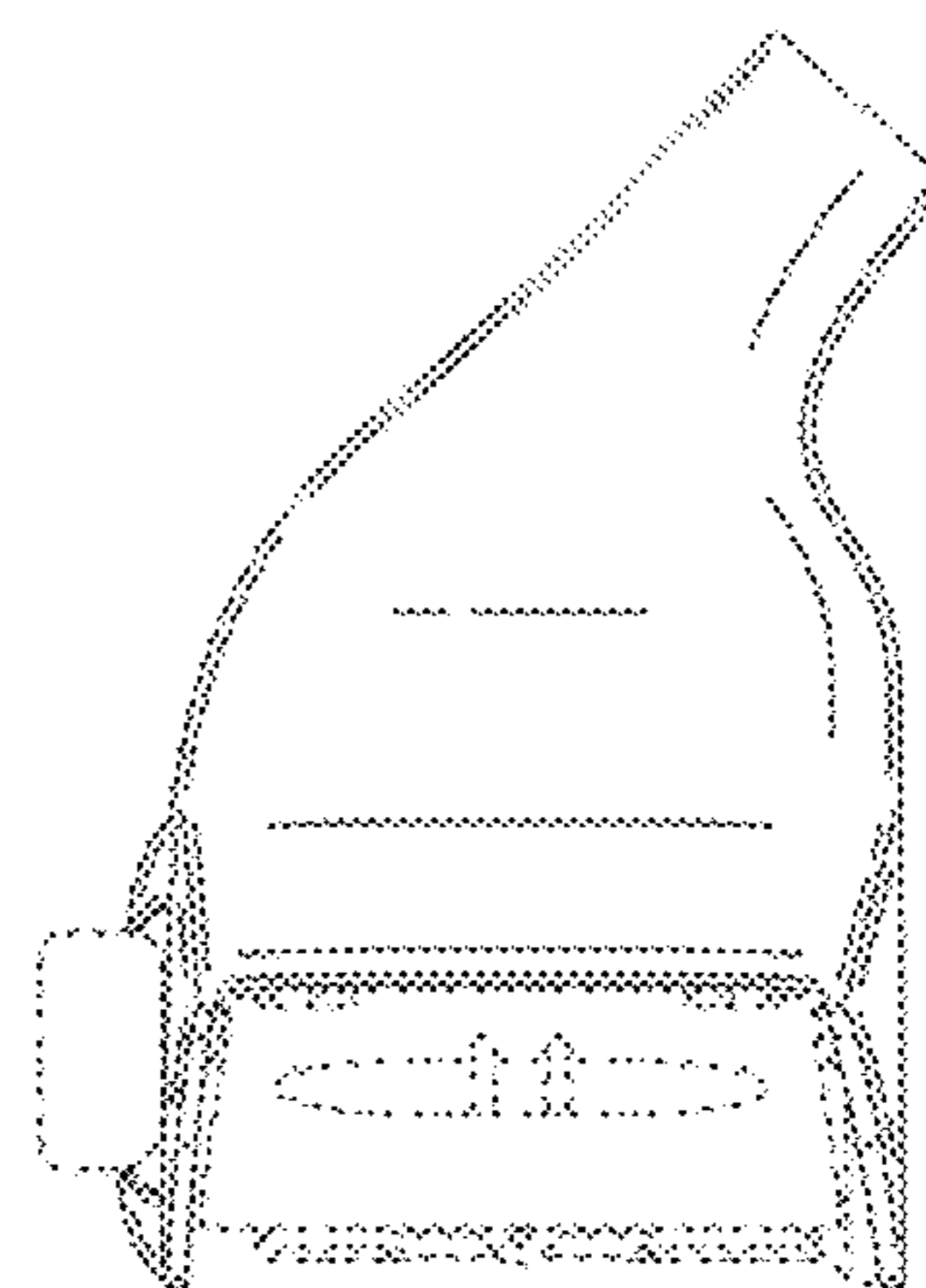
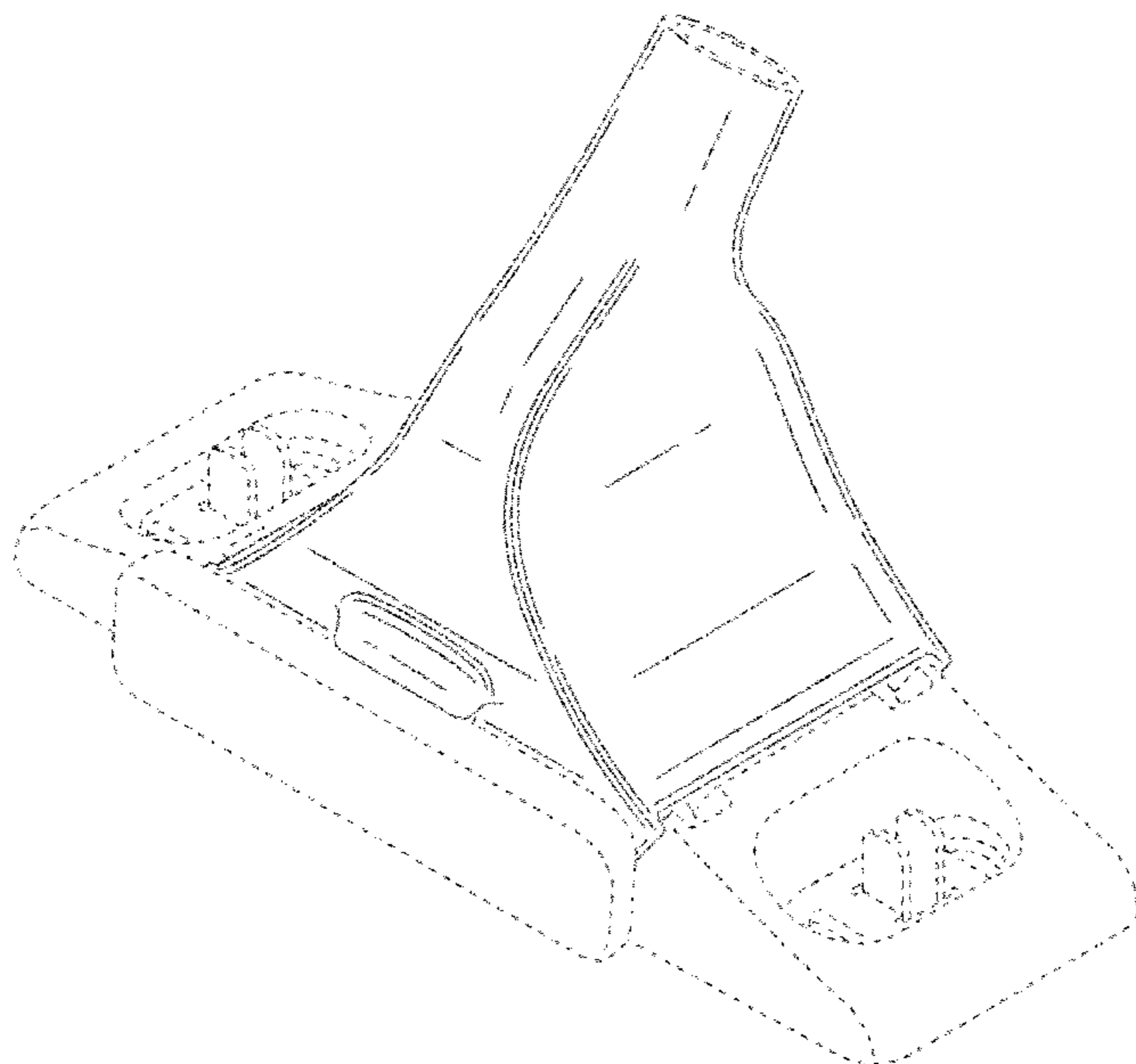
FIG. 4 is a rear view thereof;

FIG. 5 is a left side view thereof; and,

FIG. 6 is a top view thereof.

The uneven-length broken lines represent unclaimed boundaries of the claimed design. The even-length broken lines showing the remainder of the mop head are for environmental purposes only and form no part of the claimed design.

1 Claim, 6 Drawing Sheets



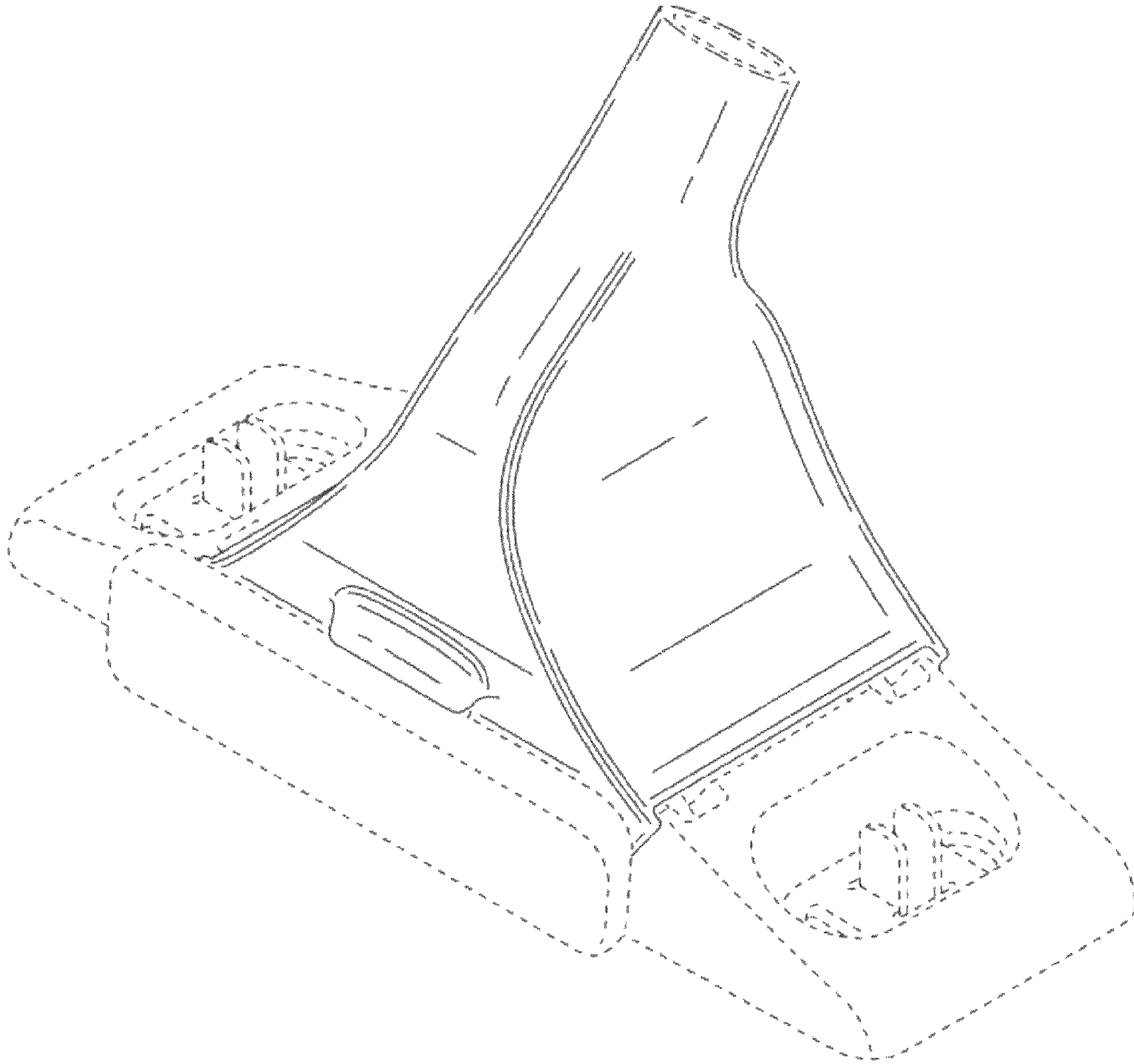


FIG. 1

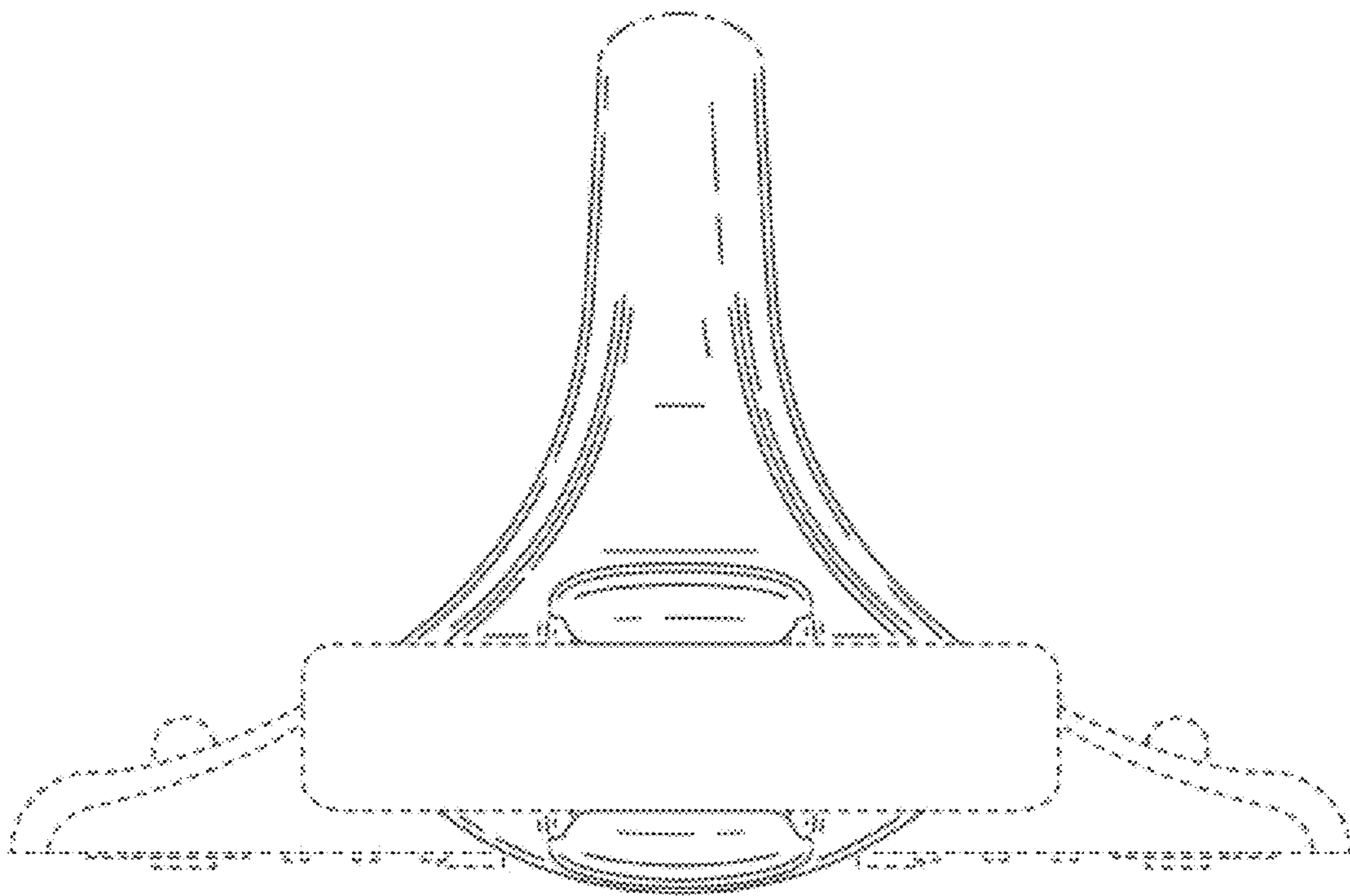


FIG. 2

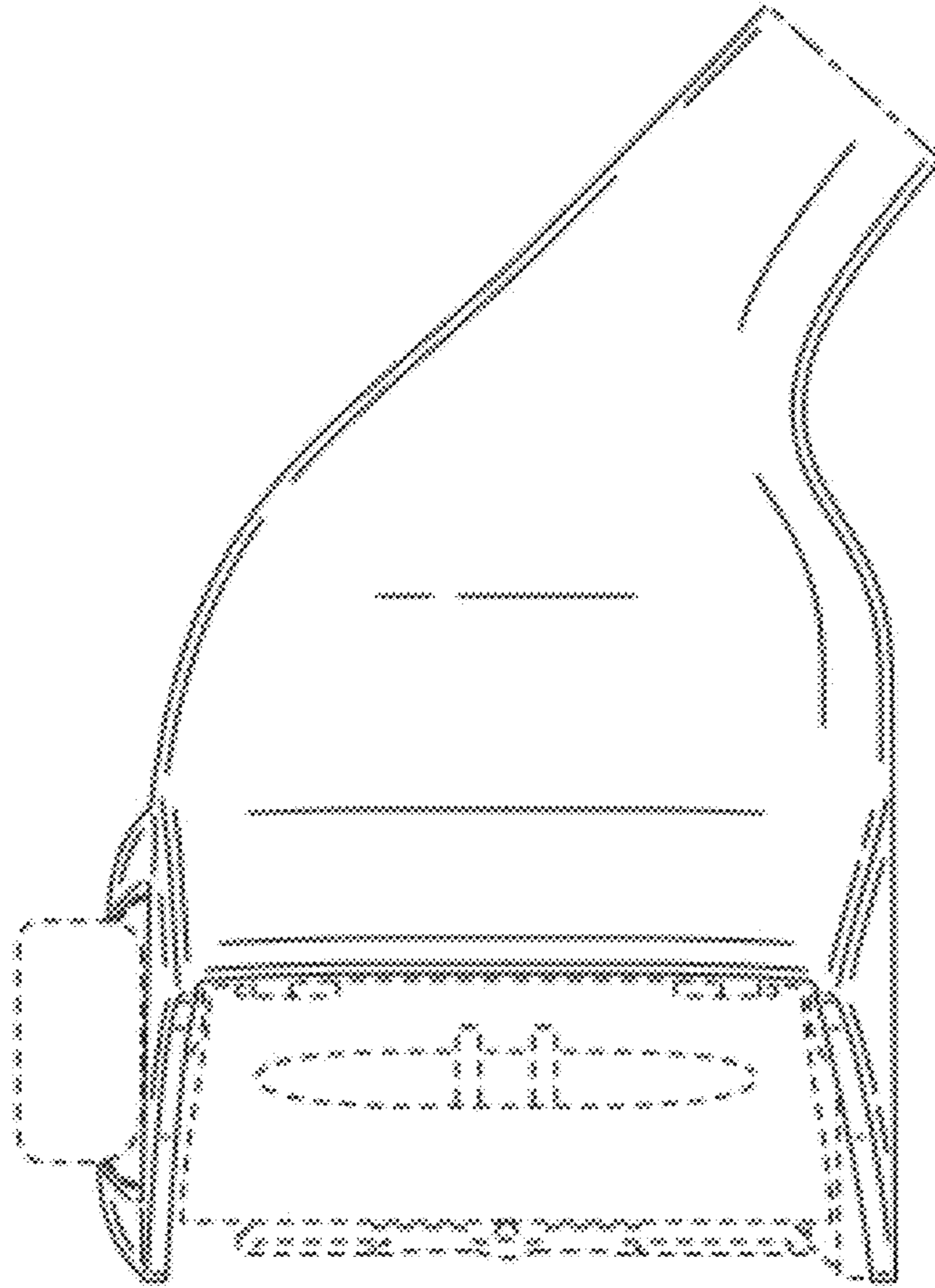


FIG. 3

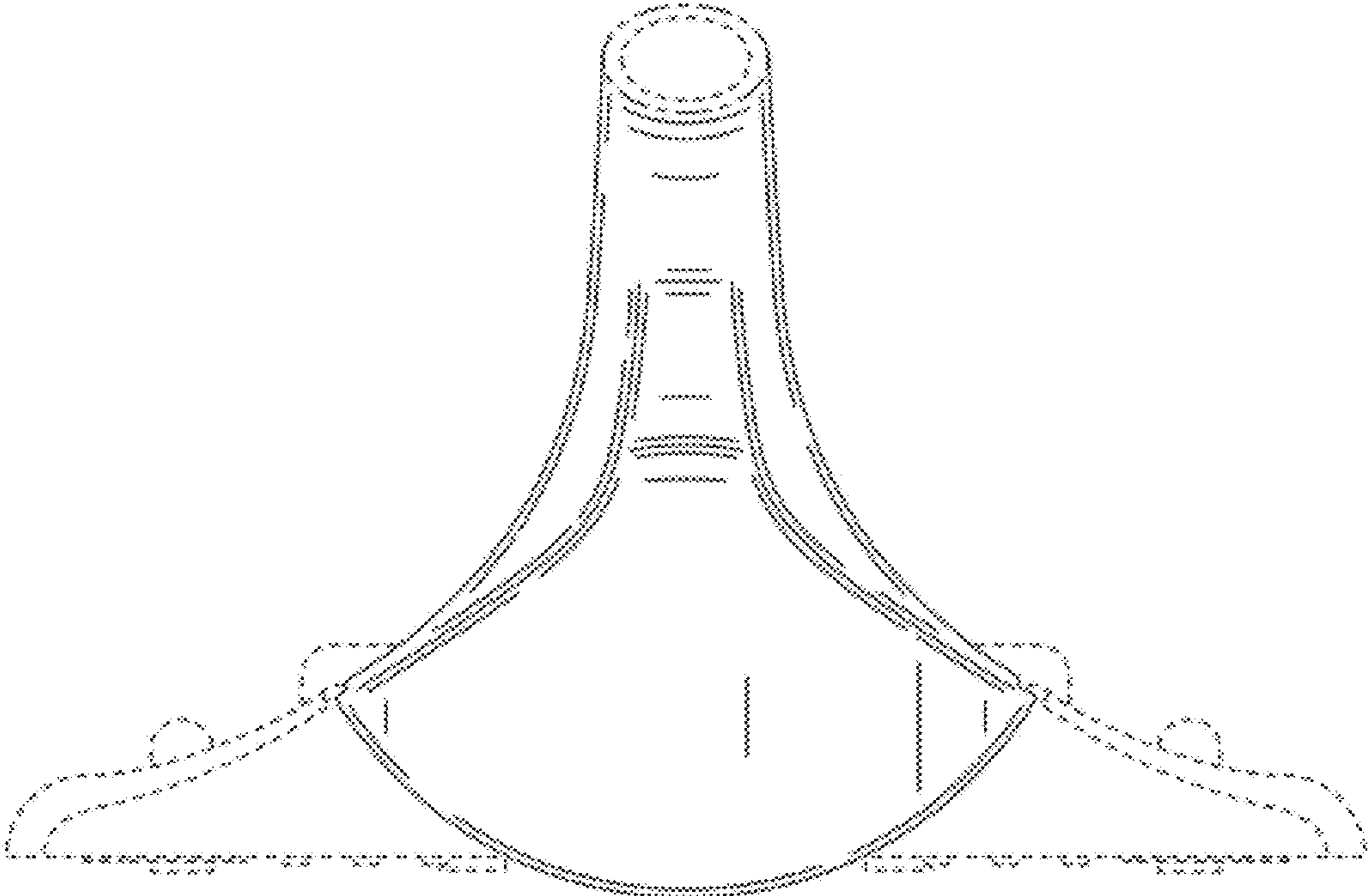


FIG. 4

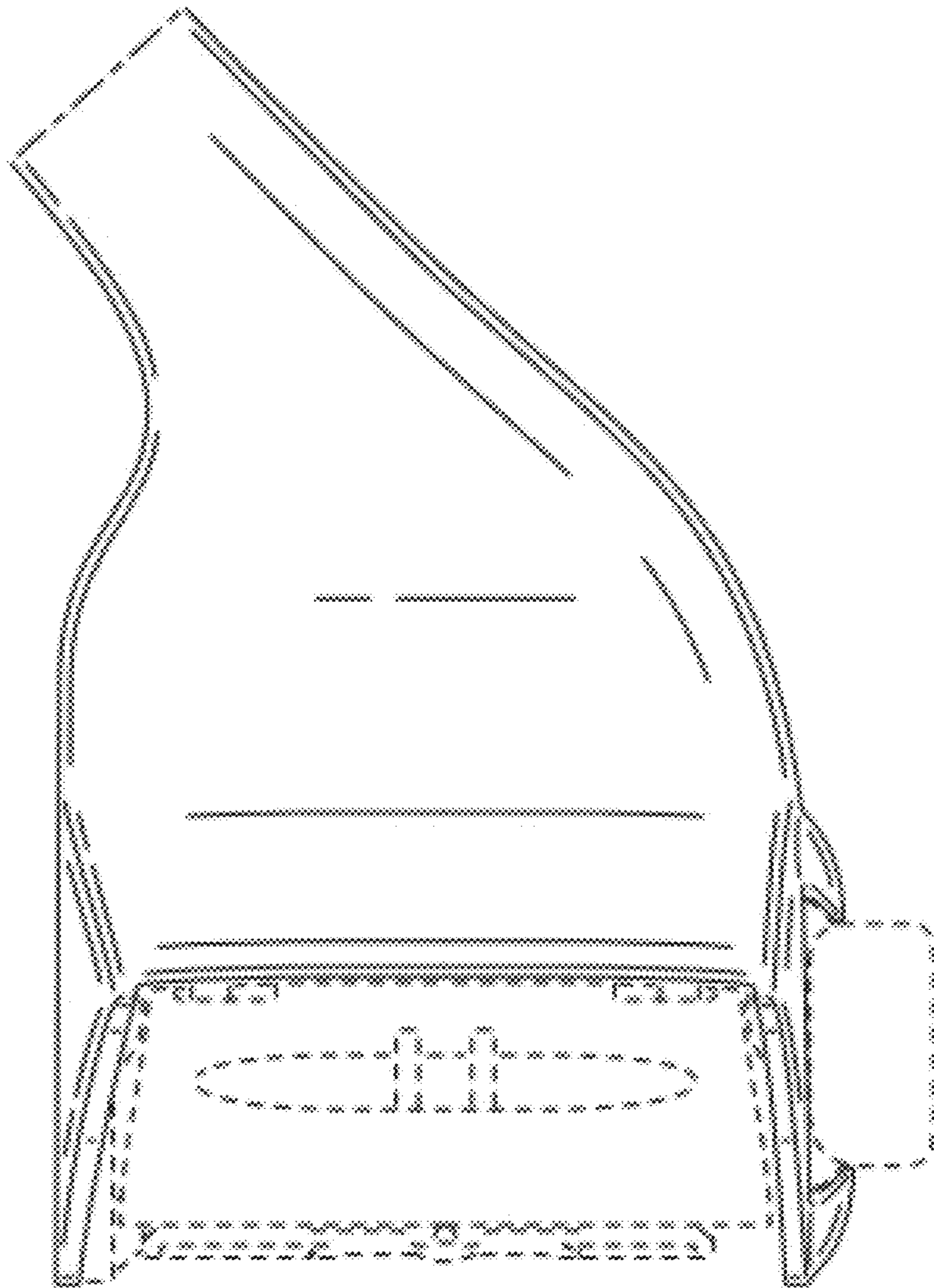


FIG. 5

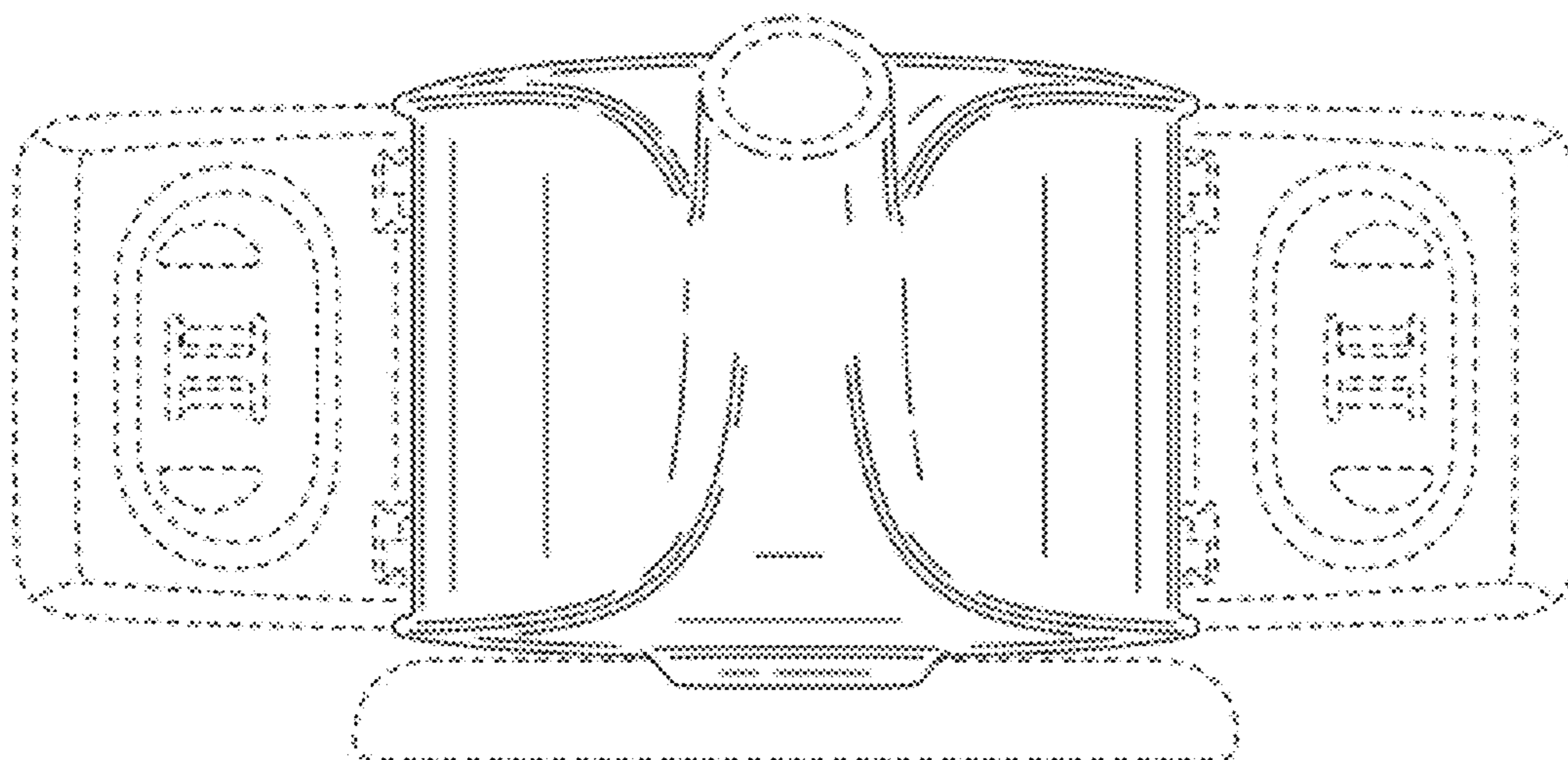


FIG. 6