



US00D661036S

(12) **United States Design Patent**
Raven

(10) **Patent No.:** **US D661,036 S**

(45) **Date of Patent:** **** May 29, 2012**

(54) **FLOOR CLEANER**

(75) Inventor: **Meghan M. Raven**, Grand Rapids, MI (US)

(73) Assignee: **BISSELL Homecare, Inc.**, Grand Rapids, MI (US)

(**) Term: **14 Years**

(21) Appl. No.: **29/386,744**

(22) Filed: **Mar. 4, 2011**

(51) **LOC (9) Cl.** **04-01**

(52) **U.S. Cl.** **D32/45**

(58) **Field of Classification Search** D32/40,
D32/45, 50, 51; 401/137-140, 40-42; 141/20.5
See application file for complete search history.

(56) **References Cited**

U.S. PATENT DOCUMENTS

D401,703 S	11/1998	Beechuk et al.	
D458,427 S	6/2002	Kunkler et al.	
D487,174 S	2/2004	Colman et al.	
D506,050 S	6/2005	Lalanne et al.	
D507,088 S *	7/2005	Chi-Hsiang et al.	D32/45
6,960,042 B1 *	11/2005	Hsiao	401/138
D514,267 S	1/2006	Tsai	
D515,759 S	2/2006	Fischer	

D518,935 S	4/2006	Leitch et al.	
D544,661 S	6/2007	Santiago et al.	
D583,118 S *	12/2008	Snyder	D32/51
D591,921 S	5/2009	Rosenzweig et al.	
D602,218 S *	10/2009	Koenig et al.	D32/40
D607,165 S	12/2009	Libman et al.	
D607,168 S *	12/2009	Libman et al.	D32/45
D615,260 S *	5/2010	Koenig	D32/45
D625,481 S *	10/2010	Raven	D32/51
D631,217 S *	1/2011	Lavy	D32/45
D636,958 S *	4/2011	Koenig et al.	D32/45

* cited by examiner

Primary Examiner — Robin V Webster

(74) *Attorney, Agent, or Firm* — McGarry Bair PC

(57) **CLAIM**

The ornamental design for a floor cleaner, as shown and described.

DESCRIPTION

FIG. 1 is a perspective view of a floor cleaner which embodies our design;

FIG. 2 is a front view thereof;

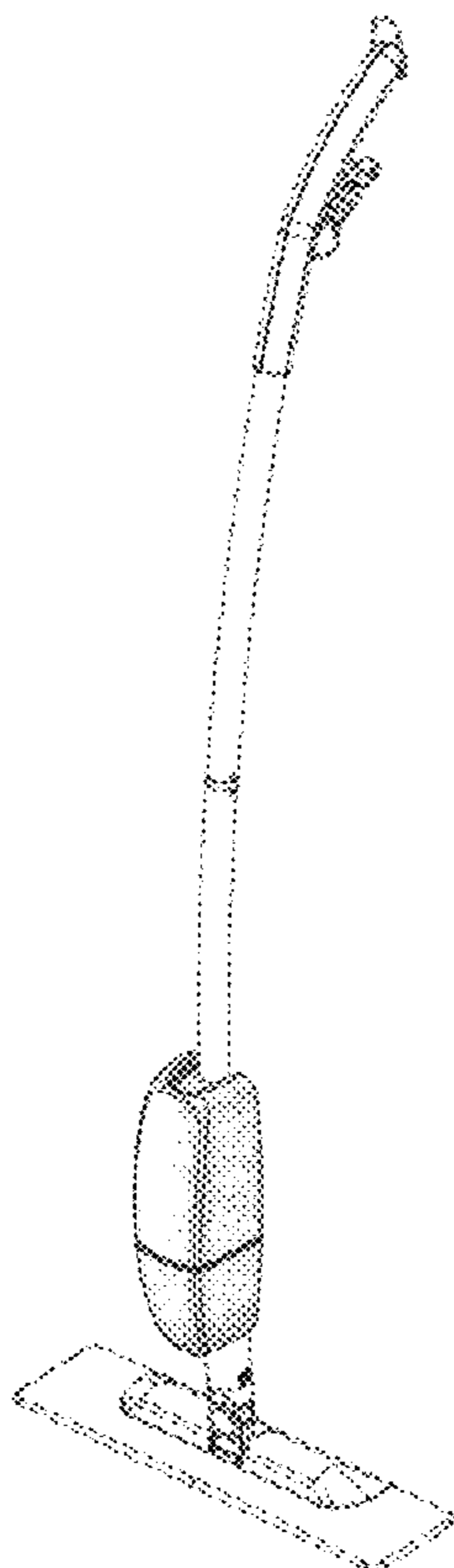
FIG. 3 is a rear view thereof;

FIG. 4 is a left side view thereof, the right side view thereof being a mirror image of the left side view thereof; and,

FIG. 5 is a top view thereof.

Portions of the floor cleaner shown in broken lines form no part of the claimed design.

1 Claim, 3 Drawing Sheets



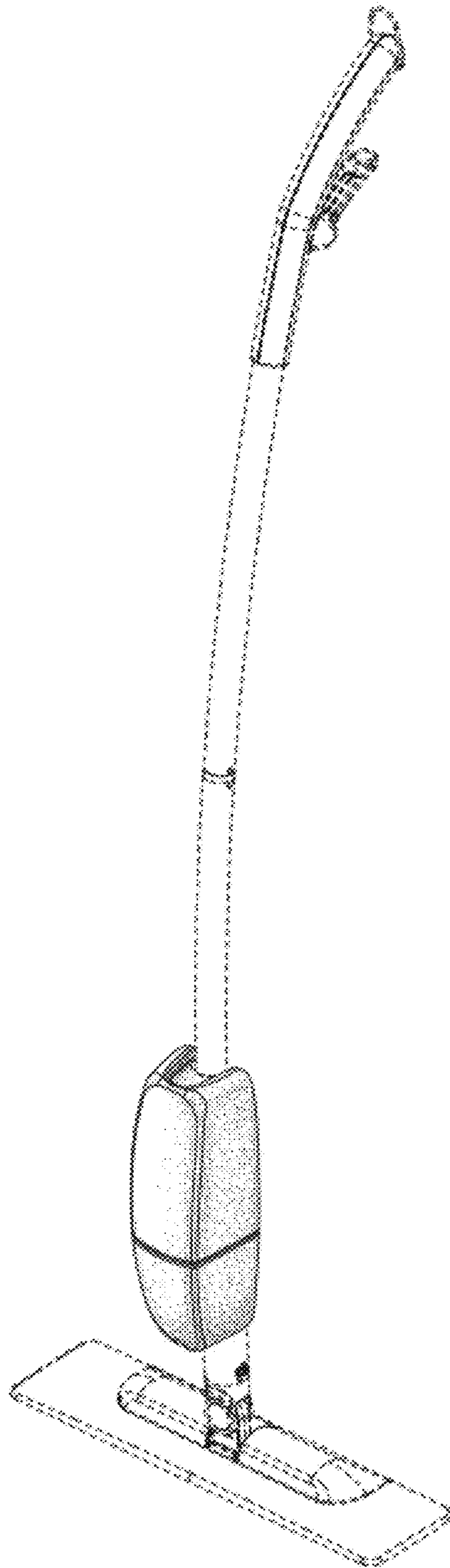


Fig. 1

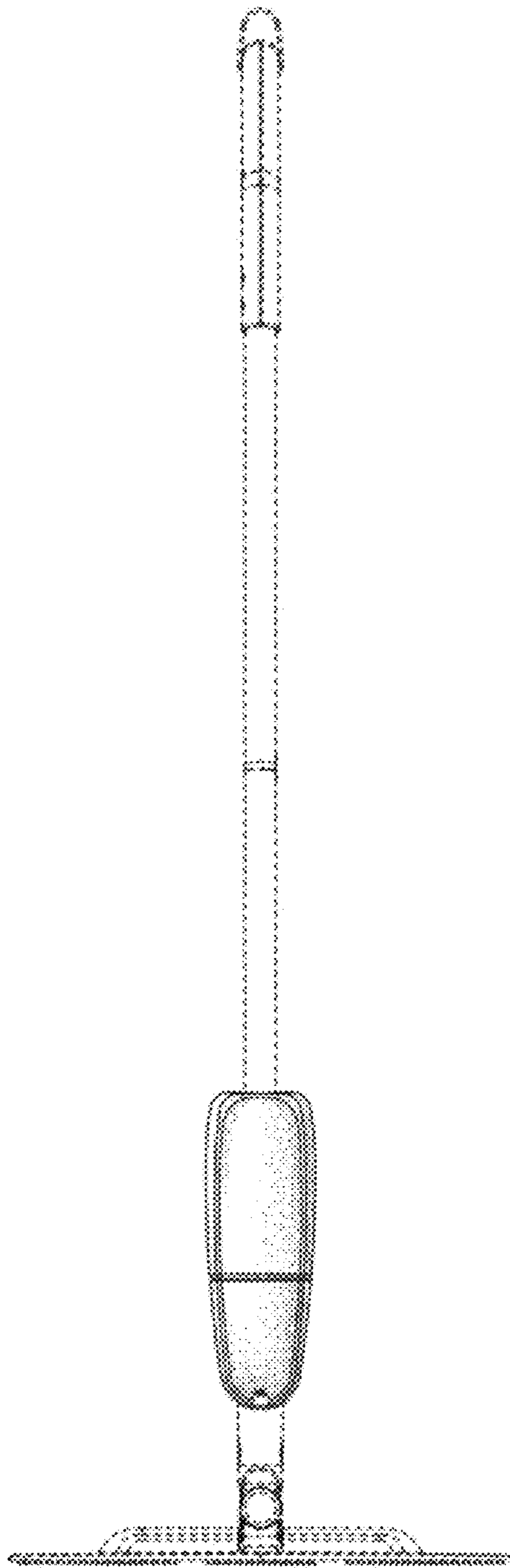


Fig. 2

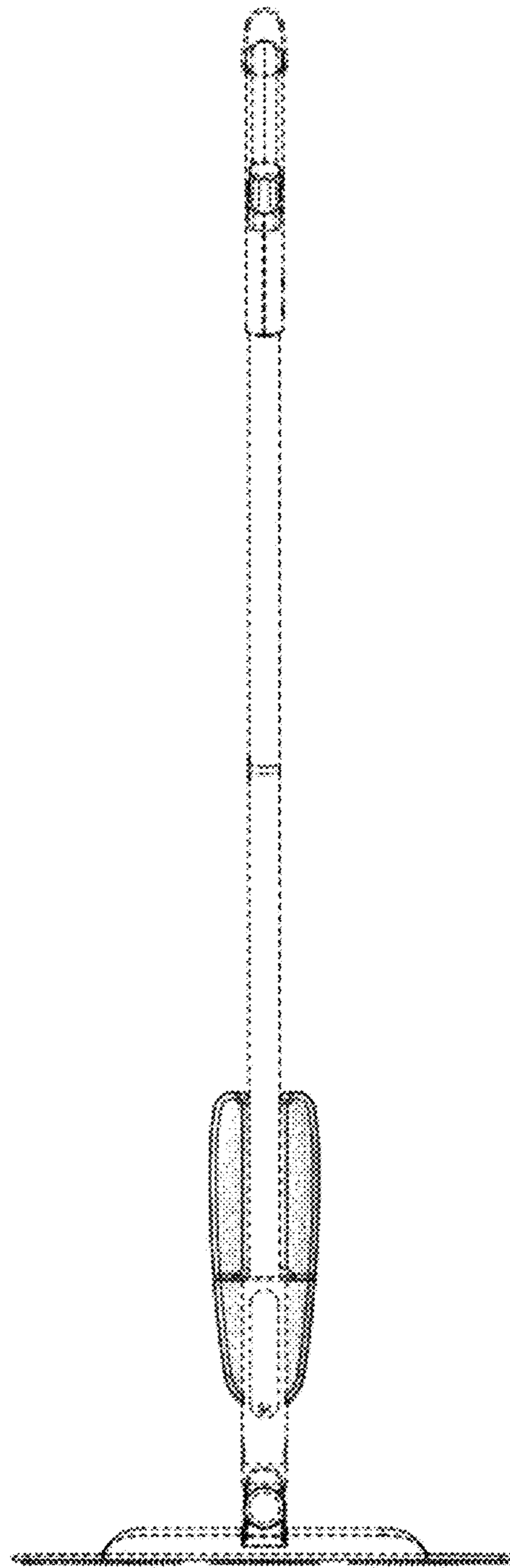


Fig. 3

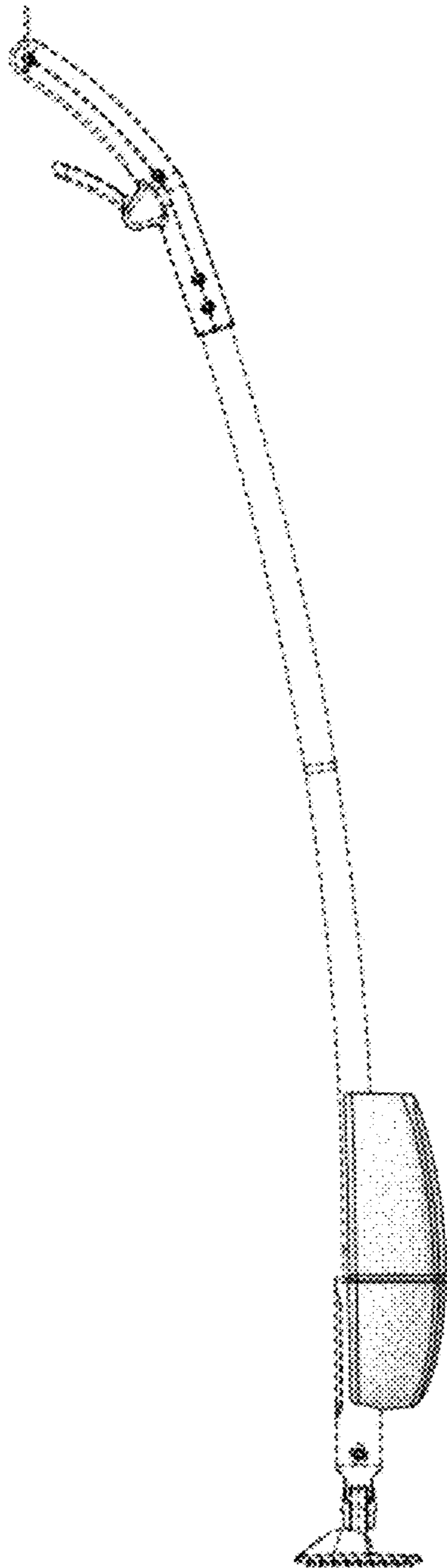


Fig. 4

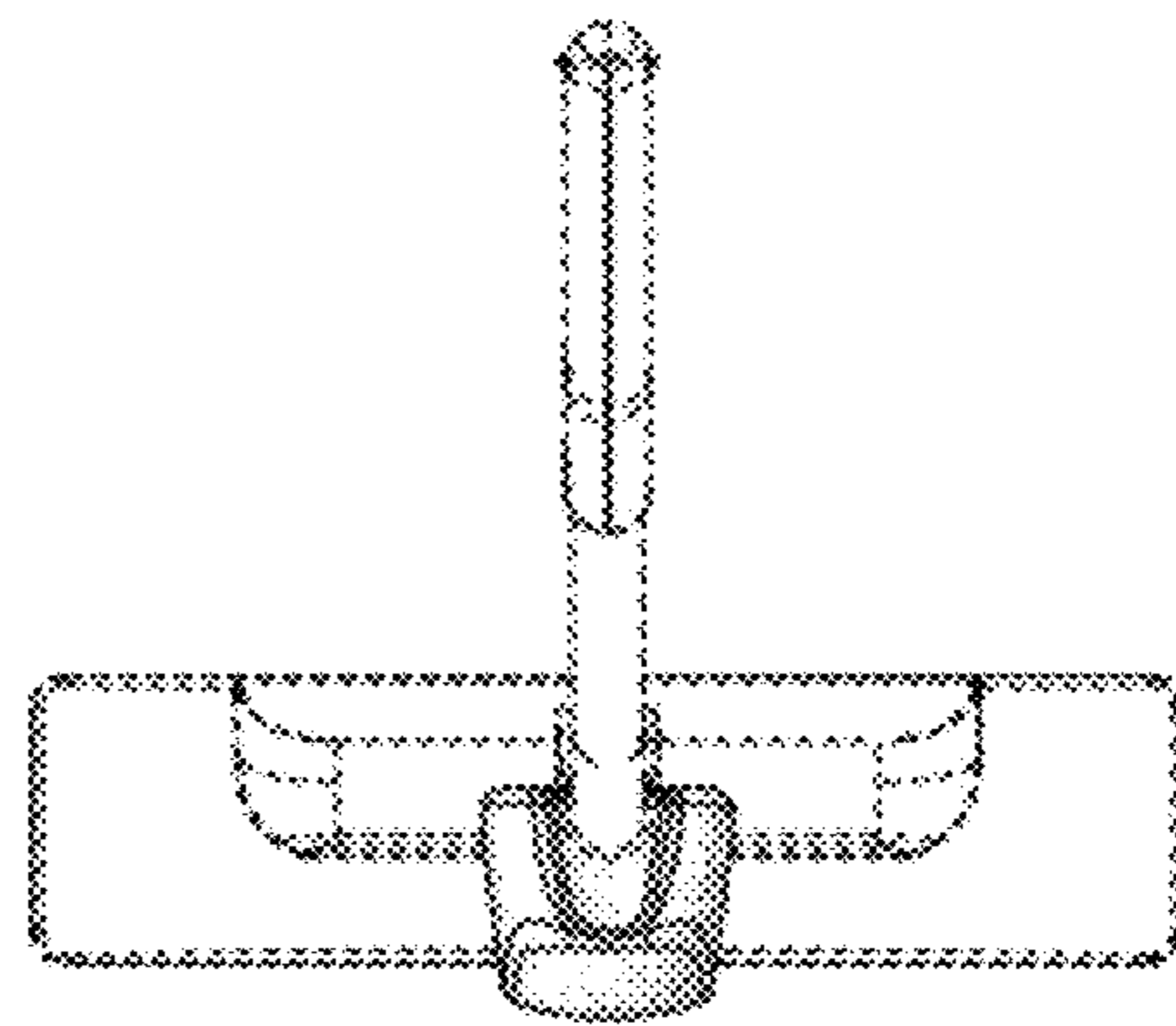


Fig. 5