



US00D661035S

(12) **United States Design Patent**
McGee et al.

(10) **Patent No.:** **US D661,035 S**
(45) **Date of Patent:** **** May 29, 2012**

(54) **STEAM MOP FRAME**

(75) Inventors: **Brian R McGee**, Acton, MA (US);
Stuart D Babb, Milton, MA (US)

(73) Assignee: **Euro-Pro Operating LLC**, Newton,
MA (US)

(**) Term: **14 Years**

(21) Appl. No.: **29/382,366**

(22) Filed: **Jan. 3, 2011**

(51) **LOC (9) Cl.** **04-01**

(52) **U.S. Cl.** **D32/45**

(58) **Field of Classification Search** D32/40,
D32/45, 50, 51; 401/137-140, 40-42; 141/20.5
See application file for complete search history.

(56) **References Cited**

U.S. PATENT DOCUMENTS

D205,994 S	10/1966	Ota	
D360,502 S	7/1995	Hollinger	
5,819,364 A	10/1998	Sham	
D421,513 S	3/2000	Hsu	
D475,490 S	6/2003	Choi	
D481,841 S	11/2003	Hsu	
D507,088 S *	7/2005	Chi-Hsiang et al.	D32/45
6,960,042 B1 *	11/2005	Hsiao	401/138
D543,667 S	5/2007	Yoshimoto et al.	
D553,810 S	10/2007	Lau	
D583,118 S *	12/2008	Snyder	D32/51
D602,218 S *	10/2009	Koenig et al.	D32/40
D607,168 S *	12/2009	Libman et al.	D32/45
D615,260 S *	5/2010	Koenig	D32/45
D624,254 S	9/2010	Ediger et al.	
D625,481 S *	10/2010	Raven	D32/51
D631,217 S *	1/2011	Lavy	D32/45
D636,958 S *	4/2011	Koenig et al.	D32/45
2010/0126533 A1	5/2010	Nottingham et al.	

OTHER PUBLICATIONS

GrueneSteam Cleaning System. Steam Mop & Hand Cleaner. GrueneSteam Deluxe Tool Set. Product Details. Website. Printed from internet Jul. 28, 2010. 3 pages.

Gruene™ 2-1 Steam Mop & Steam Cleaner. Printed from internet Jul. 28, 2010. 14 pages.

Thane Housewares™ H₂O Mop Ultra™ User's Guide. 3 in 1H₂O Mop® Ultra™ + Hand-Held Portable Steamer + Carpet Cleaner. Model: SC-393. Printed from internet Jul. 28, 2010. 10 pages.

Top Innovations, Inc. Steamfast™ Powerful. Natural. Intelligent. 3-in-1 Steam Mop. Model SF-294. User's Guide. Copyright 2009. 40 pages.

Top Innovations, Inc. Steamfast™ Multi-Purpose Steamer. Model SF-292. Printed from internet Feb. 16, 2011. 10 pages.

* cited by examiner

Primary Examiner — Robin V Webster

(74) *Attorney, Agent, or Firm* — Wolf, Greenfield & Sacks, P.C.

(57) **CLAIM**

The ornamental design for a steam mop frame, as shown and described.

DESCRIPTION

FIG. 1 is a perspective view of a steam mop frame in accordance with the present design;

FIG. 2 is a front view thereof;

FIG. 3 is a rear view thereof;

FIG. 4 is a left side view thereof;

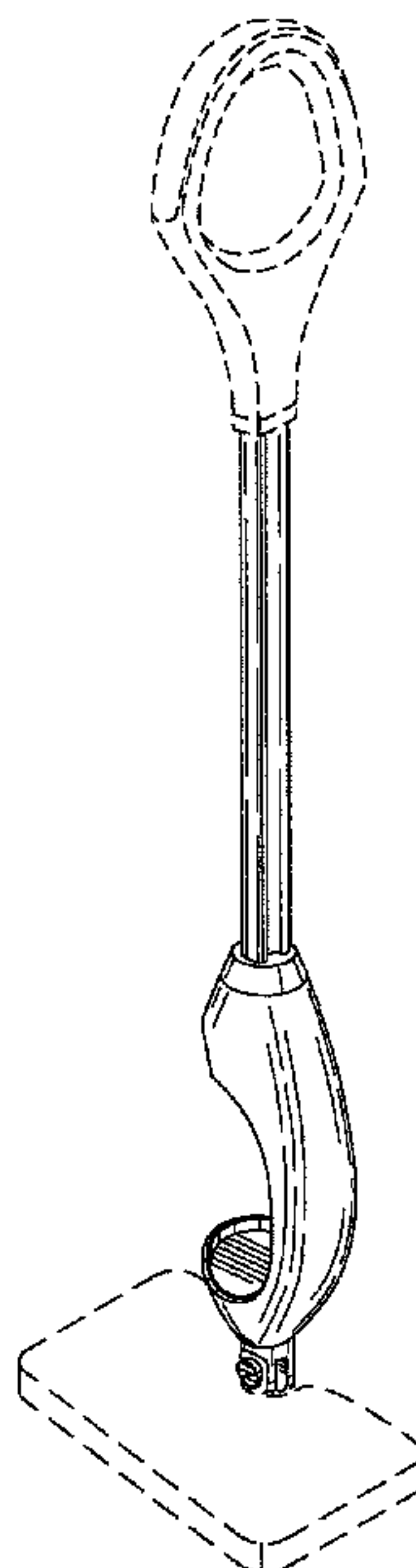
FIG. 5 is a right side view thereof;

FIG. 6 is a top plan view thereof; and,

FIG. 7 is a bottom plan view thereof.

The broken lines showing mop handle and mop head are for illustrative purposes only and form no part of the claimed design.

1 Claim, 3 Drawing Sheets



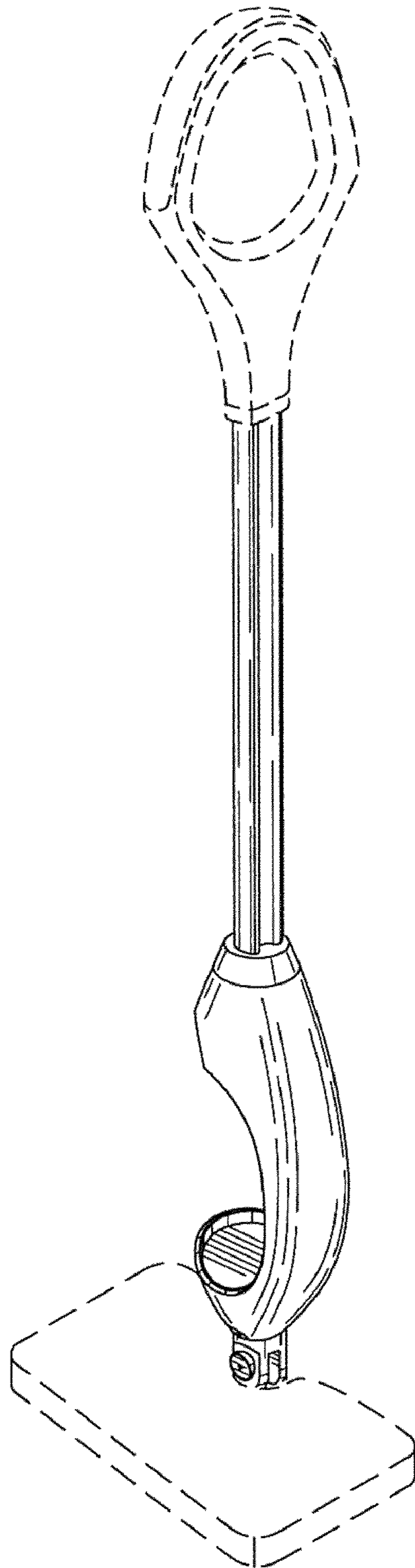


FIG. 1

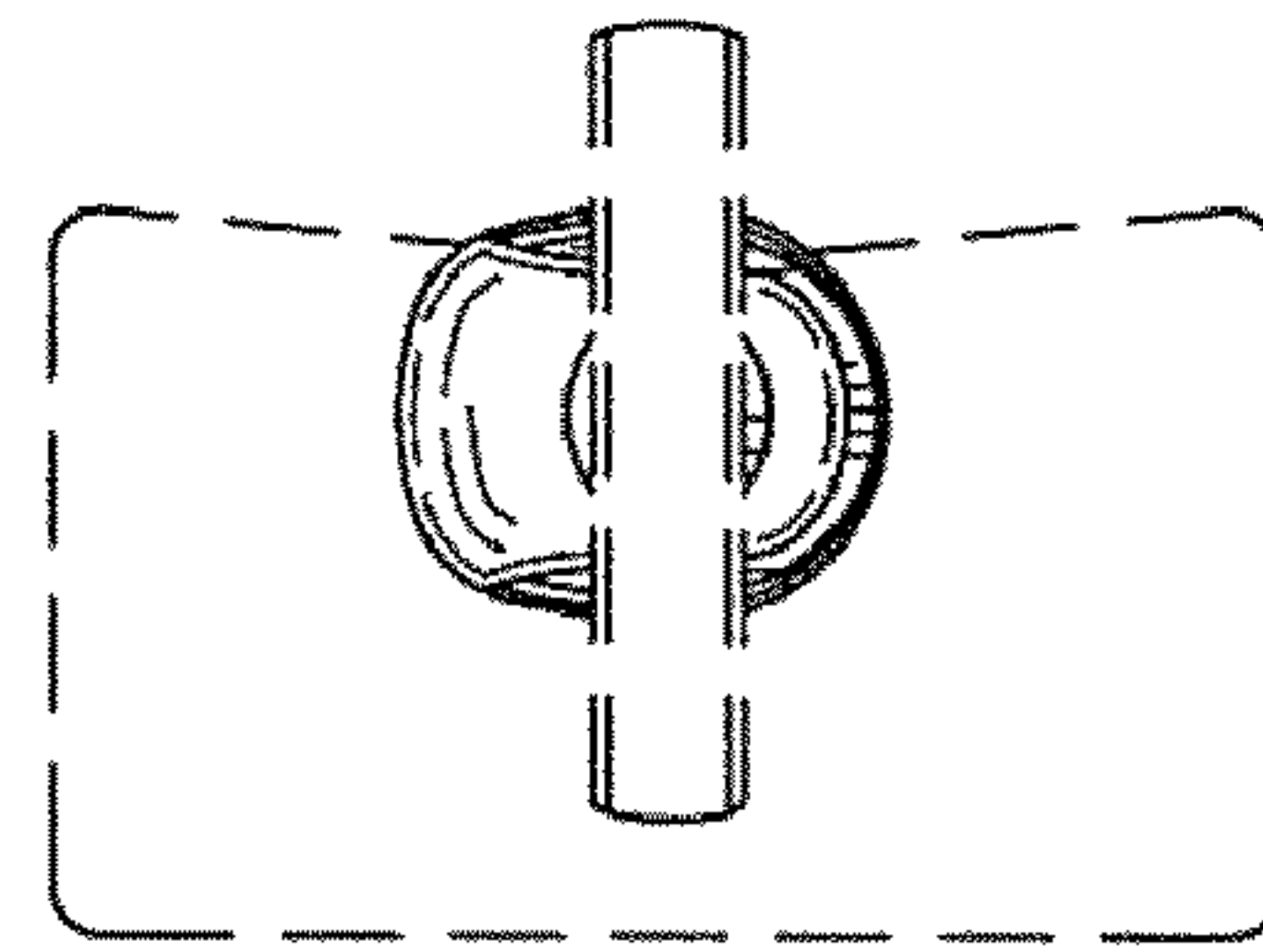


FIG. 6

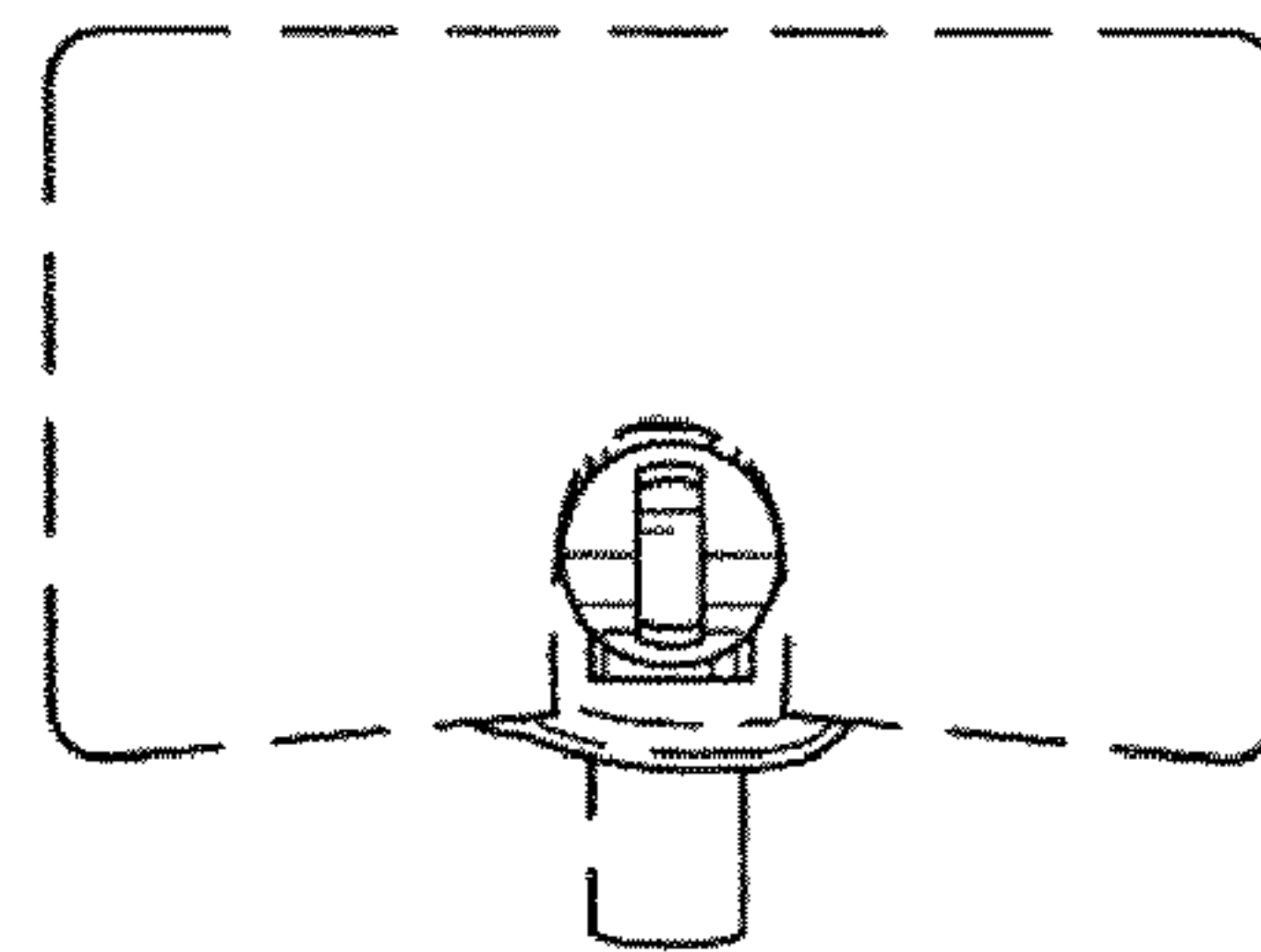


FIG. 7

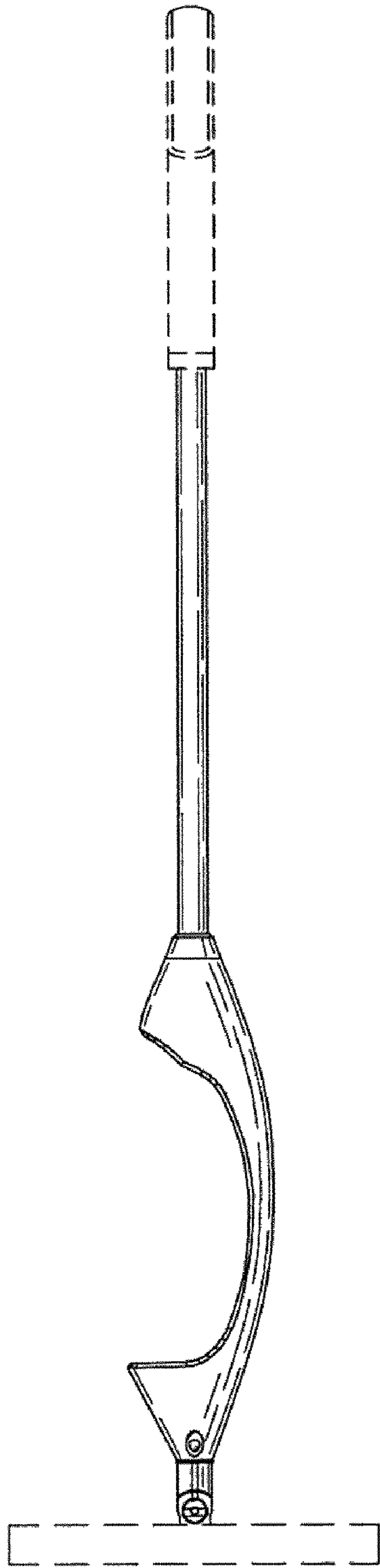


FIG. 2

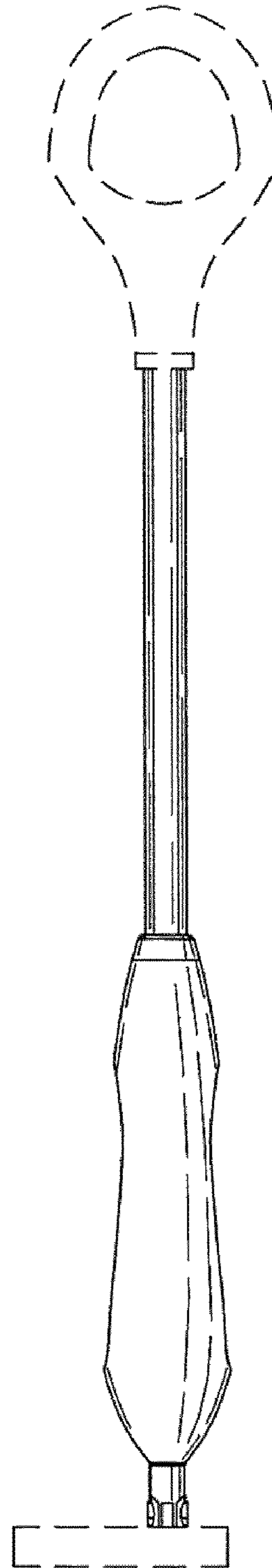


FIG. 5

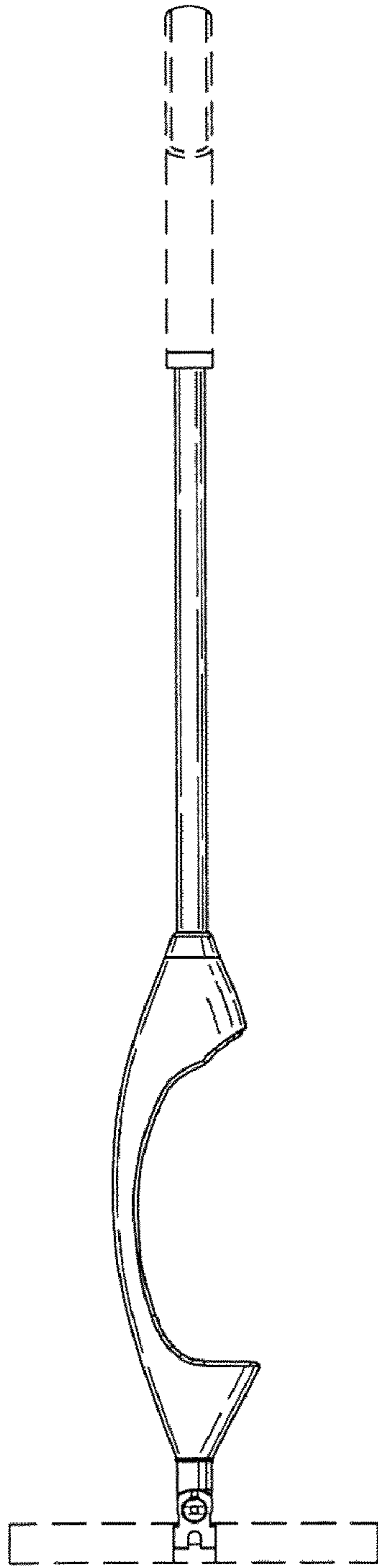


FIG. 3

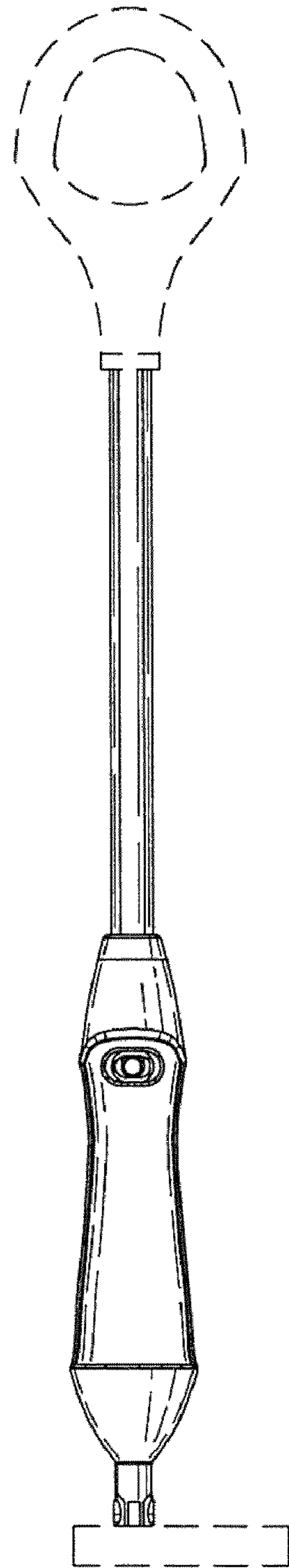


FIG. 4