



US00D661030S

(12) **United States Design Patent**  
**Gould**

(10) **Patent No.:** **US D661,030 S**

(45) **Date of Patent:** **\*\* May 29, 2012**

(54) **SADDLE RACK**

(76) Inventor: **Meg E Gould**, Boulinas, CA (US)

(\*\*) Term: **14 Years**

(21) Appl. No.: **29/384,158**

(22) Filed: **Jan. 27, 2011**

(51) **LOC (9) Cl.** ..... **30-04**

(52) **U.S. Cl.** ..... **D30/143**

(58) **Field of Classification Search** ..... D30/135,  
D30/143; 54/1, 55, 84, 66; 211/85.11, 87.01;  
248/200, 205.1, 219.4

See application file for complete search history.

*Primary Examiner* — Prabhakar Deshmukh

(74) *Attorney, Agent, or Firm* — Steven A. Nielsen; Allan & Nielsen, P.C.

(57) **CLAIM**

I claim the ornamental design for a saddle rack, as shown and described.

**DESCRIPTION**

FIG. 1 is a perspective view of a saddle rack showing my new design;

FIG. 2 is a front elevational view thereof;

FIG. 3 is a rear elevational view thereof;

FIG. 4 is top plan view thereof;

FIG. 5 is a bottom plan view thereof;

FIG. 6 is a left side elevational view thereof; and,

FIG. 7 is a right side elevational view thereof.

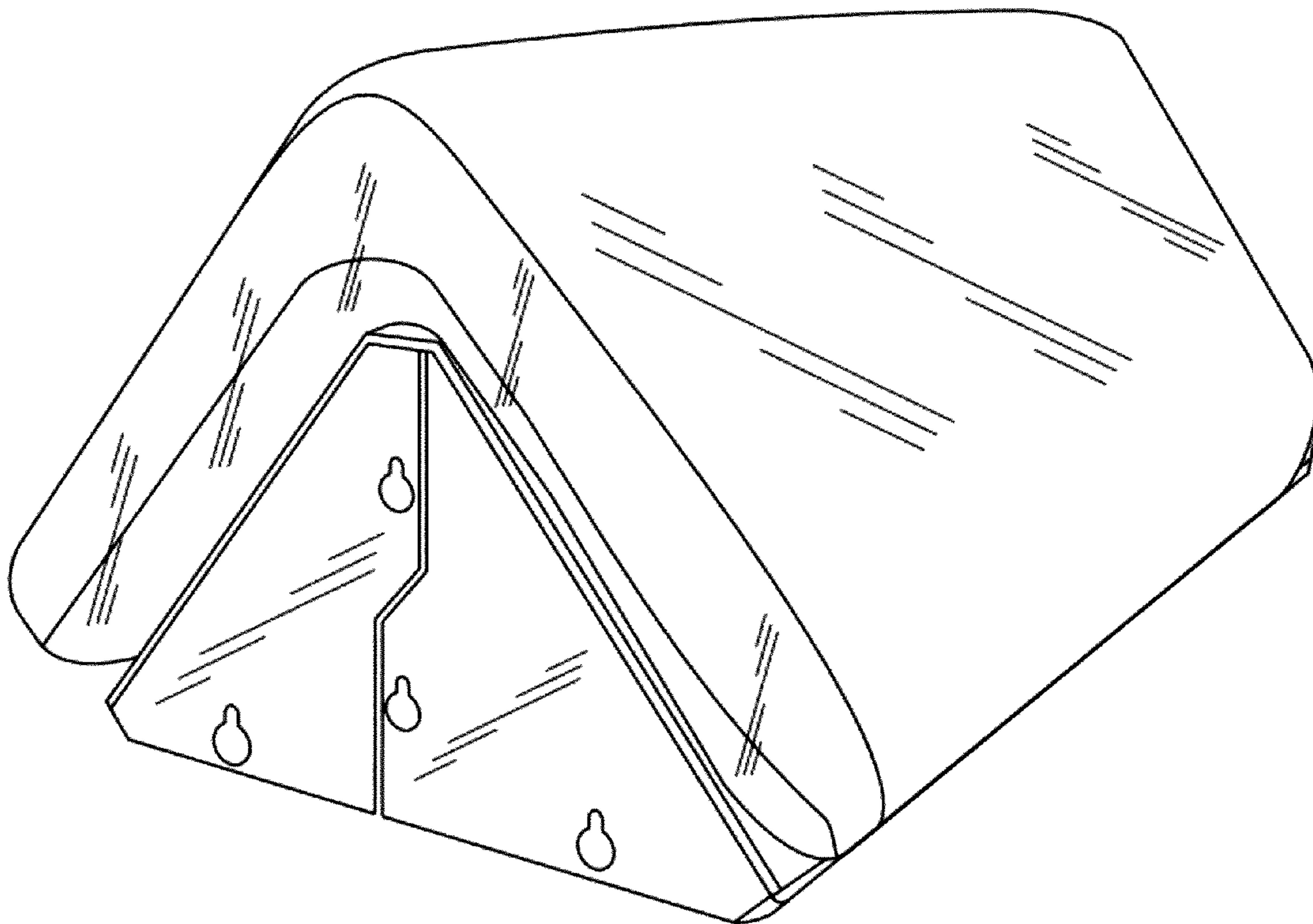
(56) **References Cited**

U.S. PATENT DOCUMENTS

2,953,252	A *	9/1960	Koontz	.....	211/85.11
D277,989	S *	3/1985	Wakat	.....	D30/143
5,050,744	A *	9/1991	Floyd	.....	211/85.11
6,189,706	B1 *	2/2001	Akins	.....	211/87.01
2007/0006555	A1 *	1/2007	Italiano	.....	54/66

\* cited by examiner

**1 Claim, 4 Drawing Sheets**



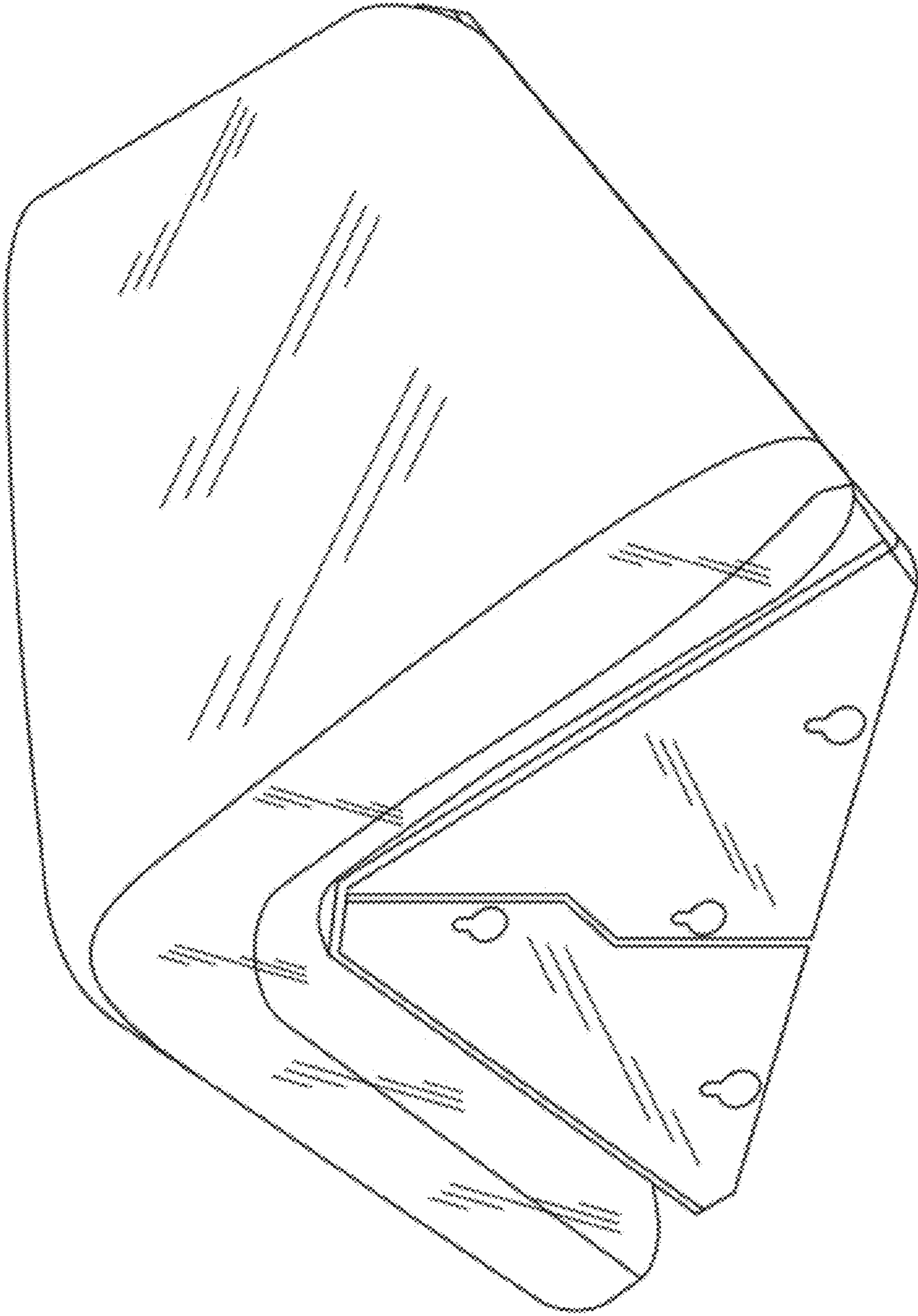


Fig. 1

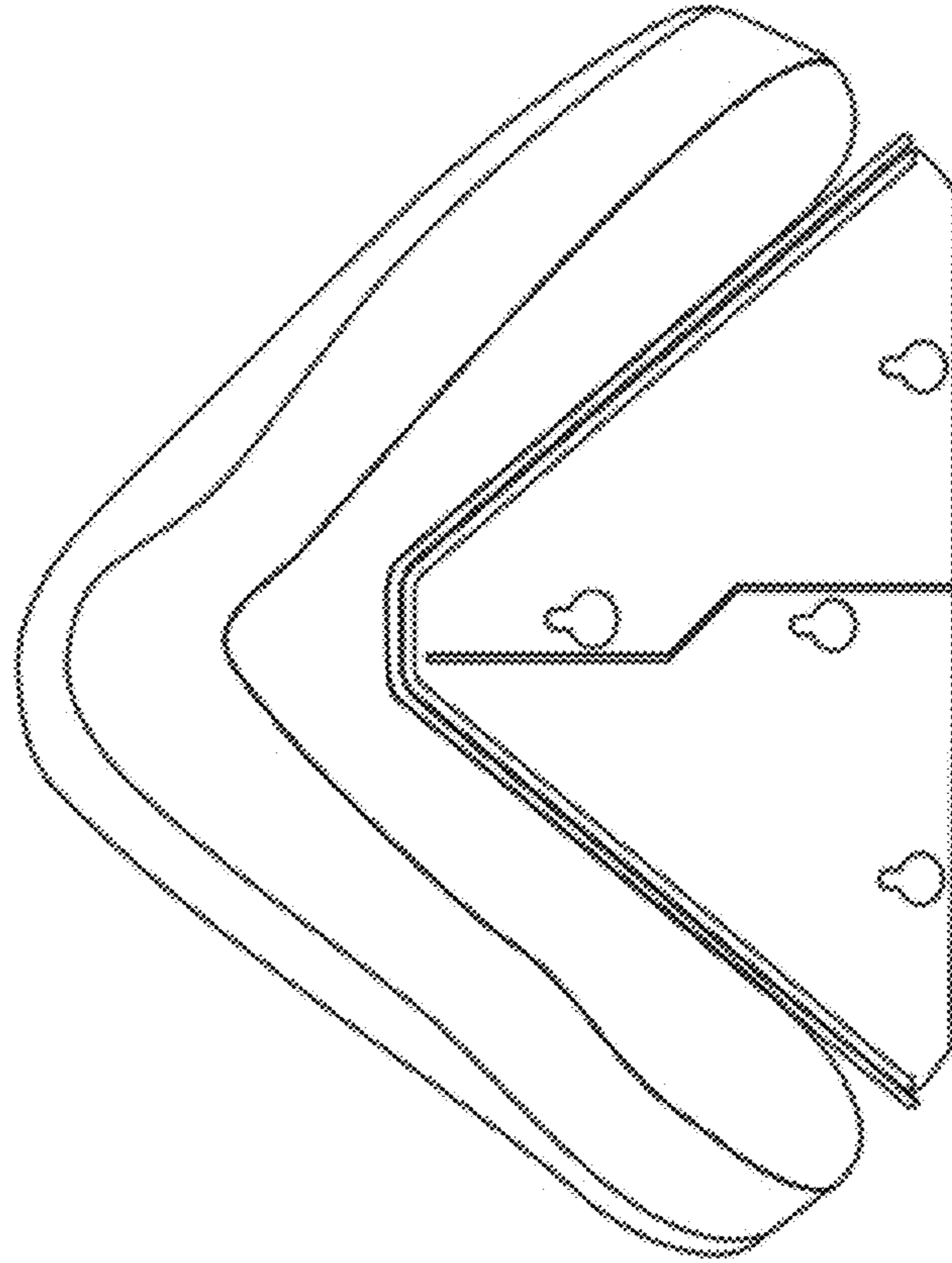


Fig. 2

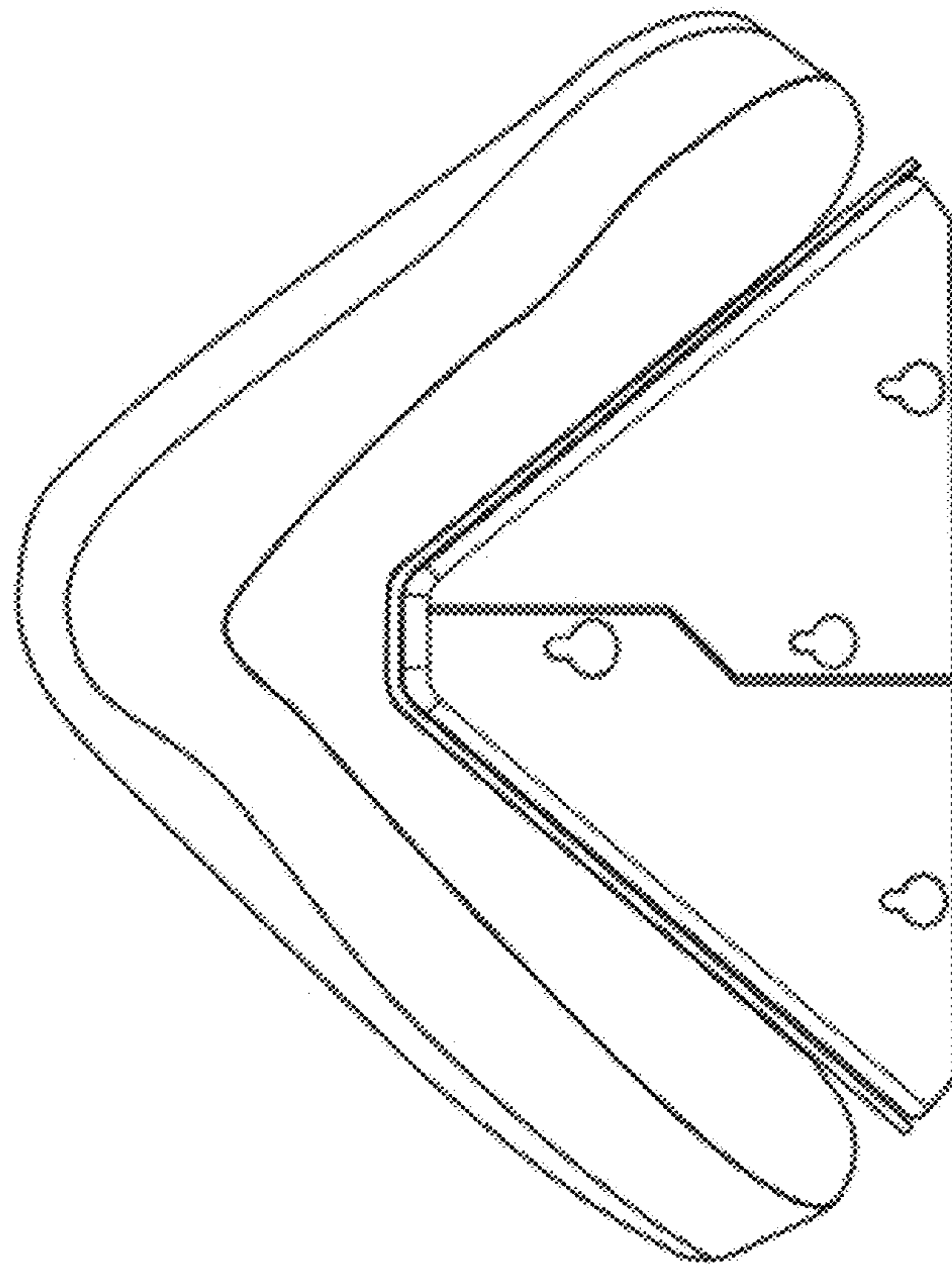


Fig. 3



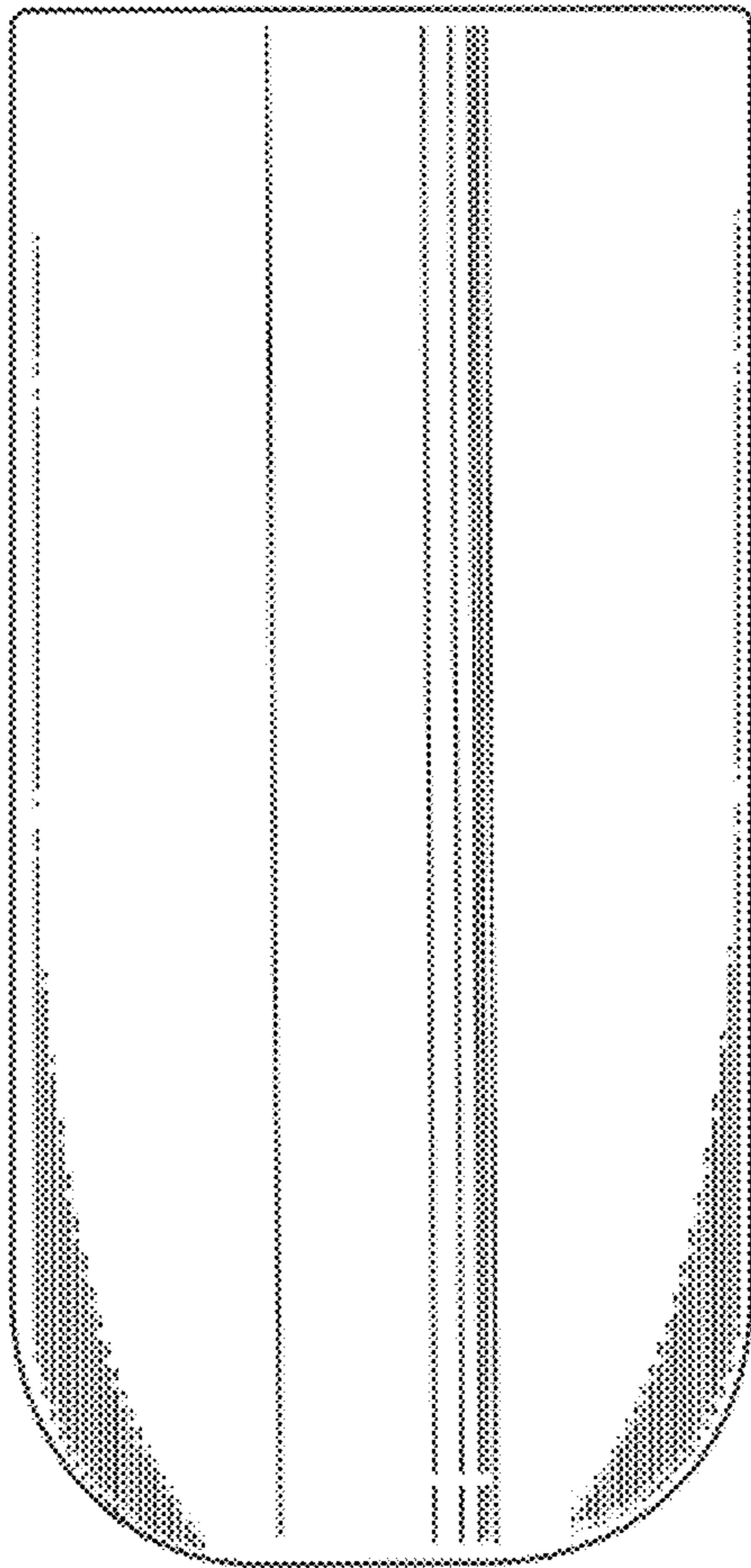


Fig. 4

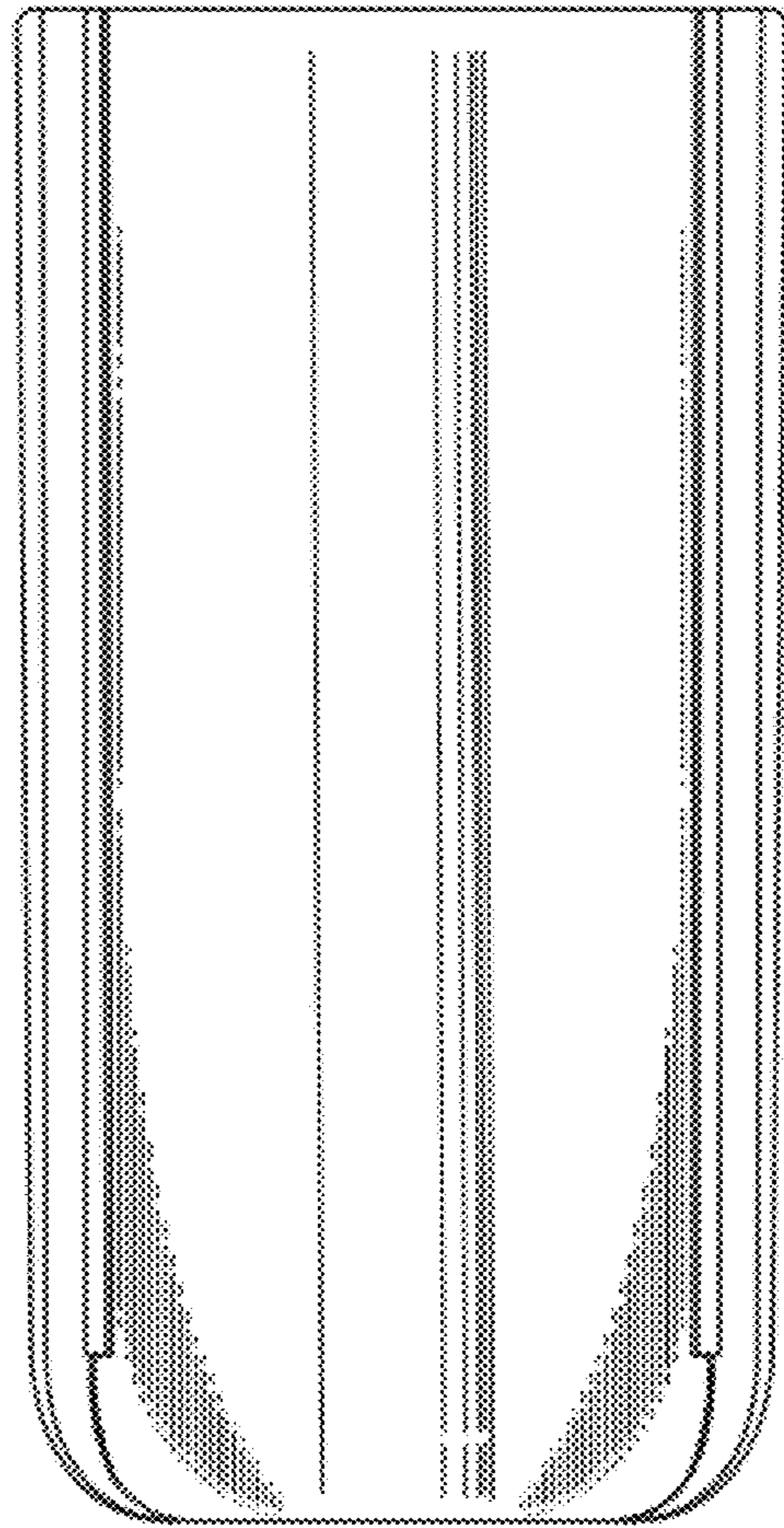


Fig. 5

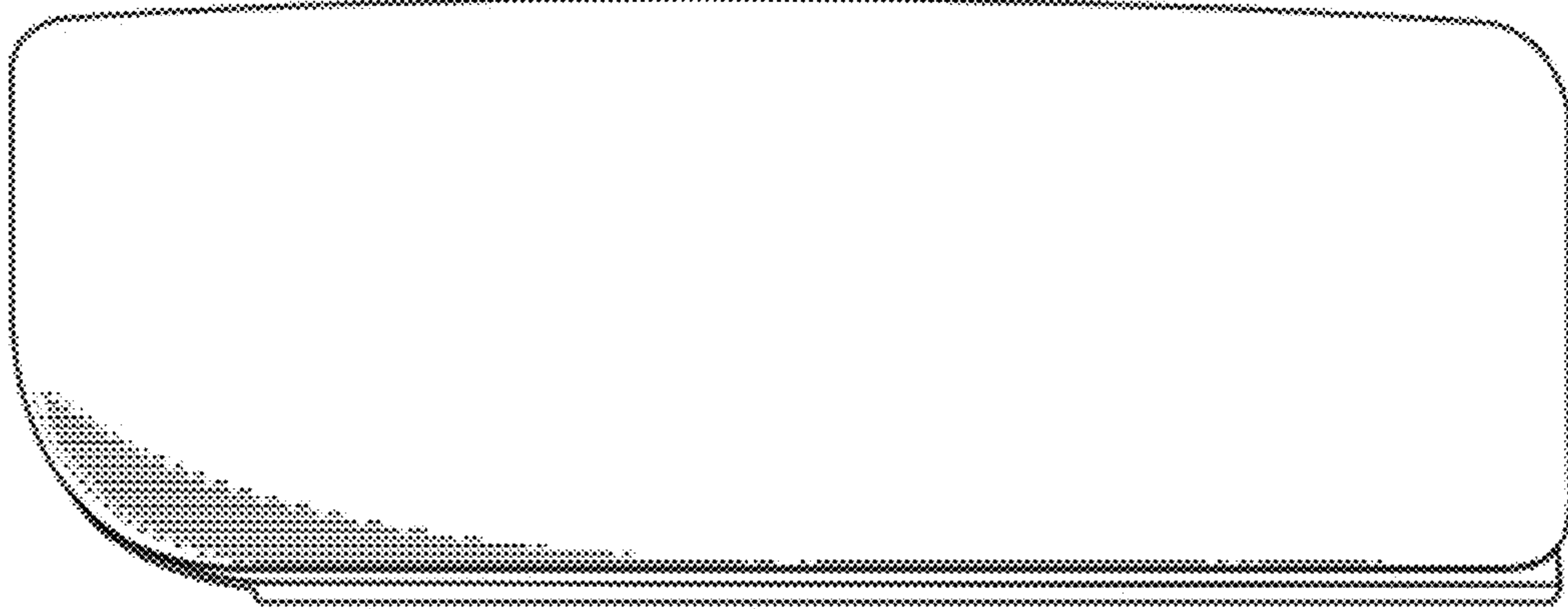


Fig. 6

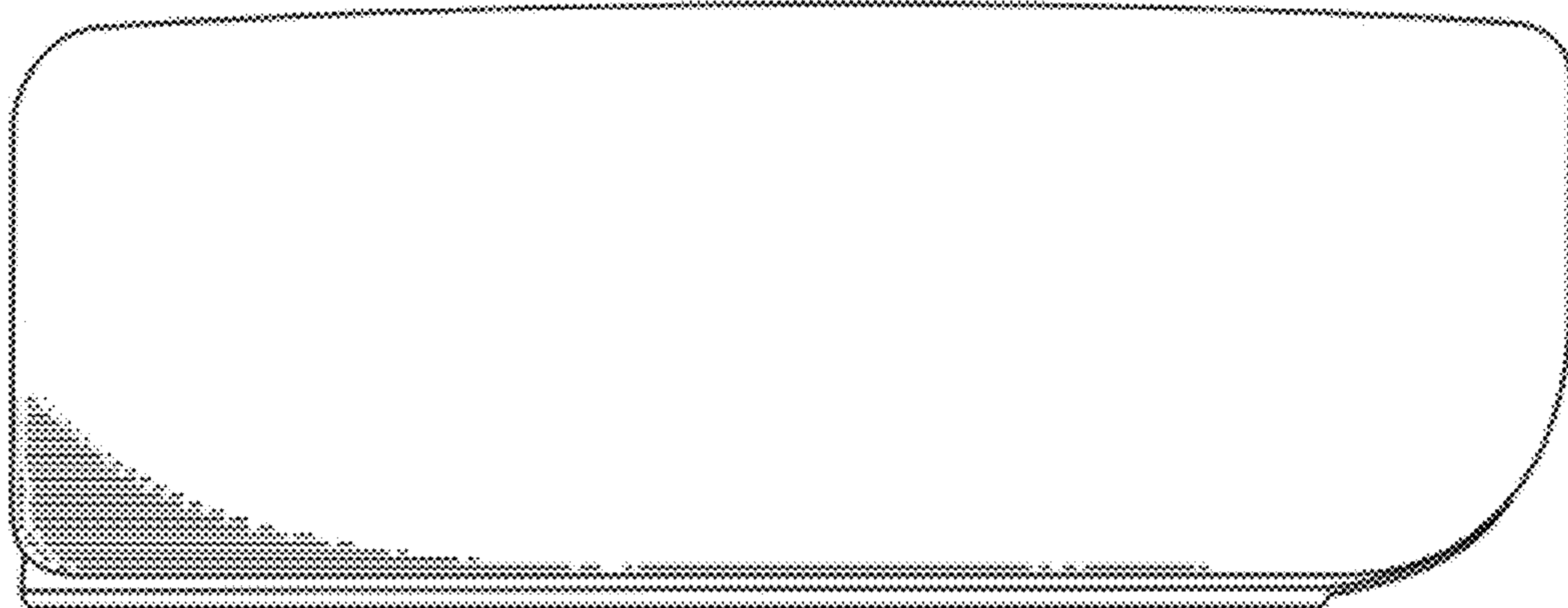


Fig. 7