

US00D661029S

(12) **United States Design Patent**
Grigg et al.

(10) **Patent No.:** **US D661,029 S**
(45) **Date of Patent:** **** May 29, 2012**

- (54) **COLLAPSIBLE SMALL ANIMAL PEN**
- (76) Inventors: **Sanford Grigg**, Pottsboro, TX (US);
Doris Grigg, Pottsboro, TX (US)
- (**) Term: **14 Years**
- (21) Appl. No.: **29/408,076**
- (22) Filed: **Dec. 6, 2011**

- D229,948 S * 1/1974 Box D30/114
- D272,566 S * 2/1984 Carroll et al. D30/114
- D360,489 S * 7/1995 Saylor D30/108
- 5,595,203 A * 1/1997 Espinosa 135/124
- D444,599 S * 7/2001 Guerry, Jr. D30/155
- D540,044 S * 4/2007 Schroer et al. D5/26
- 2009/0249701 A1 * 10/2009 Turcot 52/2.18

* cited by examiner

Primary Examiner — John Windmuller
(74) *Attorney, Agent, or Firm* — Montgomery Patent & Design; Robert C. Montgomery; Joseph T. Yaksich

Related U.S. Application Data

- (63) Continuation of application No. 12/218,159, filed on Jul. 11, 2008, now abandoned.
- (51) **LOC (9) Cl.** **30-02**
- (52) **U.S. Cl.** **D30/112; D30/114**
- (58) **Field of Classification Search** D30/108–112, D30/118–120, 125, 161; 119/482; D21/506, D21/509, 510, 511; 446/75, 76, 108, 109, 446/110, 476–478; D99/30
See application file for complete search history.

(57) **CLAIM**

The ornamental design for a collapsible small animal pen, as shown and described.

DESCRIPTION

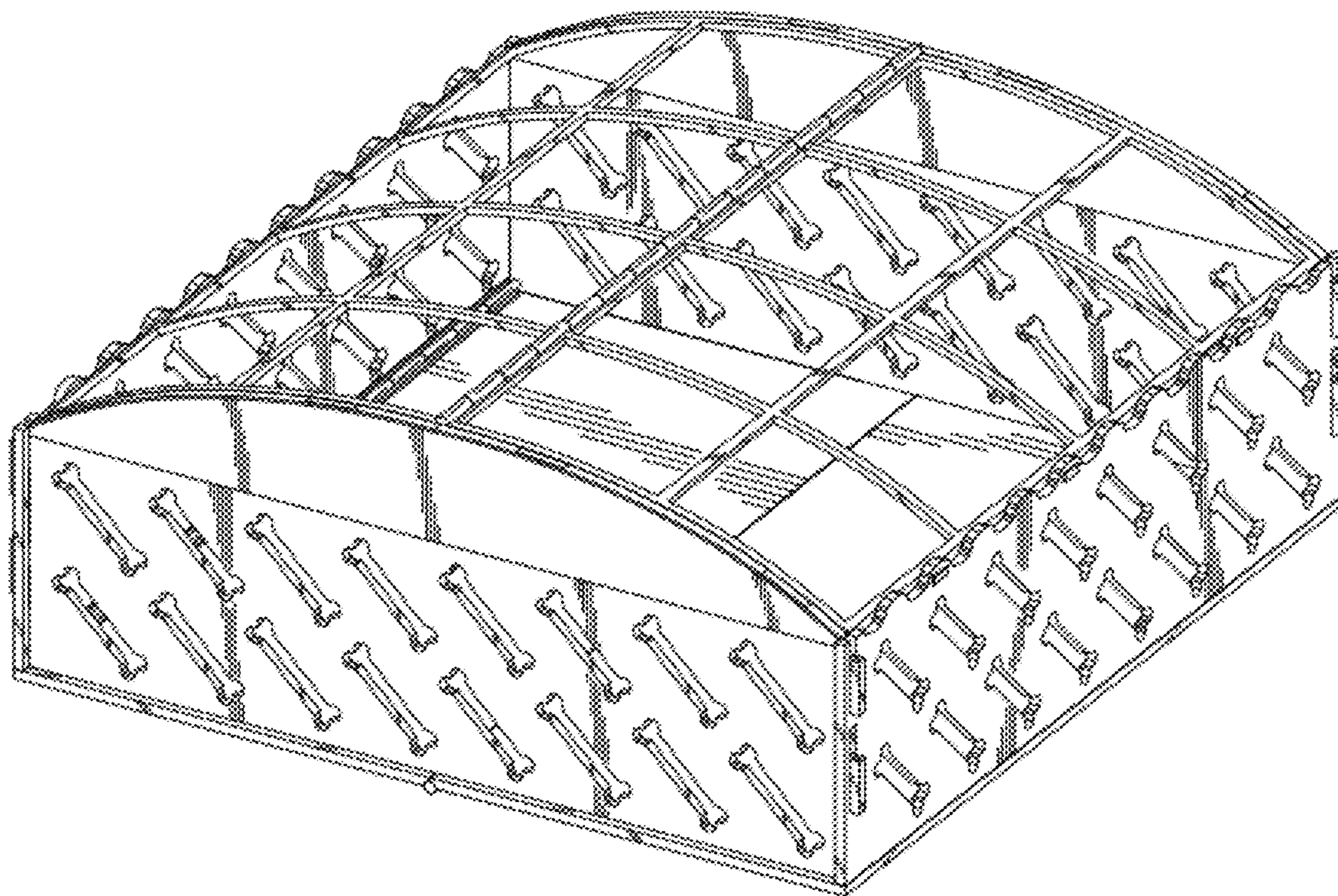
FIG. 1 is a front perspective view of a collapsible small animal pen, showing our new design;
FIG. 2 is a front view thereof with a rear view being a mirror image;
FIG. 3 is a left side view thereof with a right side view being a mirror image;
FIG. 4 is a top view thereof; and,
FIG. 5 is a bottom view thereof.

(56) **References Cited**

U.S. PATENT DOCUMENTS

- D209,838 S * 1/1968 Artig D30/108
- D219,742 S * 1/1971 Marshall et al. D30/108

1 Claim, 5 Drawing Sheets



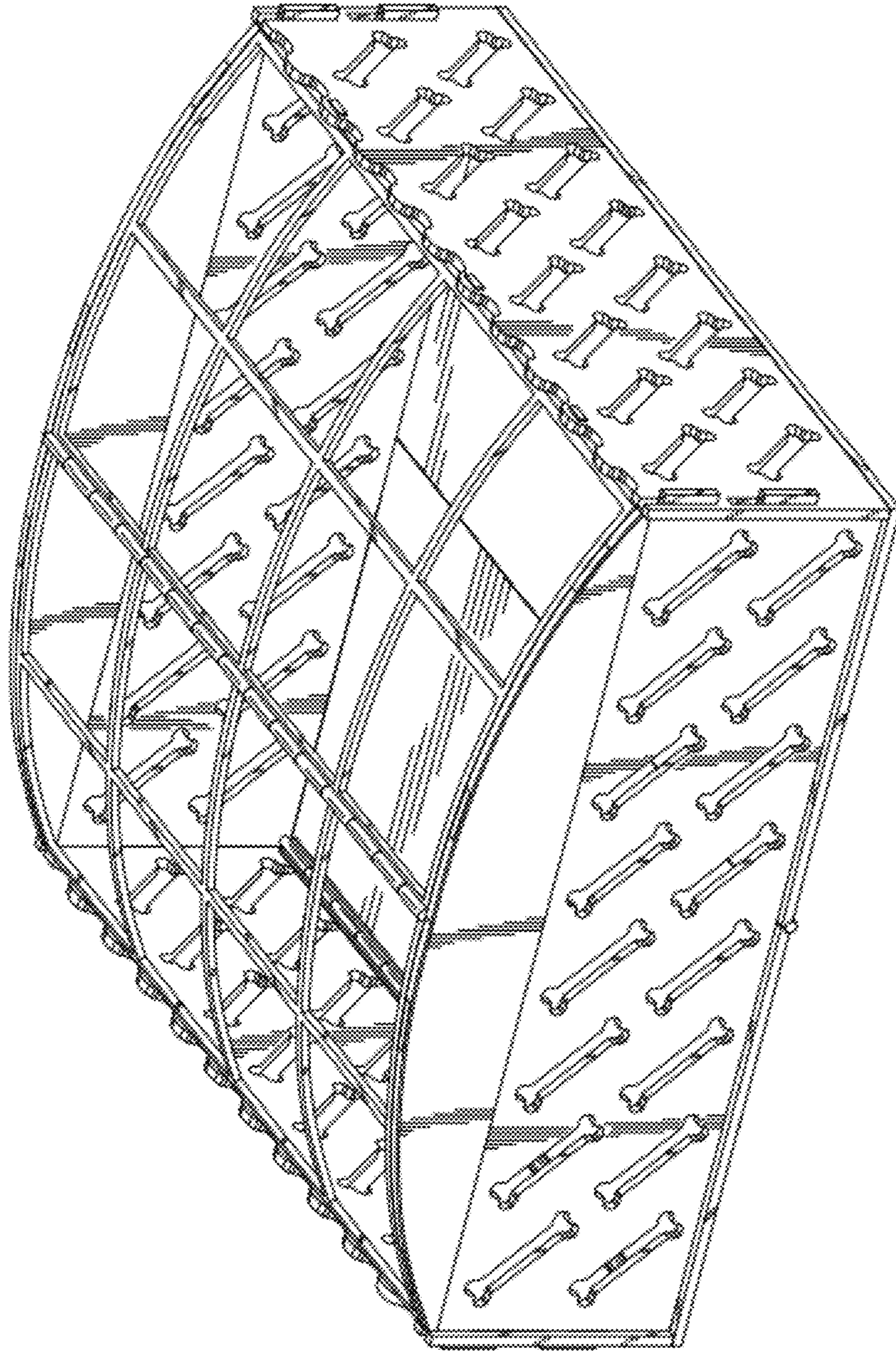


Fig. 1

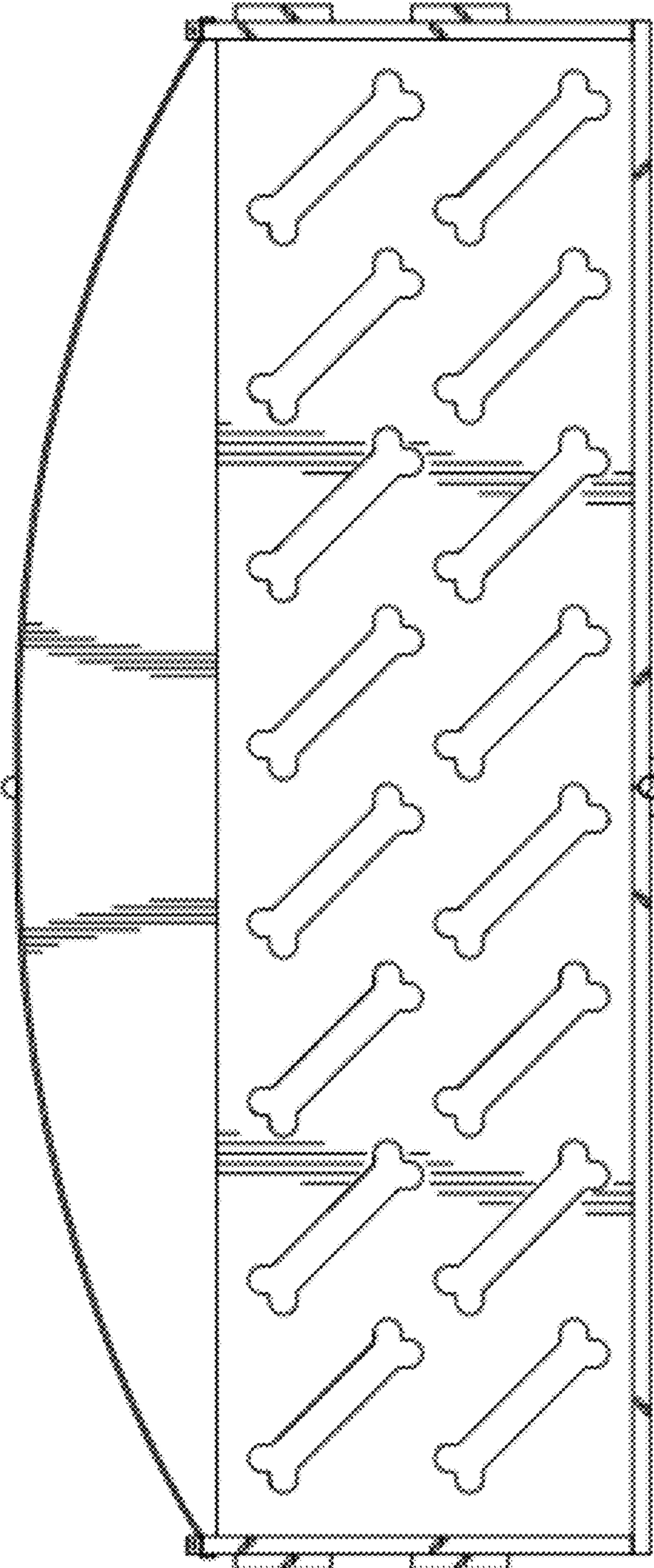


Fig. 2

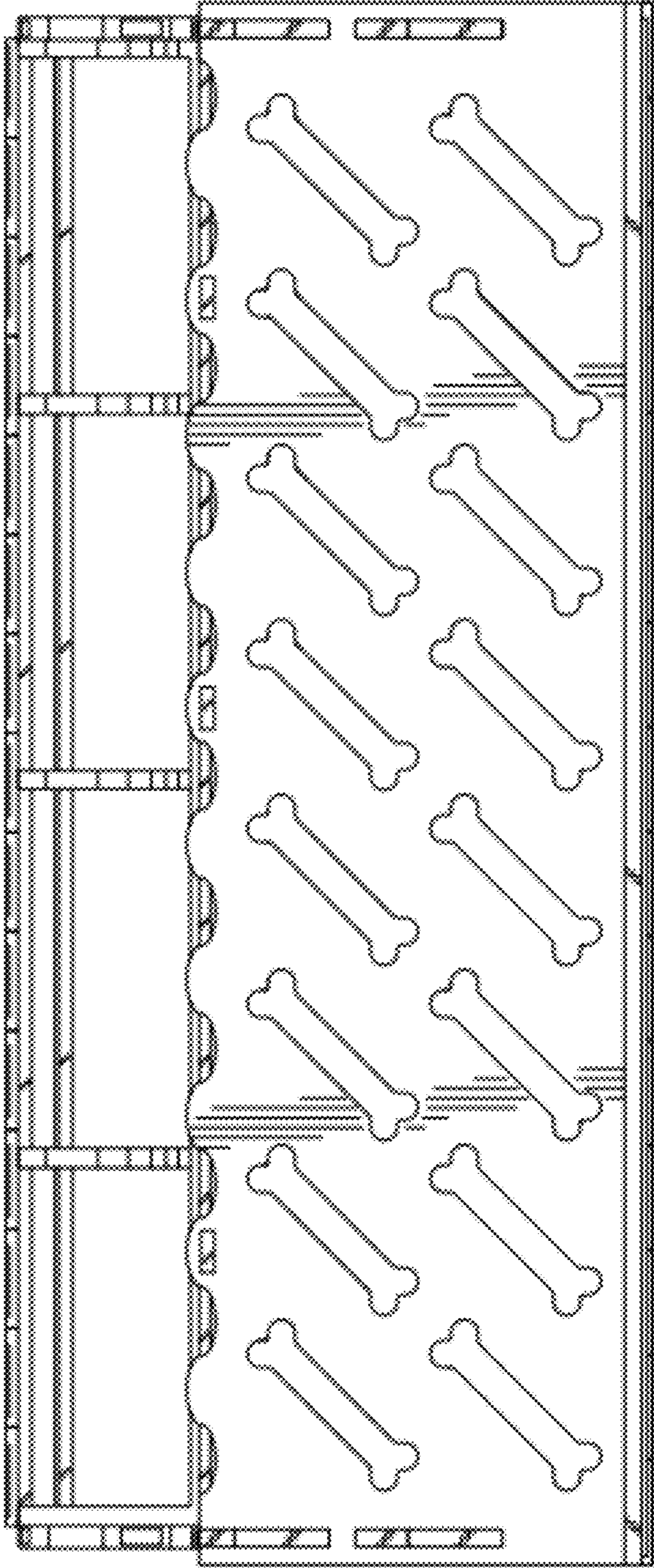


Fig. 3

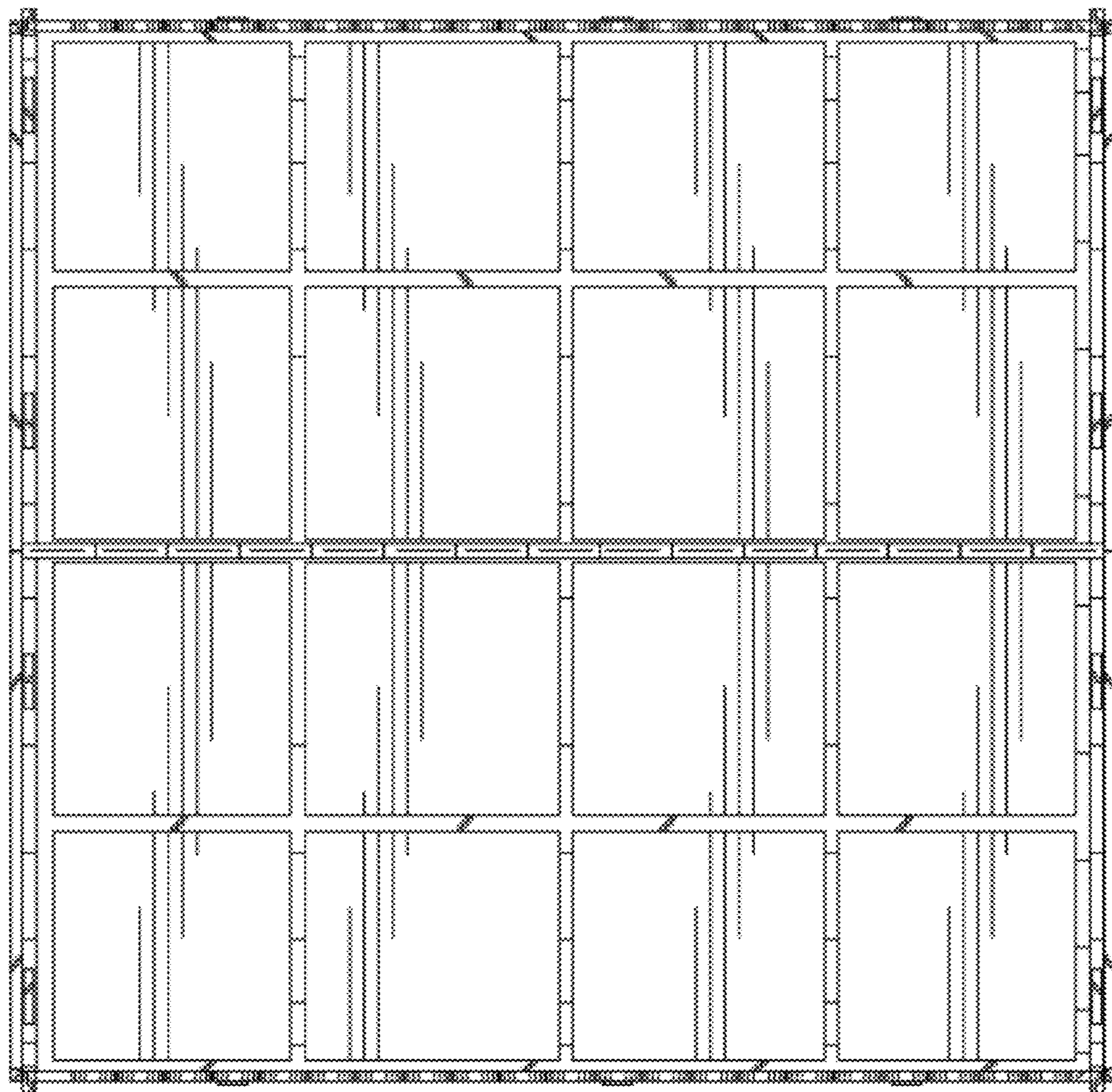


Fig. 4

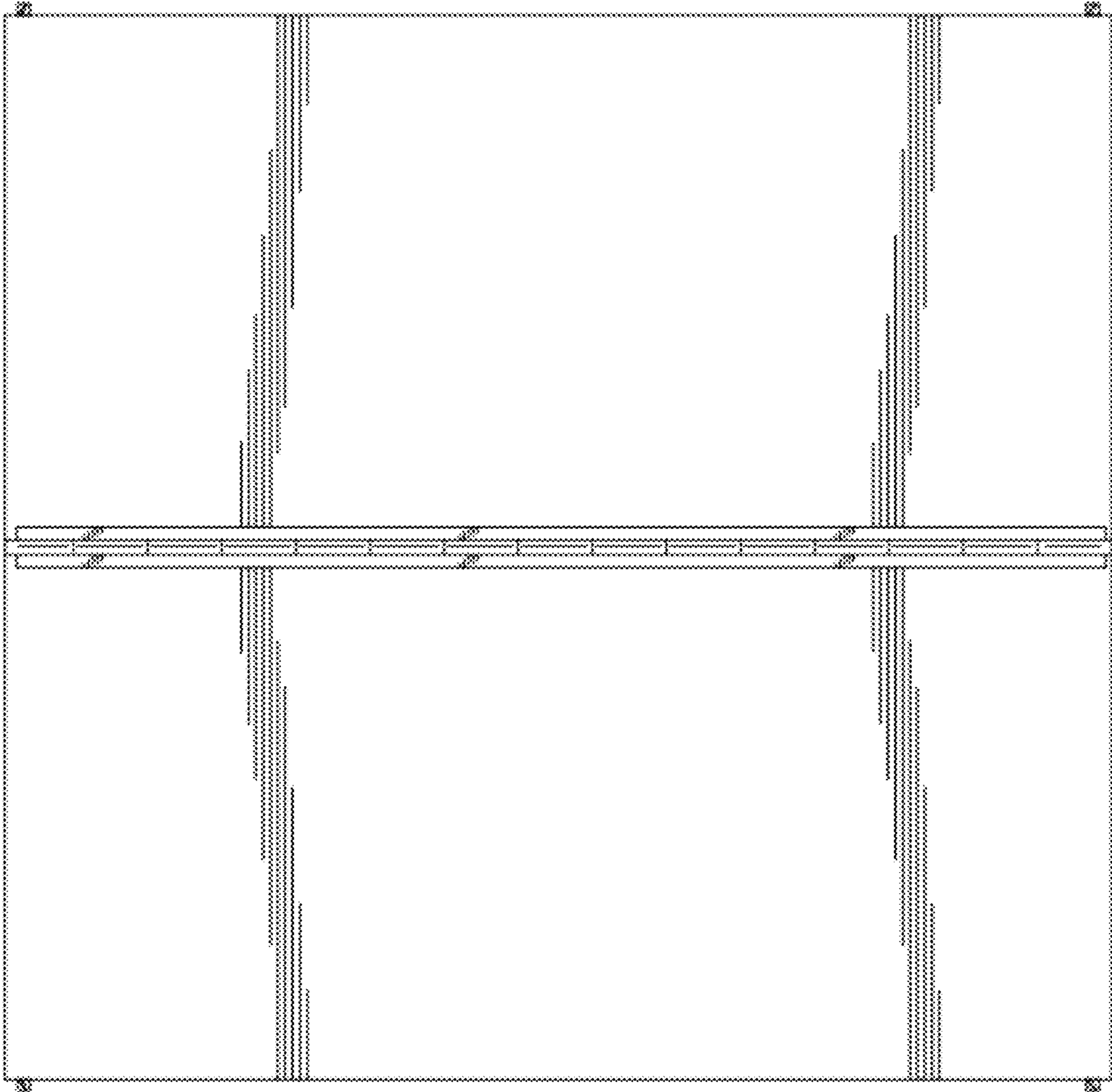


Fig. 5