



US00D661028S

(12) **United States Design Patent**  
**Hollingsworth**

(10) **Patent No.:** **US D661,028 S**

(45) **Date of Patent:** **\*\* May 29, 2012**

(54) **SWEATBAND INSERT FOR HARD HAT HEADBANDS**

(76) Inventor: **Paul D. Hollingsworth**, Weatherford, TX (US)

(\*\*) Term: **14 Years**

(21) Appl. No.: **29/401,383**

(22) Filed: **Sep. 12, 2011**

(51) **LOC (9) Cl.** ..... **29-02**

(52) **U.S. Cl.** ..... **D29/122**

(58) **Field of Classification Search** ..... D29/100, D29/102, 103, 105, 106, 108, 122; D2/865, D2/866, 867, 870, 871, 883, 891, 894; D28/39, D28/41; 2/455, 410-418, 421, 171, 171.8, 2/336, 338, 300

See application file for complete search history.

(56) **References Cited**

**U.S. PATENT DOCUMENTS**

2,205,742	A *	6/1940	Bowers	.....	2/8.1
2,483,101	A	9/1949	Nelms		
D317,523	S	6/1991	Smith		
5,025,504	A	6/1991	Benston et al.		
5,058,210	A	10/1991	Tivis		
5,088,126	A	2/1992	Mathis		
5,175,889	A *	1/1993	Infusino	.....	2/413
5,263,203	A *	11/1993	Kraemer et al.	.....	2/413
5,265,279	A	11/1993	Mathis		
D354,160	S *	1/1995	Shaffer	.....	D2/894
D364,487	S *	11/1995	Tutton et al.	.....	D29/122
5,553,326	A	9/1996	Moore		
5,920,910	A	7/1999	Calvo		
5,926,849	A *	7/1999	Boyle	.....	2/181.8
6,353,936	B2 *	3/2002	Flatt	.....	2/181
6,397,399	B1 *	6/2002	Lampe et al.	.....	2/425
D475,486	S *	6/2003	Ide et al.	.....	D29/122
D501,956	S *	2/2005	Grepper et al.	.....	D29/122

D523,180	S *	6/2006	Frye	.....	D29/122
D577,866	S *	9/2008	Frye et al.	.....	D29/122
D581,103	S *	11/2008	Fang	.....	D29/122
D581,104	S *	11/2008	Fang	.....	D29/122
D616,153	S *	5/2010	Strome	.....	D29/122
D617,503	S *	6/2010	Szalkowski et al.	.....	D29/122
D637,356	S *	5/2011	Green et al.	.....	D29/122
D640,422	S *	6/2011	Green et al.	.....	D29/122

\* cited by examiner

*Primary Examiner* — Elizabeth J Oswecki

(74) *Attorney, Agent, or Firm* — Montgomery Patent & Design, LLC; Robert C. Montgomery; Joseph T. Yaksich

(57) **CLAIM**

The ornamental design for a sweatband insert for hard hat headbands, as shown and described.

**DESCRIPTION**

FIG. 1 is a front perspective view of a sweatband insert for hard hat headbands, showing my new design;

FIG. 2 is a rear perspective view thereof;

FIG. 3 is a side perspective view thereof;

FIG. 4 is a front view thereof;

FIG. 5 is a rear view thereof;

FIG. 6 is a left side view thereof with a right side view being a mirror image;

FIG. 7 is a top view thereof;

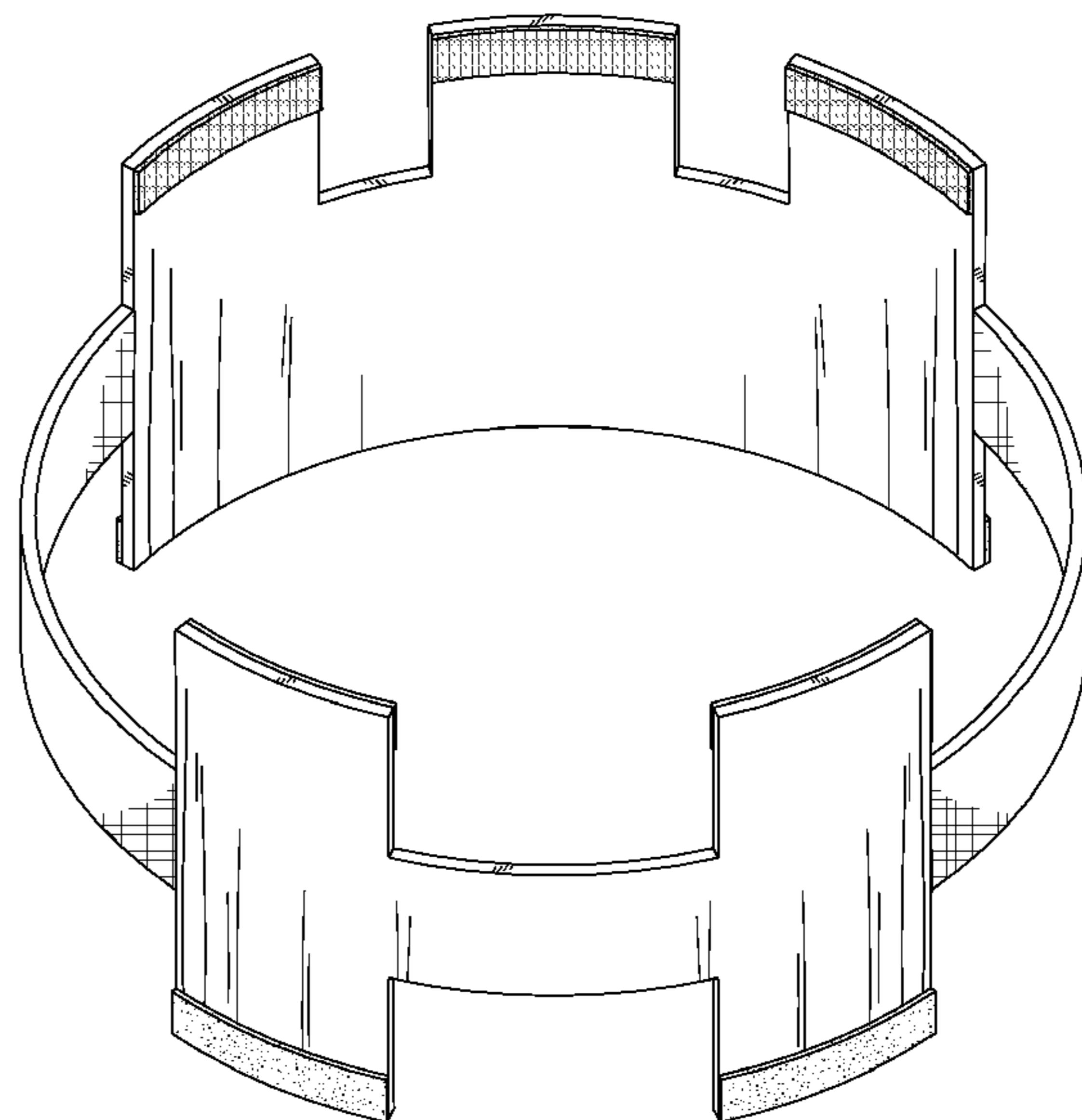
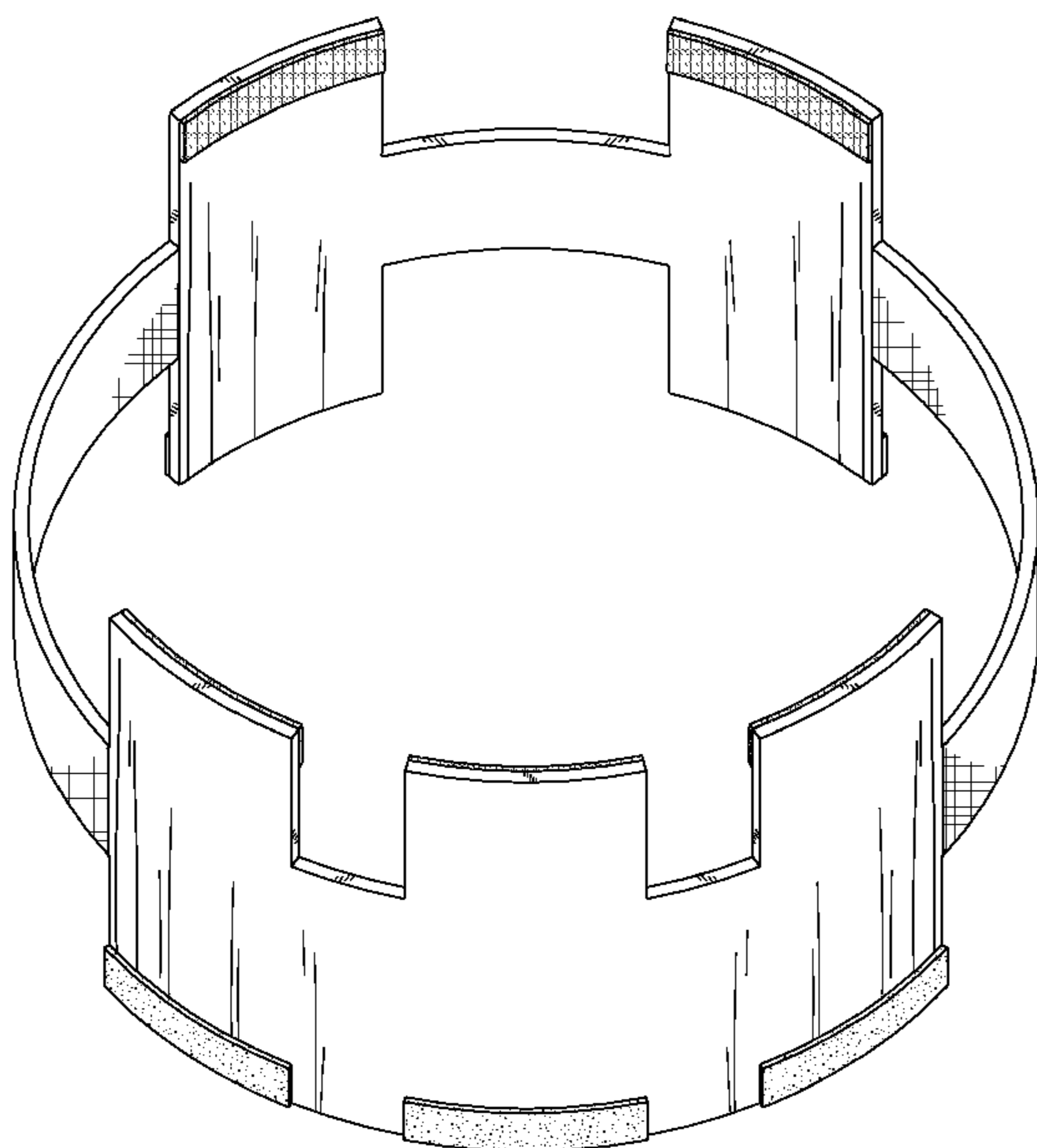
FIG. 8 is a bottom view thereof;

FIG. 9 is a front perspective view of the sweatband insert of hard hat headbands depicted in a fastened orientation; and,

FIG. 10 is an upward perspective view of a sweatband insert for hard hat headbands depicted as in the fastened orientation attached to a headband of a hard hat.

The broken line showing of a hard hat in FIG. 10 is for the purpose of illustrating environmental structure and forms no part of the claimed design.

**1 Claim, 10 Drawing Sheets**



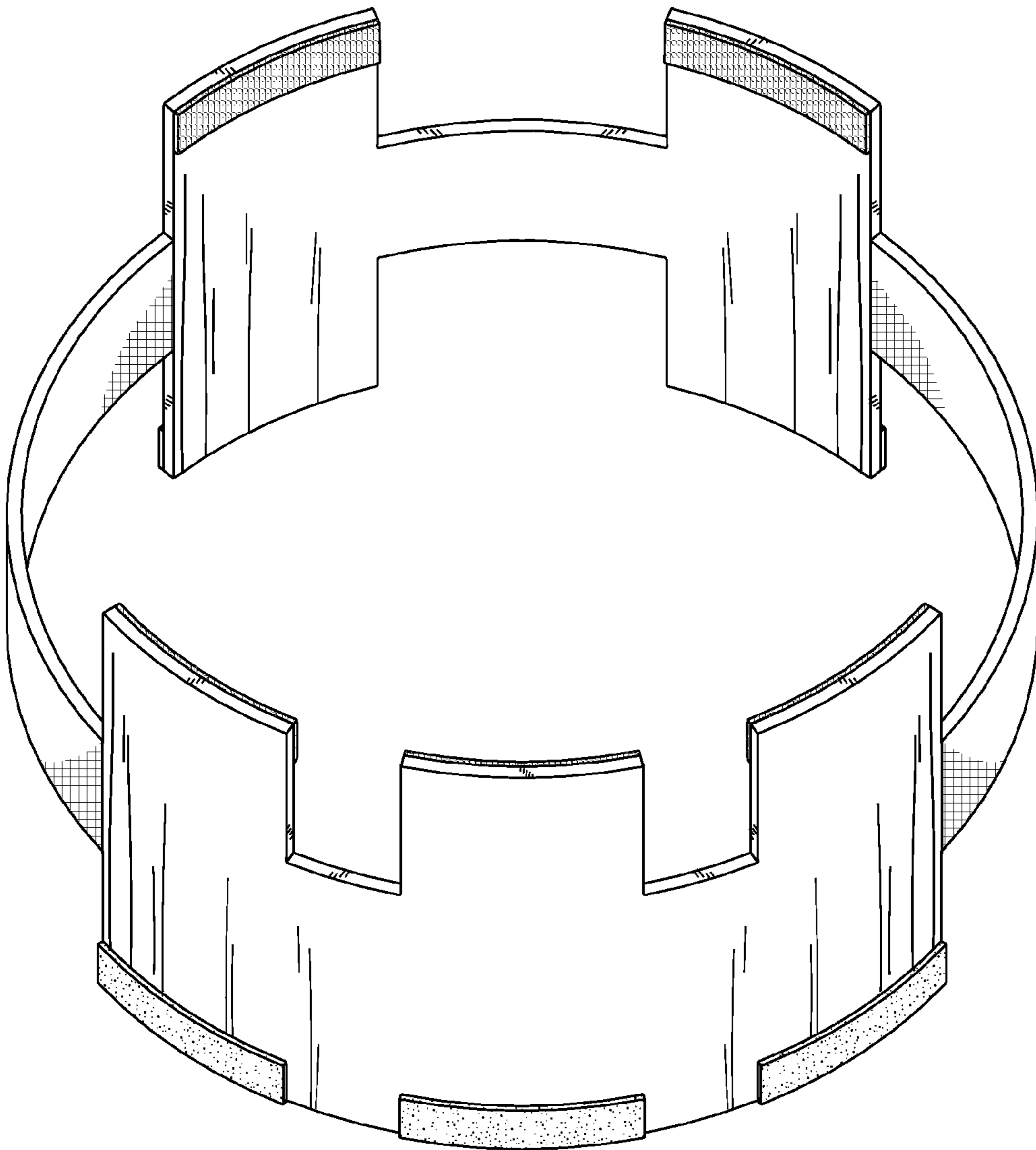


Fig. 1

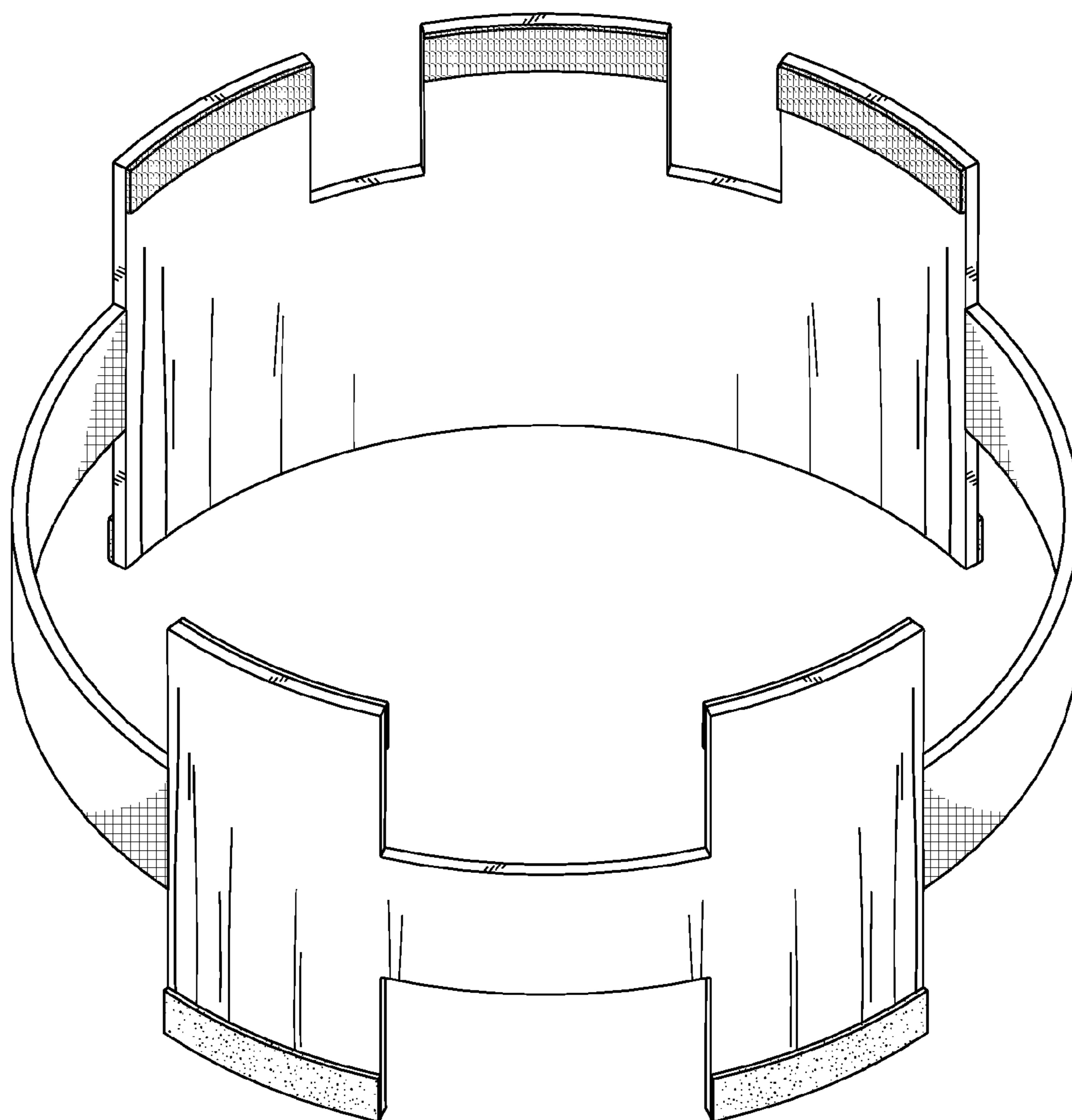


Fig. 2

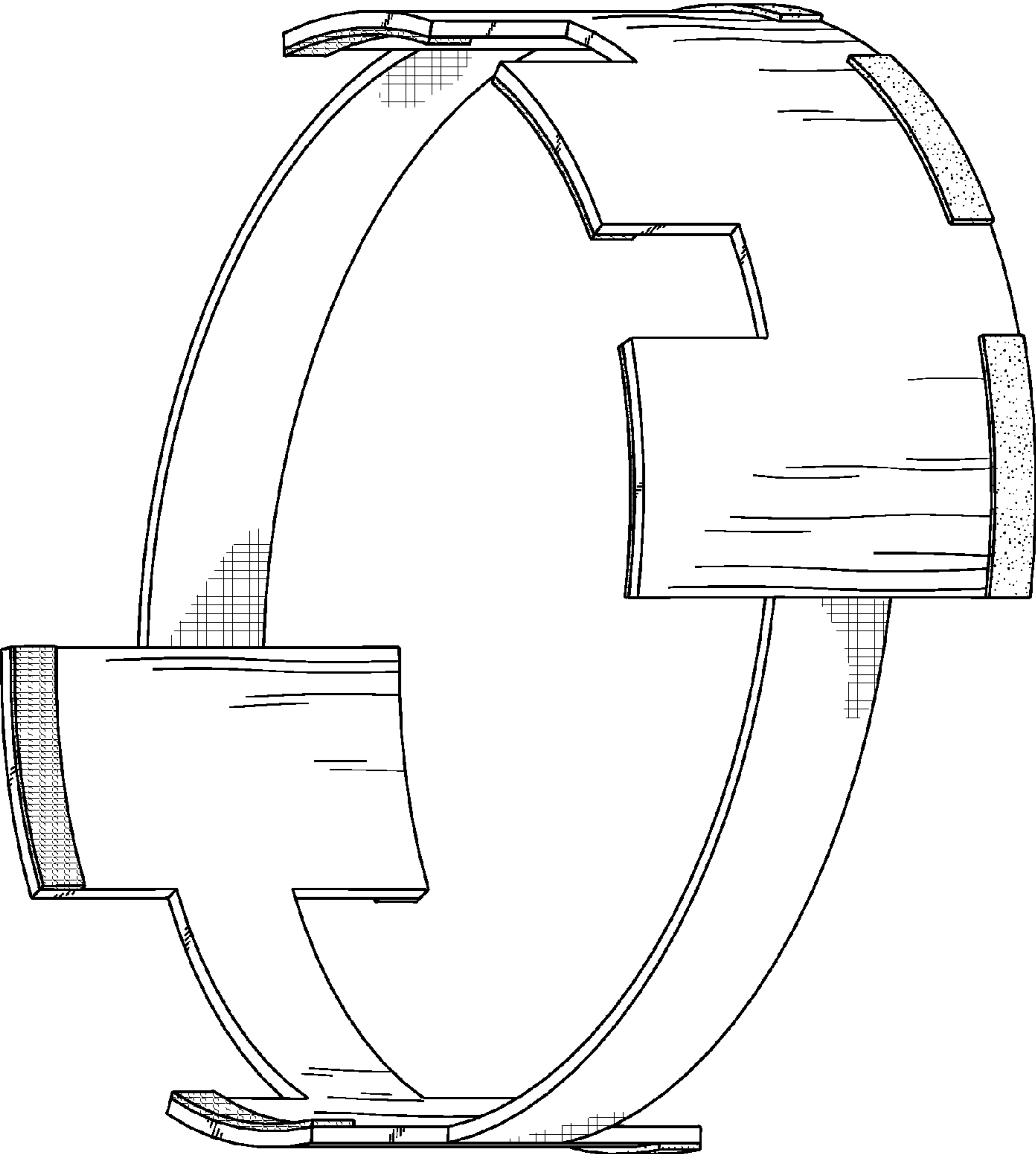


Fig. 3

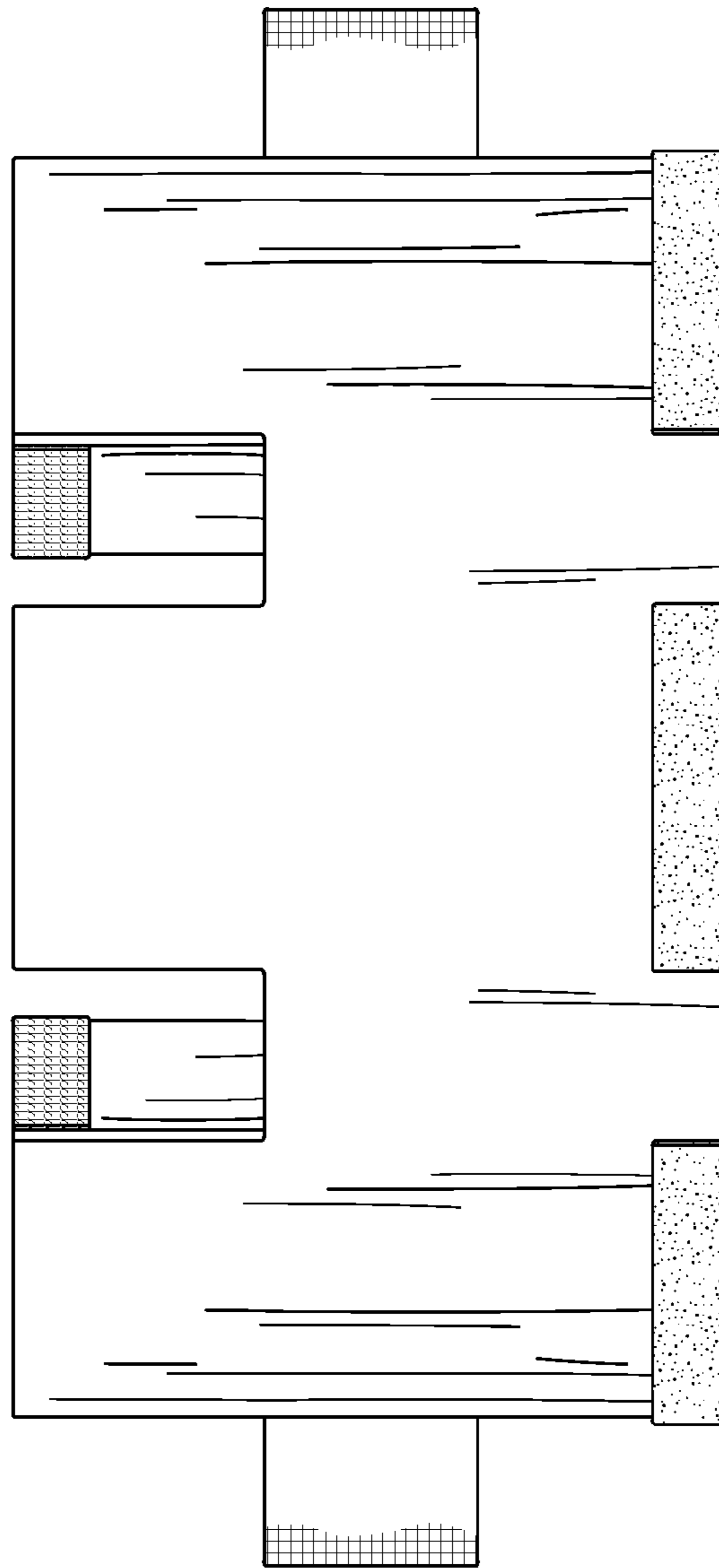


Fig. 4

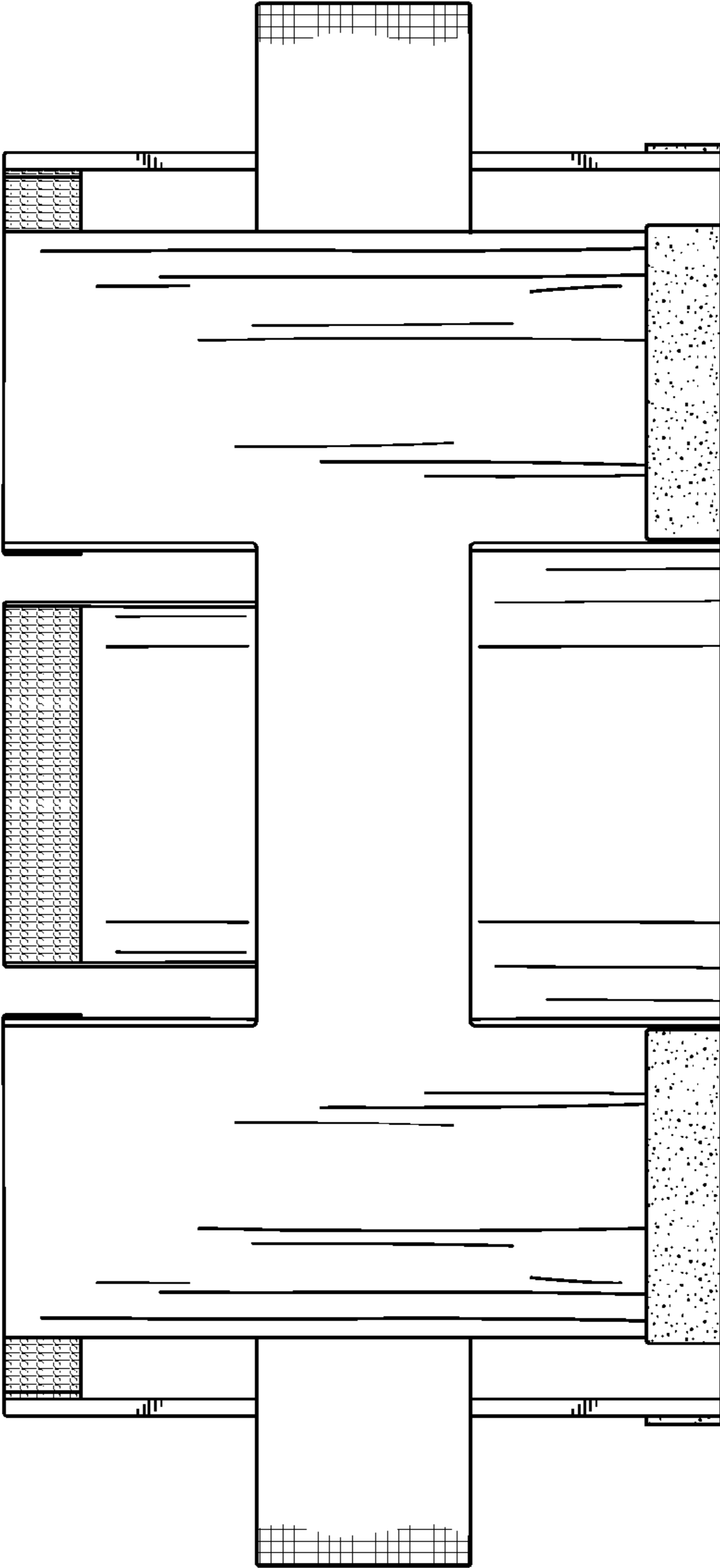


Fig. 5

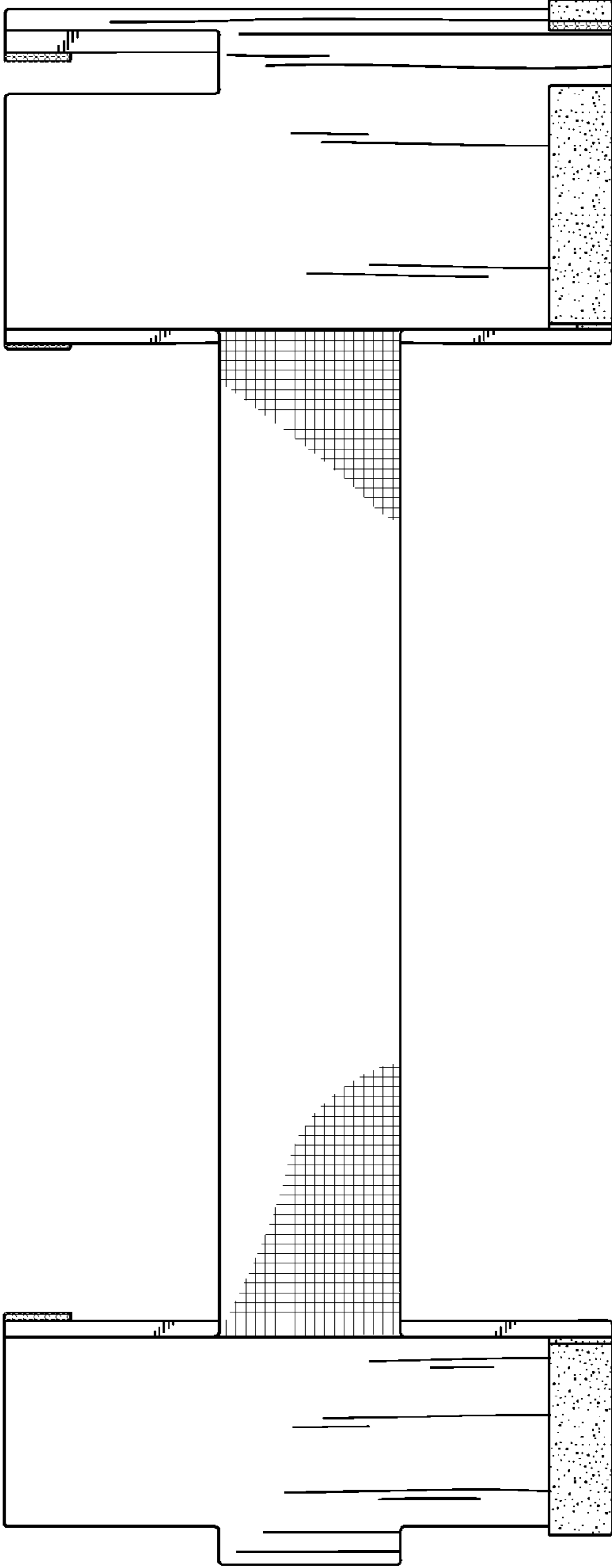


Fig. 6

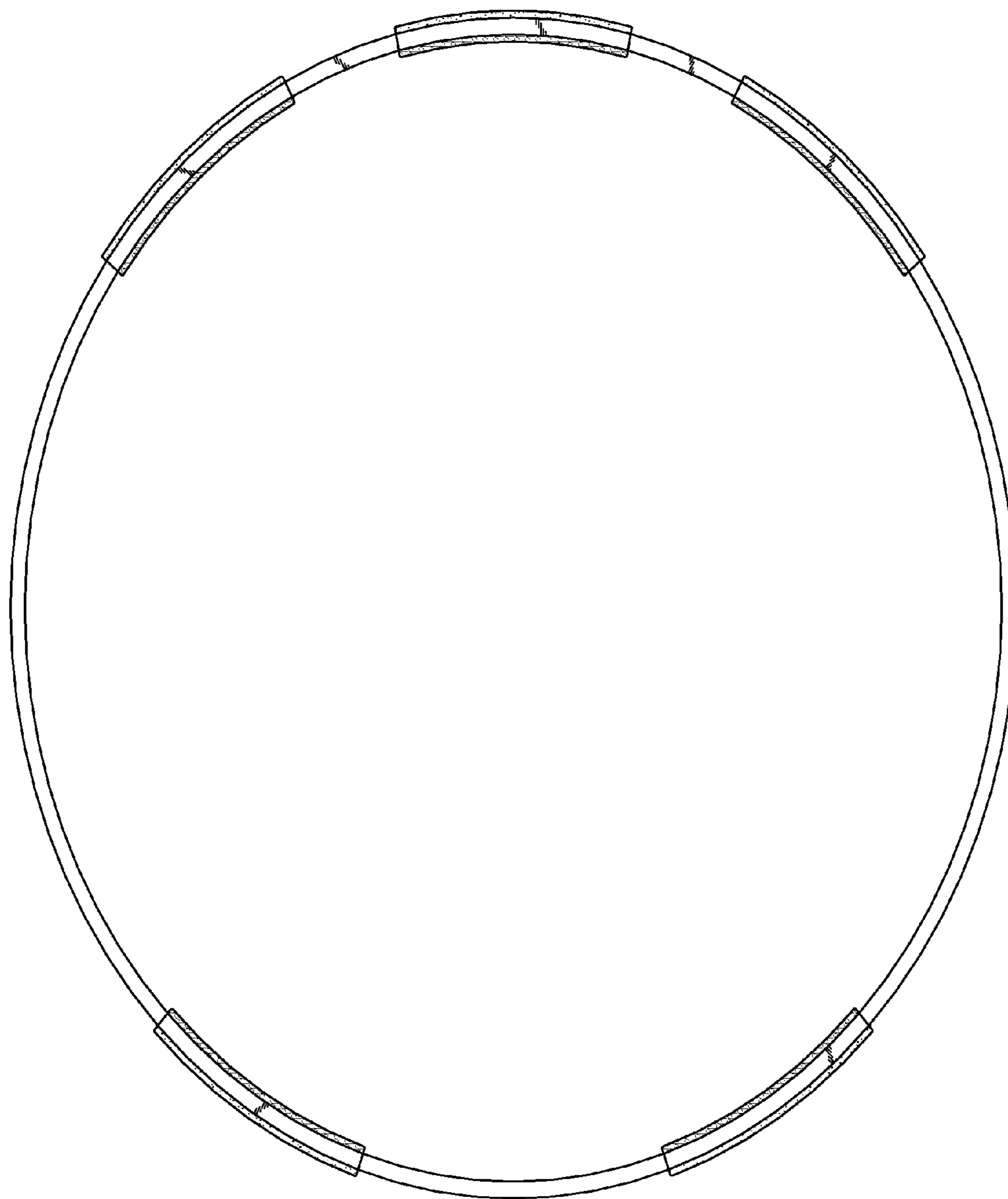


Fig. 7



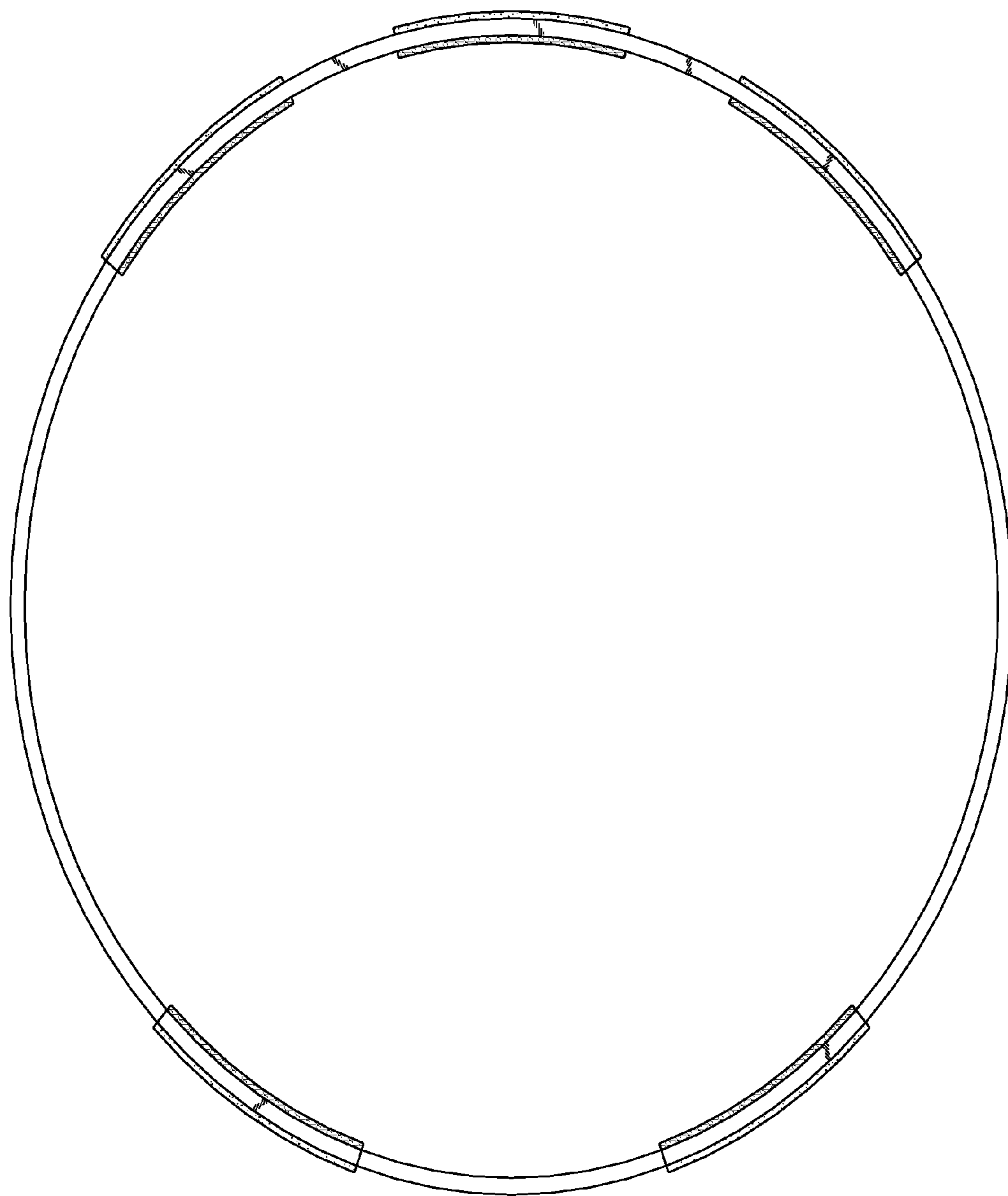


Fig. 8

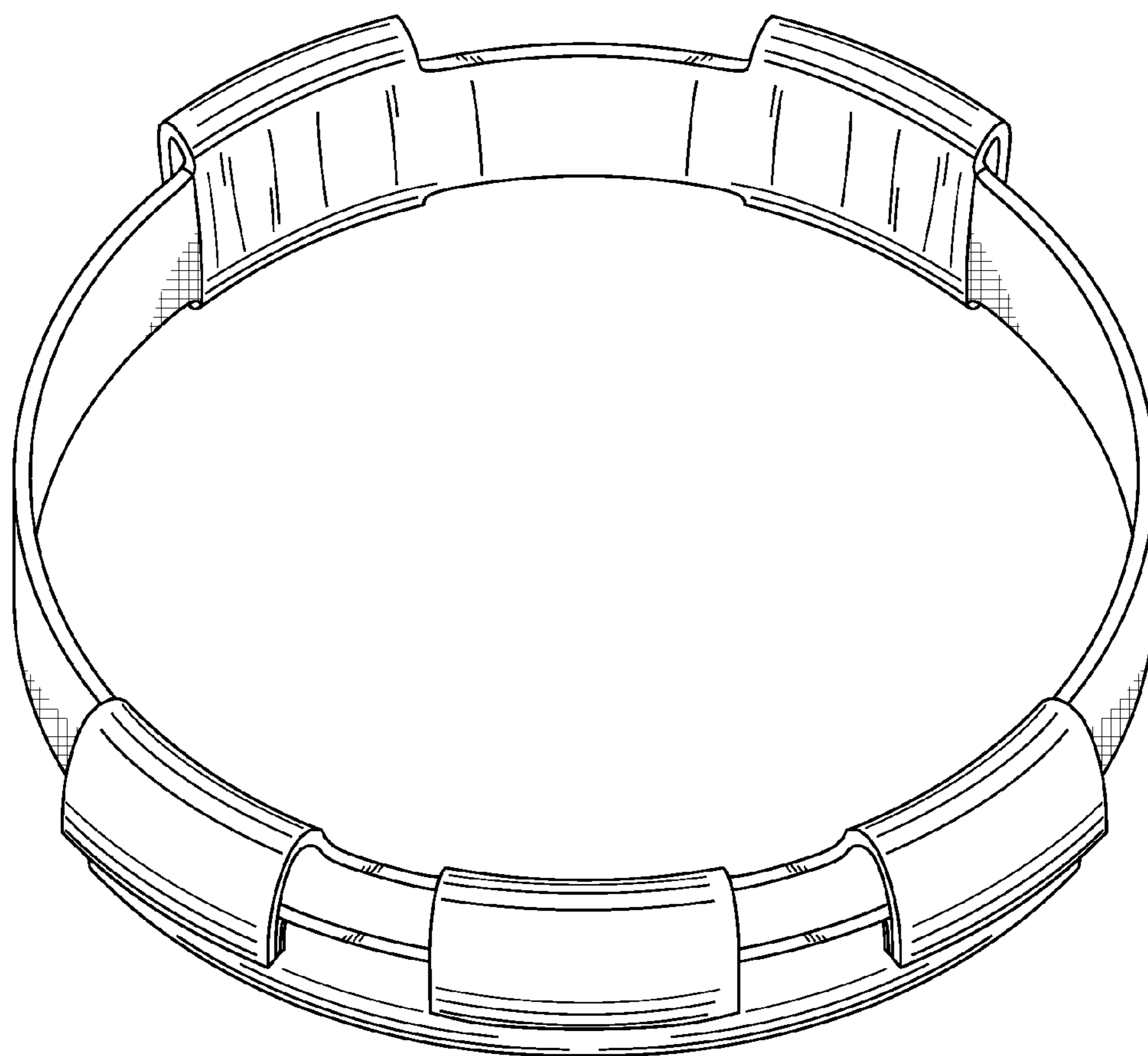


Fig. 9

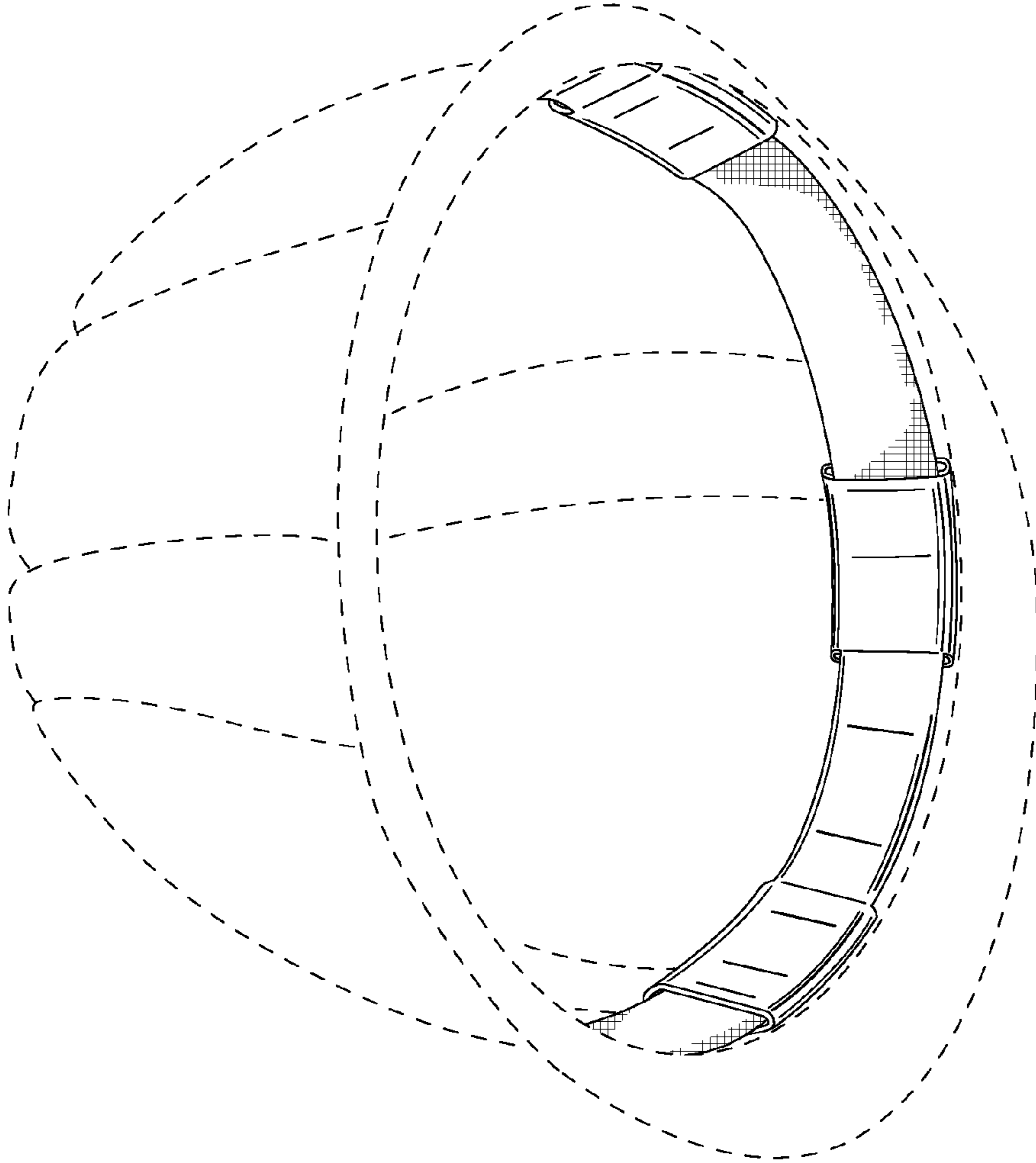


Fig. 10