

US00D661021S

(12) **United States Design Patent**
Chang

(10) **Patent No.:** **US D661,021 S**

(45) **Date of Patent:** **** May 29, 2012**

(54) **UV LED CURING MACHINE FOR FINGERNAIL GELS**

(75) Inventor: **Yu-Kuang Chang**, Placentia, CA (US)

(73) Assignee: **YCC Products Inc.**, Placentia, CA (US)

(**) Term: **14 Years**

(21) Appl. No.: **29/400,517**

(22) Filed: **Aug. 30, 2011**

(51) **LOC (9) Cl.** **28-03**

(52) **U.S. Cl.** **D28/54.1; D28/58**

(58) **Field of Classification Search** D28/54.1,
D28/56-58; 132/73.5, 73; 34/275, 202,
34/90; 250/504 R, 455.11, 492.1
See application file for complete search history.

6,518,583	B1 *	2/2003	Hennig	250/504 R
D472,348	S *	3/2003	Kurz et al.	D28/54.1
6,708,697	B1 *	3/2004	Ziff	132/73
6,762,425	B1 *	7/2004	Strait	250/504 R
D532,931	S *	11/2006	Chang	D28/54.1
7,712,473	B1 *	5/2010	Robinson et al.	132/73
D641,105	S *	7/2011	Chan	D28/58
7,980,252	B2 *	7/2011	Yue	132/73.5
D643,576	S *	8/2011	Chan	D28/58
2006/0260628	A1 *	11/2006	Chan	132/73
2010/0293805	A1 *	11/2010	Chang	34/202
2011/0277338	A1 *	11/2011	Li et al.	34/275

* cited by examiner

Primary Examiner — Jennifer Rivard

(74) *Attorney, Agent, or Firm* — Pro-Techtor Int'l Services

(57) **CLAIM**

The ornamental design for UV LED curing machine for fingernail gels, as shown and described.

(56) **References Cited**

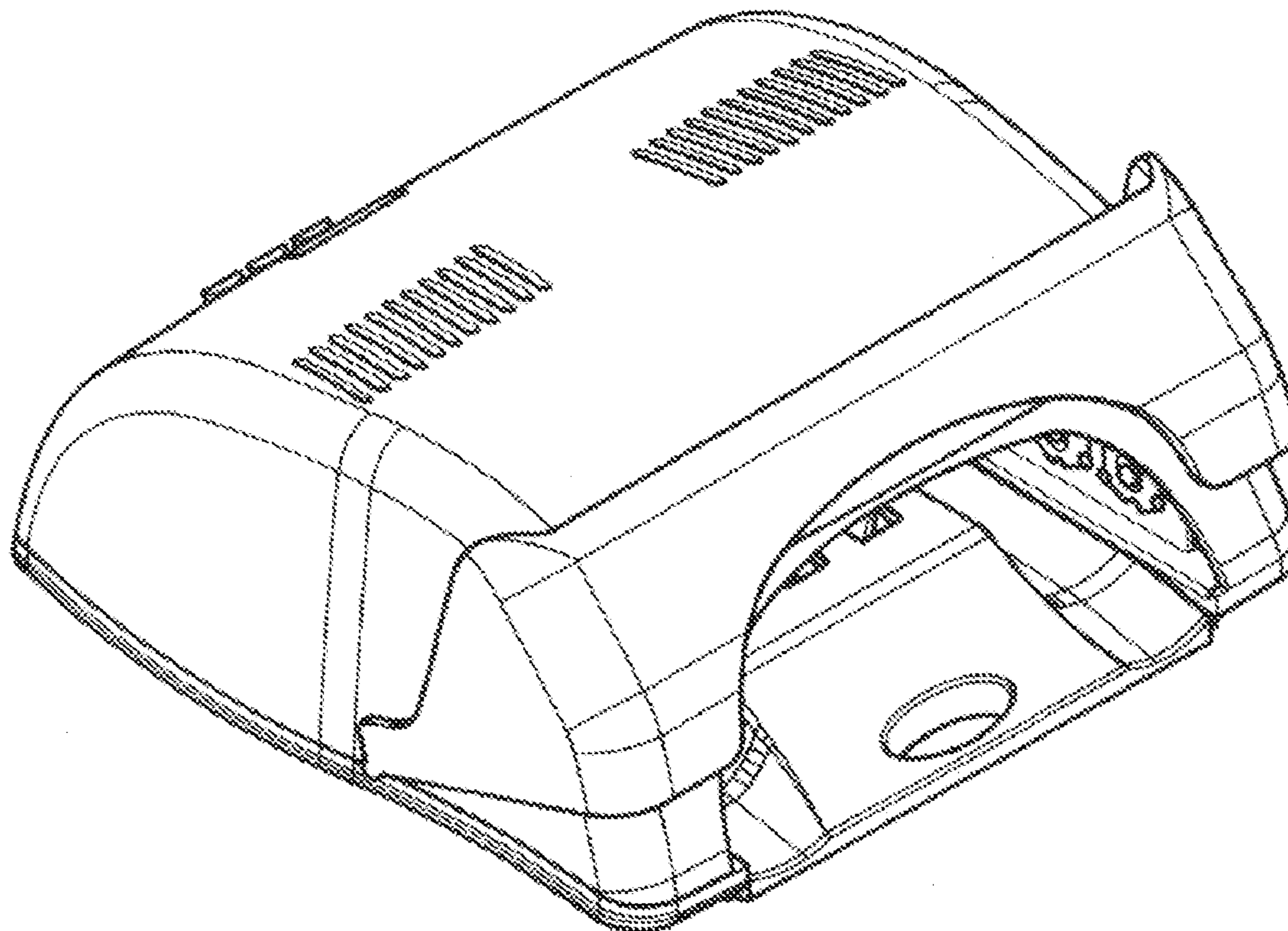
U.S. PATENT DOCUMENTS

3,287,824	A *	11/1966	Selditz	34/202
4,612,444	A *	9/1986	Ragusa	250/492.1
4,754,769	A *	7/1988	Flynn	132/73.5
D310,724	S *	9/1990	Jackson	D28/54.1
4,979,523	A *	12/1990	Grimm	132/73.5
5,130,551	A *	7/1992	Nafziger et al.	250/492.1
5,249,367	A *	10/1993	Nafziger et al.	34/275
D381,464	S *	7/1997	Schaeffer et al.	D28/54.1
D431,682	S *	10/2000	Seo	D28/54.1
D450,389	S *	11/2001	Chang	D24/210
D453,858	S *	2/2002	Tsai	D28/54.1

DESCRIPTION

FIG. 1 is a perspective view of UV LED curing machine for fingernail gels showing my new design;
FIG. 2 is a front elevational view thereof;
FIG. 3 is a rear elevational view thereof;
FIG. 4 is a left side elevational view thereof;
FIG. 5 is a right side elevational view thereof;
FIG. 6 is a top plan view thereof; and,
FIG. 7 is a bottom plan view thereof.

1 Claim, 5 Drawing Sheets



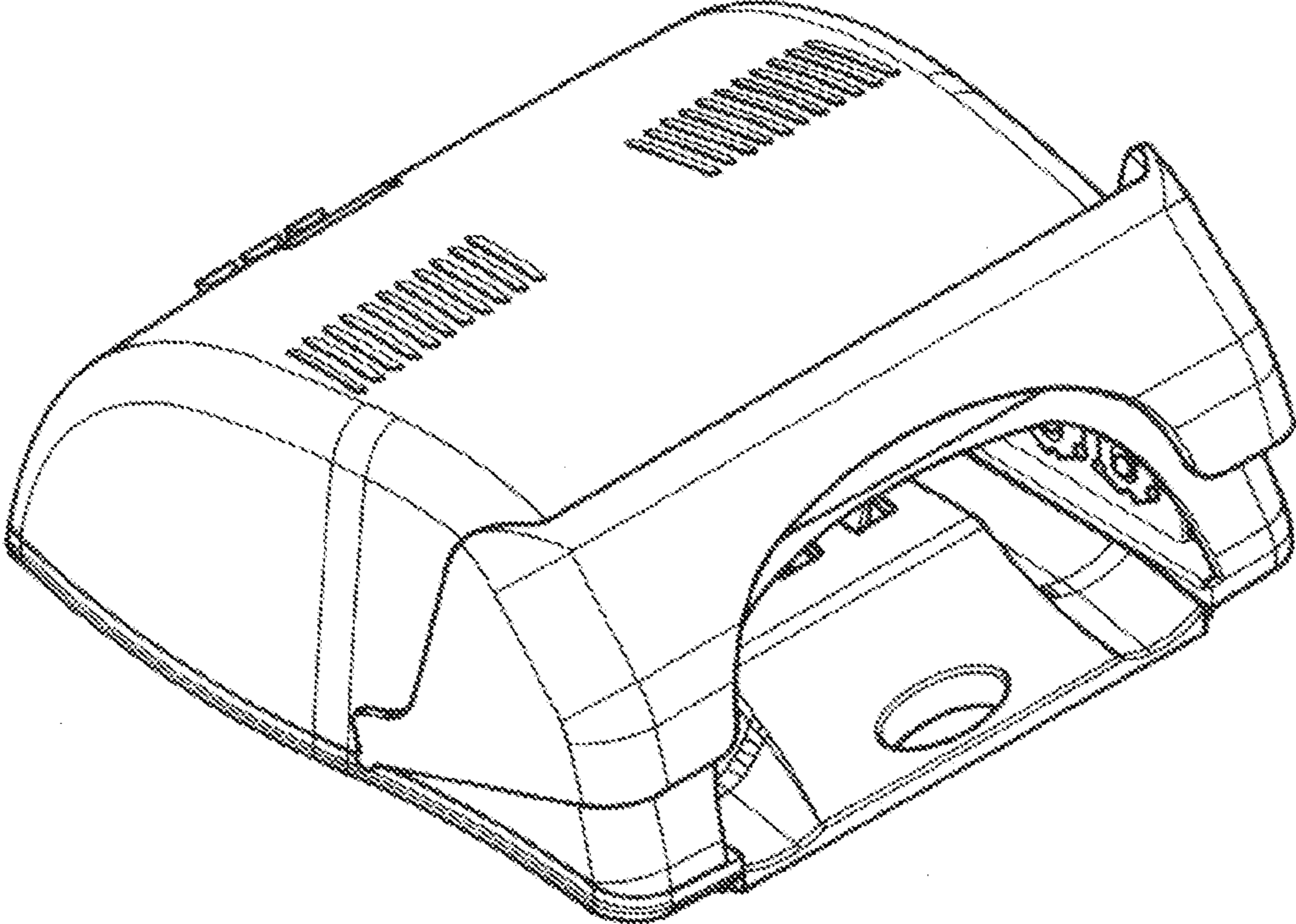


FIG. 1

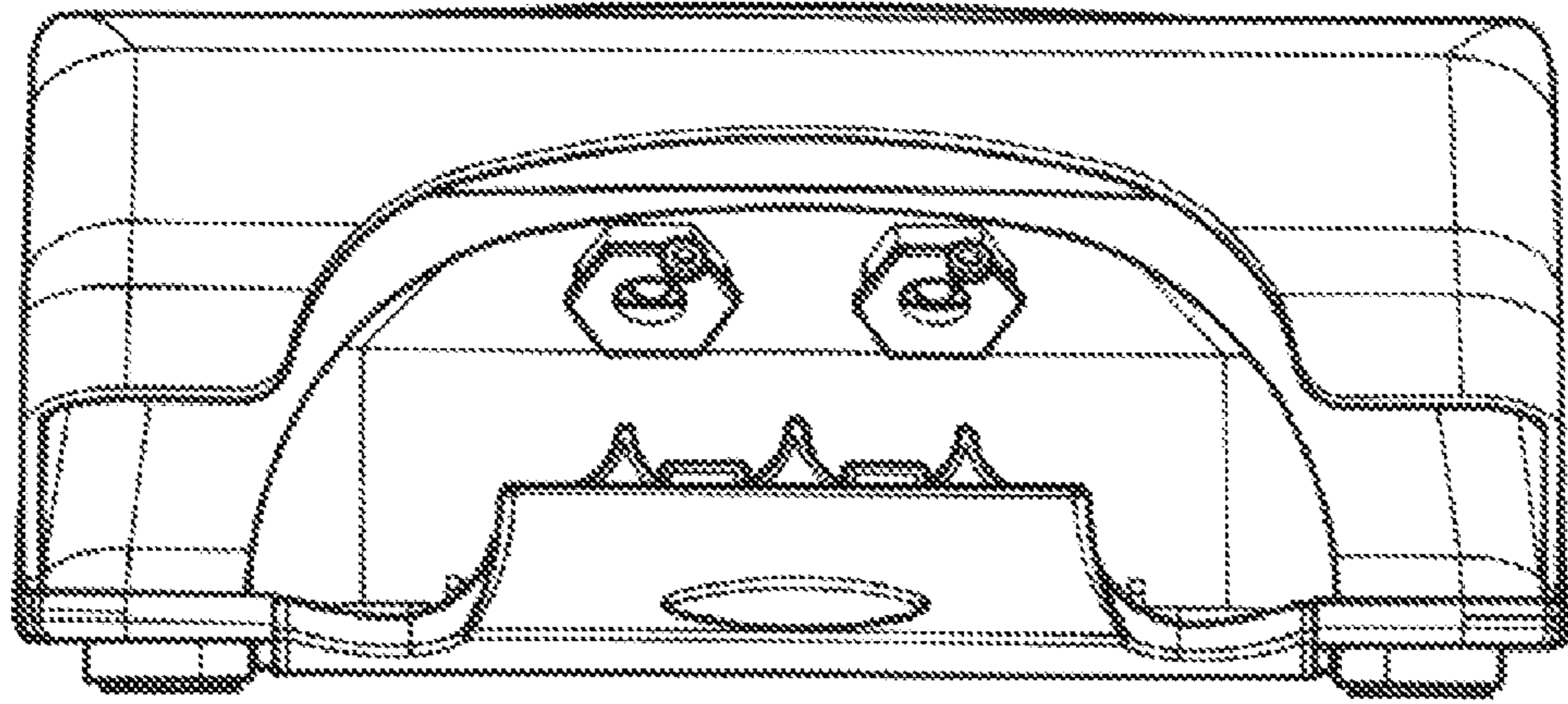


FIG. 2

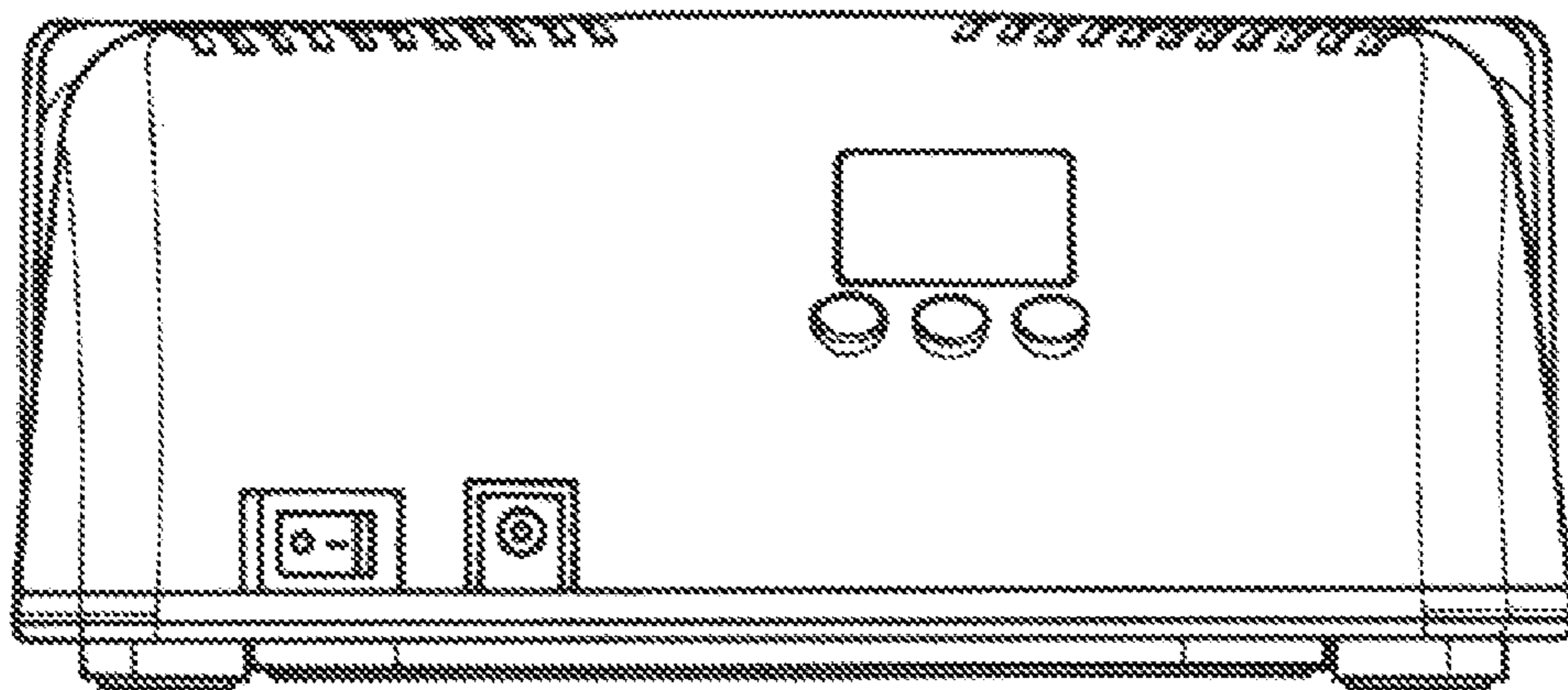


FIG. 3

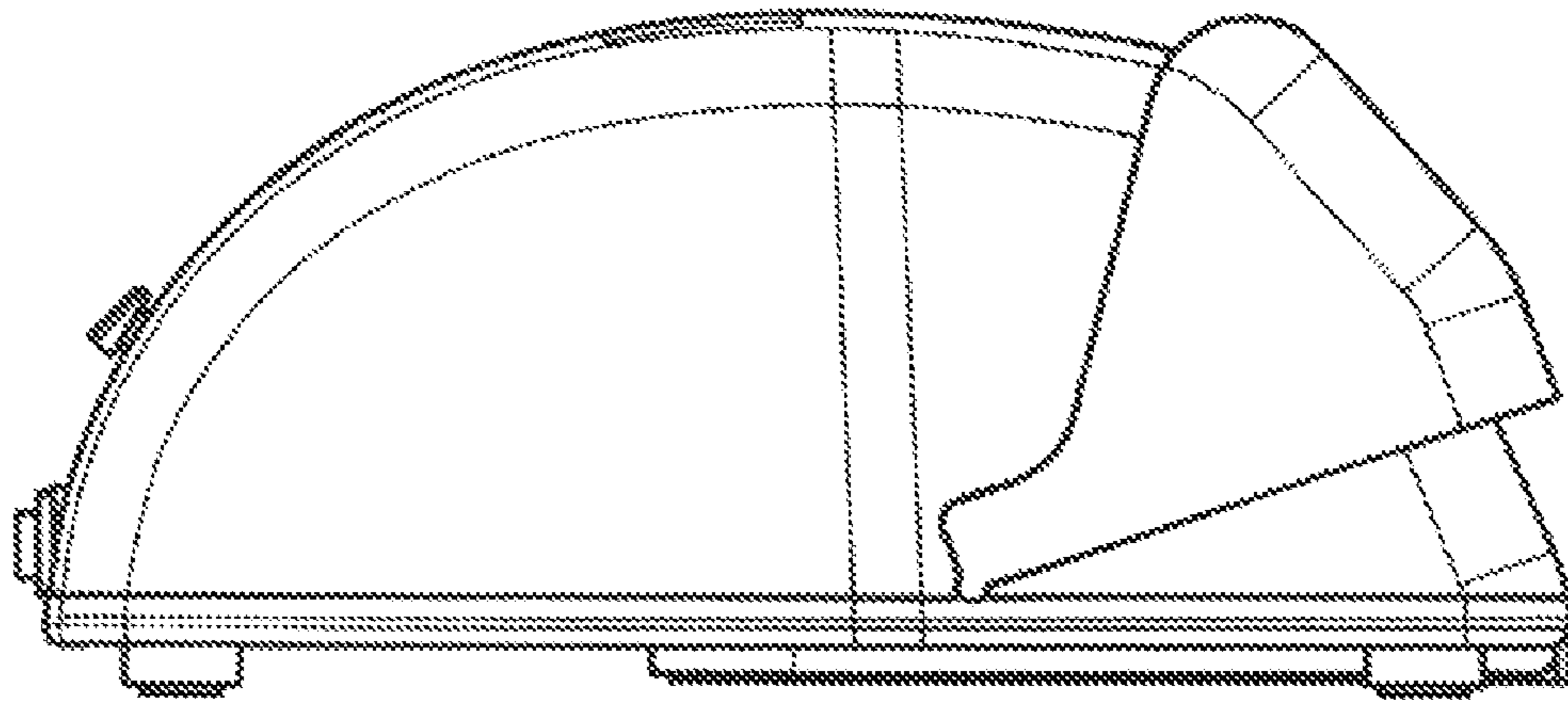


FIG. 4

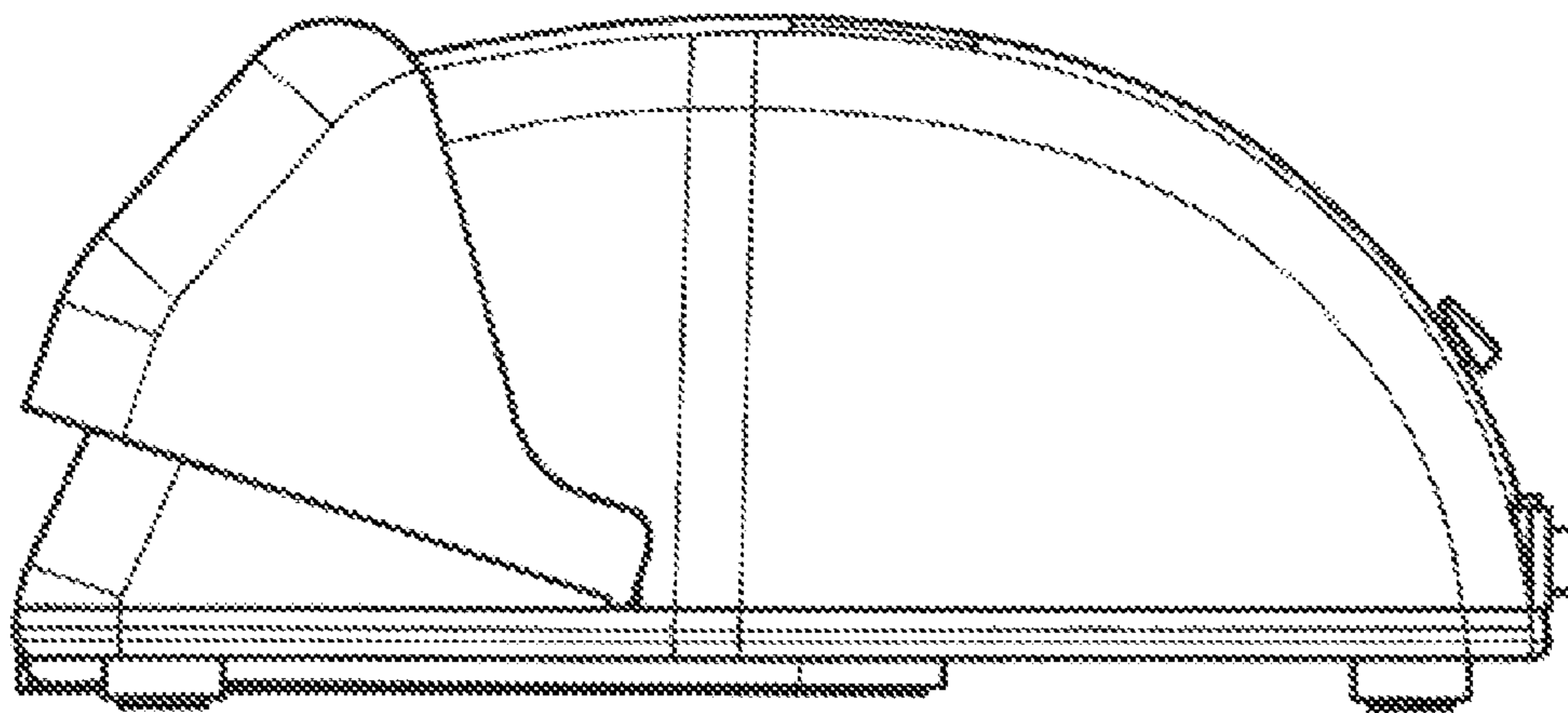


FIG. 5

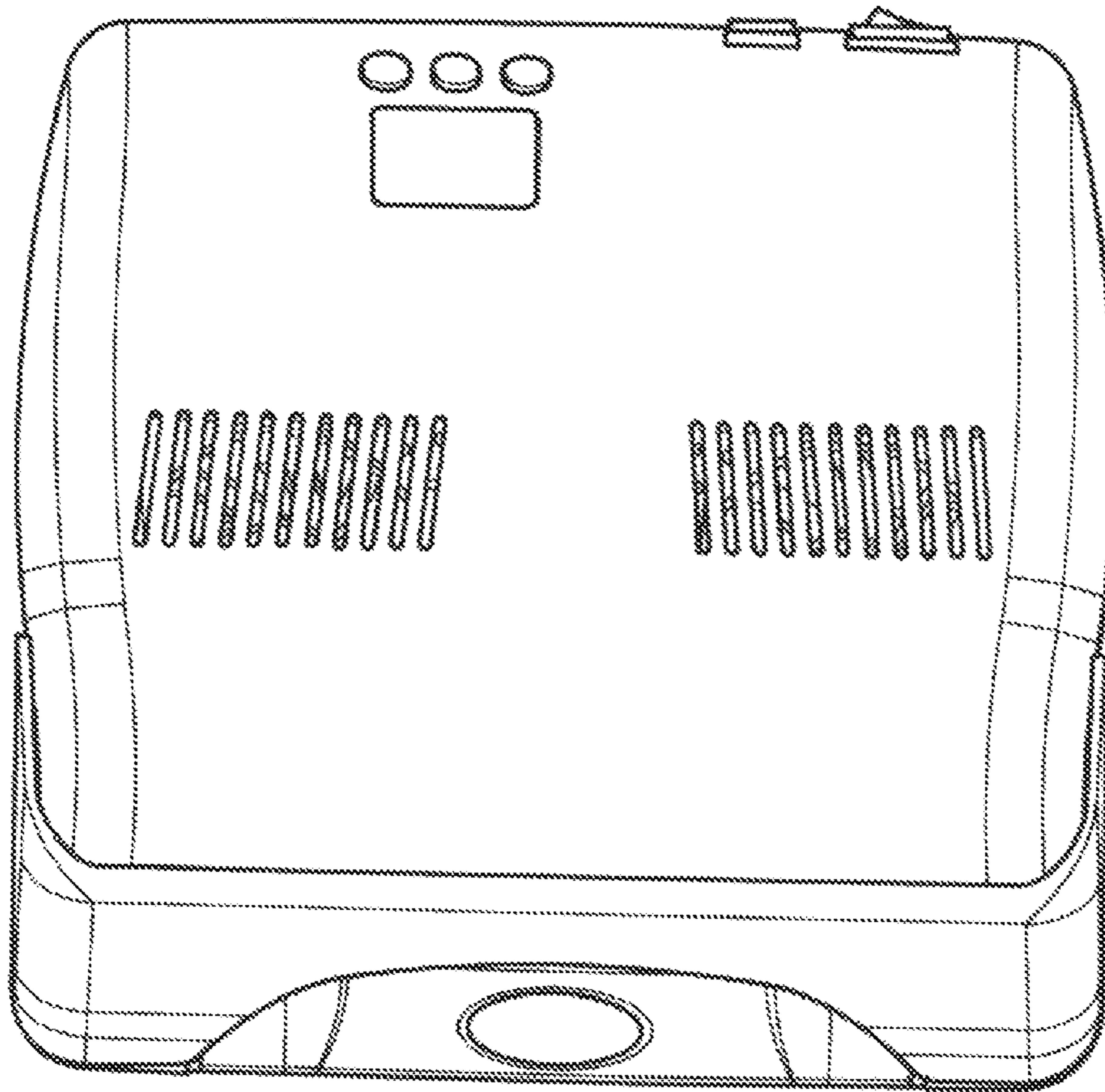


FIG.6

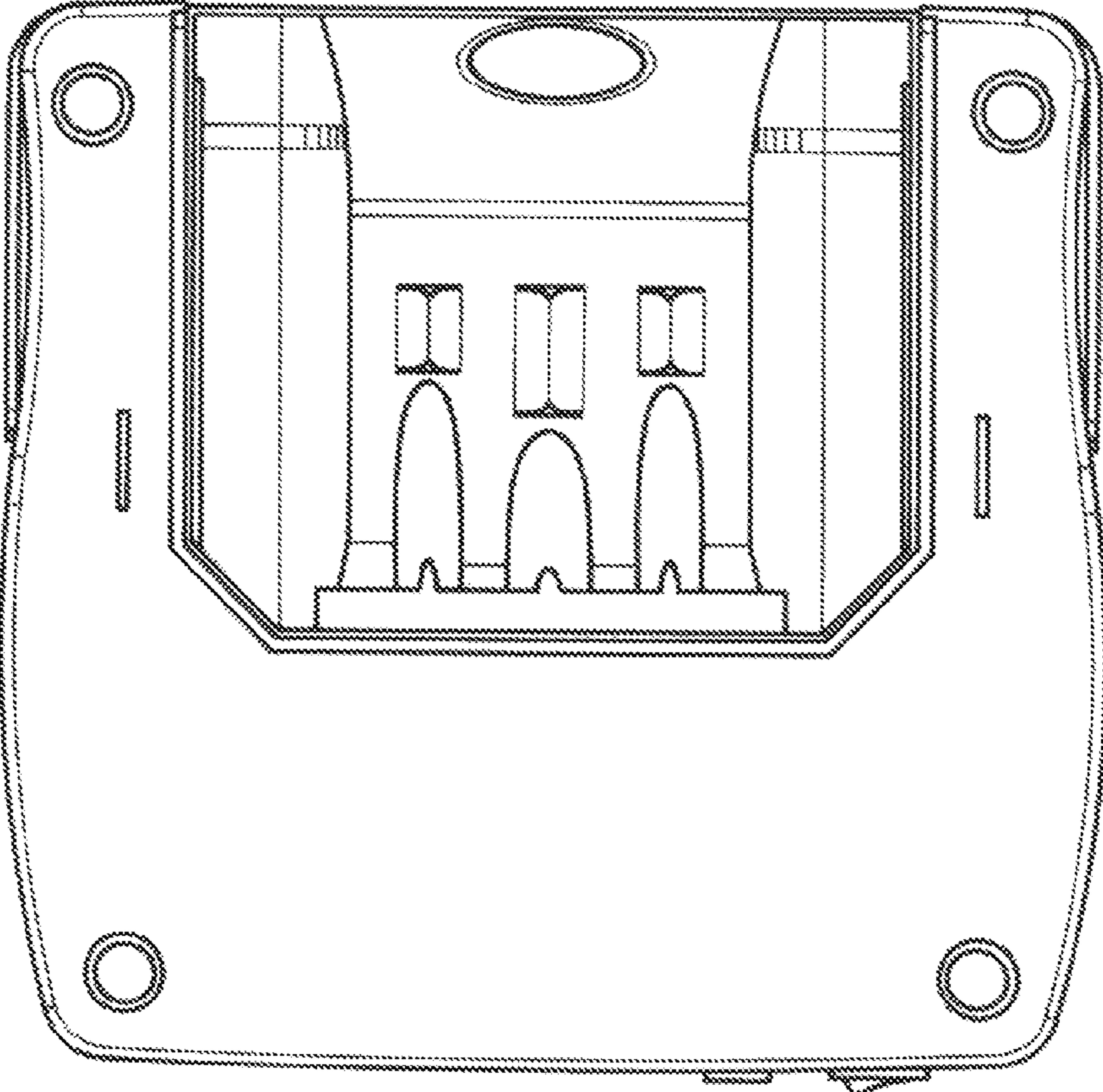


FIG. 7