



US00D661020S

(12) **United States Design Patent**
Wain et al.

(10) **Patent No.:** **US D661,020 S**
(45) **Date of Patent:** **** May 29, 2012**

- (54) **SHAVING RAZOR**
- (75) Inventors: **Kevin James Wain**, Reading (GB);
Christian Reber Wester, Somerville,
MA (US)
- (73) Assignee: **The Gillette Company**, Boston, MA
(US)
- (**) Term: **14 Years**
- (21) Appl. No.: **29/403,001**
- (22) Filed: **Sep. 30, 2011**
- (51) **LOC (9) Cl.** **28-03**
- (52) **U.S. Cl.** **D28/46**
- (58) **Field of Classification Search** D28/44-48;
30/32, 34.05, 34.1-34.2, 42-61, 77-84, 526-538,
30/346.5-346.61
See application file for complete search history.

- D633,254 S 2/2011 Witkus
- D634,894 S 3/2011 Cataudella
- D635,716 S * 4/2011 Rhoad D28/46
- D636,533 S * 4/2011 Andersen et al. D28/48
- D640,414 S * 6/2011 Wonderley et al. D28/46
- D646,436 S * 10/2011 Furuta D28/48

* cited by examiner

Primary Examiner — Jennifer Rivard

(74) *Attorney, Agent, or Firm* — John M. Lipchitz; Kevin C. Johnson; Steven W. Miller

(57) **CLAIM**

The ornamental design for a shaving razor, as shown and described.

DESCRIPTION

FIG. 1 is a perspective view of a shaving razor of the present invention;
 FIG. 2 is a front view thereof;
 FIG. 3 is a rear view thereof;
 FIG. 4 is a right side view thereof;
 FIG. 5 is a left side view thereof;
 FIG. 6 is a top view thereof; and,
 FIG. 7 is a bottom view thereof.
 The broken lines are shown for illustrative purposes only and form no part of the claimed design.

1 Claim, 5 Drawing Sheets

(56) **References Cited**

U.S. PATENT DOCUMENTS

- 5,689,883 A 11/1997 Ortiz et al.
- 5,781,997 A 7/1998 Ferraro et al.
- D402,084 S 12/1998 Chen et al.
- D478,687 S 8/2003 Provost
- 6,941,659 B2 9/2005 Gilder
- D618,851 S * 6/2010 Christie et al. D28/47

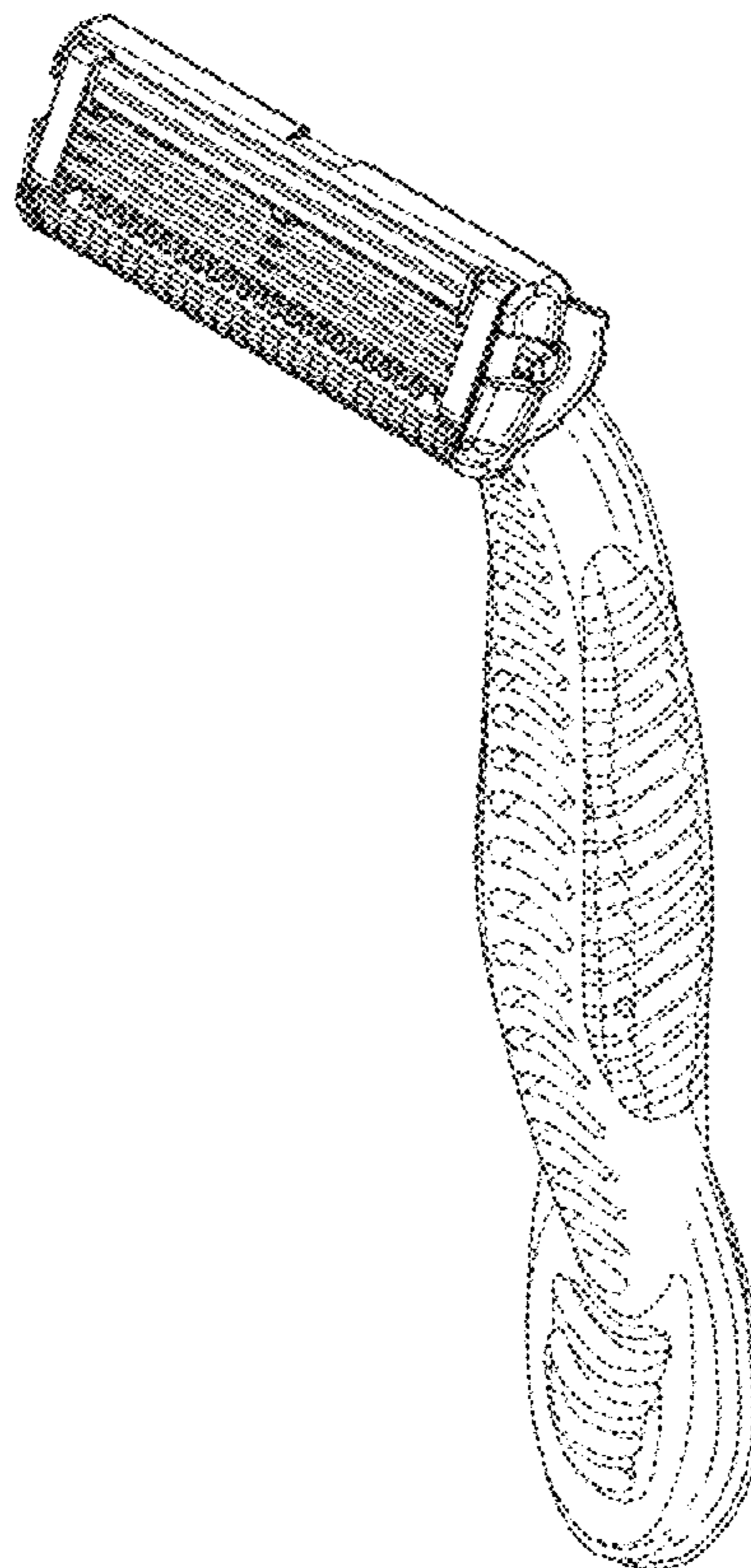


FIG. 1

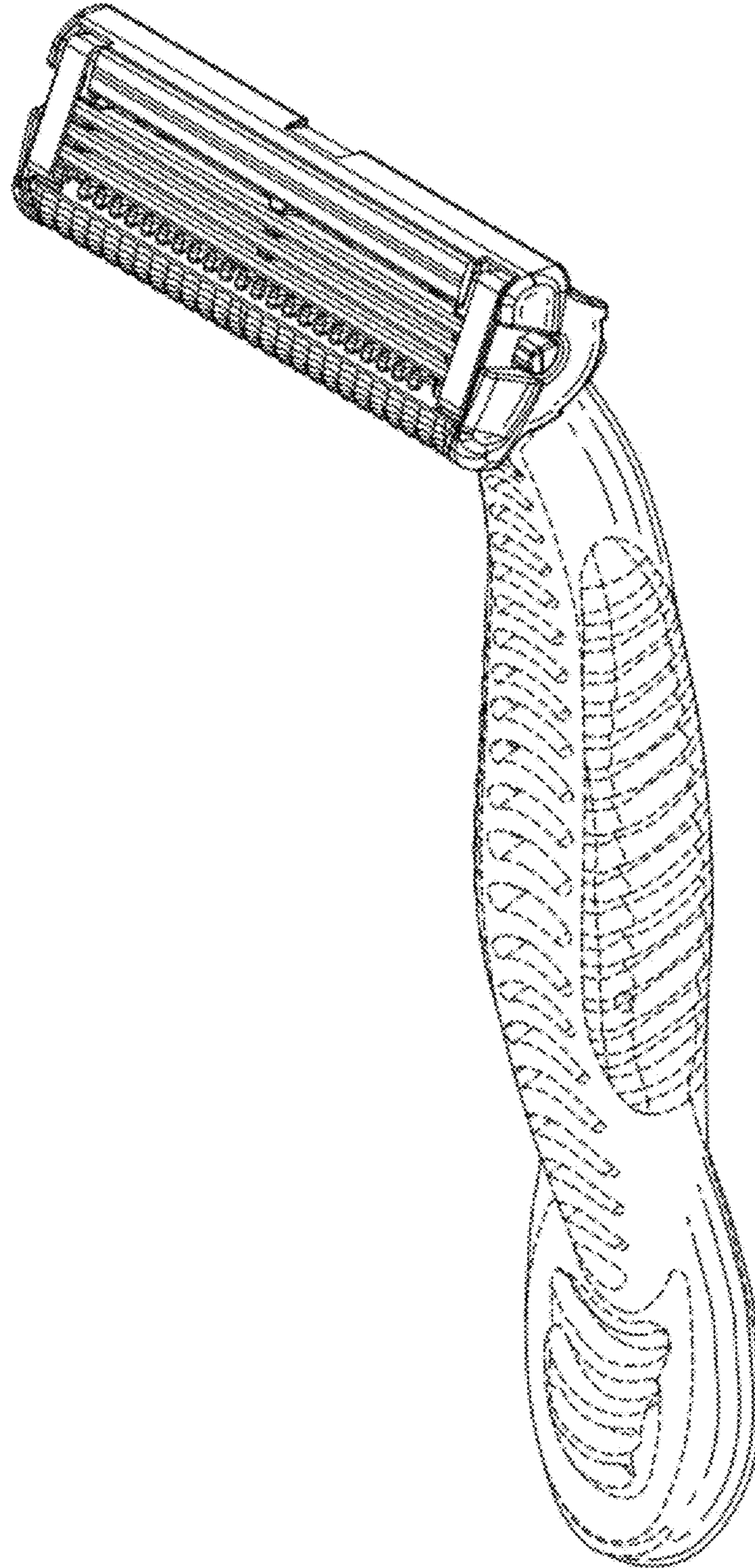


FIG. 2

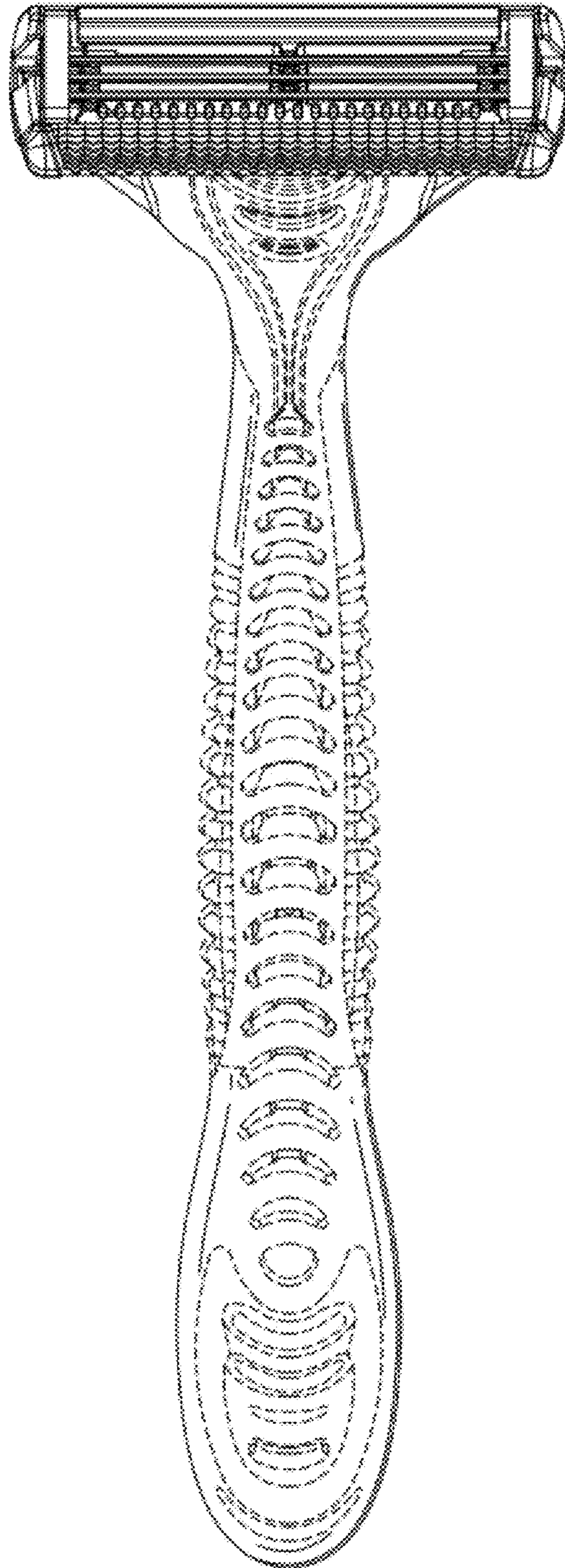
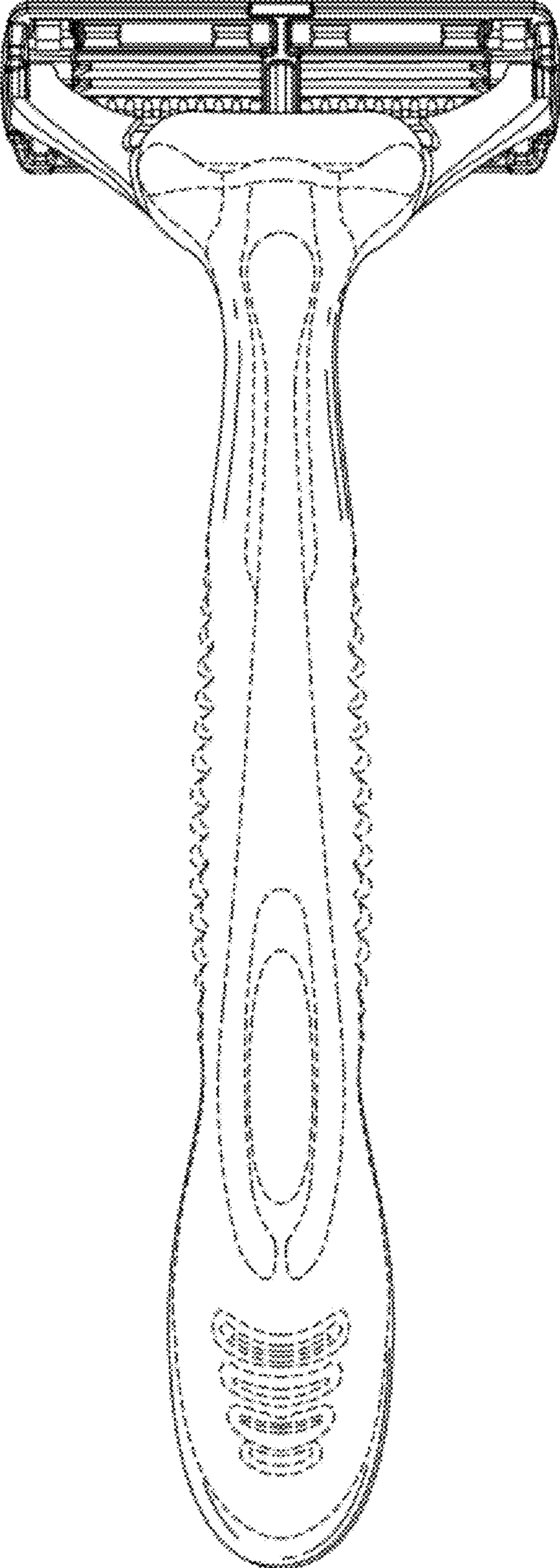
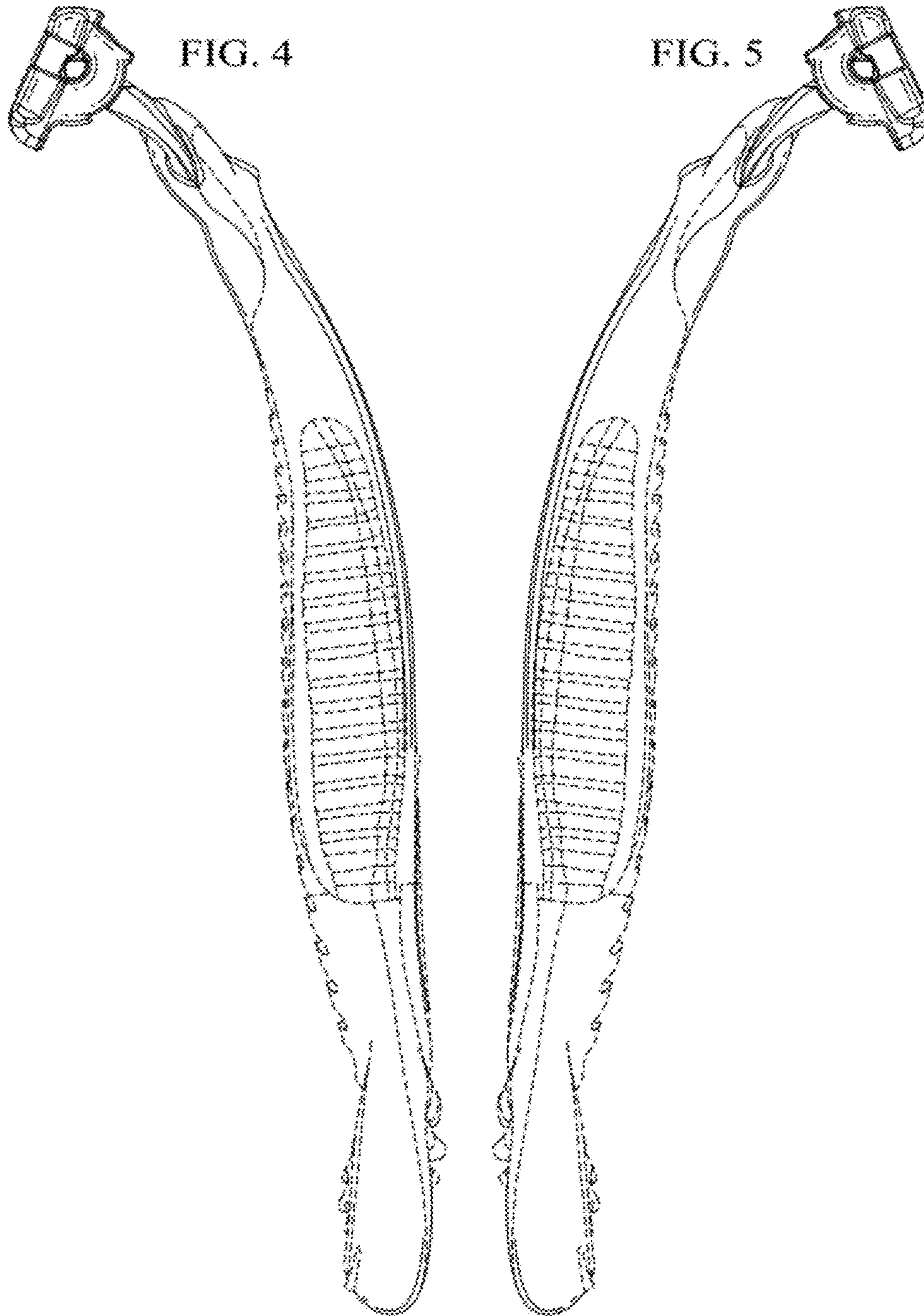


FIG. 3





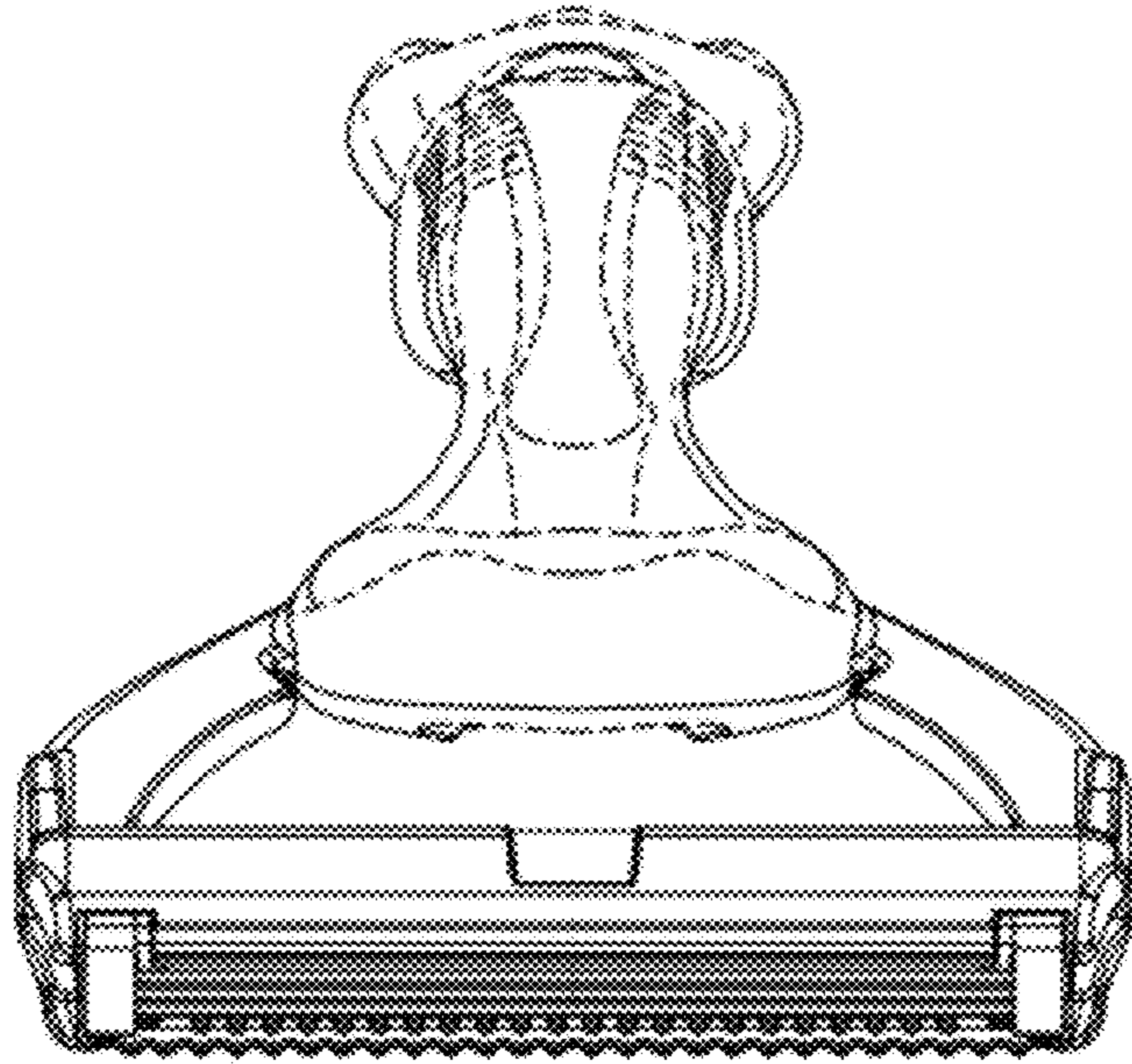


FIG. 6

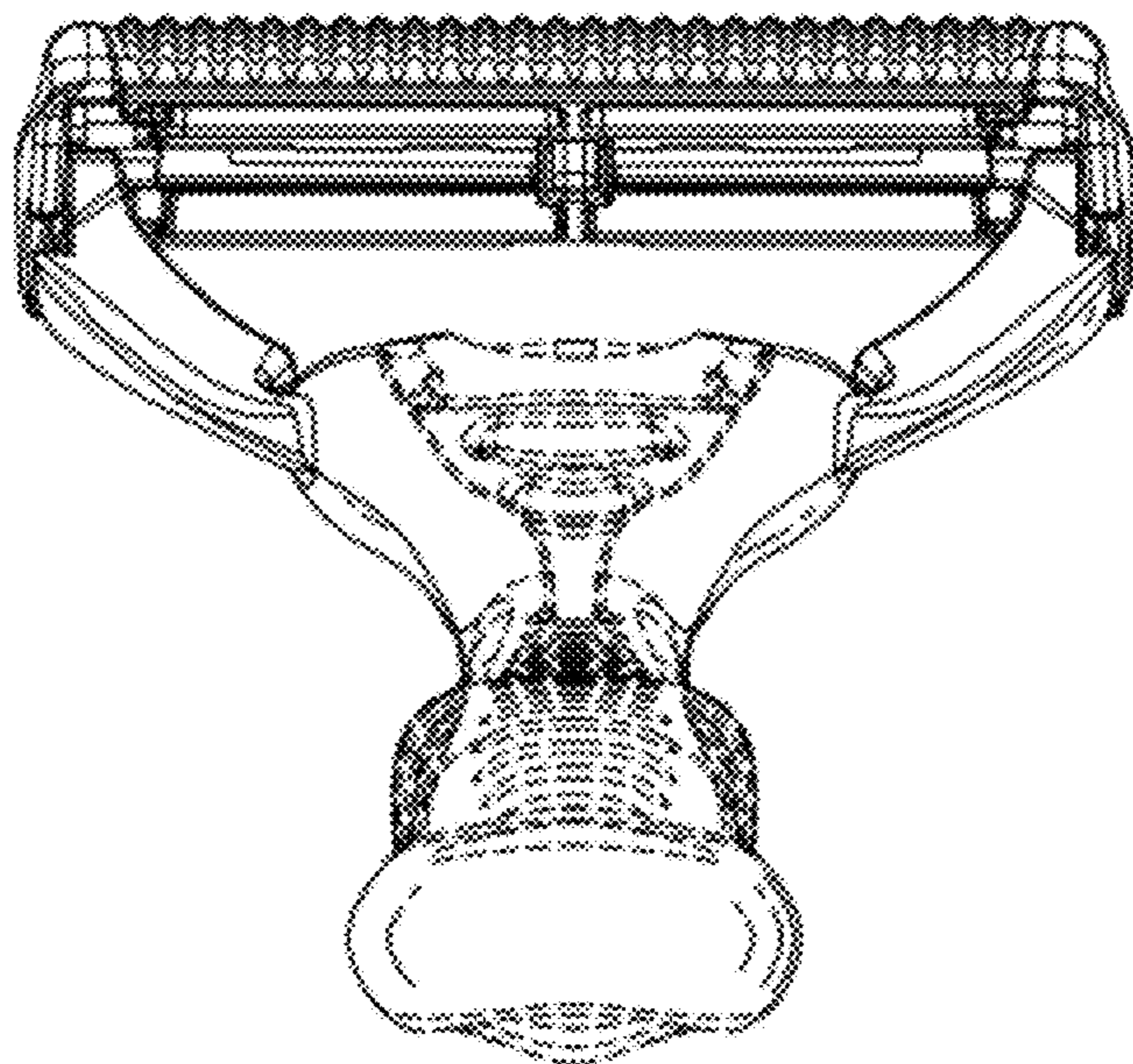


FIG. 7