



US00D661016S

(12) **United States Design Patent**
Borges et al.

(10) **Patent No.:** **US D661,016 S**
(45) **Date of Patent:** **** May 29, 2012**

(54) **CIGARETTE PACKAGE**

(75) Inventors: **Felipe Aguiar Borges**, Rio de Janeiro (BR); **Leandro Gomes Vilela**, Rio de Janeiro (BR); **Francisco Soares Pellegrino**, Rio de Janeiro (BR)

(73) Assignee: **Souza Cruz S.A.**, Rio de Janeiro (BR)

(**) Term: **14 Years**

(21) Appl. No.: **29/359,040**

(22) Filed: **Apr. 5, 2010**

Related U.S. Application Data

(62) Division of application No. 29/317,150, filed on Apr. 23, 2008, now Pat. No. Des. 615,700.

(30) **Foreign Application Priority Data**

Oct. 23, 2007 (BR) DI6703134-0
Oct. 23, 2007 (BR) DI6703138-2

(51) **LOC (9) Cl.** **27-06**

(52) **U.S. Cl.** **D27/189; D9/423; D9/432; D9/433**

(58) **Field of Classification Search** D27/183-194;
206/236-241, 242-276, 86, 91-95; 229/160.1;
D9/423, 430-433

See application file for complete search history.

(56) **References Cited**

U.S. PATENT DOCUMENTS

D136,319 S	9/1943	New
3,052,398 A	9/1962	Benjamin
3,472,362 A	10/1969	Shinoda
3,823,865 A	7/1974	Mechnick et al.
5,957,280 A	9/1999	Focke et al.

D462,806 S	9/2002	Draghetti	
6,715,605 B1	4/2004	Manservigi et al.	
D530,447 S	10/2006	Velloni et al.	
7,156,228 B2	1/2007	Brizzi et al.	
D596,787 S *	7/2009	Hearn	D27/189
D607,320 S *	1/2010	Tearle	D9/423
D615,700 S *	5/2010	Borges et al.	D27/189
D618,391 S *	6/2010	Moore et al.	D27/172
D619,390 S *	7/2010	Chrystal et al.	D6/495
2005/0092625 A1	5/2005	Brizzi et al.	
2005/0103654 A1 *	5/2005	Hennessy	206/270
2010/0051486 A1 *	3/2010	Chatelain	206/266
2010/0270185 A1 *	10/2010	Berger et al.	206/268
2010/0320101 A1 *	12/2010	Biondi et al.	206/268
2011/0062037 A1 *	3/2011	Bertuzzi et al.	206/267
2011/0068027 A1 *	3/2011	Uesugi et al.	206/268
2011/0100846 A1 *	5/2011	Collins	206/268

* cited by examiner

Primary Examiner — Jennifer Rivard

(74) *Attorney, Agent, or Firm* — Chadbourne & Parke LLP

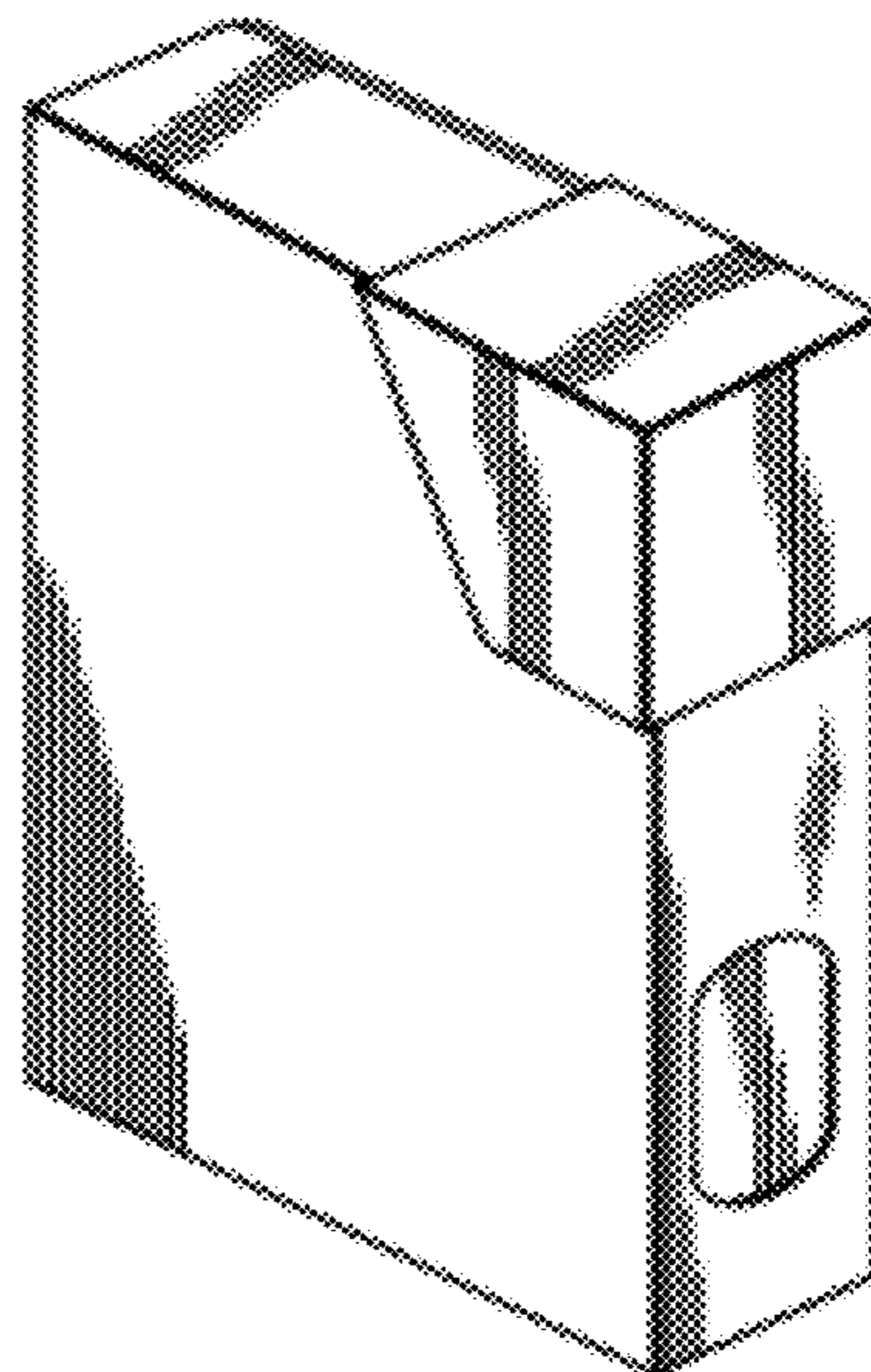
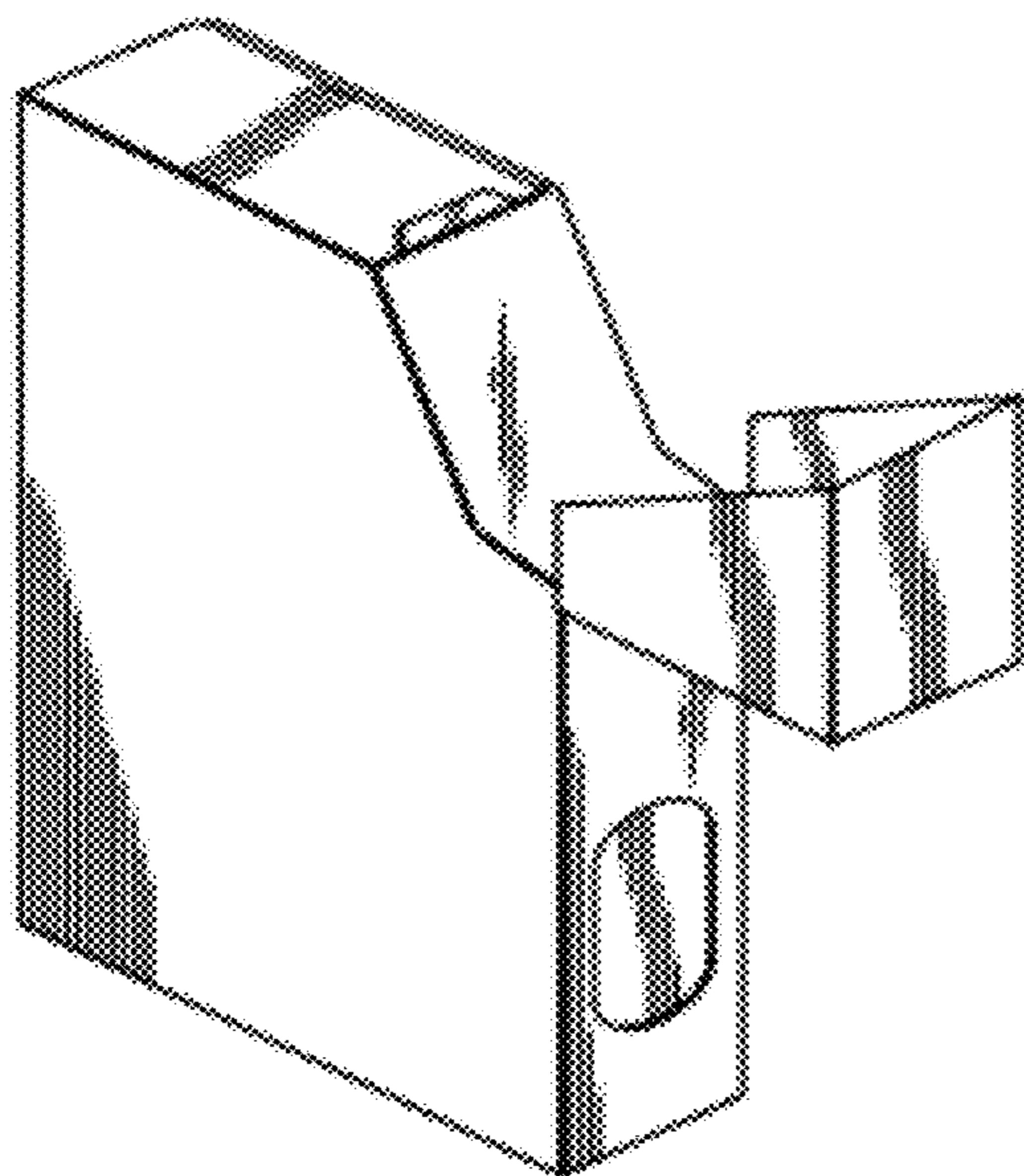
(57) **CLAIM**

The ornamental design for a cigarette package, as shown and described.

DESCRIPTION

FIG. 1 is a front perspective view of a cigarette package with top open showing the design of the disclosed invention; FIG. 2 is a front perspective view thereof with top closed; FIG. 3 is a rear perspective view thereof; FIG. 4 is a front view thereof; FIG. 5 is a front view thereof with top open; FIG. 6 is a back view thereof with top closed; FIG. 7 is a right side view thereof; FIG. 8 is a left side view thereof; FIG. 9 is a top view thereof; and, FIG. 10 is a bottom view thereof.

1 Claim, 5 Drawing Sheets



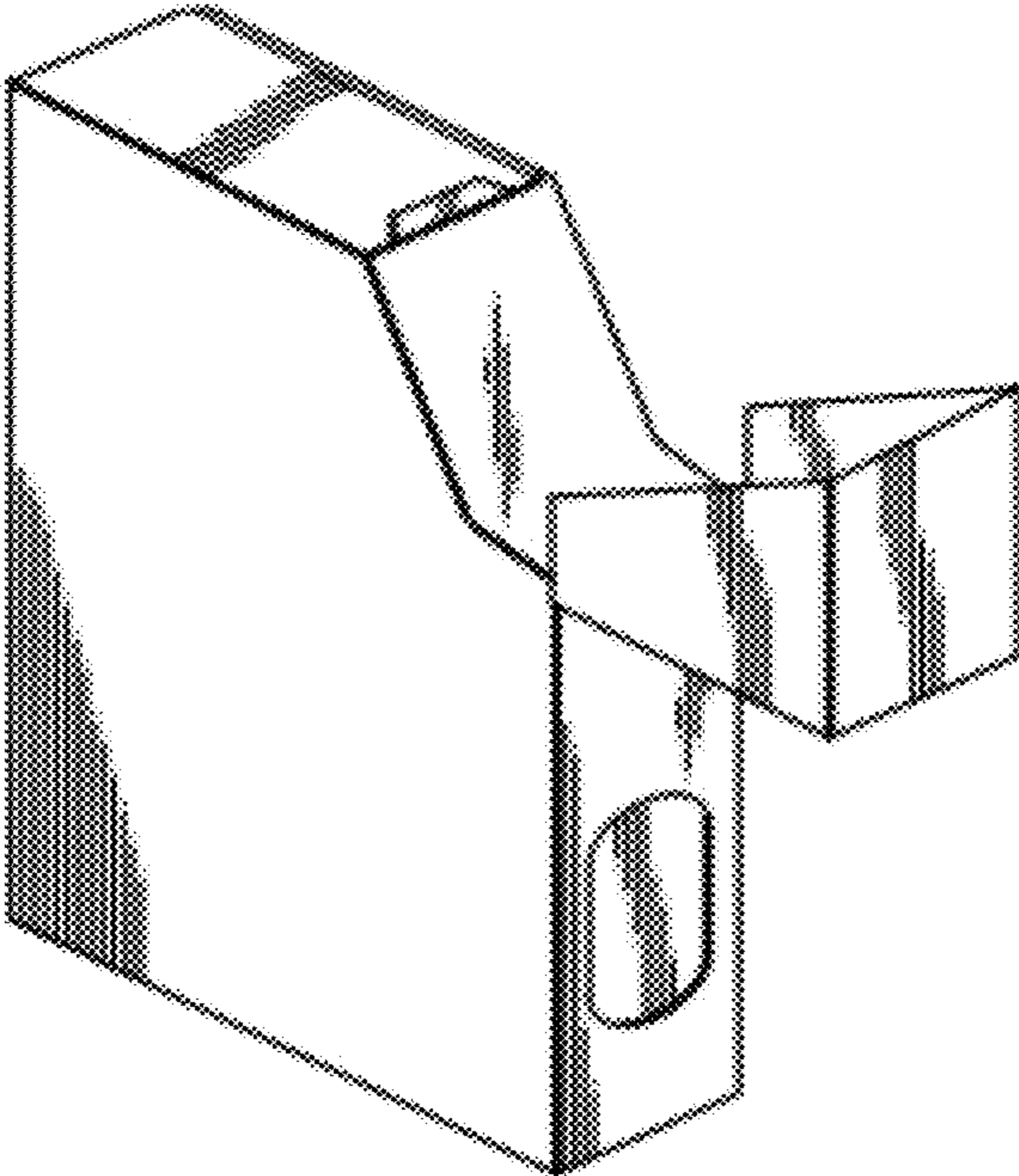


FIG. 1

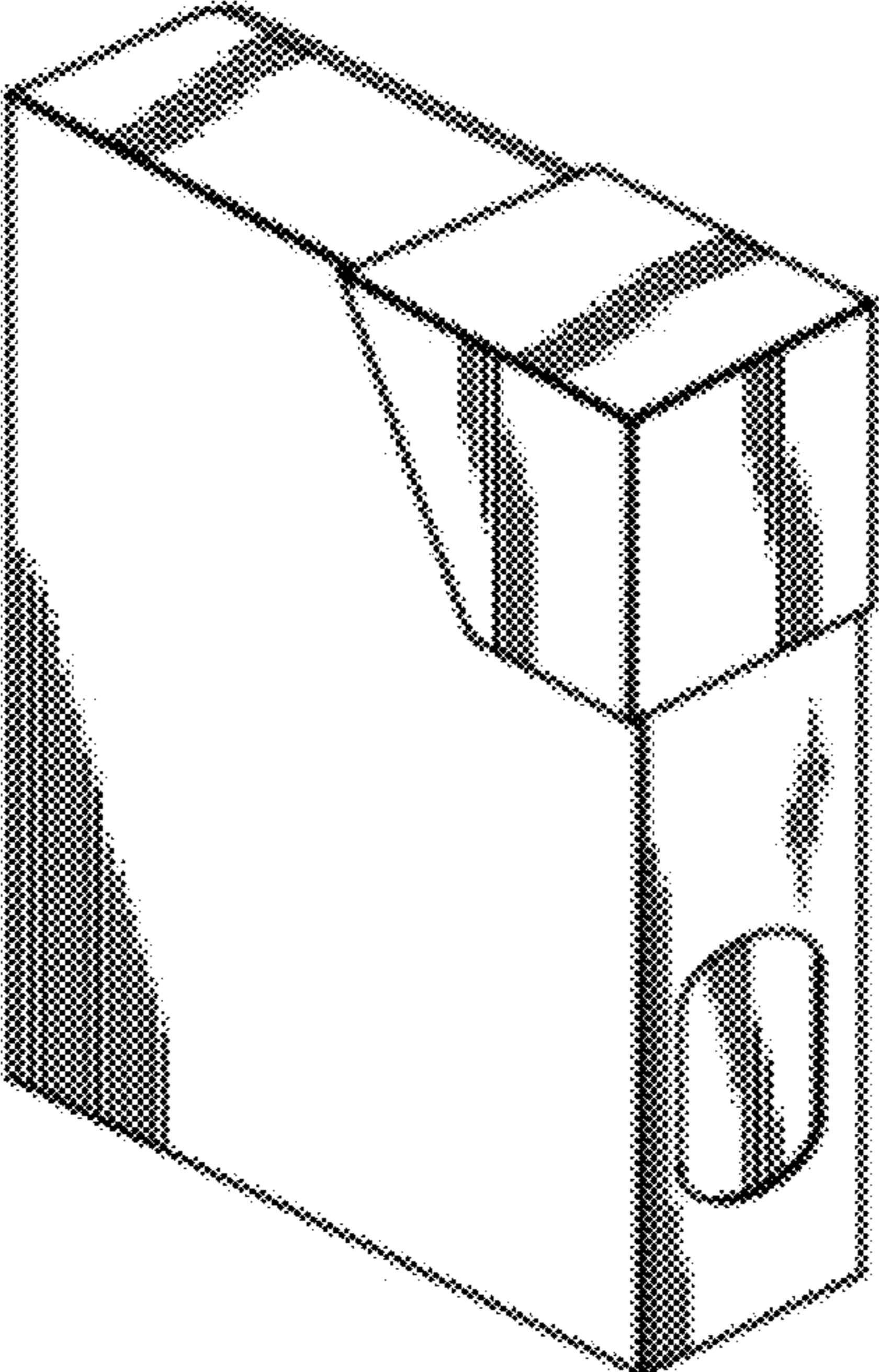


FIG. 2

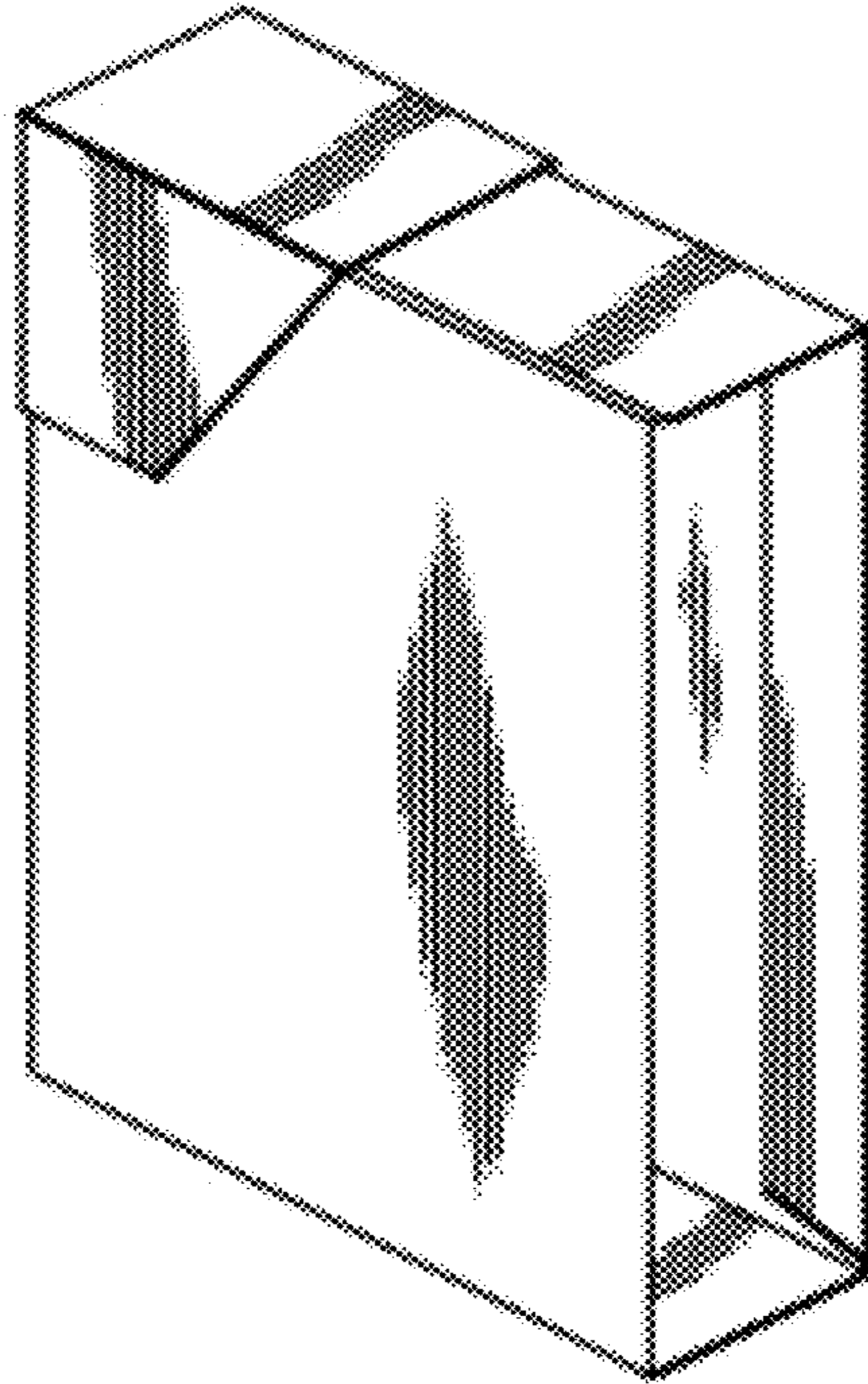


FIG. 3

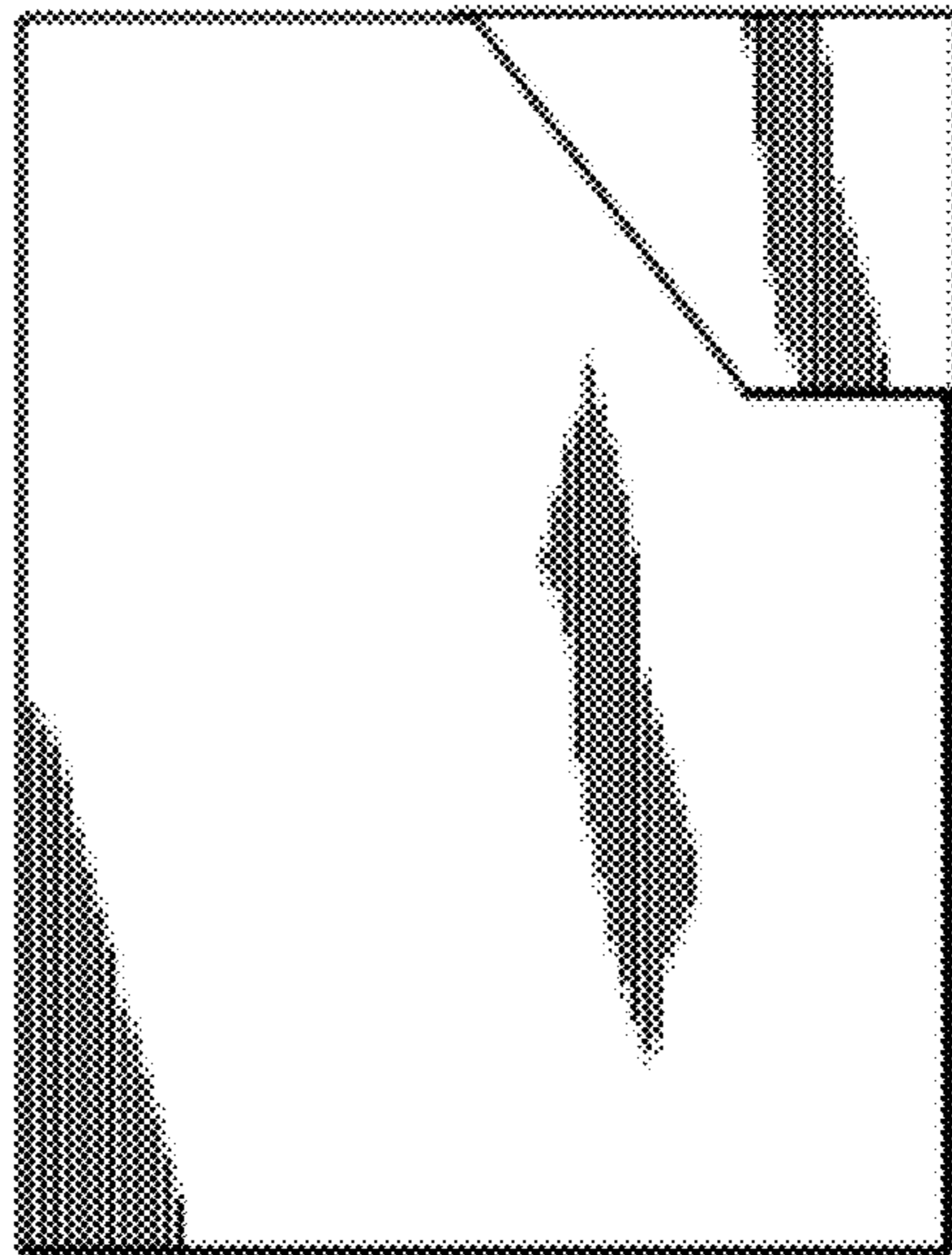


FIG. 4

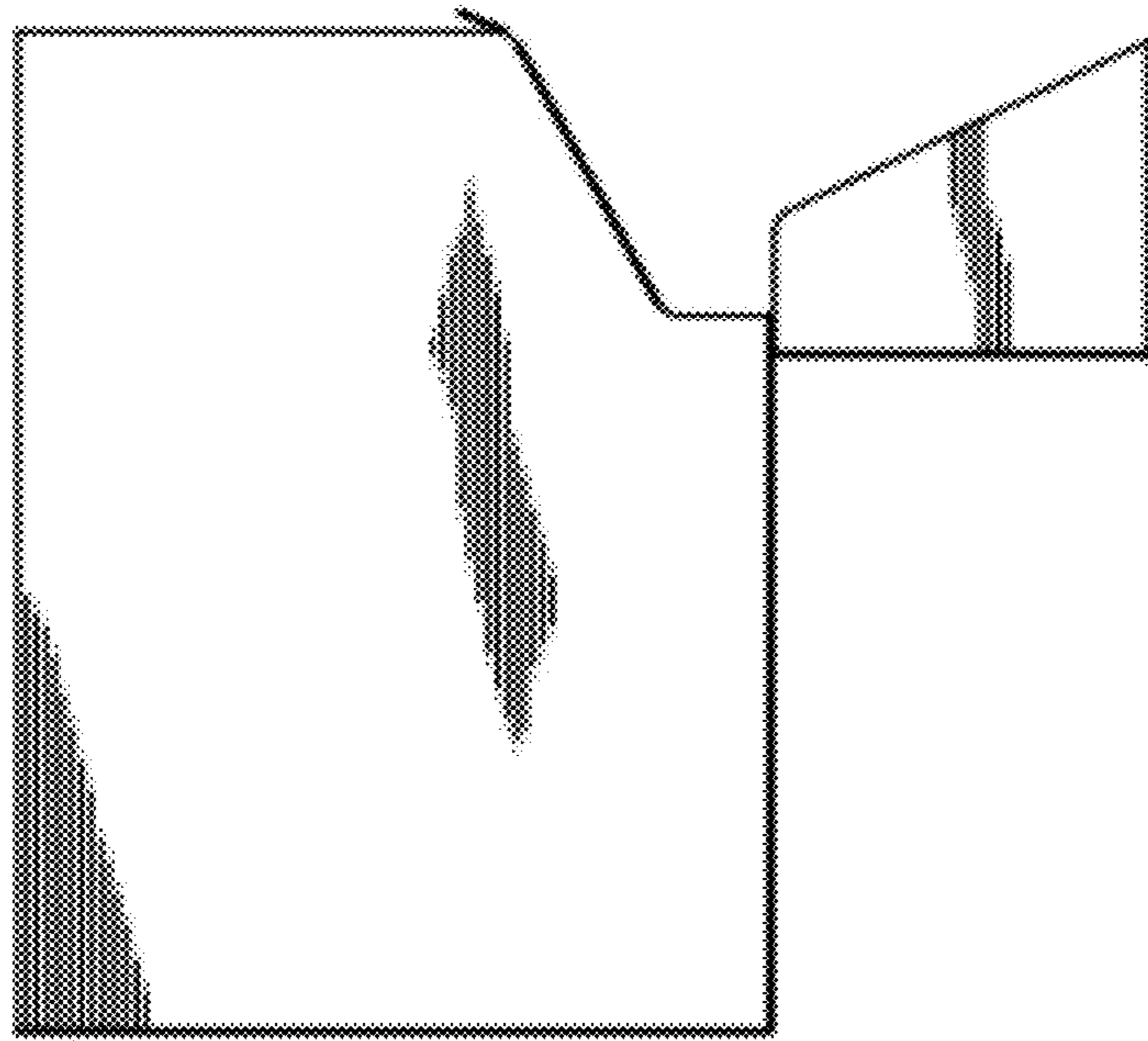


FIG. 5

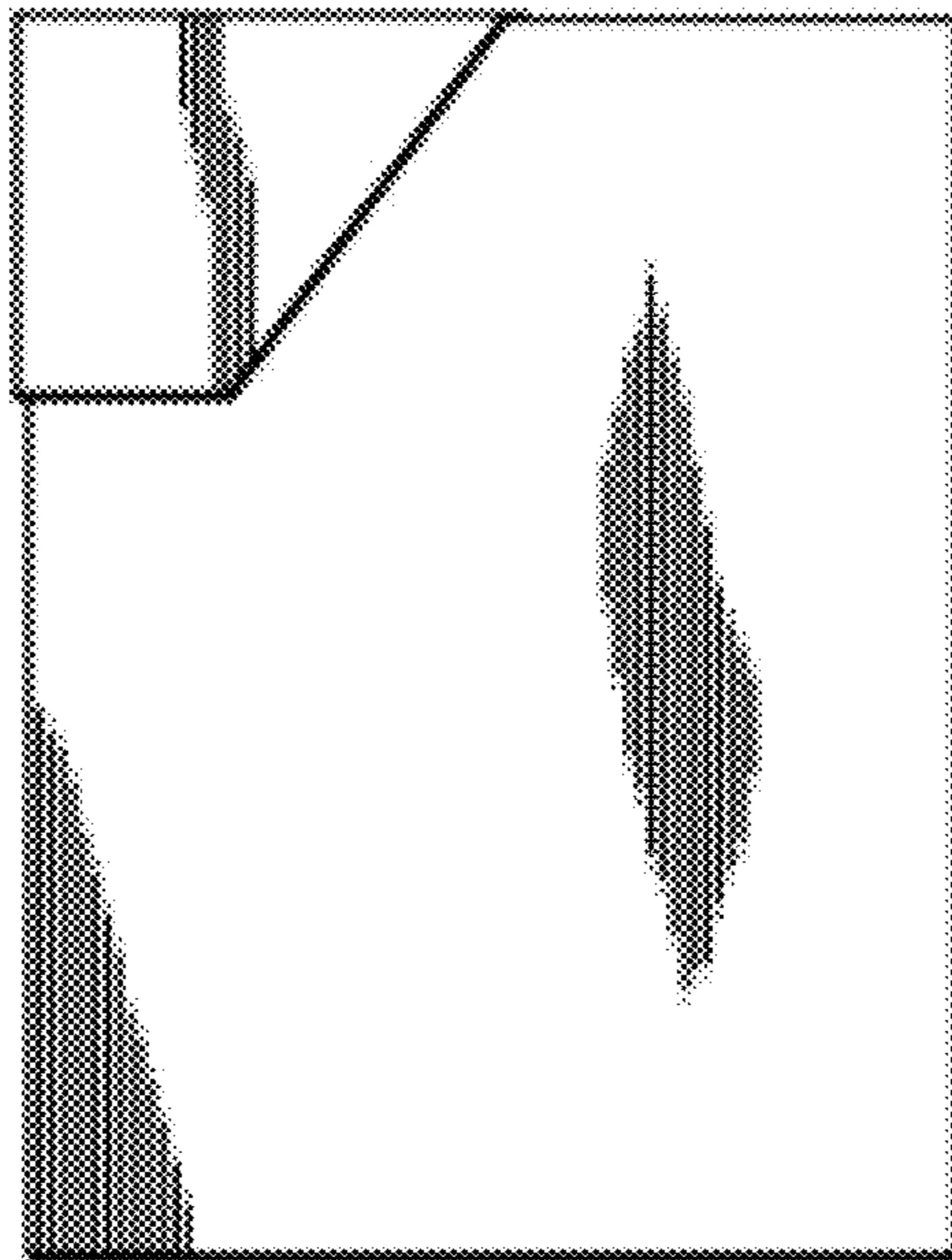


FIG. 6

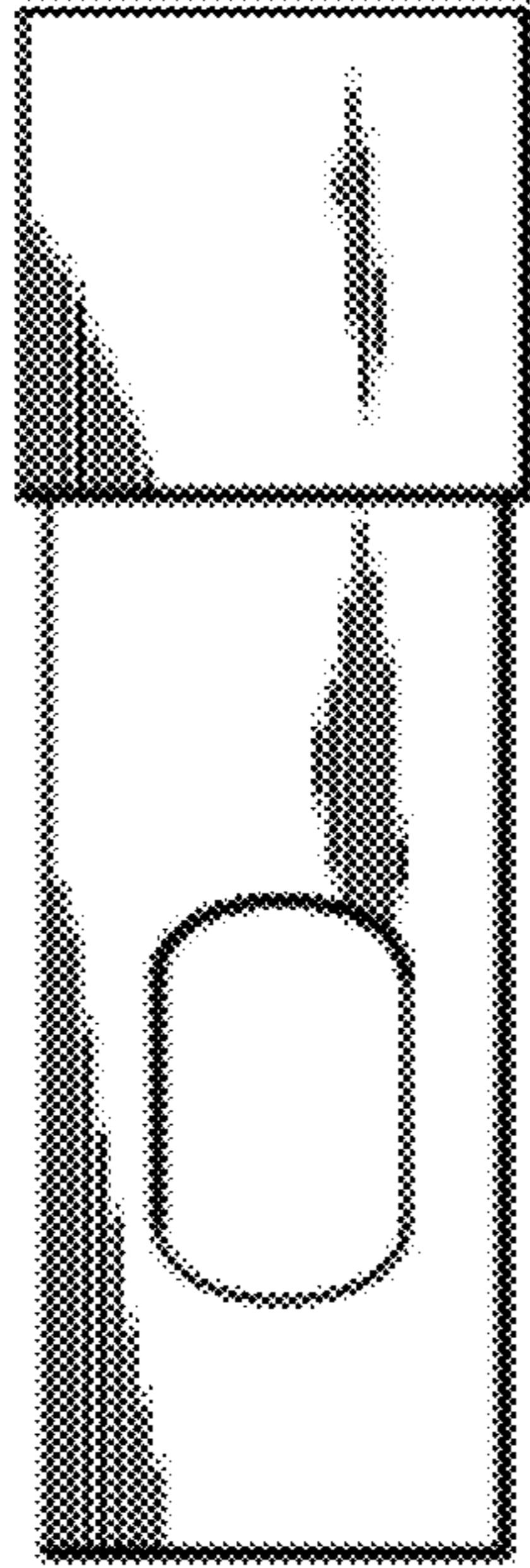


FIG. 7

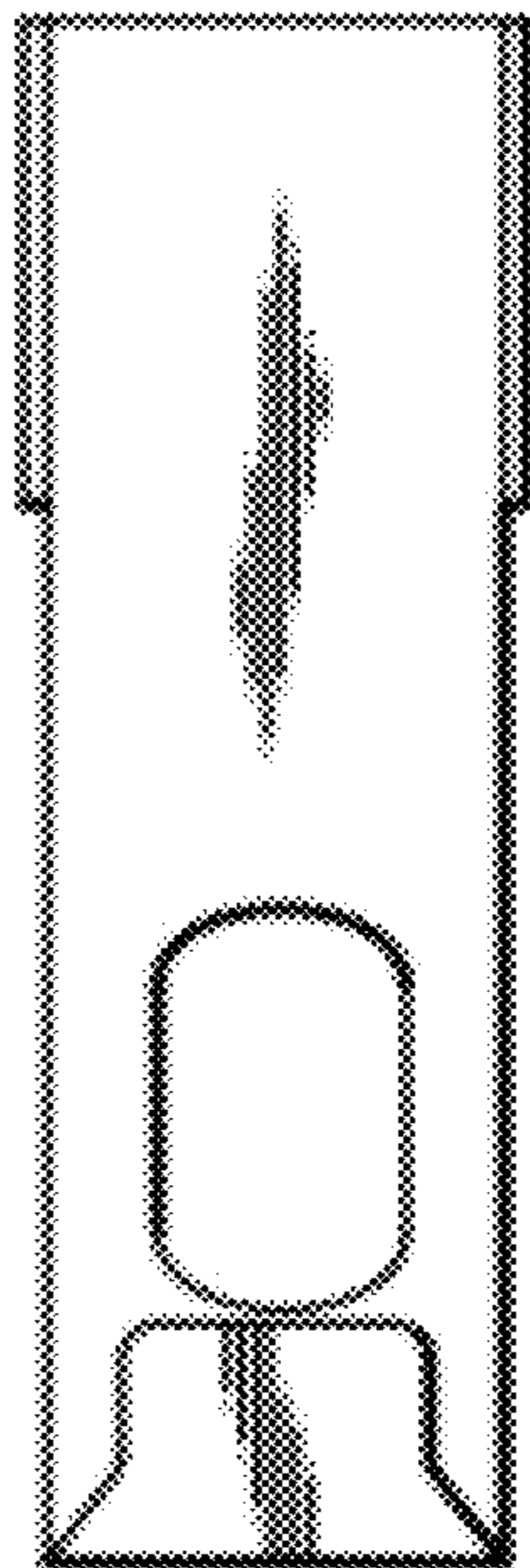


FIG. 8

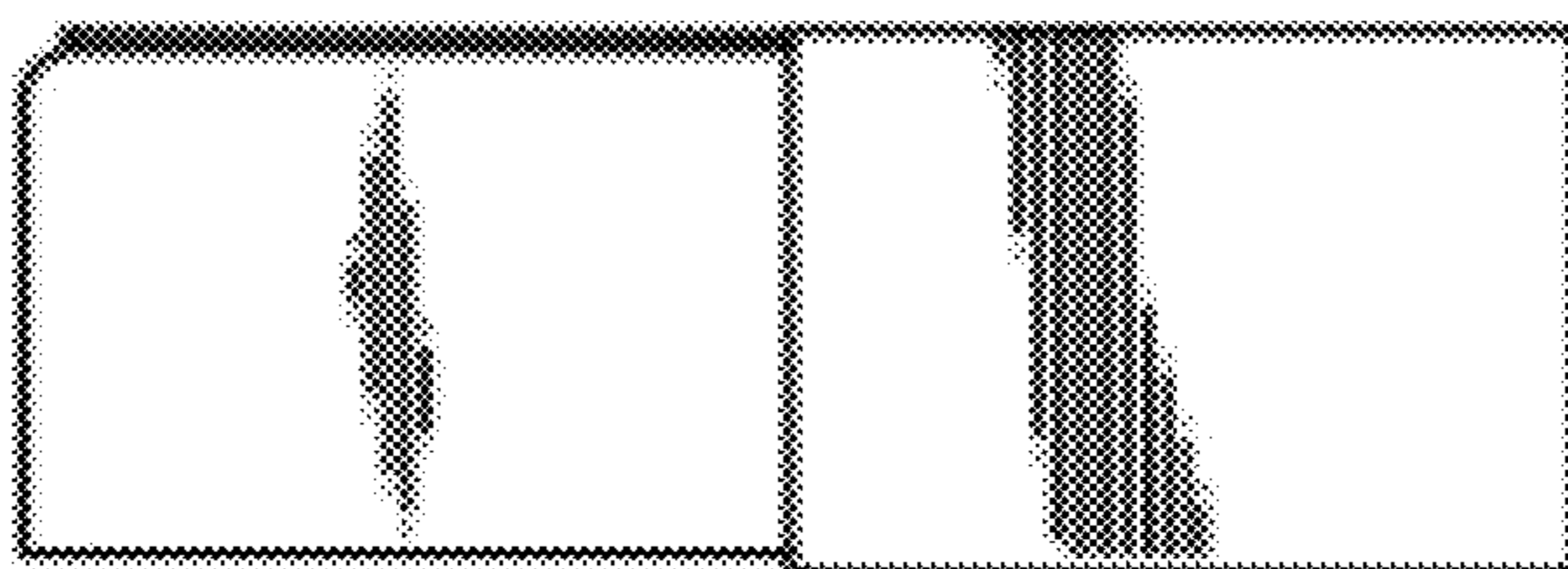


FIG. 9

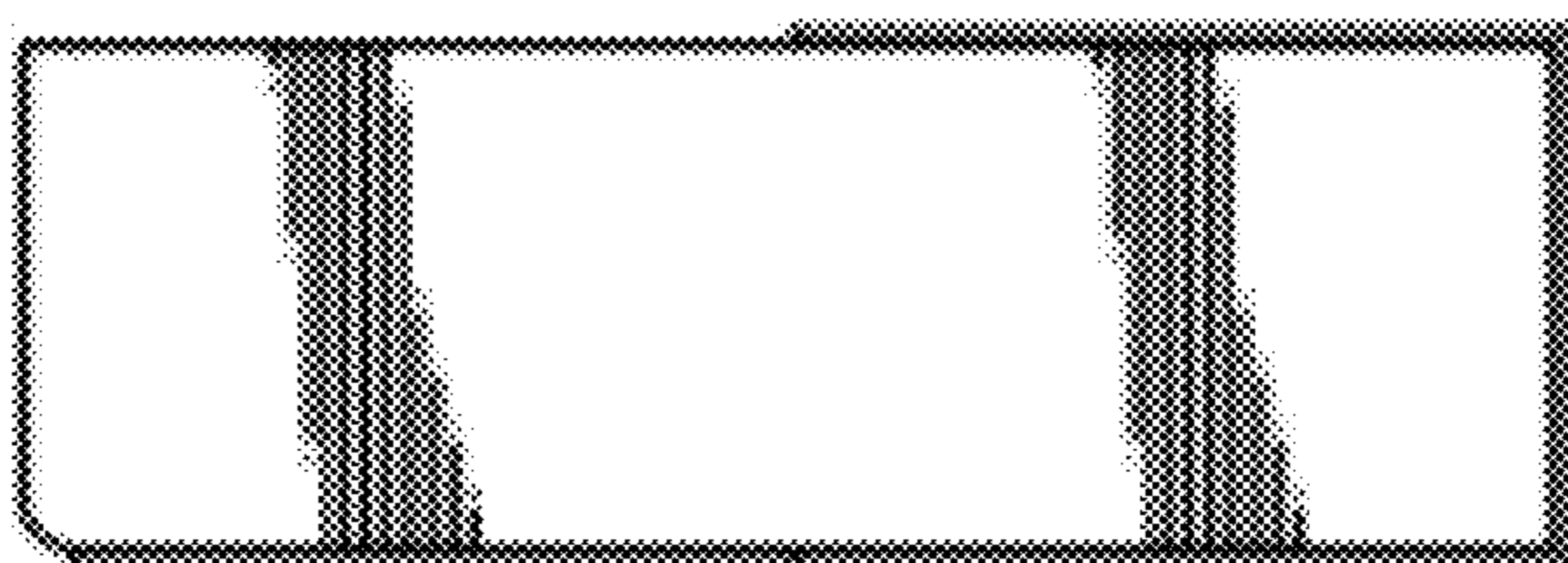


FIG. 10