

US00D661015S

(12) **United States Design Patent**
Logue et al.

(10) **Patent No.:** **US D661,015 S**
(45) **Date of Patent:** **** May 29, 2012**

(54) **MULTIFUNCTION SMOKING AND DRINKING TOOL**

(76) Inventors: **Kyber Logue**, Santa Barbara, CA (US);
Matthew Dubberley, Santa Barbara, CA (US)

(**) Term: **14 Years**

(21) Appl. No.: **29/399,604**

(22) Filed: **Aug. 16, 2011**

(51) **LOC (9) Cl.** **27-06**

(52) **U.S. Cl.** **D27/172**

(58) **Field of Classification Search** D27/194,
D27/184, 189, 187, 186, 185, 100, 101, 183,
D27/172, 143, 163, 162, 161, 153, 144, 141,
D27/156, 160, 139, 140, 154, 155, 157, 142,
D27/102, 130, 158, 159, 167, 173, 176, 180,
D27/181, 193; 219/220; 431/253, 344; 131/70,
131/58, 66.1, 73, 283, 47, 49, 187, 174; D9/423,
D9/542, 563, 454, 504; D8/34, 33, 105,
D8/30, 29.1; D7/416; 439/668; 206/236;
44/507

See application file for complete search history.

(56) **References Cited**

U.S. PATENT DOCUMENTS

4,363,432	A *	12/1982	Warthen	224/247
5,169,305	A *	12/1992	Kee	431/253
D350,216	S *	8/1994	Heaton	D27/144
5,524,646	A *	6/1996	Reich	131/329
D380,293	S *	7/1997	Cudmore	D3/208
5,682,981	A *	11/1997	Sudborough	206/38.1
5,829,965	A *	11/1998	Rubalcava	431/253
5,934,894	A *	8/1999	Cigler	431/253
D436,008	S *	1/2001	Klein et al.	D8/34
D460,211	S *	7/2002	Park	D27/143
D473,437	S *	4/2003	Klein et al.	D8/34
D488,690	S *	4/2004	Haas et al.	D8/34
D527,488	S *	8/2006	Hung	D27/161
D535,683	S *	1/2007	Kessinger	D8/18

D552,791	S *	10/2007	Toffler	D27/161
D565,790	S *	4/2008	Eisman	D27/161
D586,953	S *	2/2009	Riggio	D27/172
7,721,448	B2 *	5/2010	Kao	30/161
D636,119	S *	4/2011	Worlock	D27/161
D640,519	S *	6/2011	Danias-Borkin	D8/33
D642,441	S *	8/2011	Danias-Borkin	D8/33
2005/0051183	A1 *	3/2005	Coulthard	131/256
2005/0236005	A1 *	10/2005	Bears et al.	131/235.1

* cited by examiner

Primary Examiner — Kevin Rudzinski

(74) *Attorney, Agent, or Firm* — Cislo & Thomas, LLP

(57) **CLAIM**

The ornamental design for a multifunction smoking and drinking tool, as shown and described.

DESCRIPTION

FIG. 1 is a front perspective view of the multifunction smoking and drinking tool.

FIG. 2 is a rear perspective view of the multifunction smoking and drinking tool.

FIG. 3 is a front view of the multifunction smoking and drinking tool.

FIG. 4 is a rear view of the multifunction smoking and drinking tool.

FIG. 5 is a right side view of the multifunction smoking and drinking tool.

FIG. 6 is a left side view of the multifunction smoking and drinking tool.

FIG. 7 is a top view of the multifunction smoking and drinking tool.

FIG. 8 is a bottom view of the multifunction smoking and drinking tool; and,

FIG. 9 is a rear perspective view of the multifunction smoking and drinking tool shown with the tools extended and the device holding a disposable lighter.

The portions of the multifunction smoking and drinking tool shown in broken lines form no part of the claimed design.

1 Claim, 8 Drawing Sheets

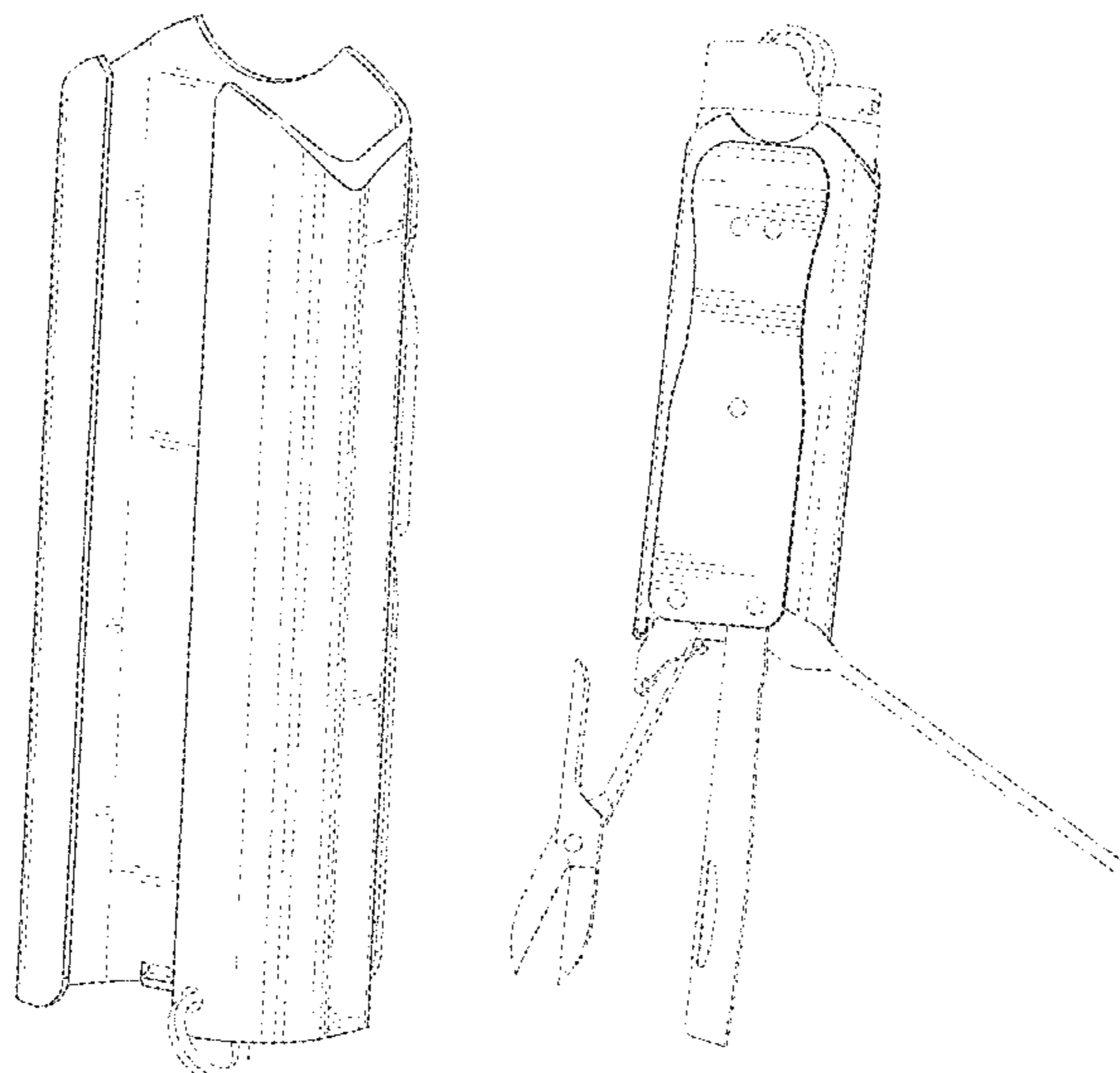
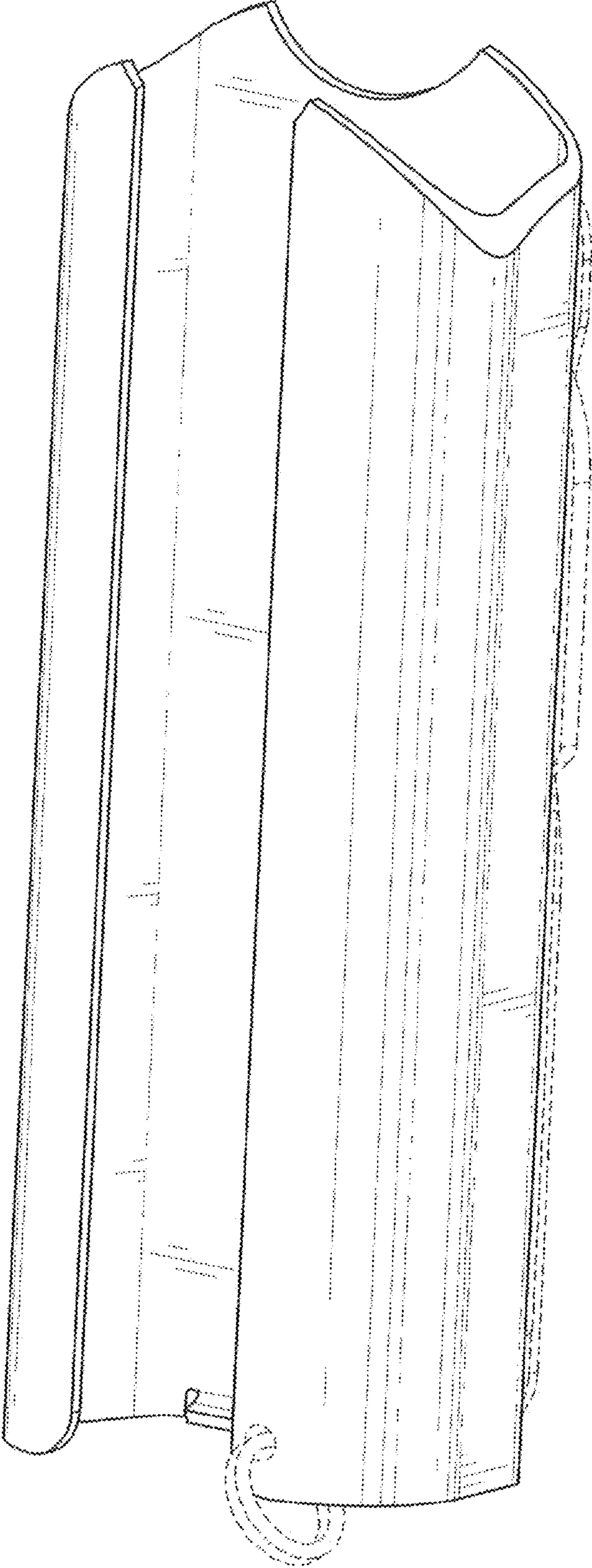


FIG. 1



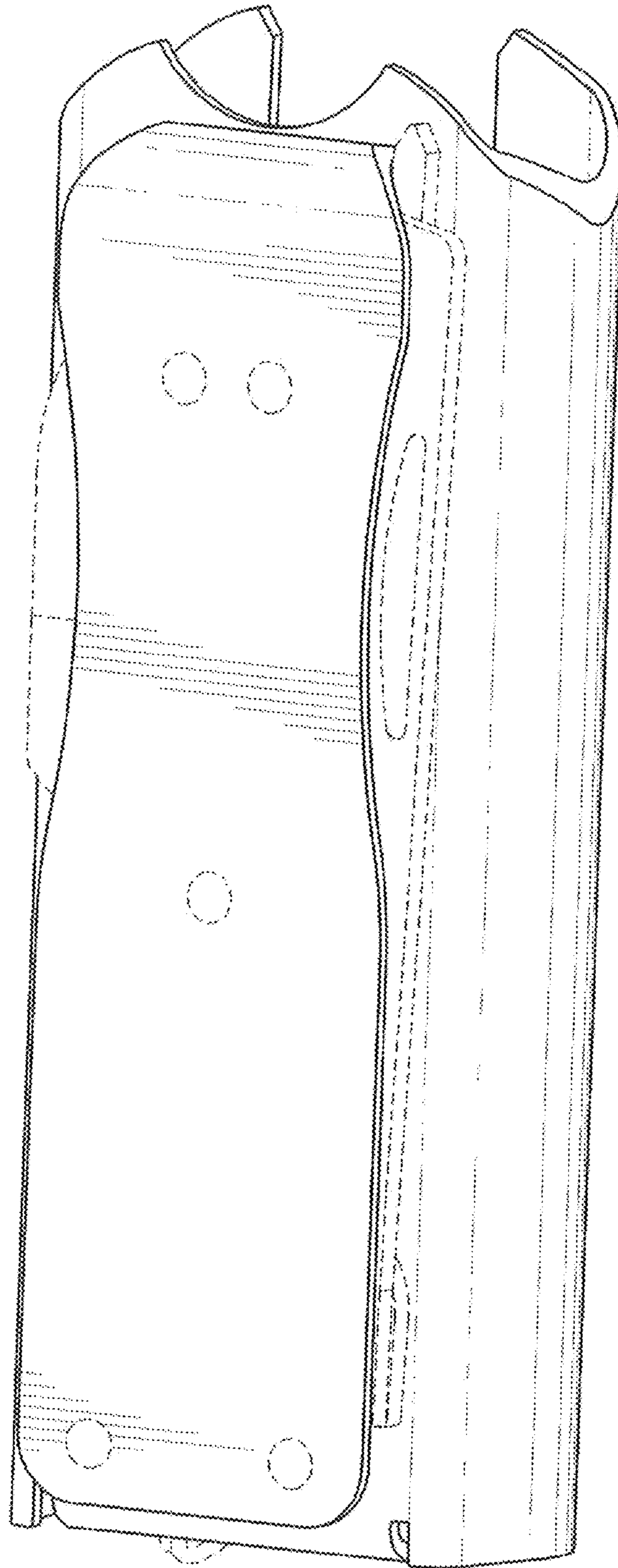


FIG. 2

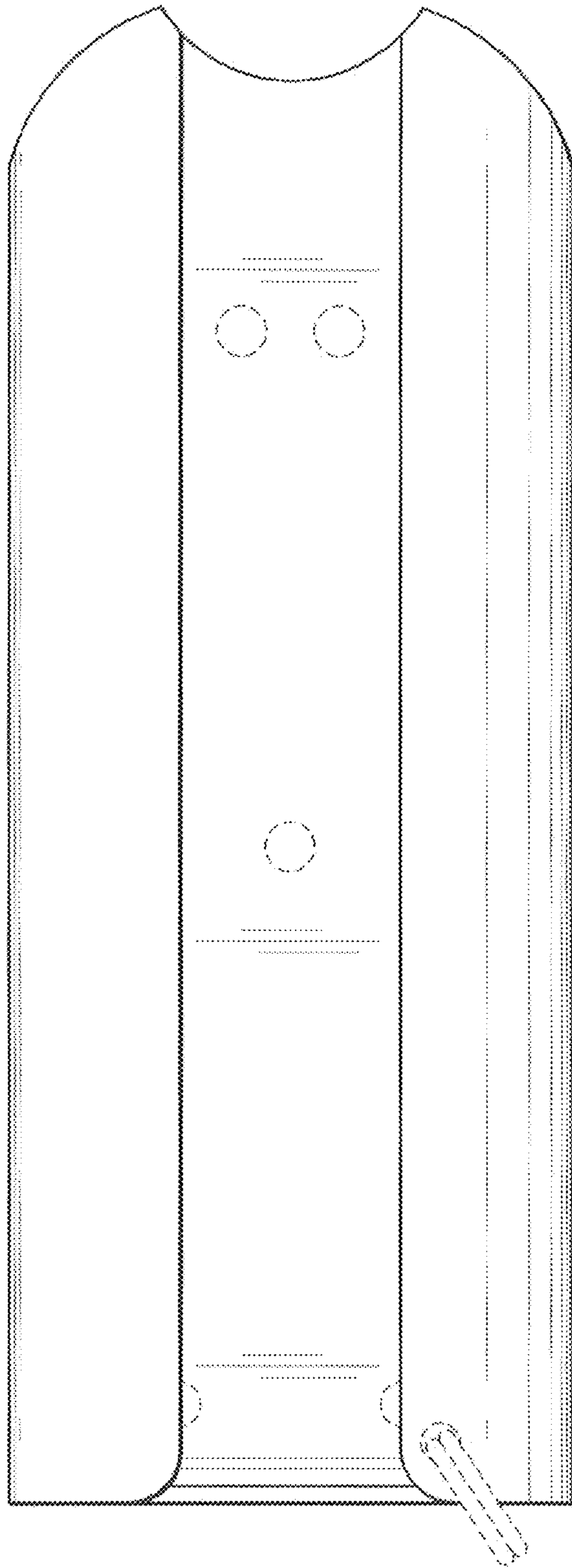


FIG. 3

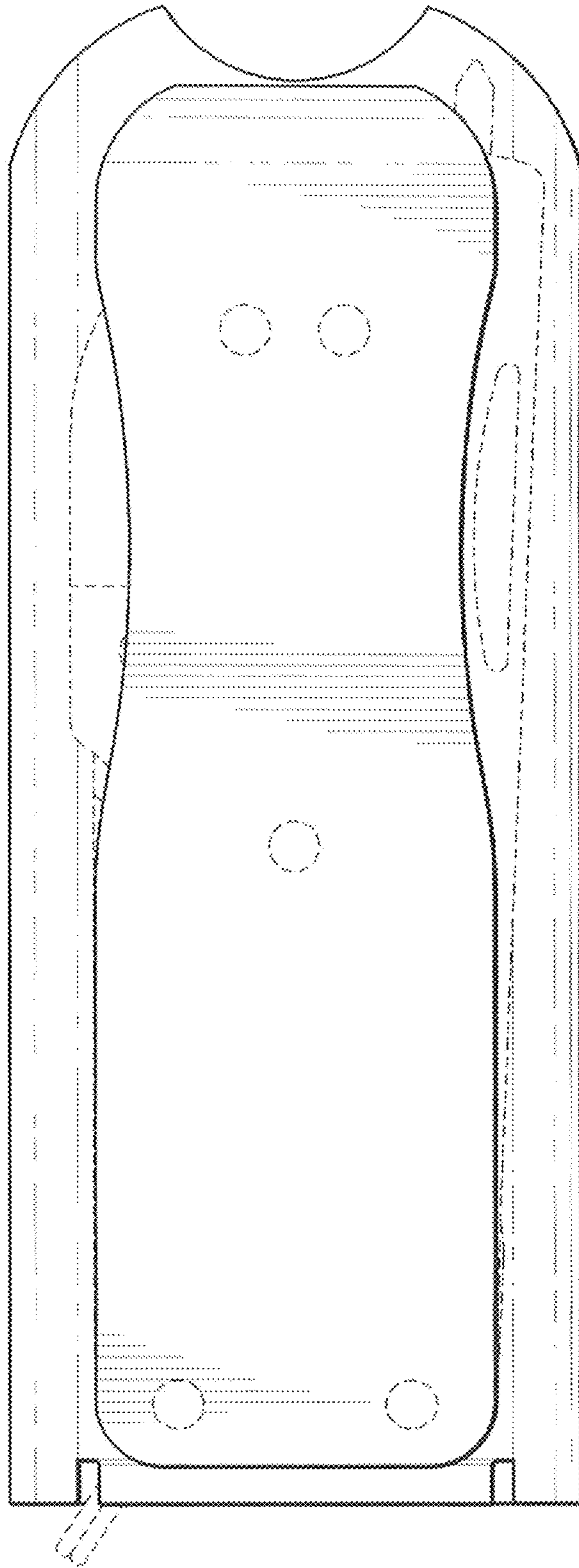


FIG. 4

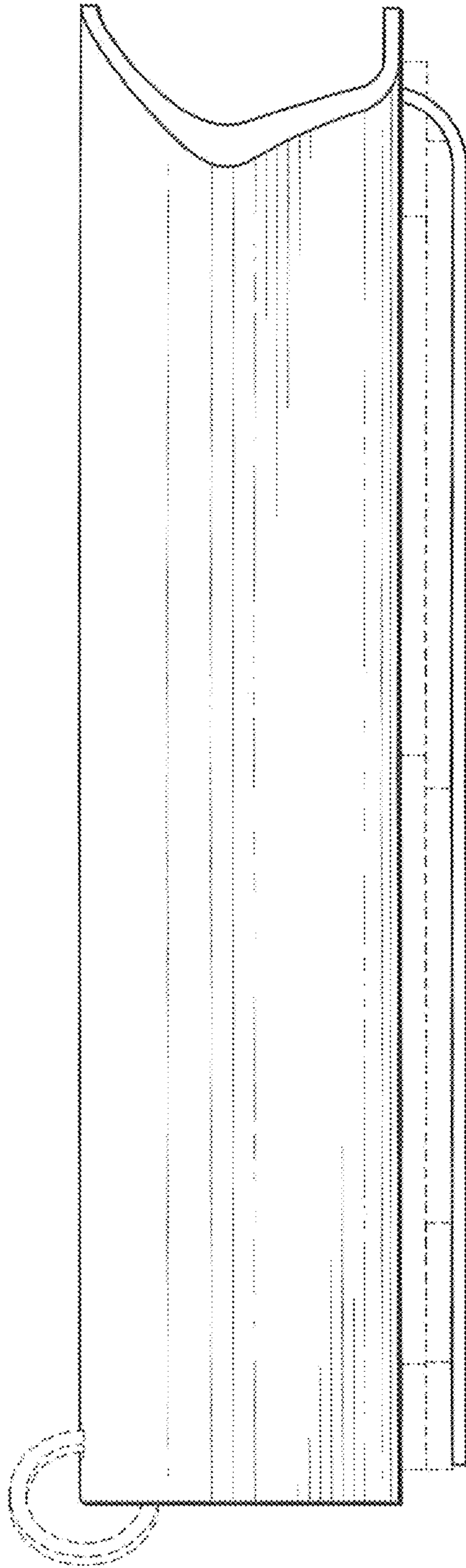


FIG. 5

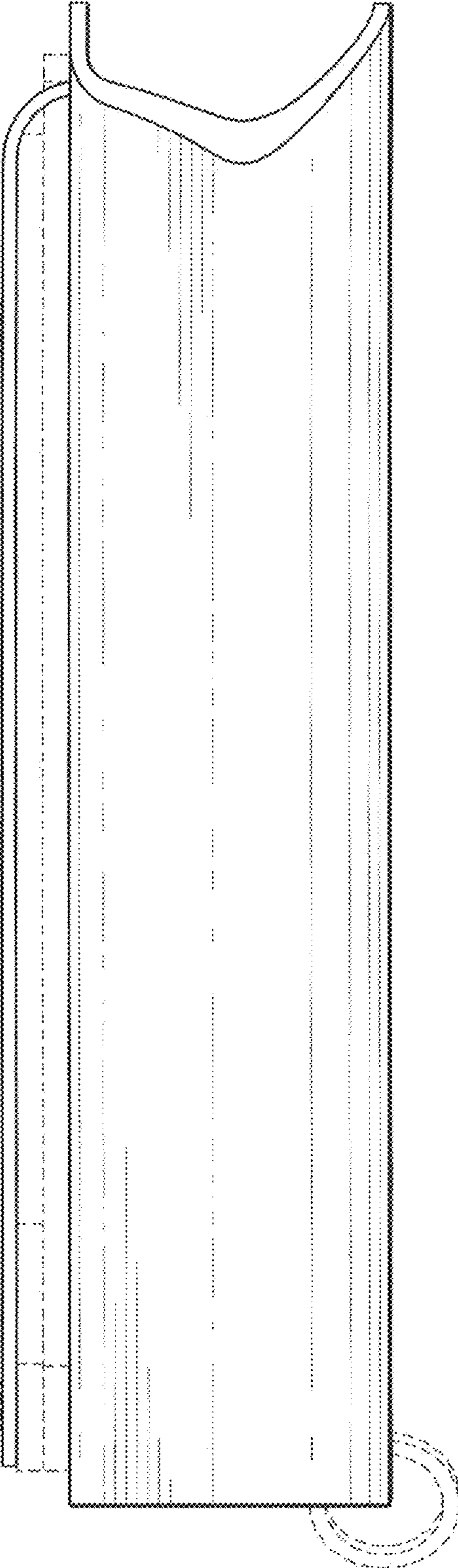


FIG. 6

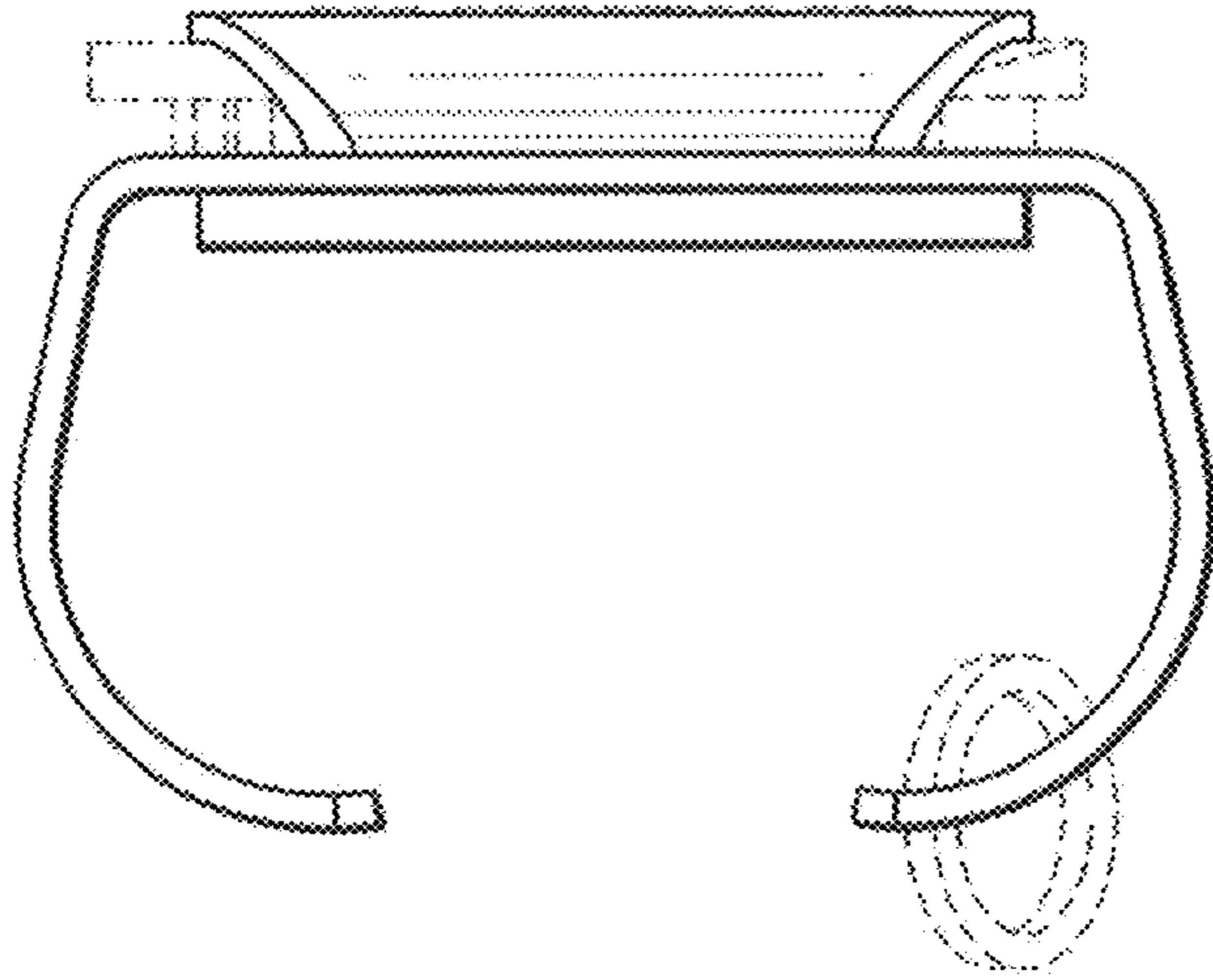


FIG. 7

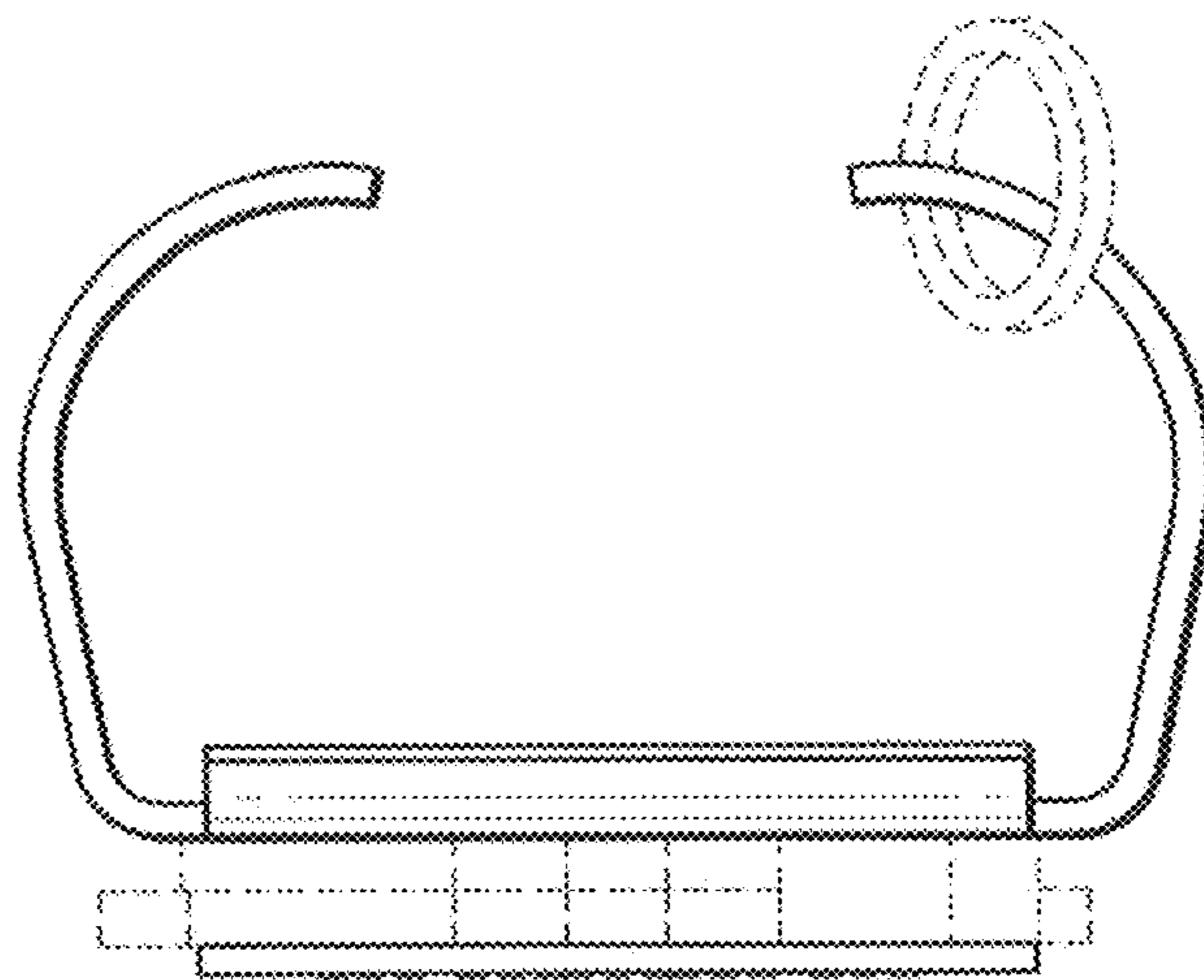


FIG. 8

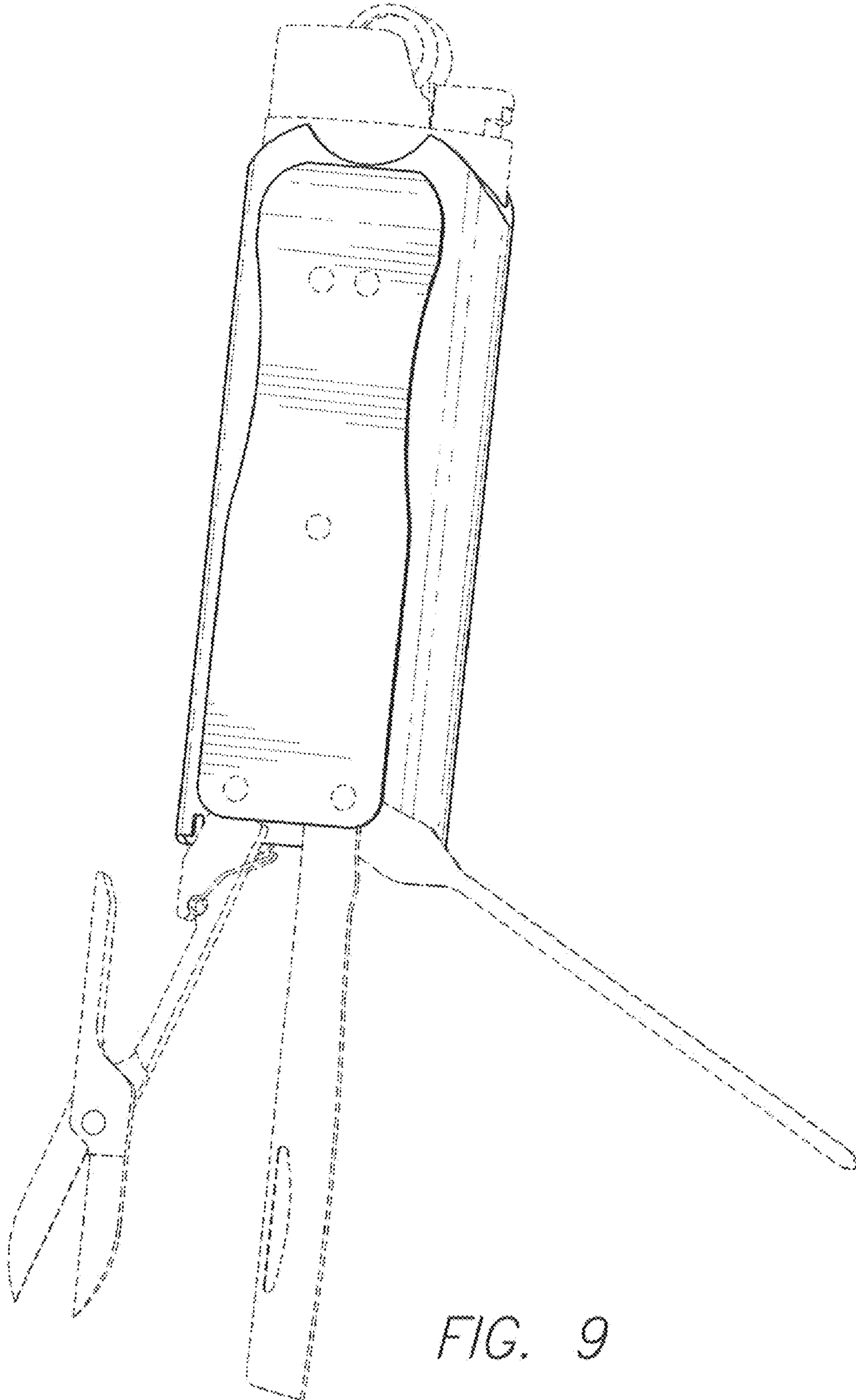


FIG. 9