



US00D661014S

(12) **United States Design Patent**
Davidson et al.

(10) **Patent No.:** **US D661,014 S**

(45) **Date of Patent:** **** May 29, 2012**

(54) **VEHICLE LIGHT COVER**

(56) **References Cited**

(75) Inventors: **Benjamin Davidson**, Torrance, CA
(US); **Guillermo Gonzalez**, Lawndale,
CA (US)

U.S. PATENT DOCUMENTS

D287,414 S * 12/1986 Giles et al. D26/139
D595,895 S * 7/2009 Lamm D26/139
D611,189 S * 3/2010 Elliott et al. D26/139

* cited by examiner

(73) Assignee: **Honda Motor Co., Ltd.**, Tokyo (JP)

Primary Examiner — Marcus Jackson

(**) Term: **14 Years**

(74) *Attorney, Agent, or Firm* — Plumsea Law Group, LLC;
Mark E. Duell

(21) Appl. No.: **29/399,513**

(57) **CLAIM**

The ornamental design for a vehicle light cover, as shown and described.

(22) Filed: **Aug. 15, 2011**

DESCRIPTION

(51) **LOC (9) Cl.** **26-99**

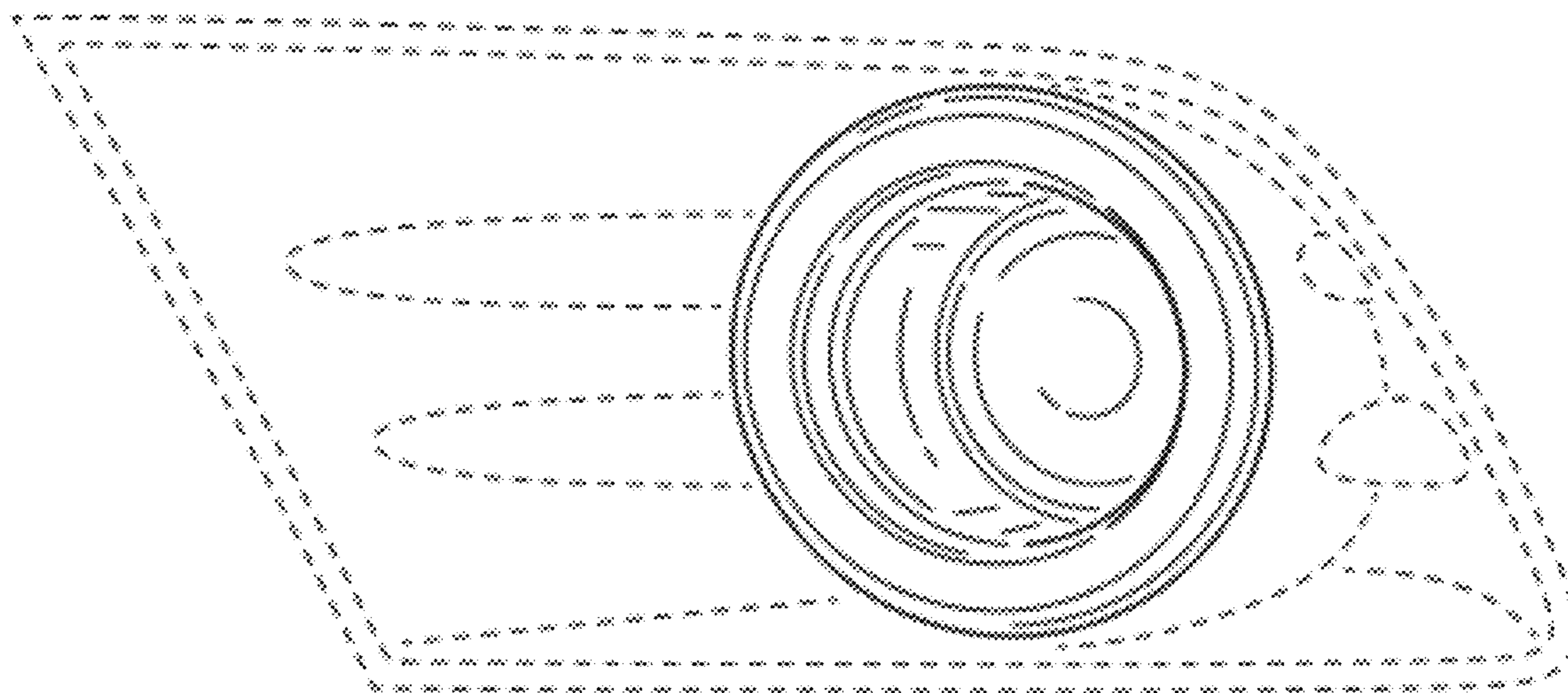
(52) **U.S. Cl.** **D26/139**

(58) **Field of Classification Search** D26/28-36,
D26/139; 362/459-468, 475-478, 485-487,
362/61, 80-83, 329-340

FIG. 1 is a perspective view of a vehicle light cover showing our new design;
FIG. 2 is an elevational view thereof; and,
FIG. 3 is a side elevational view thereof.
The broken line showings of the area surrounding the vehicle light cover form no part of the claimed design.

See application file for complete search history.

1 Claim, 1 Drawing Sheet



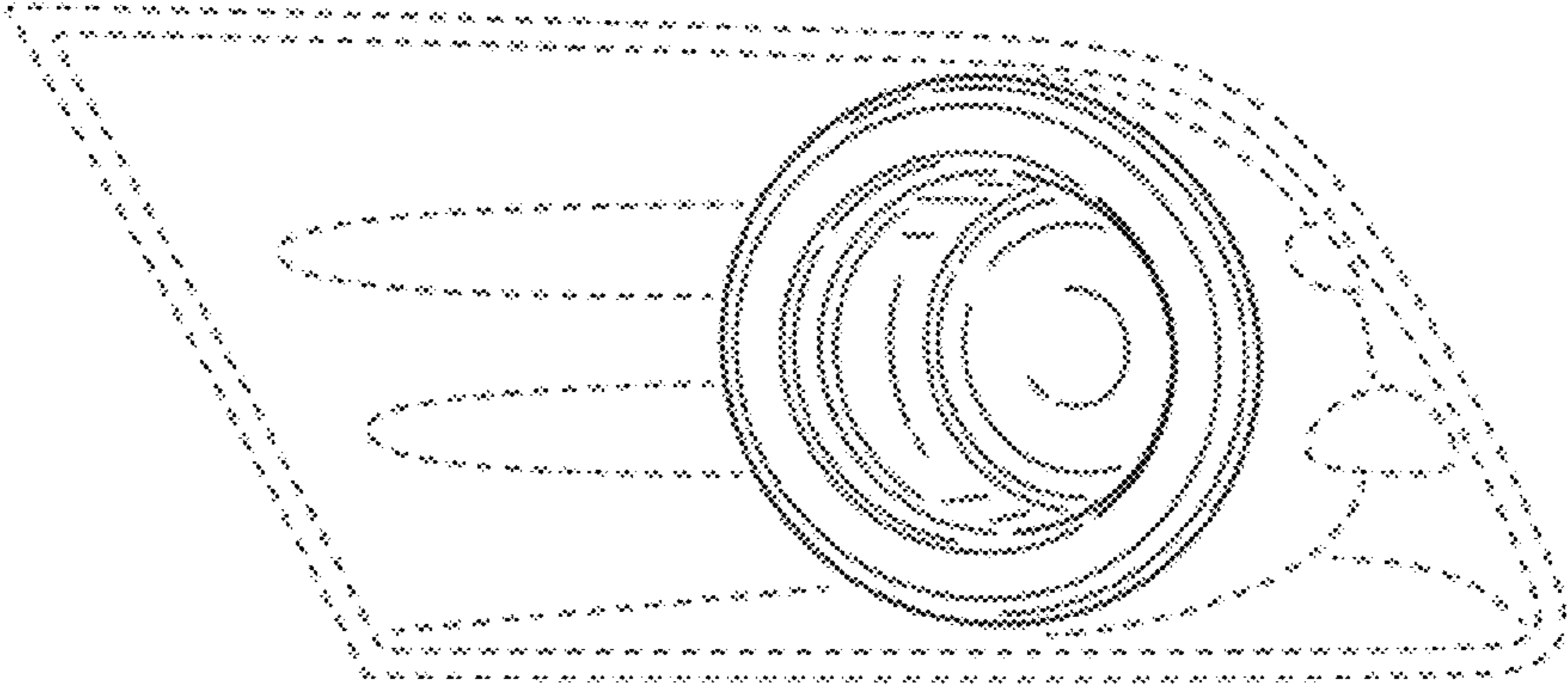


FIG. 1

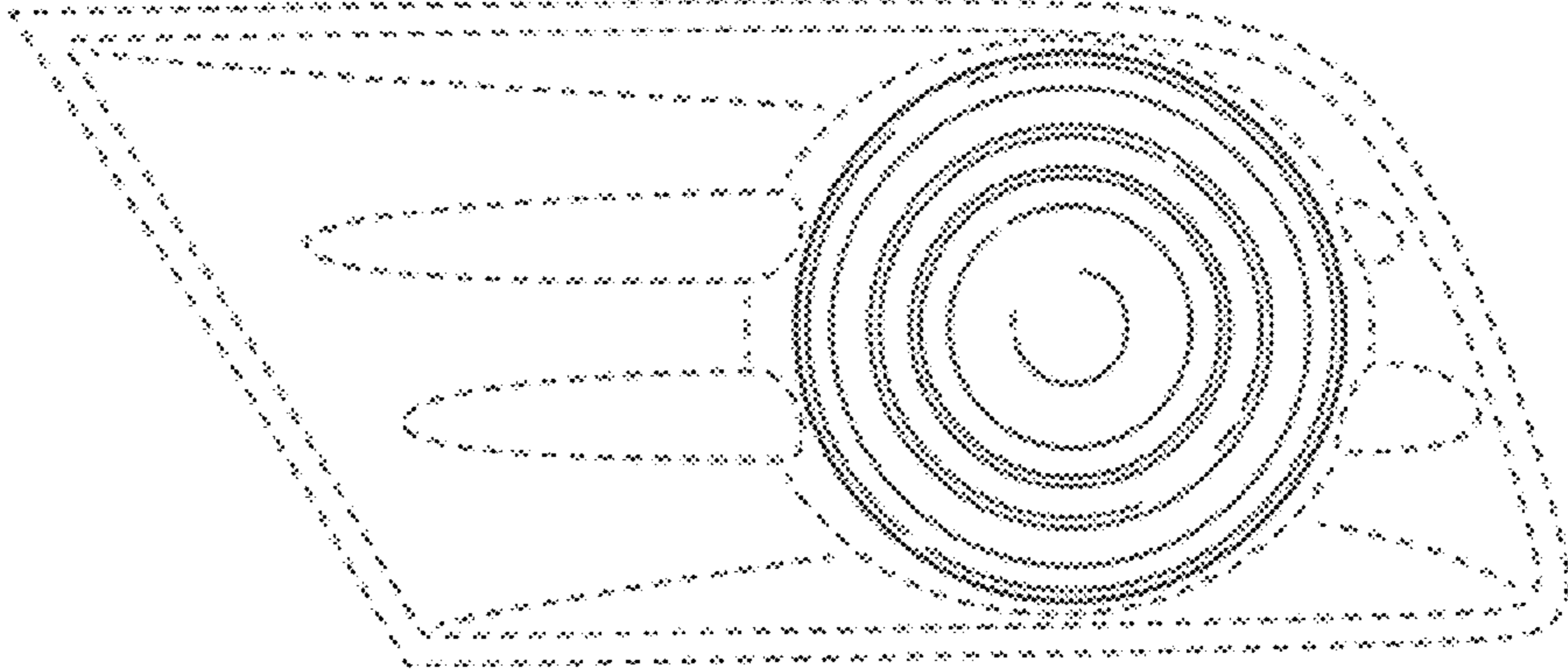


FIG. 2

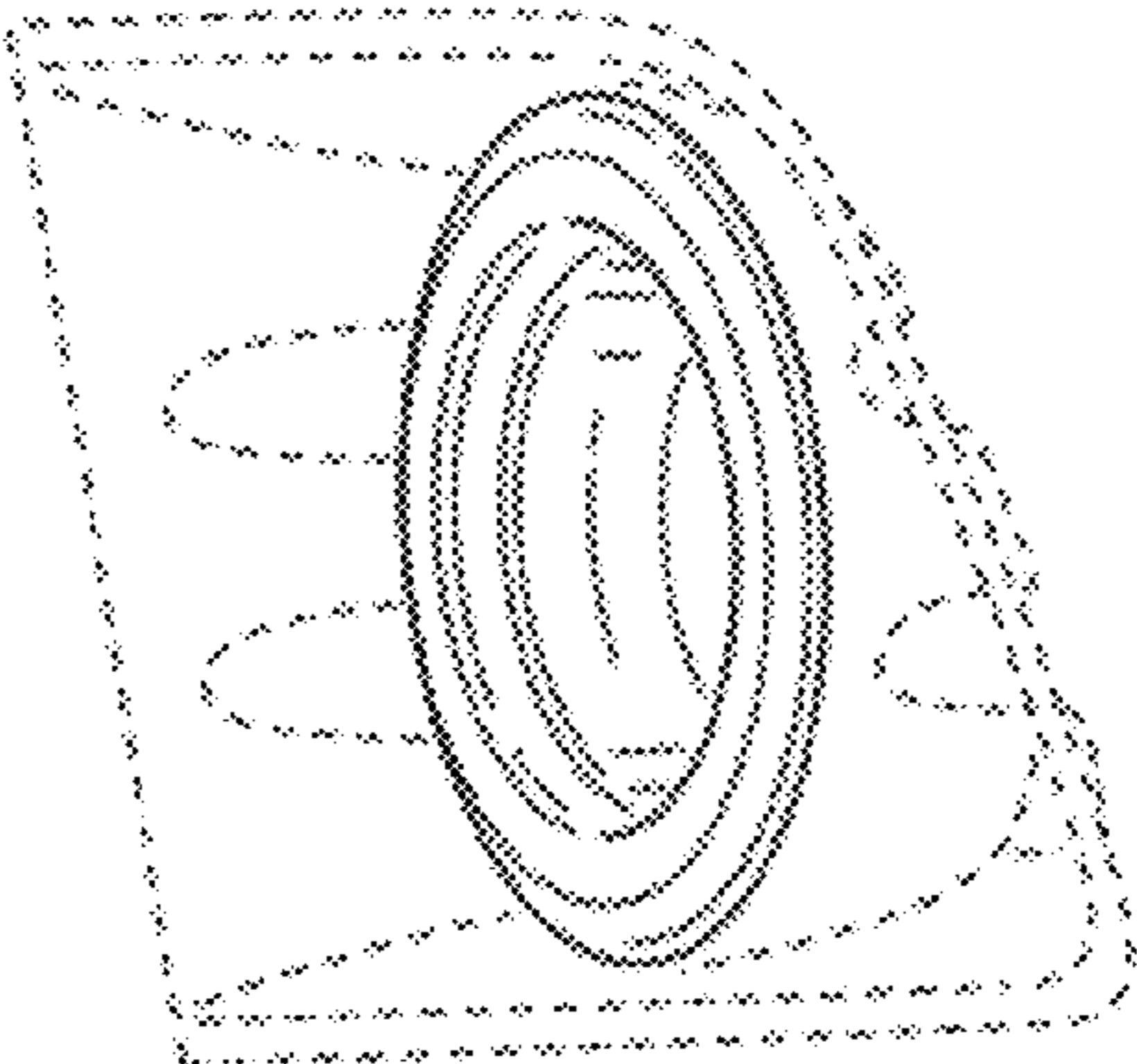


FIG. 3