



US00D661012S

(12) **United States Design Patent**  
**Parkes et al.**

(10) **Patent No.:** **US D661,012 S**  
(45) **Date of Patent:** **\*\* May 29, 2012**

(54) **HEADLIGHT BEZEL OF A RECREATIONAL VEHICLE**

(75) Inventors: **Eric J. Parkes**, Junction City, OR (US);  
**Patrick Quinn**, White Lake, MI (US);  
**Robert B. Riggs**, Canton, MI (US)

(73) Assignee: **International Truck Intellectual Property Company, LLC**, Lisle, IL (US)

(\*\*) Term: **14 Years**

(21) Appl. No.: **29/397,737**

(22) Filed: **Jul. 20, 2011**

(51) **LOC (9) Cl.** ..... **26-99**

(52) **U.S. Cl.** ..... **D26/139**

(58) **Field of Classification Search** ..... D26/28-36,  
D26/139; 362/61, 80-83, 459-468, 475-478,  
362/485-487

See application file for complete search history.

(56) **References Cited**

**U.S. PATENT DOCUMENTS**

D421,817 S \* 3/2000 Tucker et al. .... D26/139  
D527,123 S 8/2006 Beigel  
D529,223 S 9/2006 Beigel

D539,947 S 4/2007 Lee  
D571,500 S \* 6/2008 Lin ..... D26/139  
D592,324 S 5/2009 Beigel  
D595,895 S \* 7/2009 Lamm ..... D26/139  
D604,893 S \* 11/2009 Woolley et al. .... D26/139  
D608,498 S 1/2010 Beigel  
D640,826 S 6/2011 Beigel

\* cited by examiner

*Primary Examiner* — Marcus Jackson

(74) *Attorney, Agent, or Firm* — Jeffrey P. Calfa; Mark C. Bach; Gerald W. Askew

(57) **CLAIM**

The ornamental design for a headlight bezel of a recreational vehicle, as shown and described.

**DESCRIPTION**

FIG. 1 is a front and left side perspective view of a left hand embodiment of a headlight bezel of a recreational vehicle showing our new design;

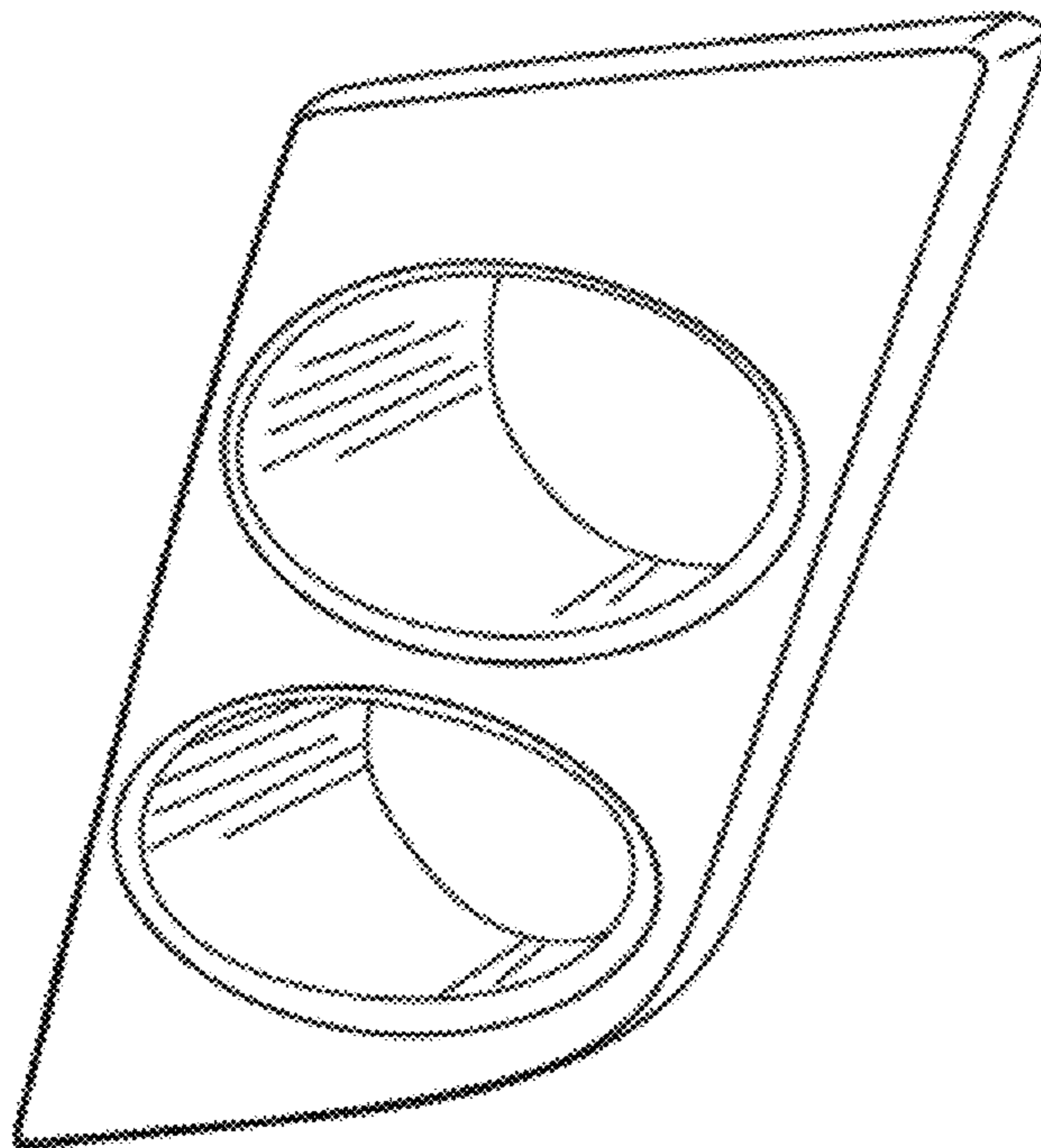
FIG. 2 is a top plan view thereof;

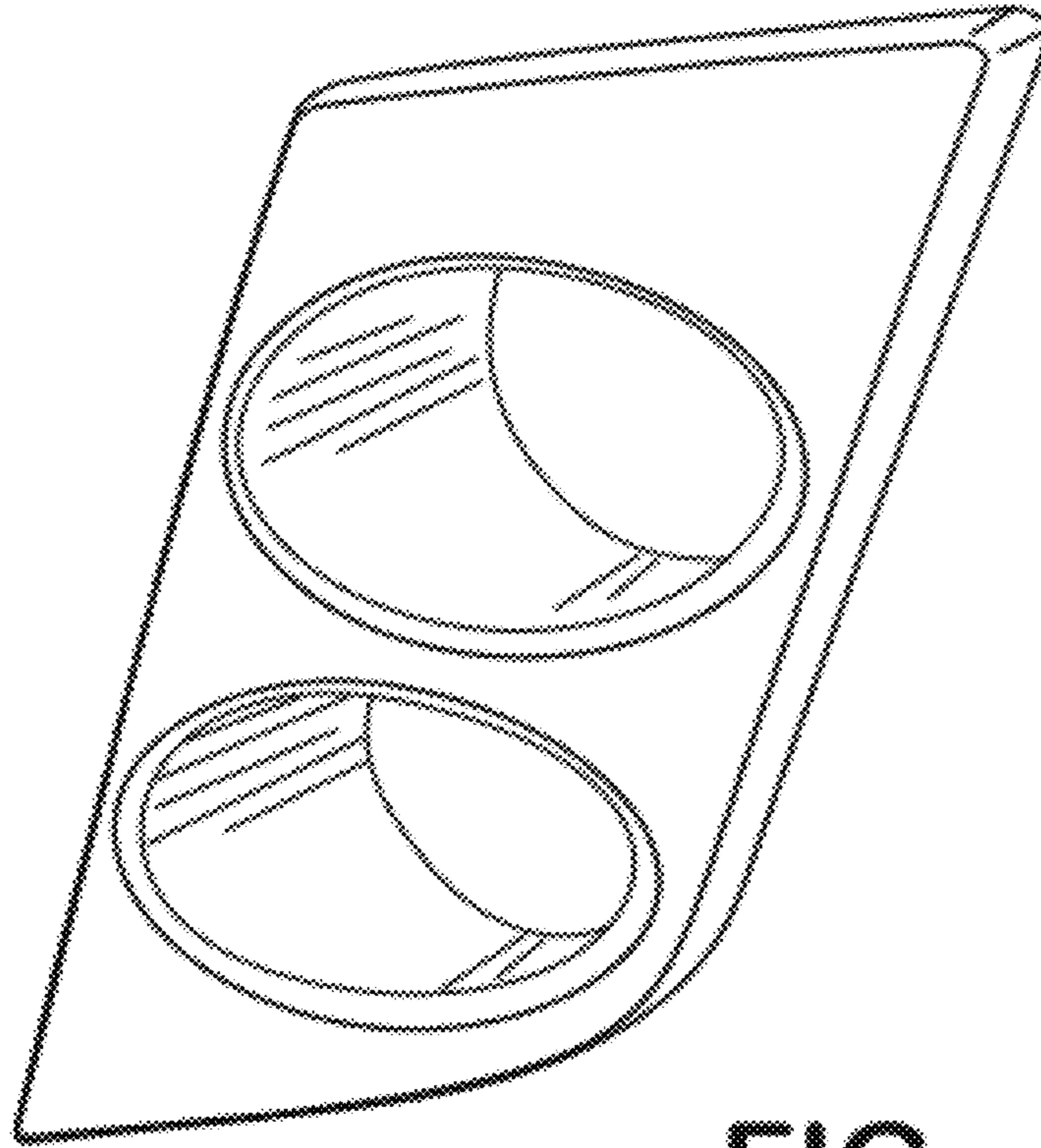
FIG. 3 is a right side elevation view thereof;

FIG. 4 is a left side elevation view thereof; and,

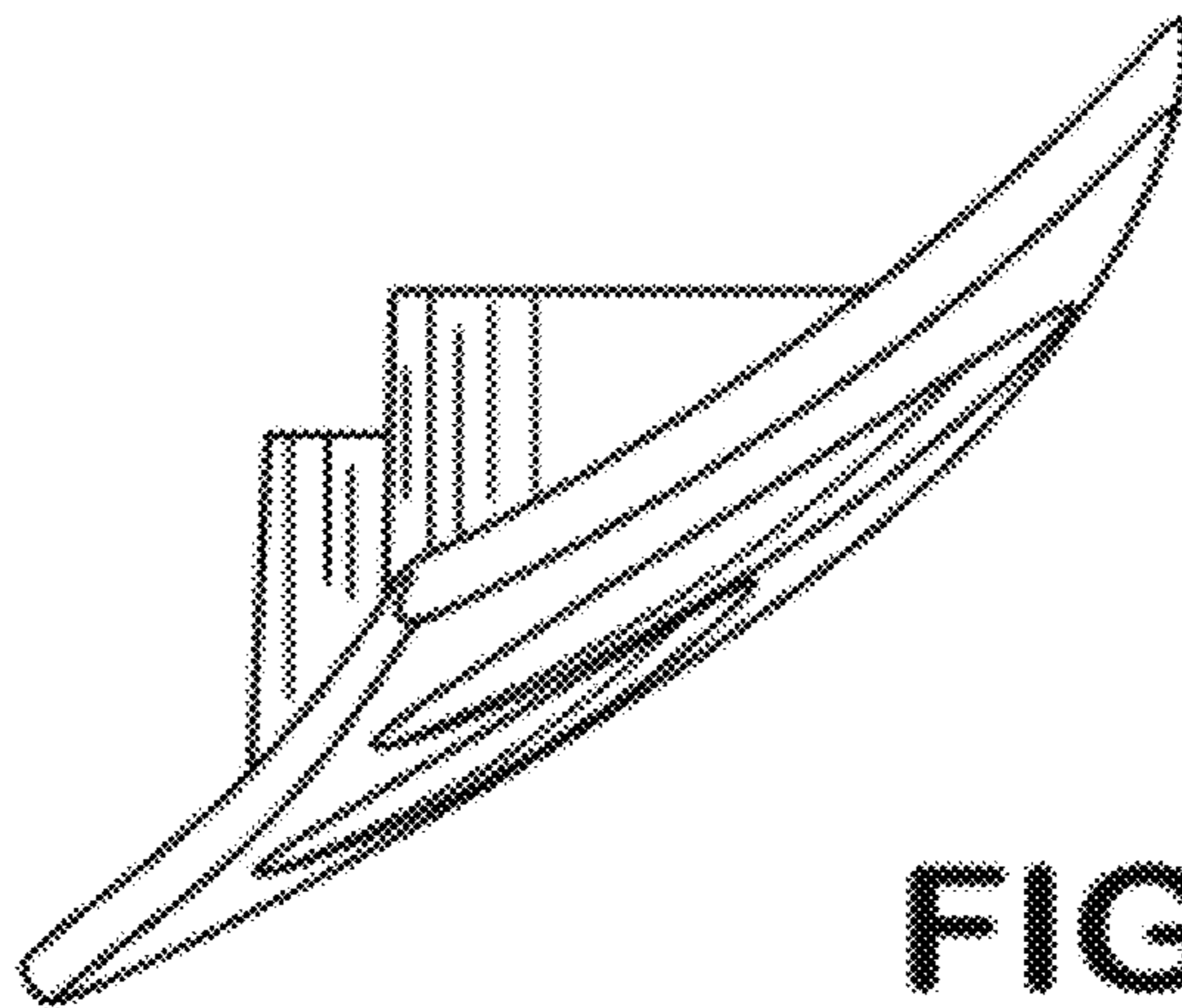
FIG. 5 is a front elevation view thereof.

**1 Claim, 2 Drawing Sheets**





**FIG. 1**



**FIG. 2**

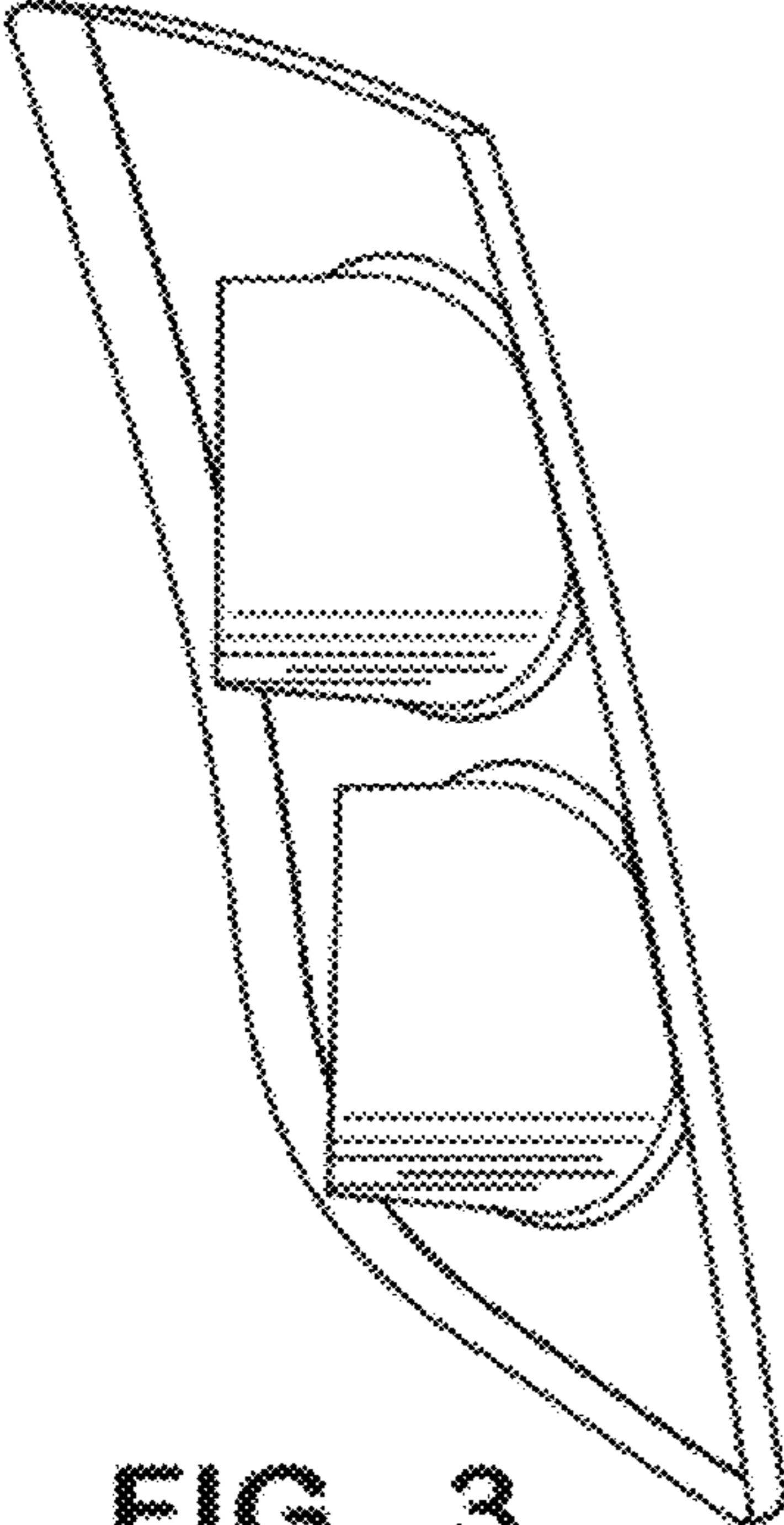


FIG. 3

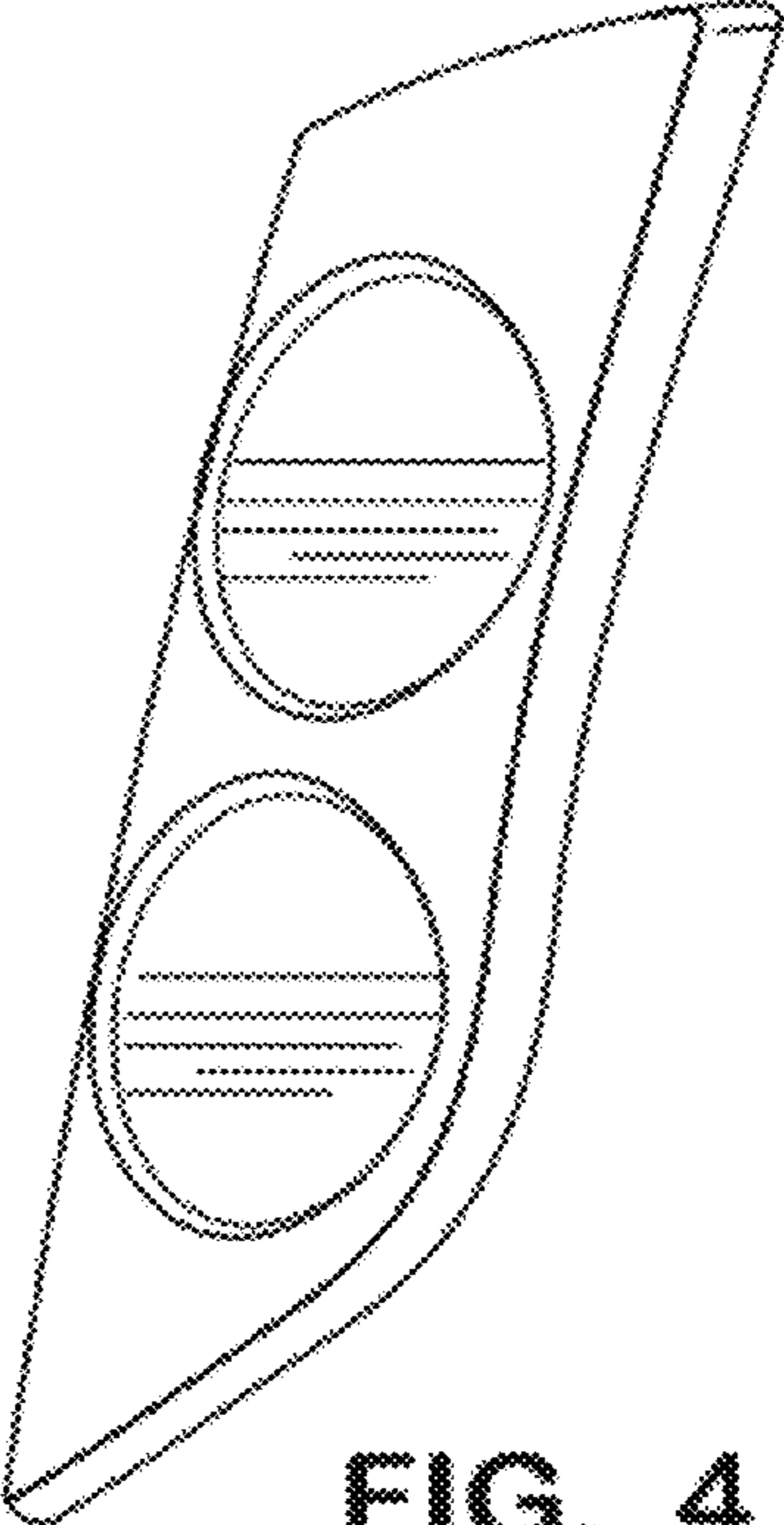


FIG. 4

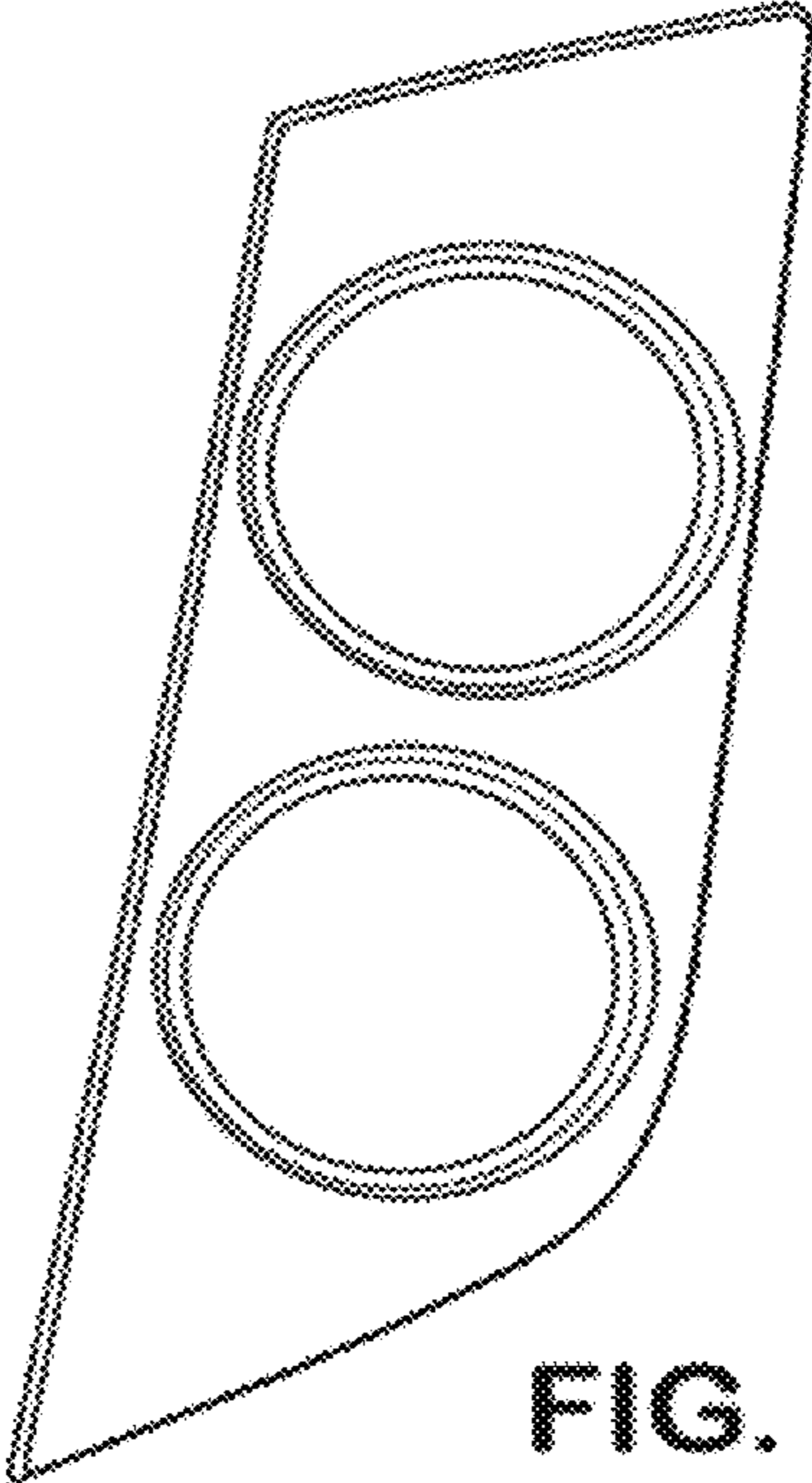


FIG. 5