

US00D661011S

(12) **United States Design Patent**
Parkes et al.

(10) **Patent No.:** **US D661,011 S**
(45) **Date of Patent:** **** May 29, 2012**

(54) **HEADLIGHT BEZEL OF A RECREATIONAL VEHICLE**

(75) Inventors: **Eric J. Parkes**, Junction City, OR (US);
Patrick Quinn, White Lake, MI (US); **L. David Allendorph**, Fort Wayne, IN (US); **Zachary Whitaker**, Detroit, MI (US)

(73) Assignee: **International Truck Intellectual Property Company, LLC**, Lisle, IL (US)

(**) Term: **14 Years**

(21) Appl. No.: **29/397,695**

(22) Filed: **Jul. 20, 2011**

(51) **LOC (9) Cl.** **26-99**

(52) **U.S. Cl.** **D26/139**

(58) **Field of Classification Search** D26/28-36,
D26/139; 362/61, 80-83, 459-468, 475-478,
362/485-487

See application file for complete search history.

(56) **References Cited**

U.S. PATENT DOCUMENTS

D421,817 S *	3/2000	Tucker et al.	D26/139
D527,123 S	8/2006	Beigel		
D529,223 S	9/2006	Beigel		
D539,947 S	4/2007	Lee		
D571,500 S *	6/2008	Lin	D26/139
D592,324 S	5/2009	Beigel		
D595,895 S *	7/2009	Lamm	D26/139
D604,893 S *	11/2009	Woolley et al.	D26/139
D608,498 S	1/2010	Beigel		
D640,826 S	6/2011	Beigel		

* cited by examiner

Primary Examiner — Marcus Jackson

(74) *Attorney, Agent, or Firm* — Jeffrey P. Calfa; Mark C. Bach; Gerald W. Askew

(57) **CLAIM**

The ornamental design for a headlight bezel of a recreational vehicle, as shown and described.

DESCRIPTION

FIG. 1 is a front and left side perspective view of a left hand embodiment of a headlight bezel of a recreational vehicle showing our new design;

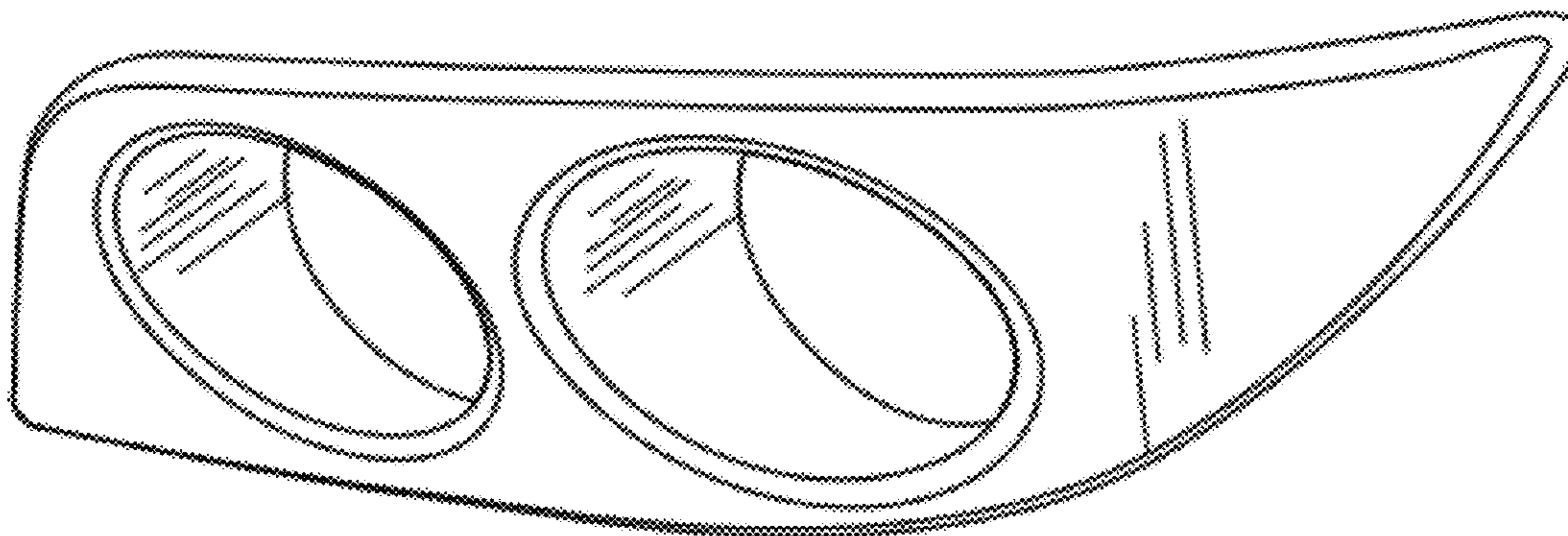
FIG. 2 is a top plan view thereof;

FIG. 3 is a right side elevation view thereof;

FIG. 4 is a left side elevation view thereof; and,

FIG. 5 is a front elevation view thereof.

1 Claim, 2 Drawing Sheets



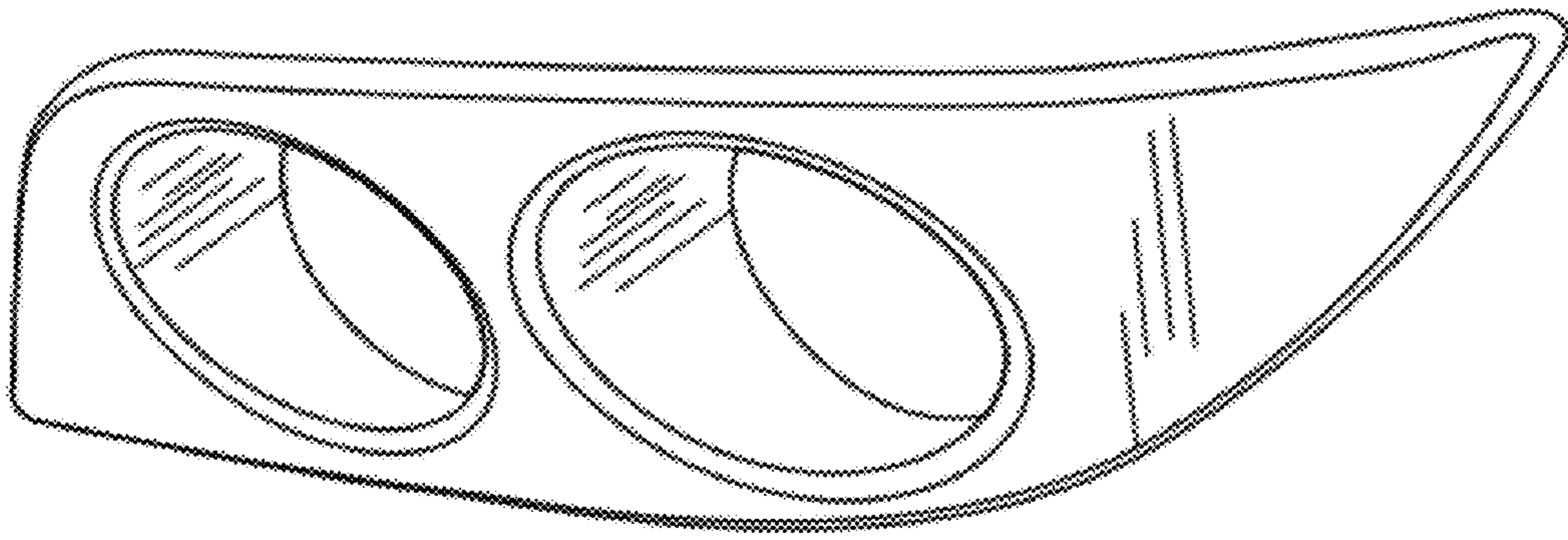


FIG. 1

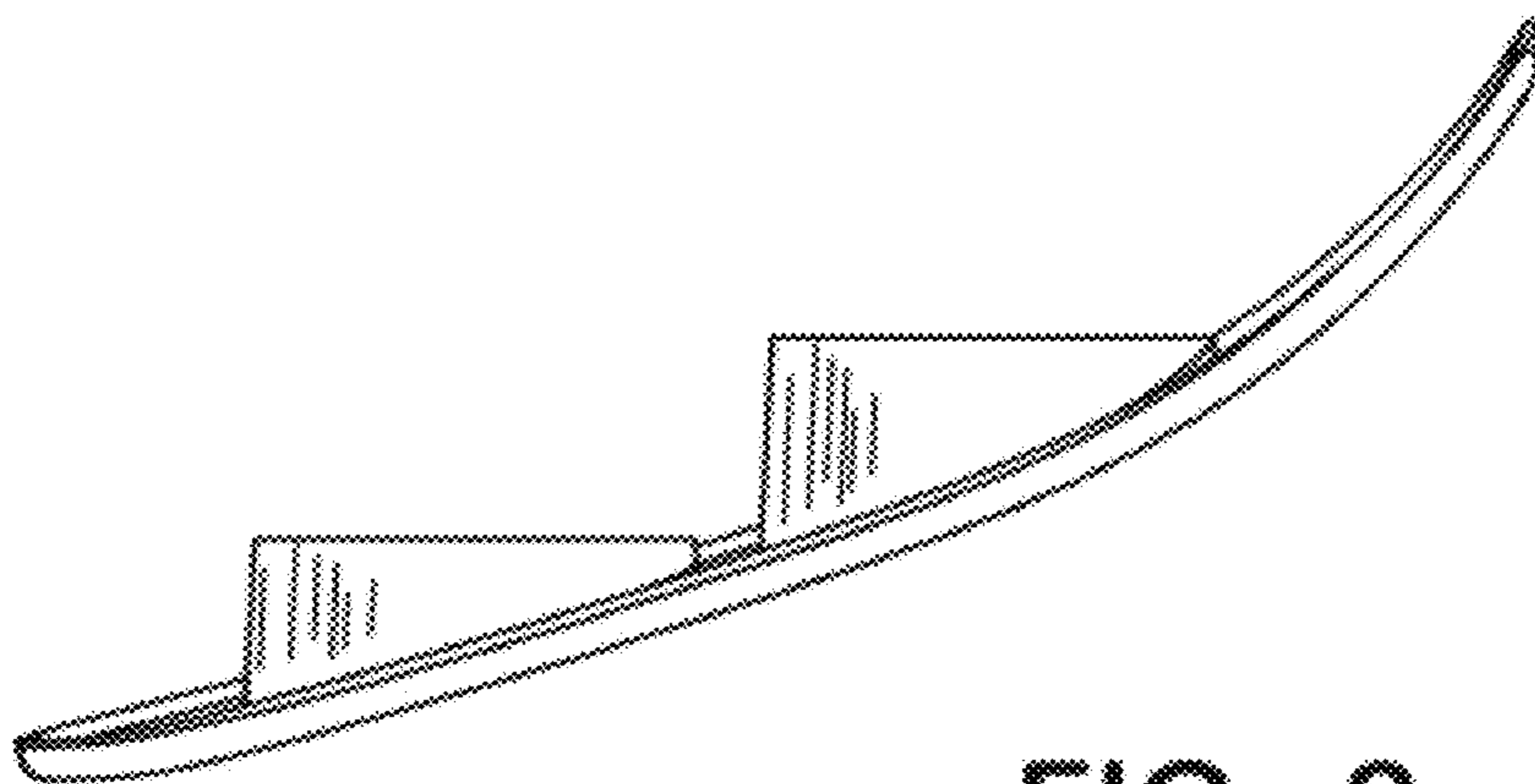


FIG. 2

FIG. 3

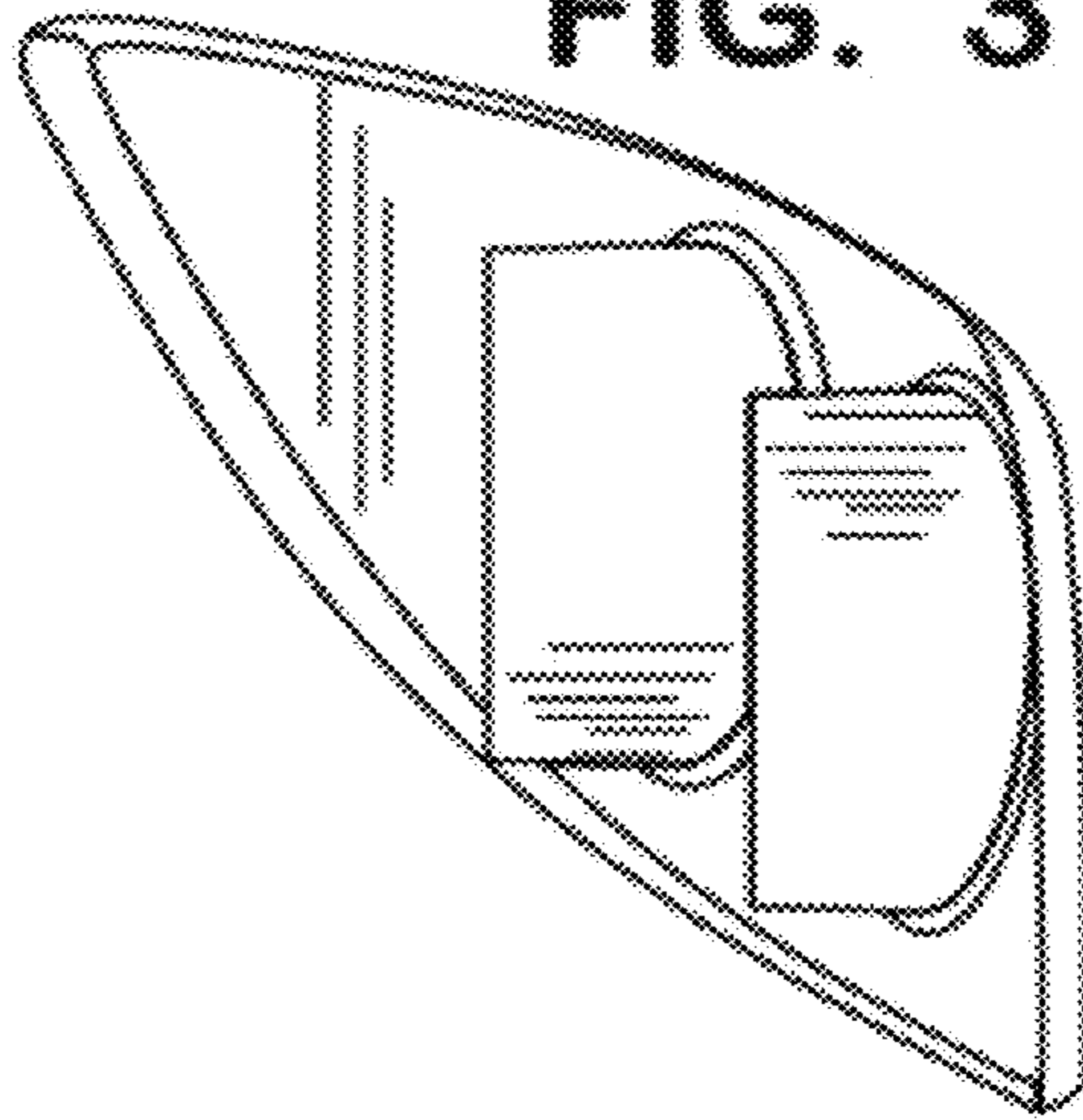


FIG. 4

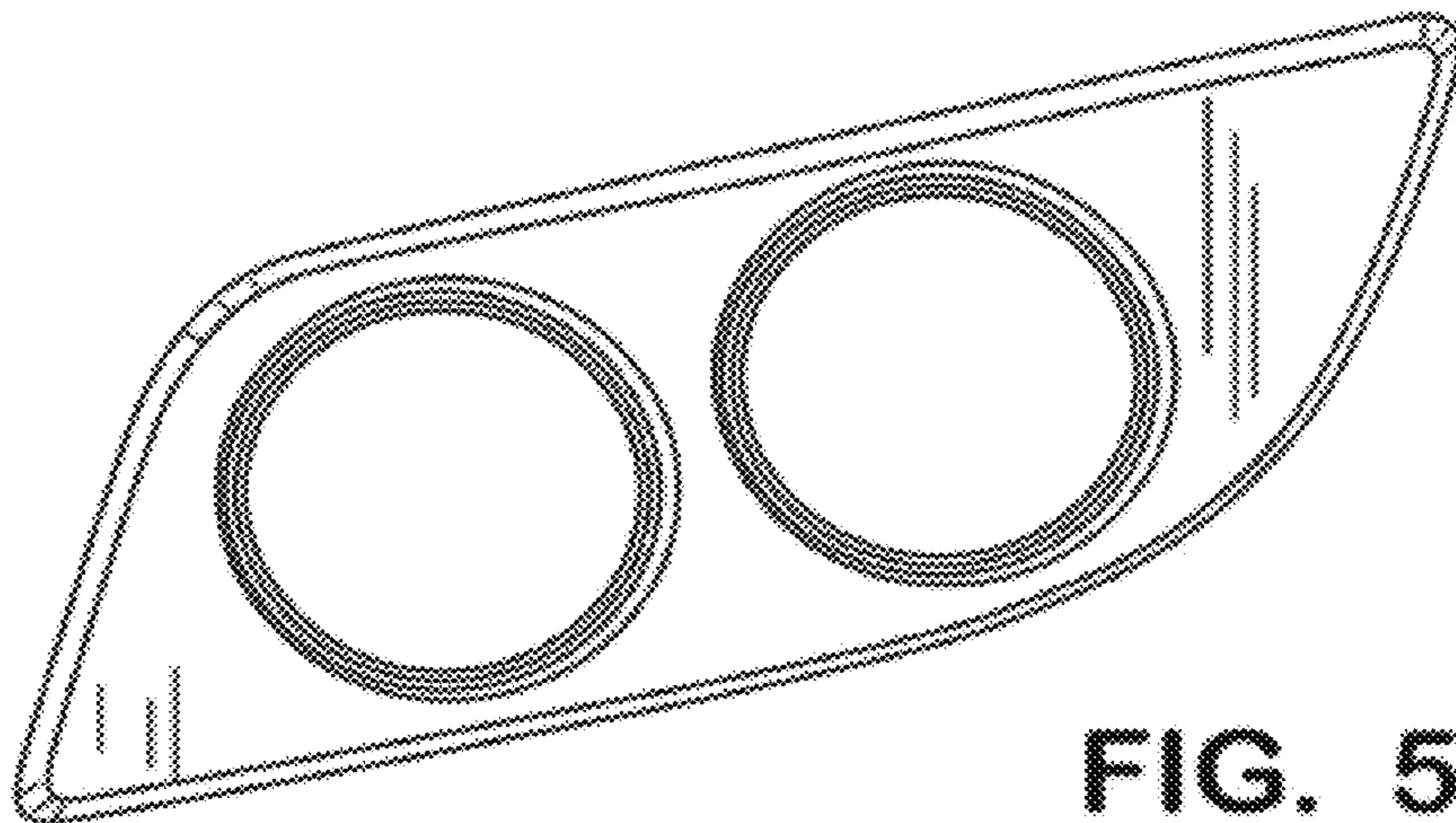
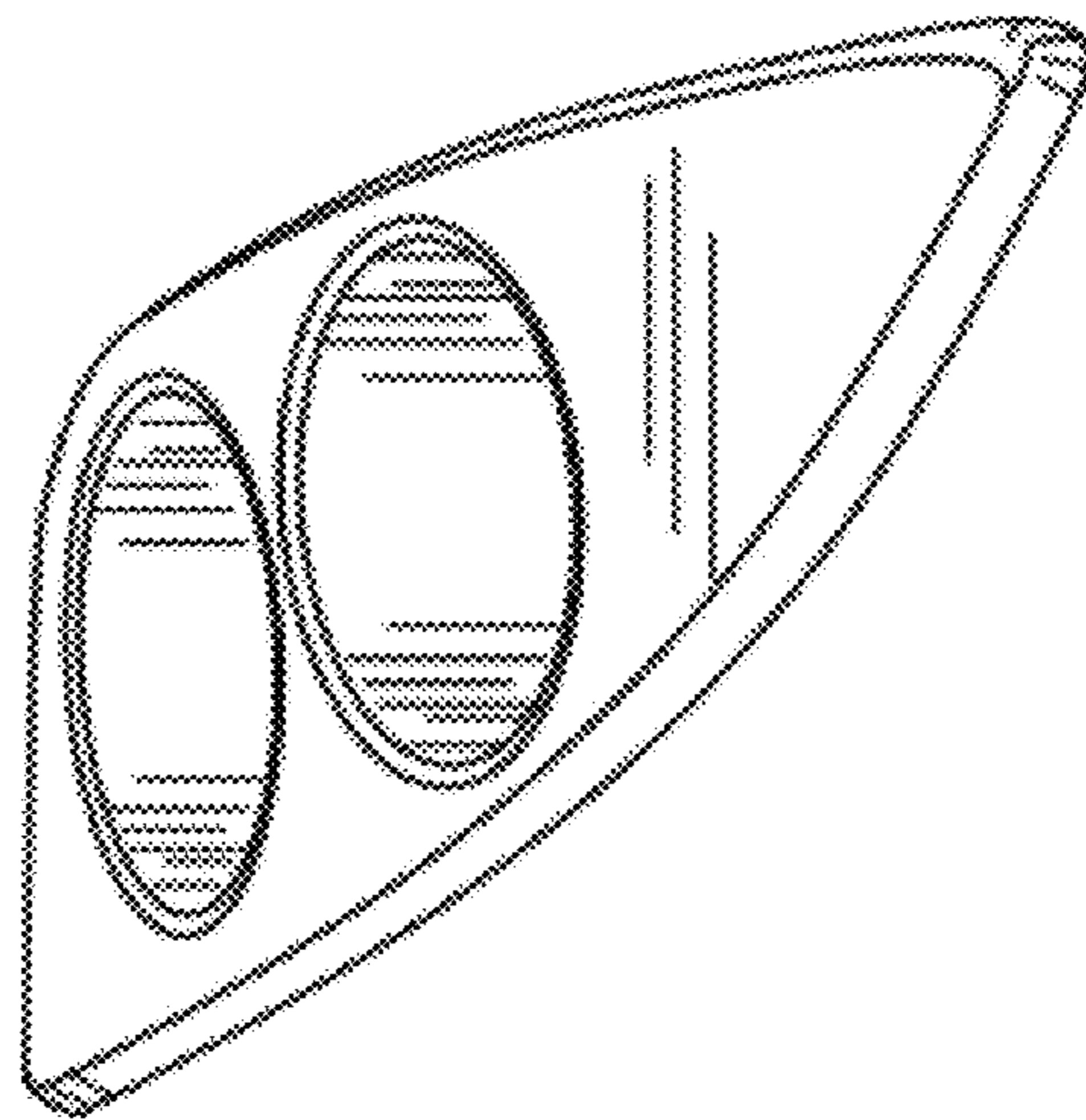


FIG. 5