



US00D661010S

(12) **United States Design Patent**
Hamblin et al.

(10) **Patent No.:** **US D661,010 S**
(45) **Date of Patent:** **** May 29, 2012**

(54) **LIGHT STRIP FOR RAILINGS**
(75) Inventors: **Steven Hamblin**, Daleville, VA (US);
Patrick B. McLane, Scranton, PA (US);
Michael Gori, Peckville, PA (US);
Joseph Toro, Port Jefferson Station, NY (US)

(73) Assignee: **AZEK Building Products, Inc.**,
Scranton, PA (US)

(**) Term: **14 Years**

(21) Appl. No.: **29/408,376**

(22) Filed: **Dec. 12, 2011**

(51) **LOC (9) Cl.** **26-99**

(52) **U.S. Cl.** **D26/138**

(58) **Field of Classification Search** D26/118,
D26/113, 119, 120, 121, 122, 123, 128, 129,
D26/136, 132, 135, 138, 139, 1, 2, 70, 71,
D26/72, 73, 74, 76, 124, 125, 126, 130, 131,
D26/140, 78, 24, 25, 81, 85, 86, 92, 87, 88,
D26/89, 90, 75, 141, 142, 145, 155, 152,
D26/153; 362/555, 362, 326, 405, 152, 146,
362/145, 480, 147, 148, 133, 235; D13/179,
D13/180; D10/111; D11/89, 90; D25/122,
D25/164, 38.1, 123, 124; 52/97; D6/580
See application file for complete search history.

(56) **References Cited**

U.S. PATENT DOCUMENTS

D110,198	S	*	6/1938	Stewart	D26/78
3,867,621	A		2/1975	Gewfirtz et al.		
4,161,769	A	*	7/1979	Elliott	362/146
D311,589	S	*	10/1990	Benchimol et al.	D26/24
5,099,402	A	*	3/1992	Starniri	362/146
D344,605	S	*	2/1994	Aspenwall	D26/76
5,343,375	A		8/1994	Gross et al.		
5,396,740	A	*	3/1995	Bocchi	52/33
D361,010	S	*	8/1995	Hebsgaard	D6/580
D378,432	S	*	3/1997	Raynes	D25/164

D414,580	S	*	9/1999	Herst	D26/76
6,050,700	A	*	4/2000	Satterfield	362/216
D432,672	S	*	10/2000	Grosfillex	D25/124
D447,249	S	*	8/2001	Chang et al.	D25/69
6,361,186	B1	*	3/2002	Slayden	362/241
D463,058	S	*	9/2002	Nourishad	D26/76
6,554,446	B1	*	4/2003	Walsh et al.	362/146
6,609,813	B1	*	8/2003	Showers et al.	362/240
6,619,814	B1		9/2003	Hamada et al.		
6,652,112	B1	*	11/2003	Lucarelli	362/145
D519,648	S	*	4/2006	Enersen	D25/69
7,192,161	B1	*	3/2007	Cleaver et al.	362/260
D539,752	S	*	4/2007	Ruddick	D13/155
7,303,310	B2	*	12/2007	You et al.	362/240

(Continued)

Primary Examiner — Kevin Rudzinski

(74) *Attorney, Agent, or Firm* — Buchanan Ingersoll & Rooney PC

(57) **CLAIM**

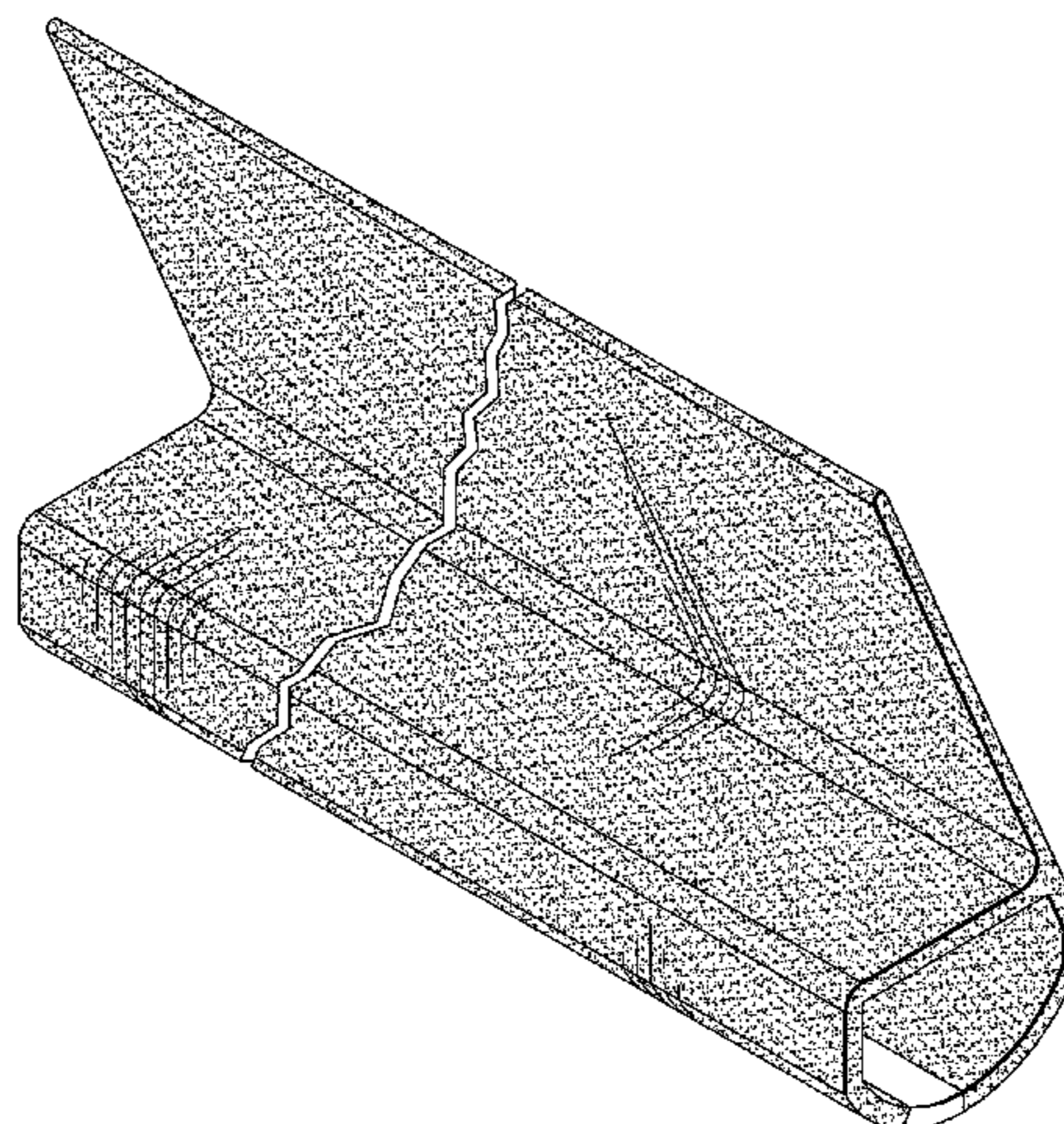
The ornamental design for a light strip for railings, as shown and described.

DESCRIPTION

FIG. 1 is a rear perspective view of our light strip for railings; FIG. 2 is a right side view thereof, the left side view being a mirror image thereof; FIG. 3 is a top view thereof; FIG. 4 is a bottom view thereof; FIG. 5 is a rear view thereof; FIG. 6 is a front view thereof; and, FIG. 7 is a rear perspective view similar to FIG. 1 showing one end of a strip of LED lights in broken lines that has been inserted into the light strip for railings.

The broken lines shown in FIG. 7 illustrate a strip of LED lights that forms no part of the claimed design. The stippling indicates an opaque material, the remaining portion being a light transmissive material. The light strip is shown broken away in FIGS. 1 and 2-7 to indicate the design has no specific length.

1 Claim, 4 Drawing Sheets



US D661,010 S

Page 2

U.S. PATENT DOCUMENTS

D578,248	S *	10/2008	Lee et al.	D26/138	D646,002	S *	9/2011	Wang	D26/24
D578,871	S *	10/2008	Rogers	D8/376	8,015,755	B2 *	9/2011	Miller et al.	52/97
7,604,376	B2 *	10/2009	Sloan et al.	362/246	2003/0163967	A1 *	9/2003	Sims	52/586.2
D604,151	S *	11/2009	Kollman et al.	D8/376	2004/0076004	A1 *	4/2004	Smith, Jr.	362/237
7,648,251	B2	1/2010	Whitehouse et al.		2006/0191101	A1 *	8/2006	Elmer	16/91
D625,463	S *	10/2010	Klus	D26/138	2007/0133192	A1	6/2007	Alessandro	
D627,095	S *	11/2010	Miyairi et al.	D26/120	2008/0285264	A1	11/2008	Whitehouse et al.	
D631,857	S *	2/2011	Hsieh	D13/180	2008/0304253	A1 *	12/2008	Handsaker	362/146
D633,642	S *	3/2011	Wauters	D26/85	2009/0051517	A1	2/2009	Suzuki	
D641,101	S *	7/2011	Radchenko et al.	D26/138	2009/0200966	A1	8/2009	Whitehouse et al.	
D641,923	S *	7/2011	Radchenko et al.	D26/138	2010/0200713	A1 *	8/2010	Miller et al.	248/220.21
8,002,426	B2 *	8/2011	Pearson et al.	362/152	2010/0277898	A1	11/2010	Murray et al.	

* cited by examiner

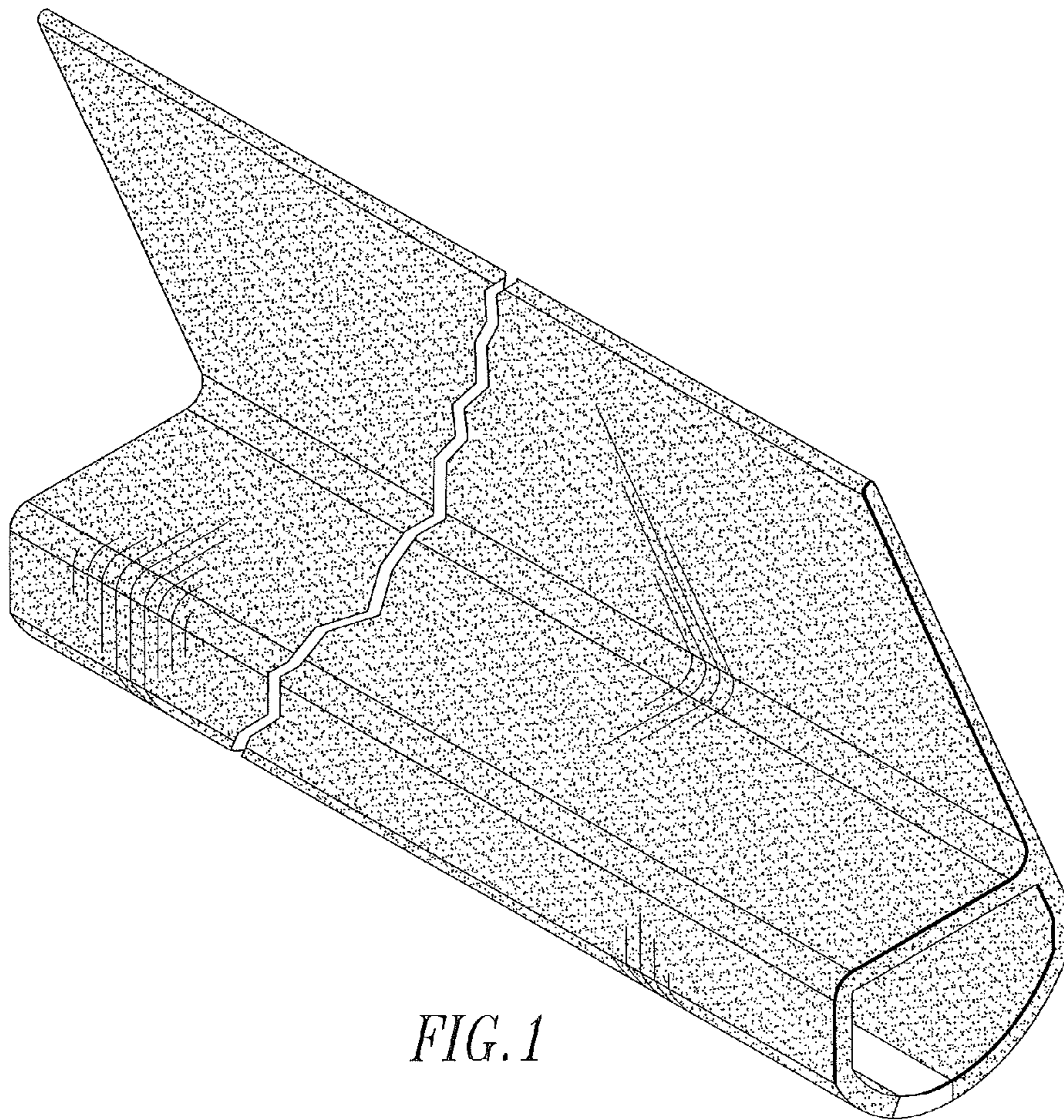


FIG. 1

FIG. 2

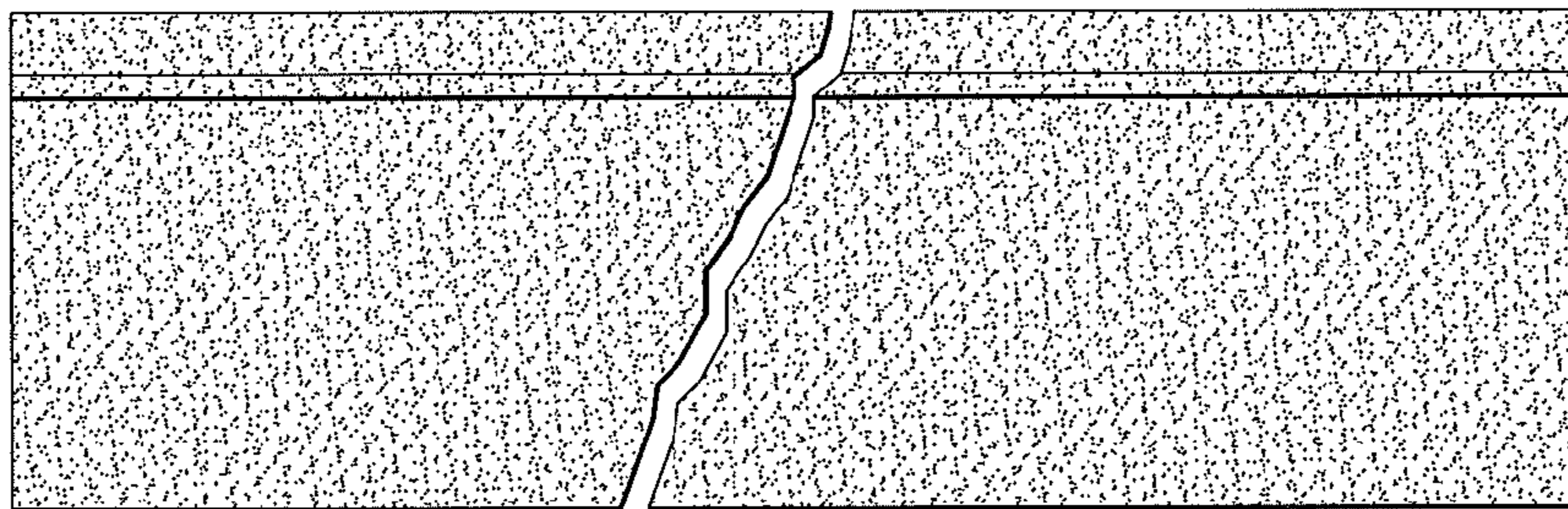
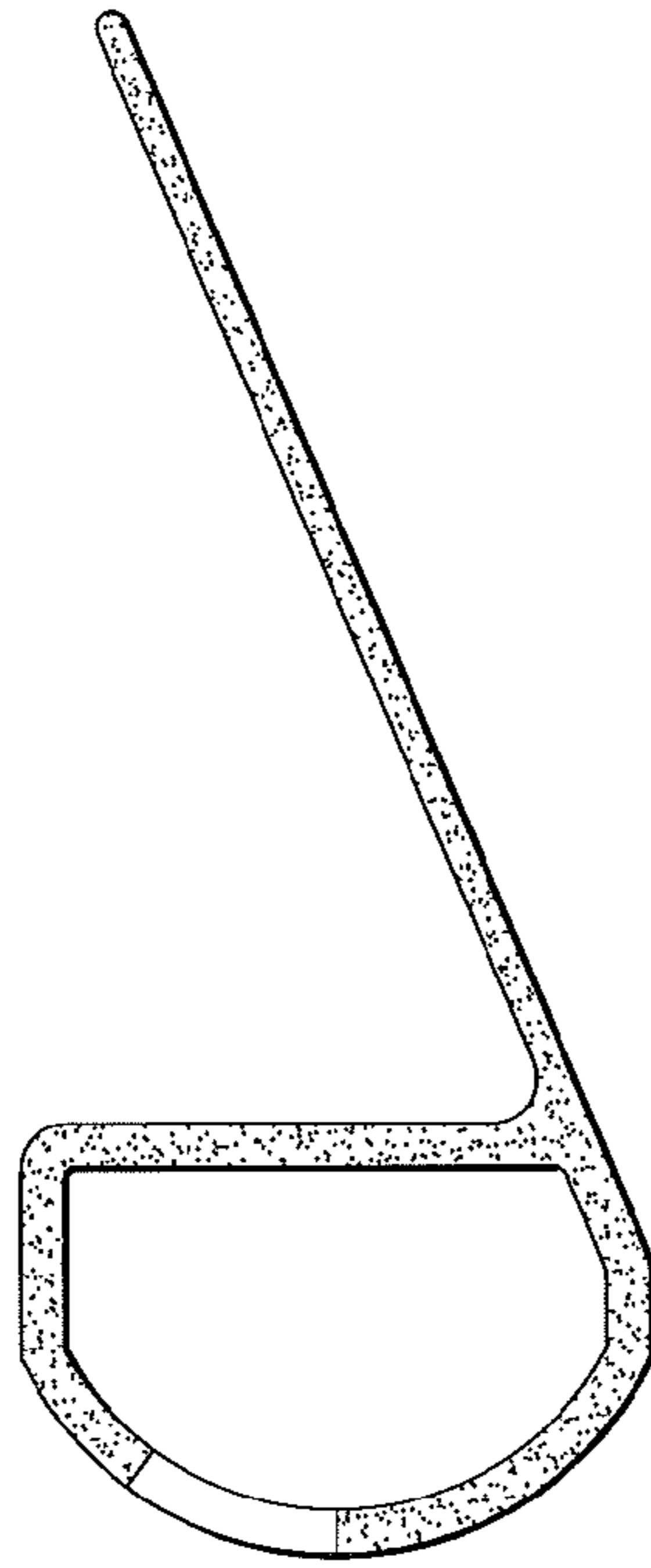


FIG. 3

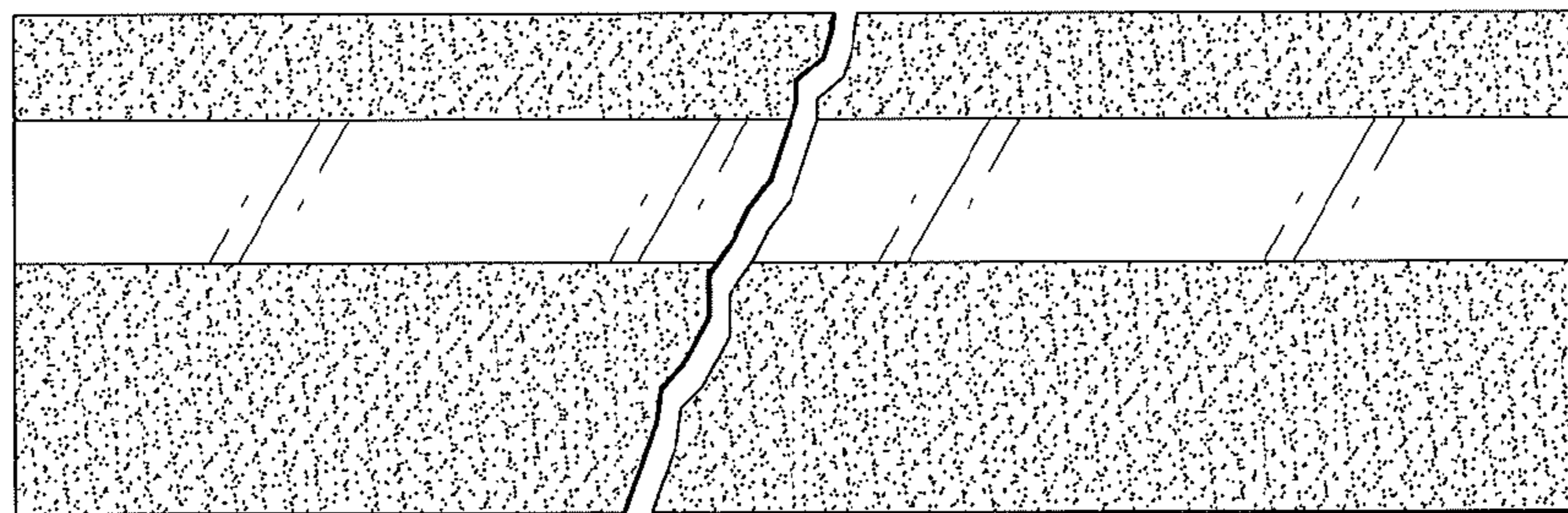


FIG. 4

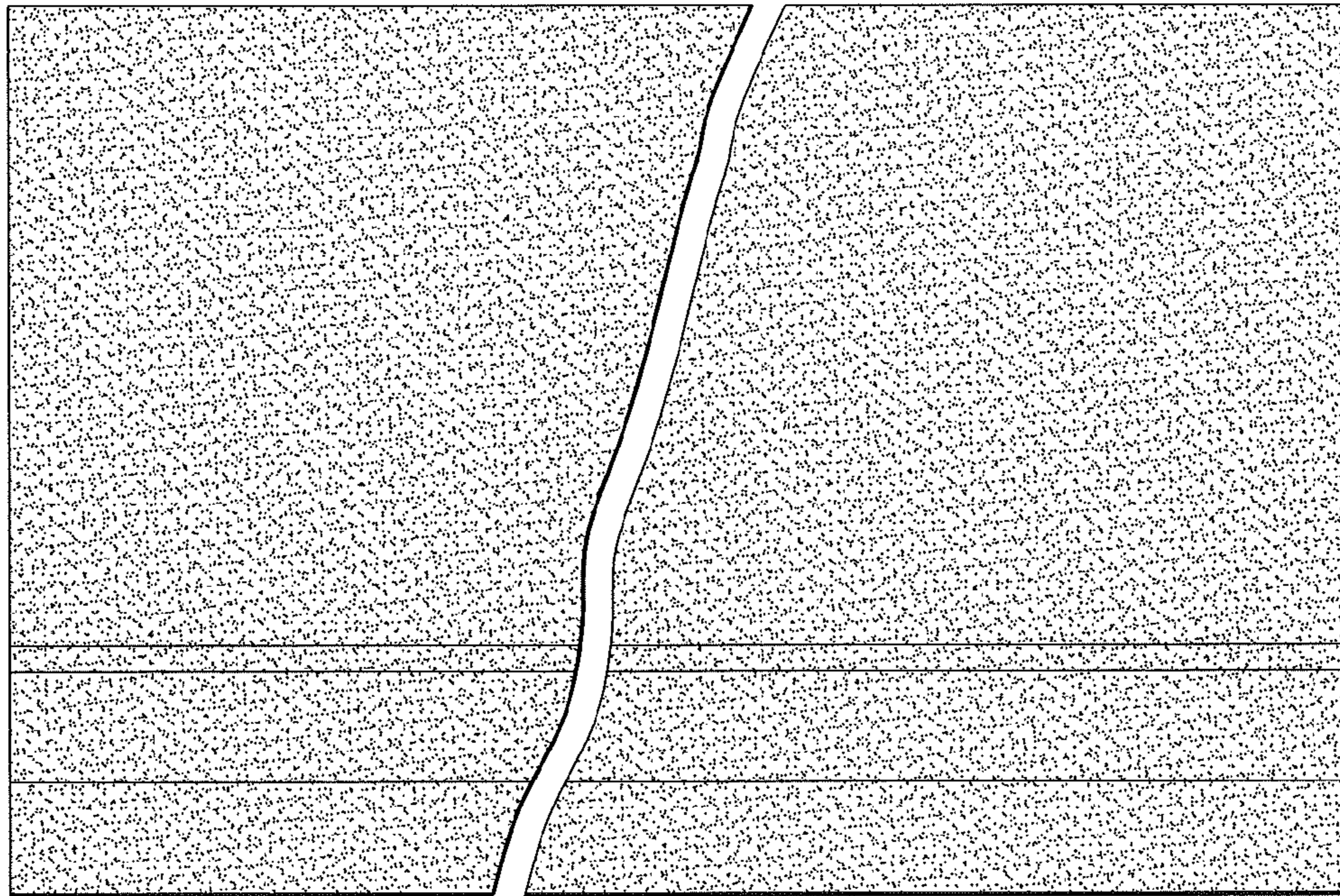


FIG. 5

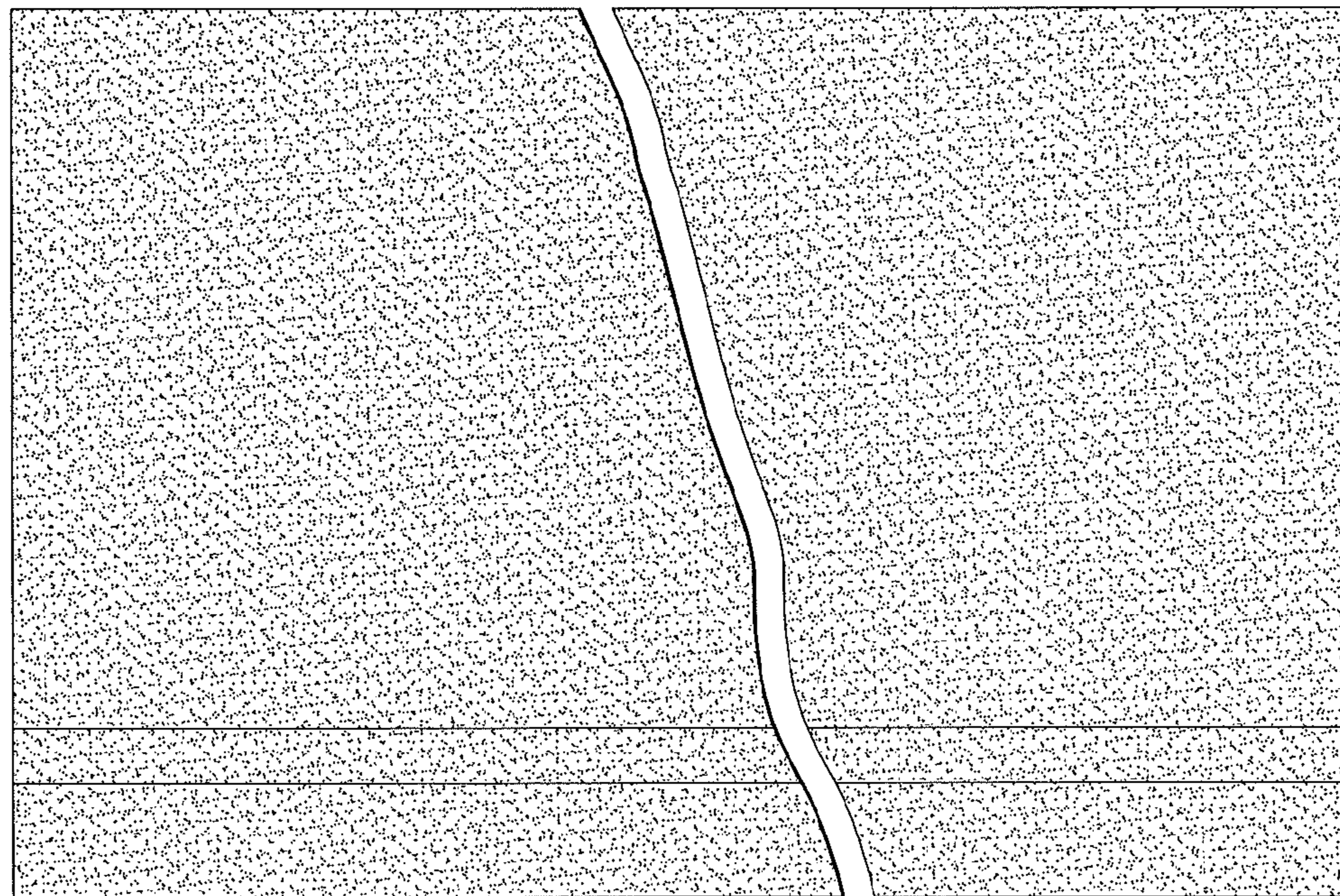


FIG. 6

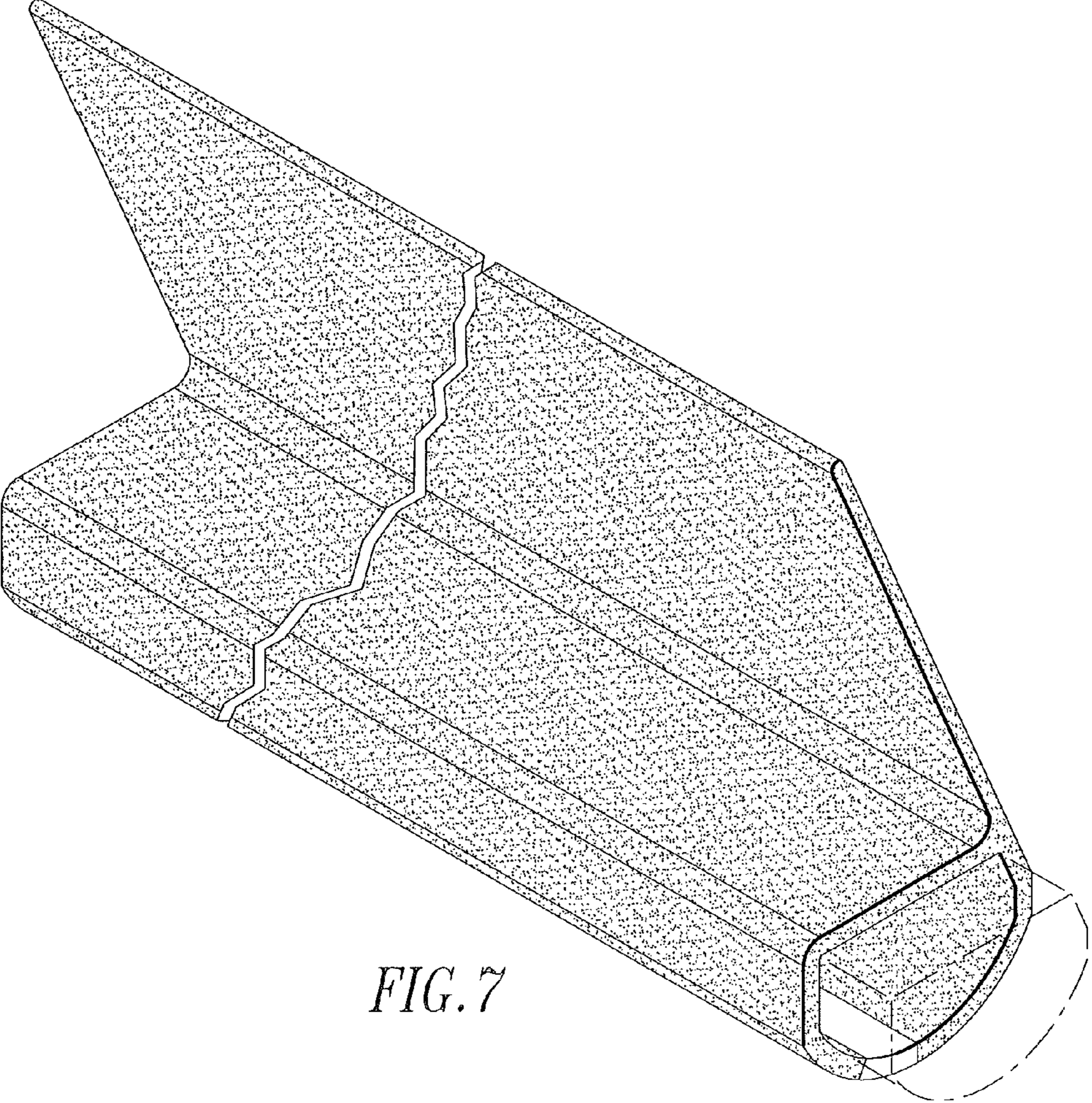


FIG. 7