



US00D661009S

(12) **United States Design Patent**
Bennett et al.

(10) **Patent No.:** **US D661,009 S**
(45) **Date of Patent:** **** May 29, 2012**

(54) **LIGHTING DEVICE**

(75) Inventors: **Jason R. Bennett**, Sydney (AU);
Timothy J. Rugendyke, Woy Woy
(AU); **Kenneth G. Bonham**, Glossodia
(AU); **Peter McMillan**, Naremburn (AU)

(73) Assignee: **Eveready Battery Company, Inc.**, St.
Louis, MO (US)

(**) Term: **14 Years**

(21) Appl. No.: **29/391,422**

(22) Filed: **May 9, 2011**

(51) **LOC (9) Cl.** **26-03**

(52) **U.S. Cl.** **D26/93**

(58) **Field of Classification Search** D26/1,
D26/24, 67, 93-94, 101, 104-110, 113, 118;
362/3, 153, 186, 217, 255, 257, 277, 317,
362/351, 353, 362, 363, 382, 431, 433, 458,
362/806

See application file for complete search history.

(56) **References Cited**

U.S. PATENT DOCUMENTS

D243,415 S *	2/1977	Larson	D26/105
D307,638 S *	5/1990	Perkins	D26/104
D525,739 S *	7/2006	Wu	D26/93
D630,370 S *	1/2011	Meeker et al.	D26/93
D650,511 S *	12/2011	Hine et al.	D26/93

* cited by examiner

Primary Examiner — Brian N Vinson

(74) *Attorney, Agent, or Firm* — Michael C. Pophal

(57) **CLAIM**

We claim the ornamental design for a lighting device, as shown and described.

DESCRIPTION

FIG. 1 is a front perspective view of the lighting device showing a first embodiment of our new design.

FIG. 2 is a top perspective view thereof.

FIG. 3 is a front view thereof.

FIG. 4 is a right side view thereof. The left side view and rear view are mirror images of the right side view.

FIG. 5 is a top view thereof.

FIG. 6 is a bottom view thereof.

FIG. 7 is a front perspective view of the lighting device showing a second embodiment of our new design.

FIG. 8 is a top perspective view thereof.

FIG. 9 is a front view thereof.

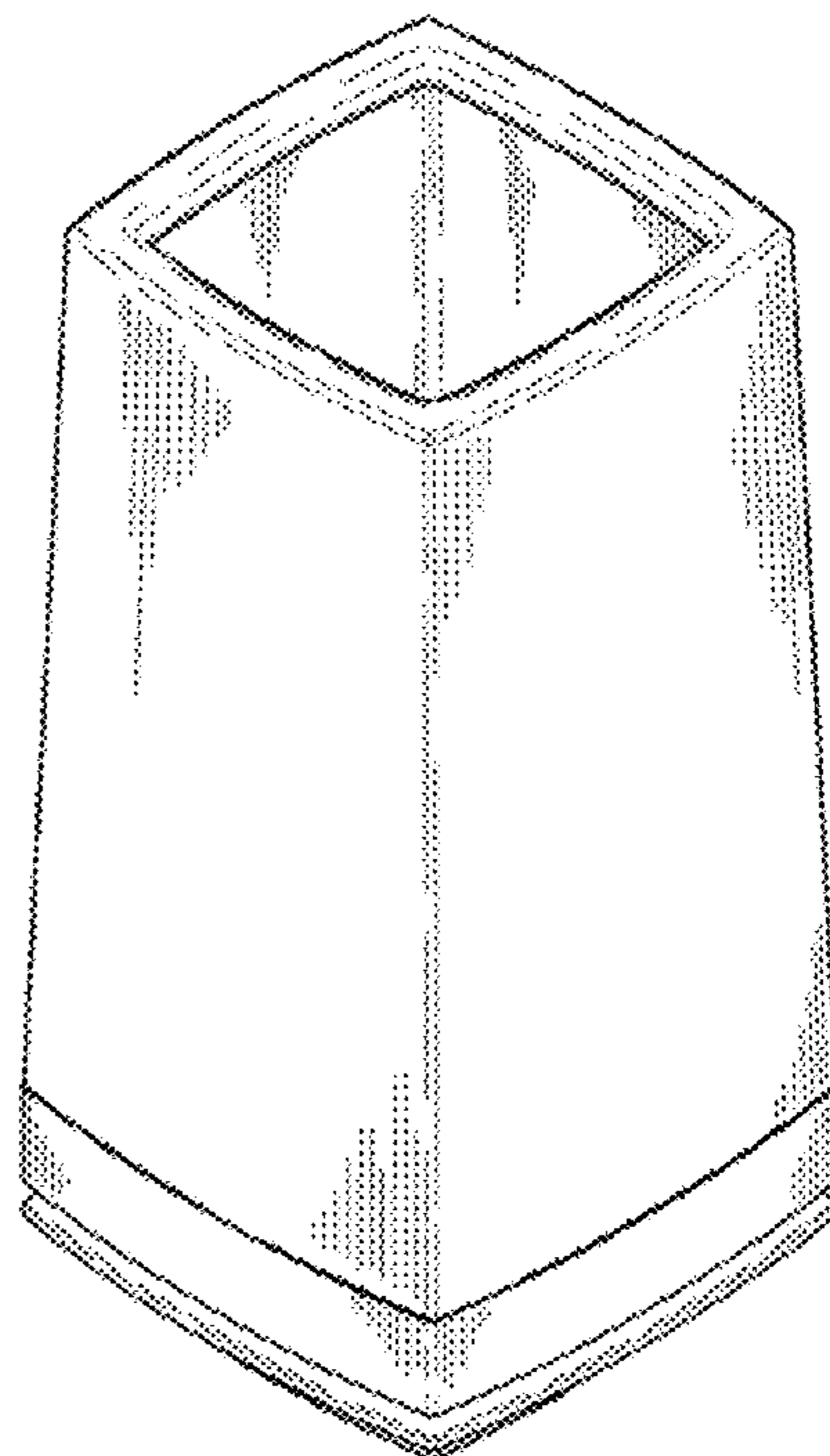
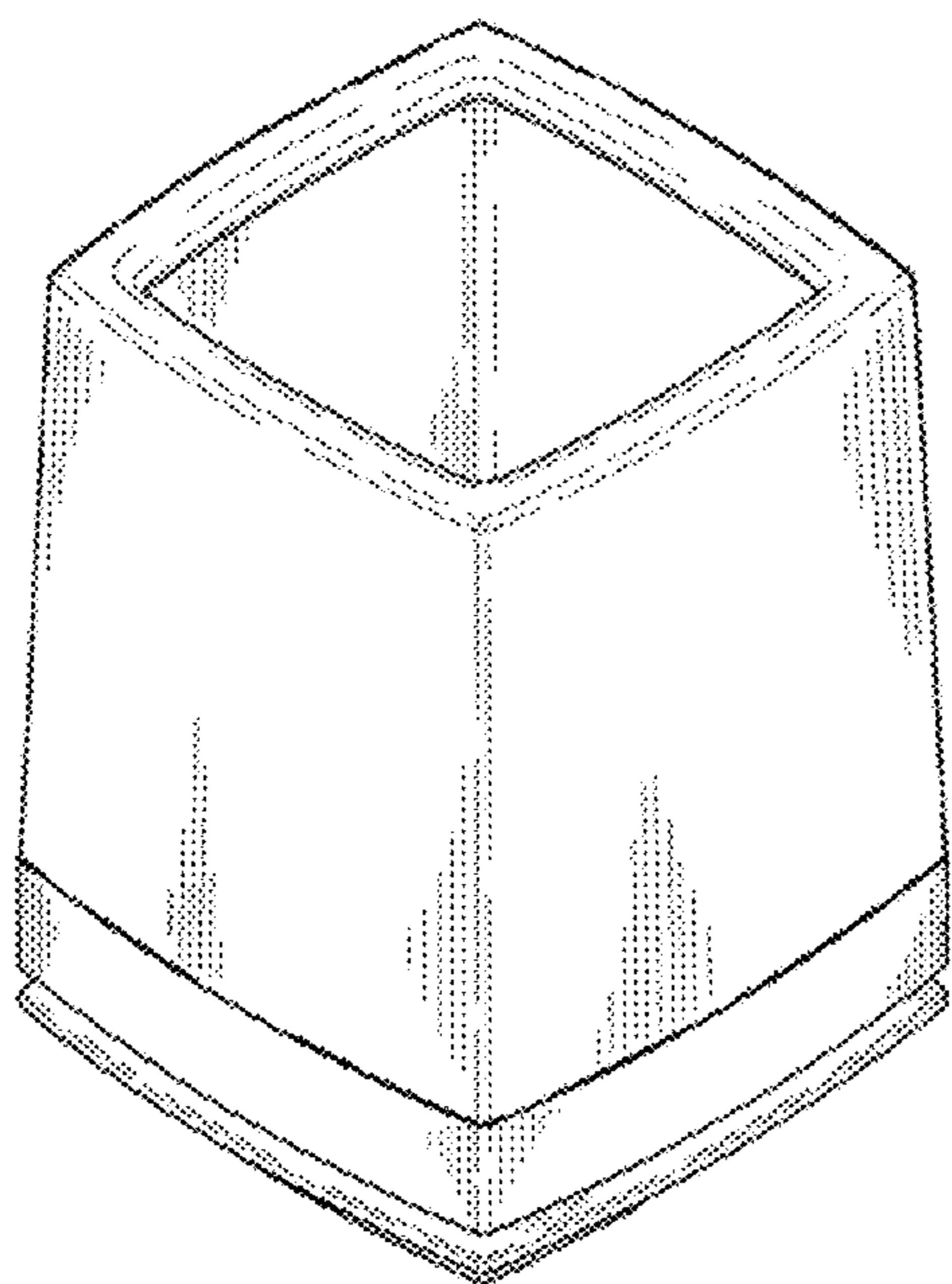
FIG. 10 is a right side view thereof. The left side view and rear view are mirror images of the right side view.

FIG. 11 is a top view thereof; and,

FIG. 12 is a bottom view thereof.

The broken-line disclosure in the views represents portions of the article in which the claimed design is embodied, but which form no part of the claimed design.

1 Claim, 8 Drawing Sheets



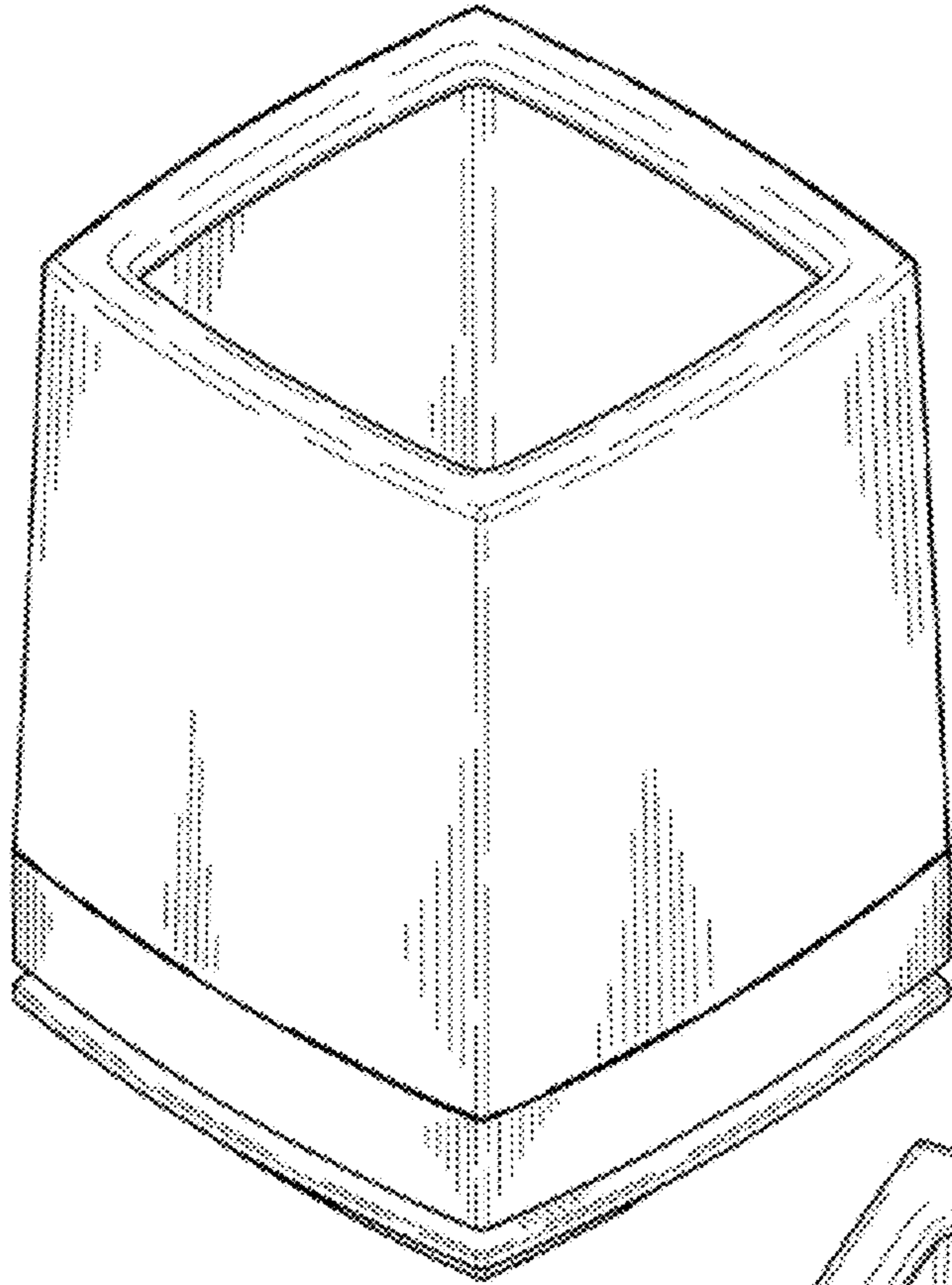


Fig. 1

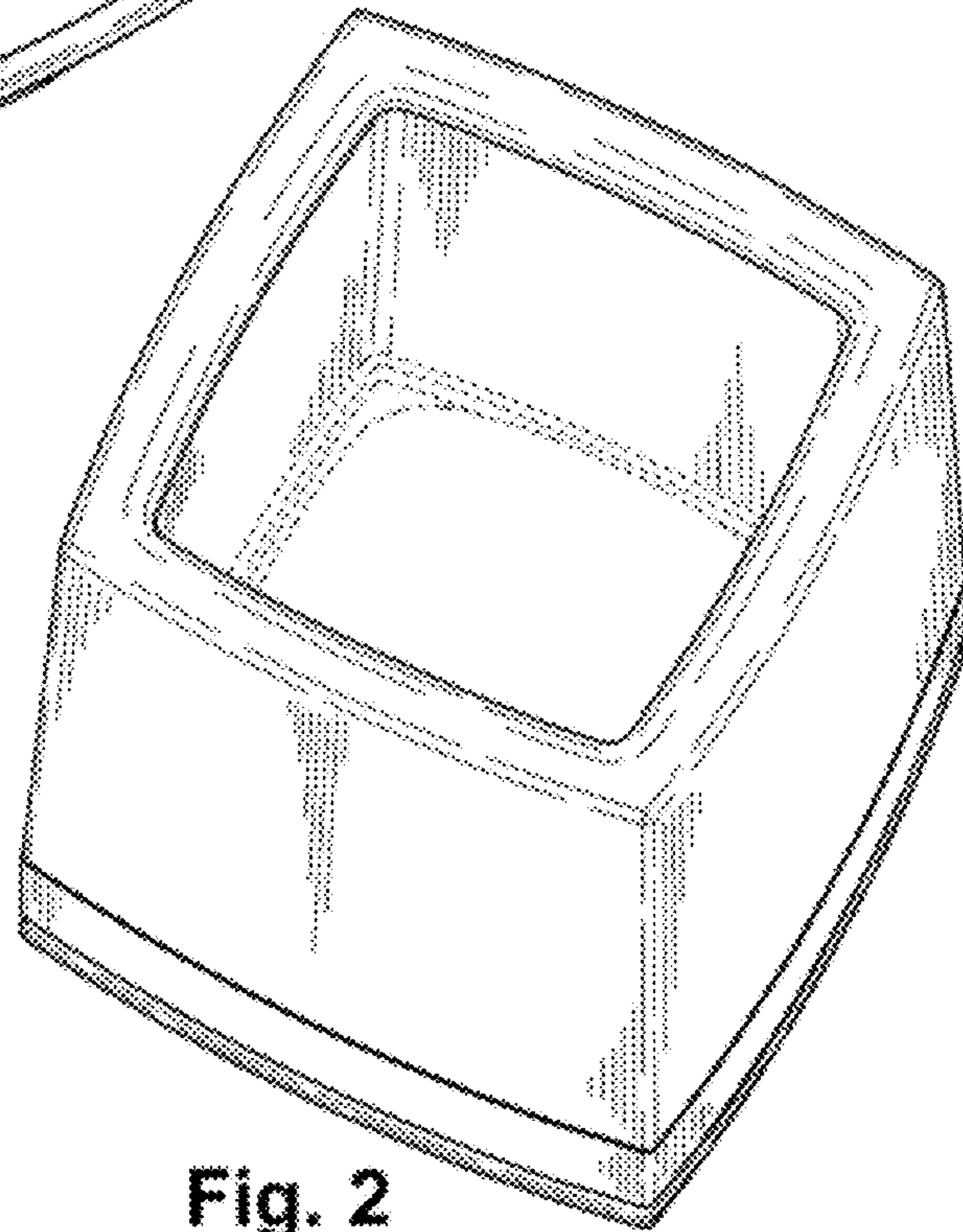


Fig. 2

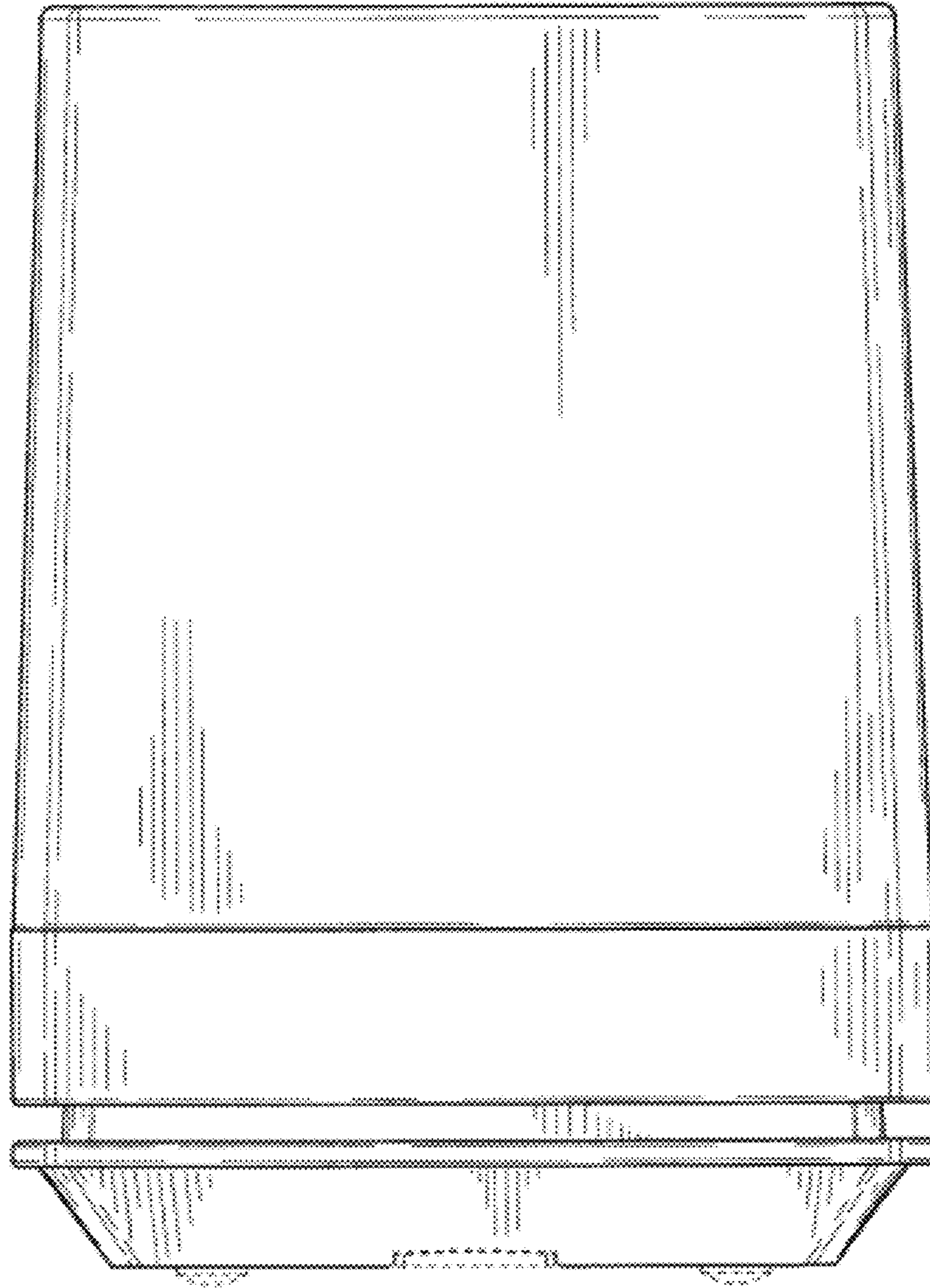


Fig. 3

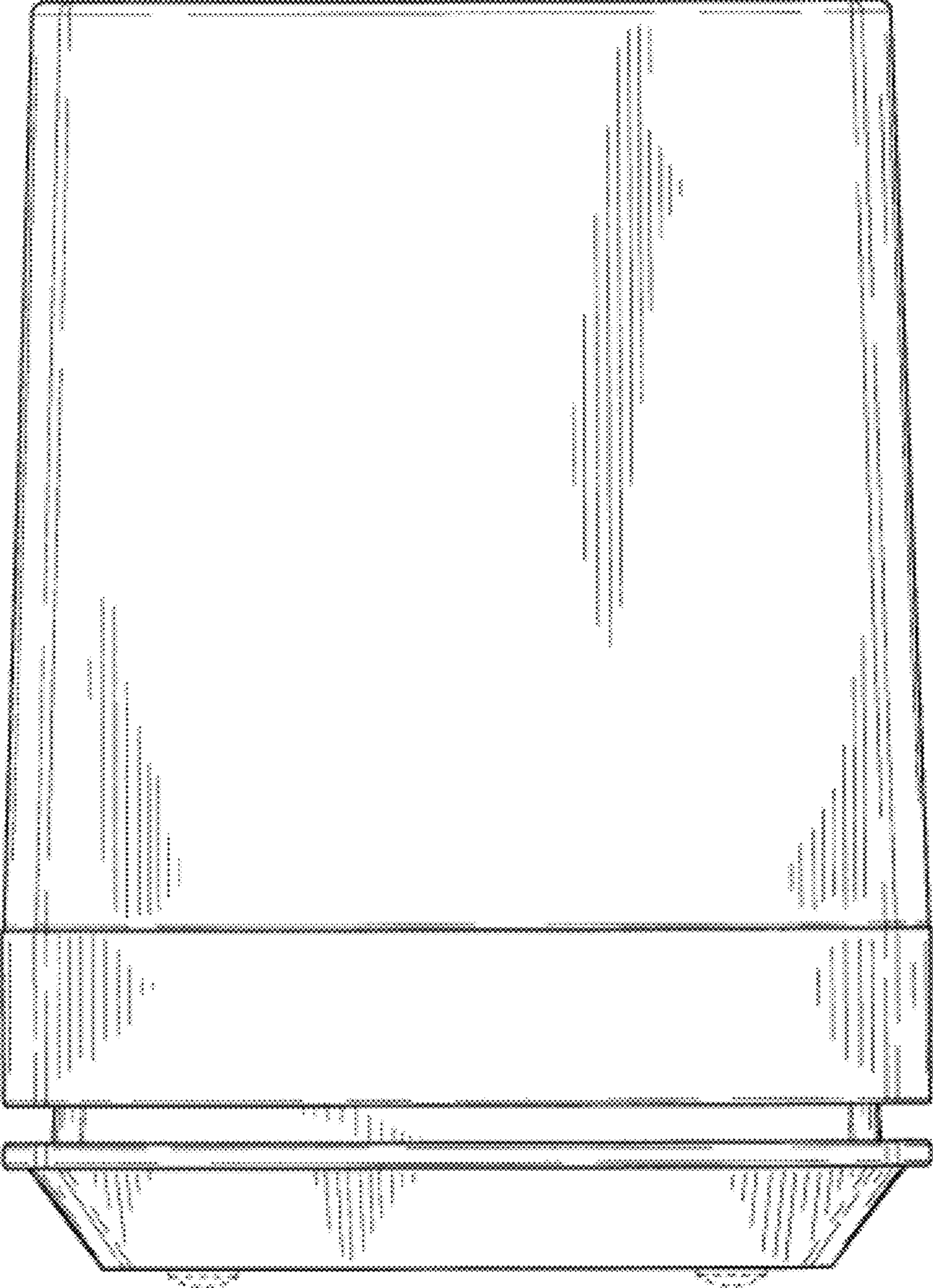


Fig. 4

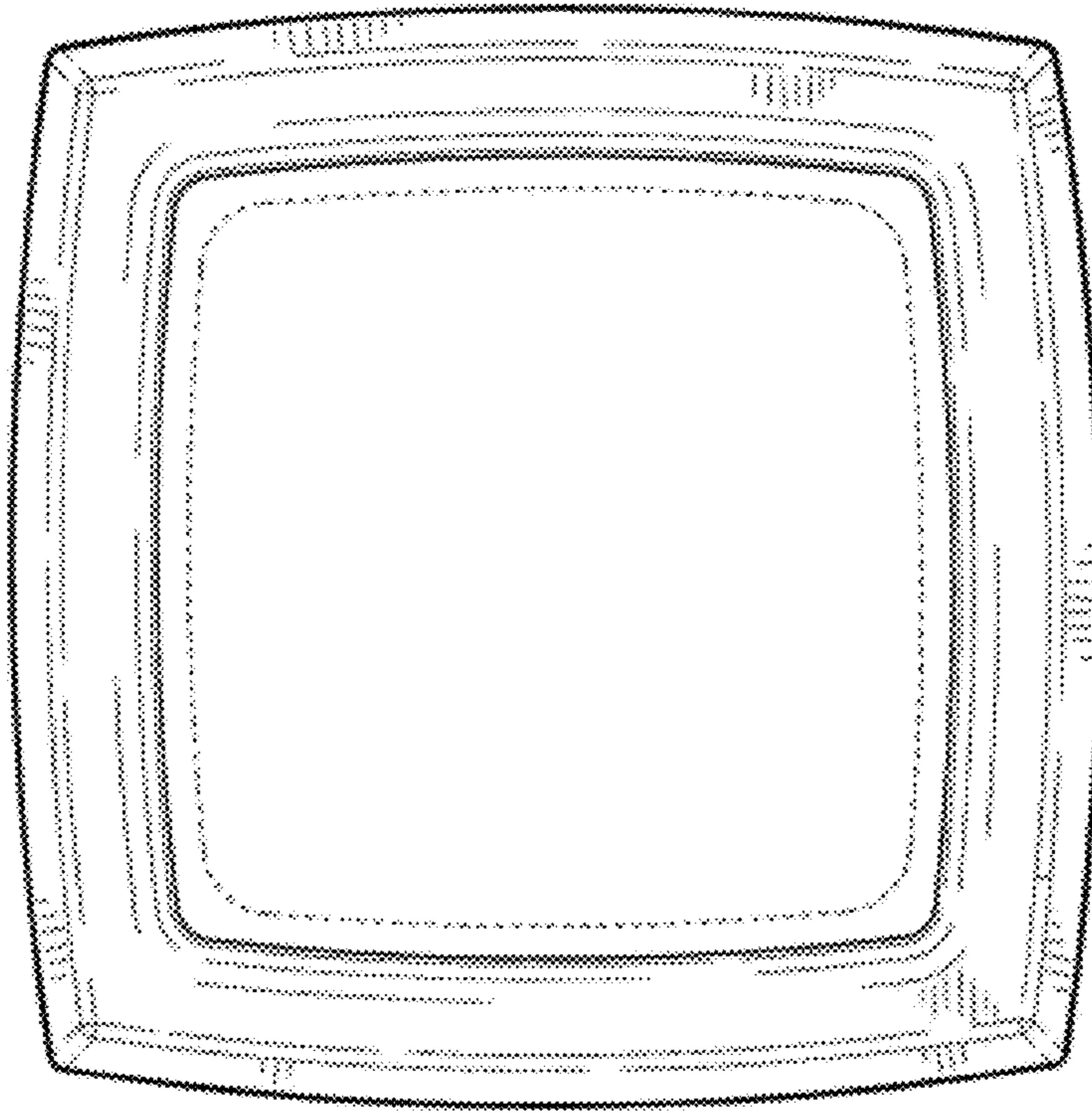


Fig. 5

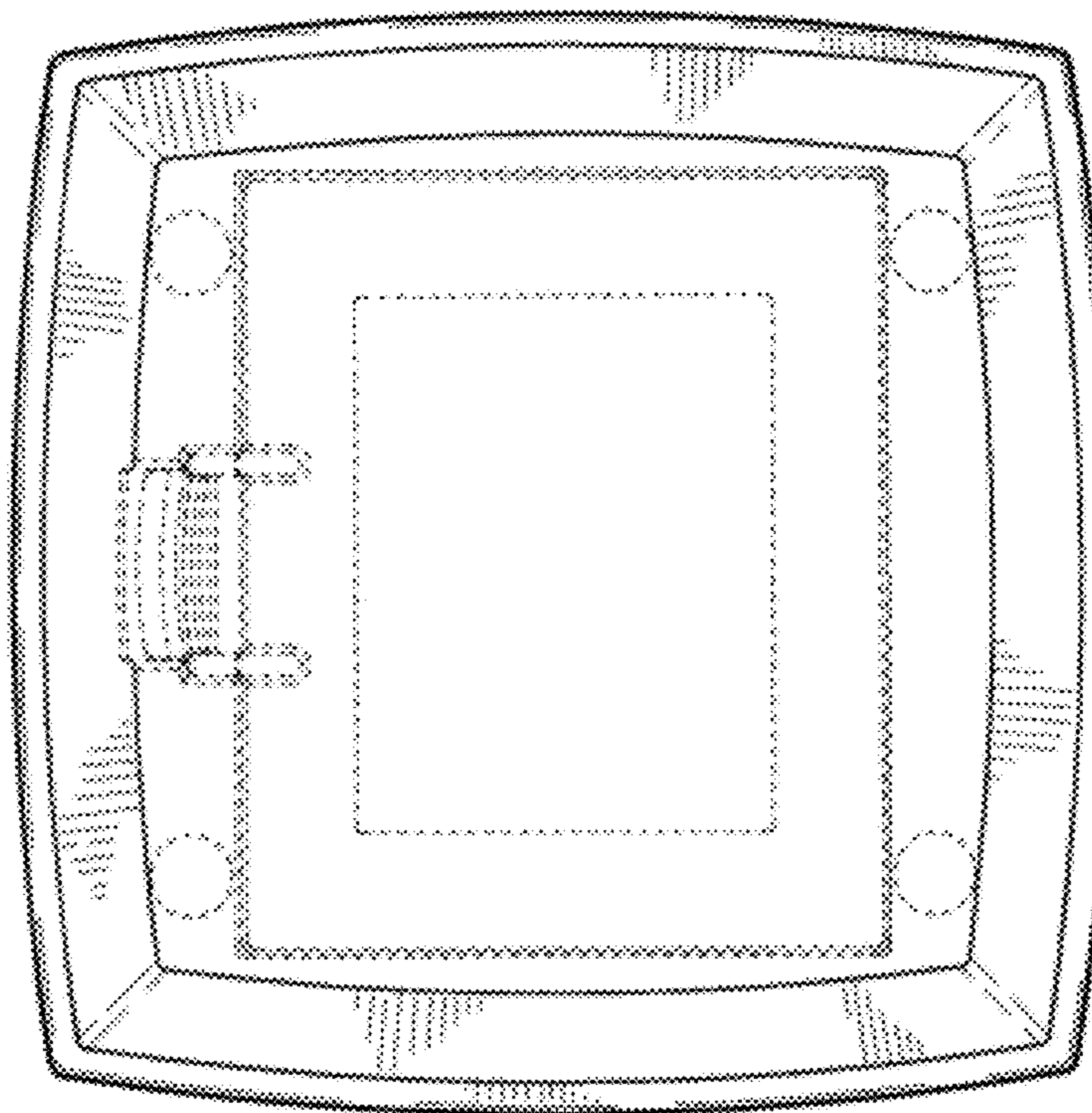


Fig. 6

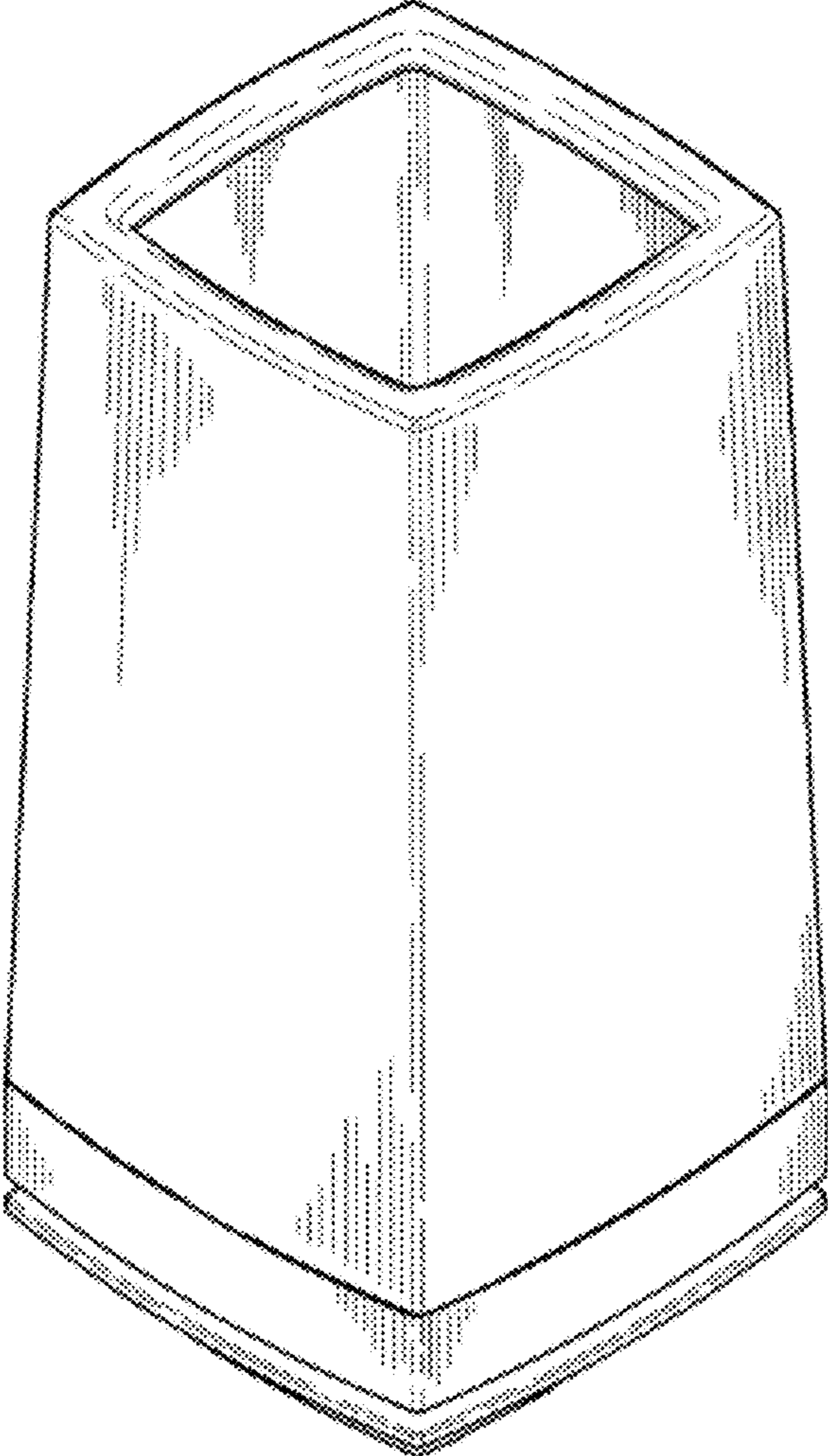


Fig. 7

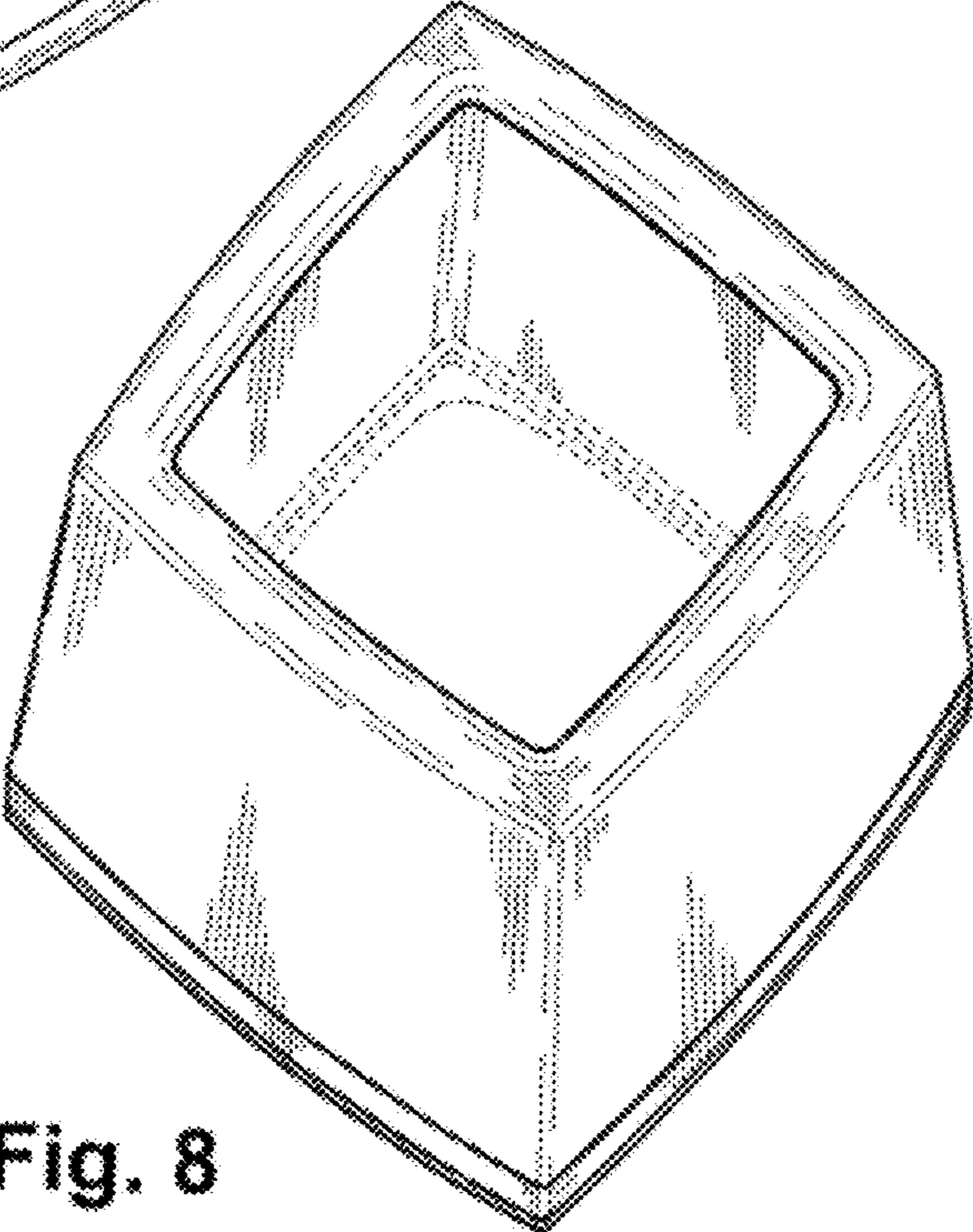


Fig. 8

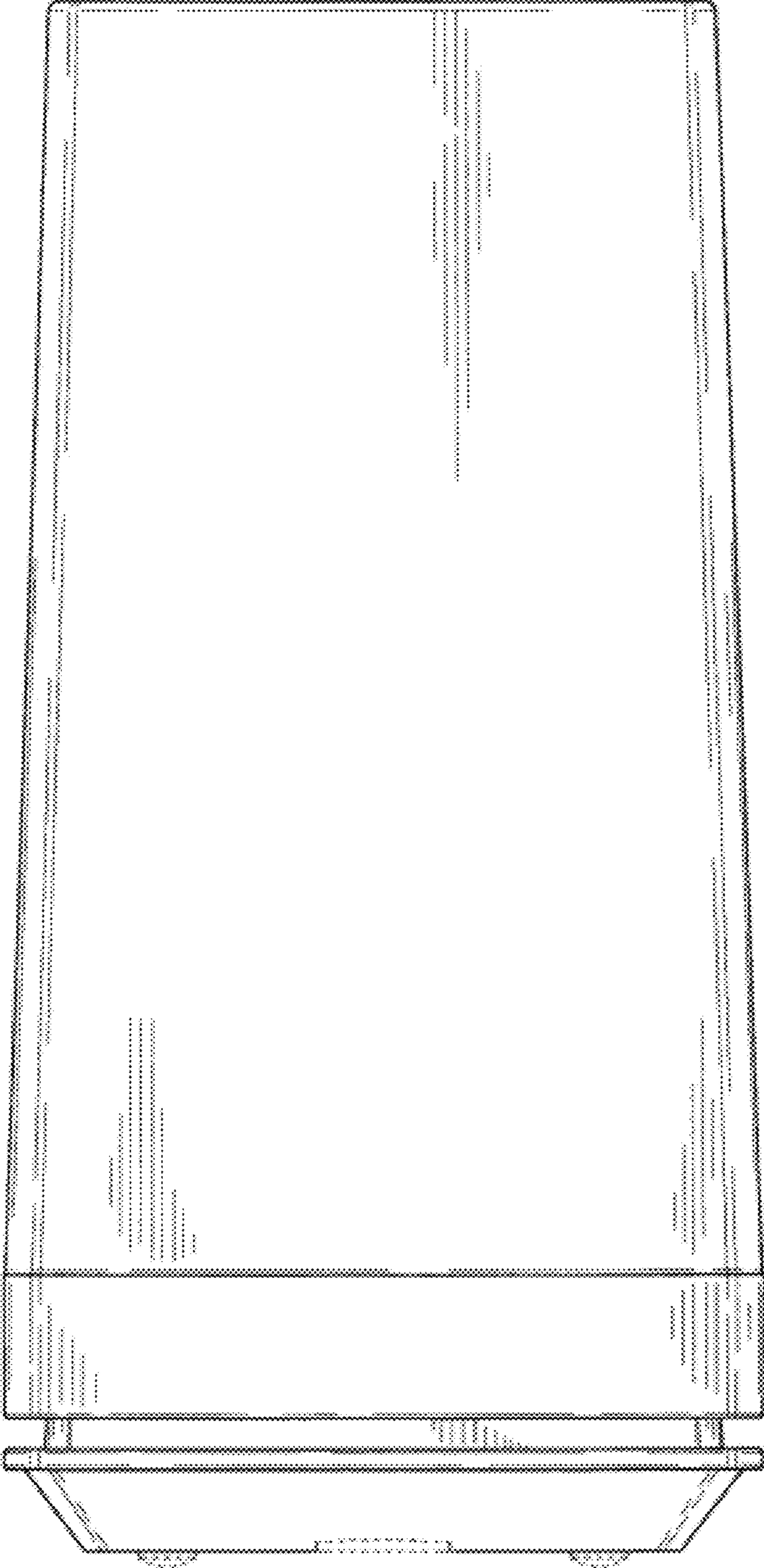


Fig. 9

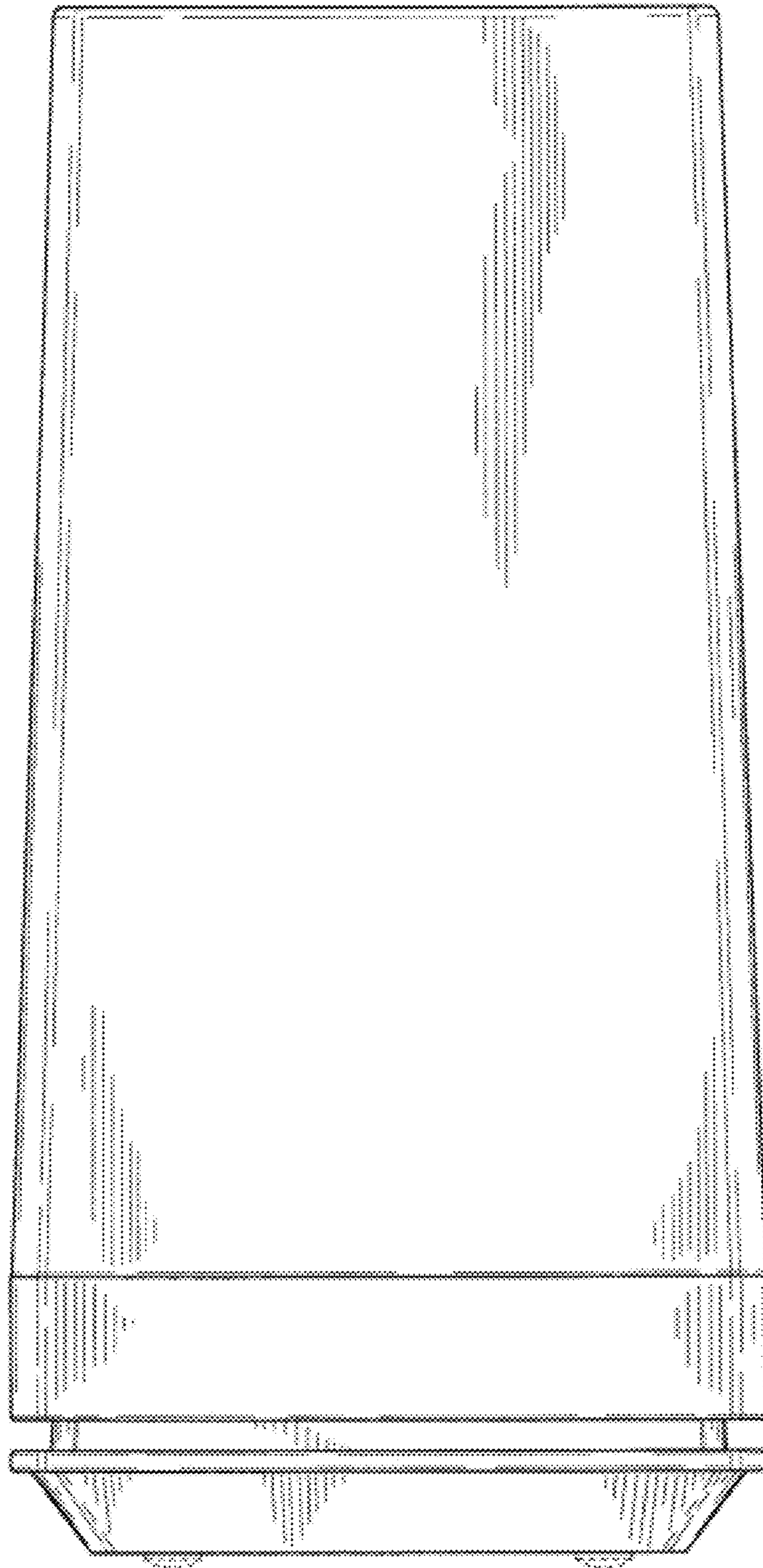


Fig. 10

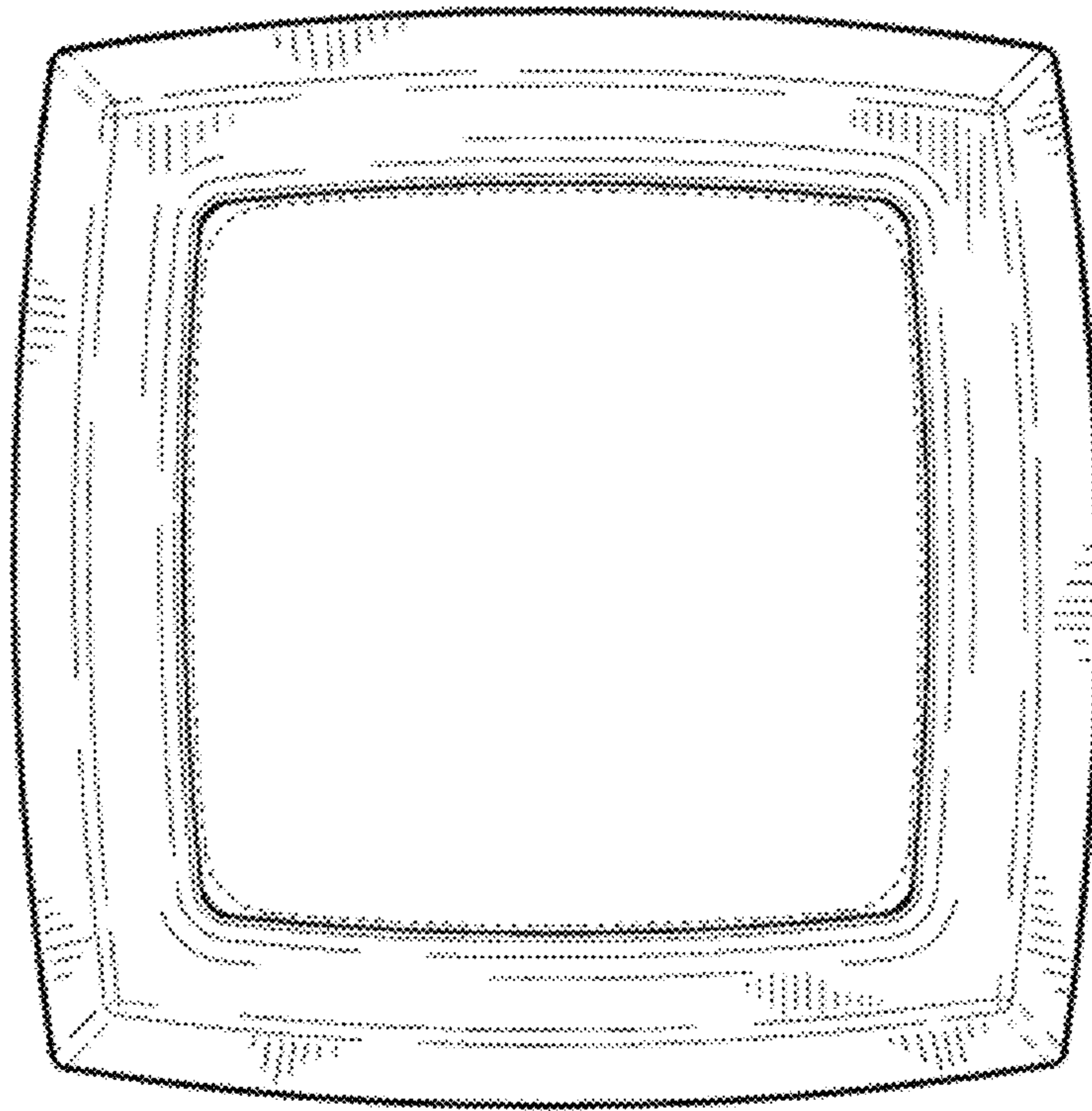


Fig. 11

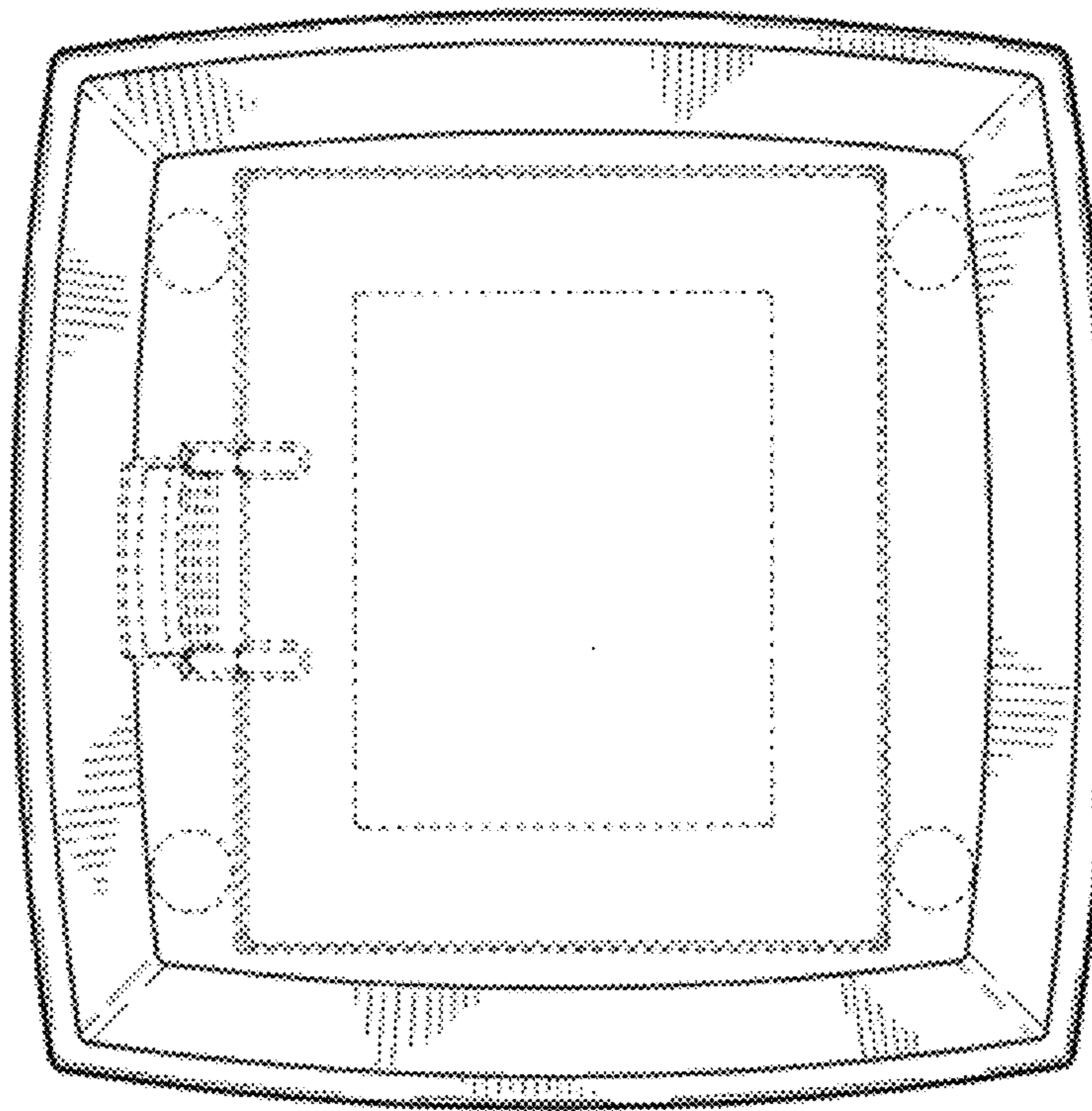


Fig. 12