

US00D661008S

(12) **United States Design Patent**
Yuan

(10) **Patent No.:** **US D661,008 S**

(45) **Date of Patent:** **** May 29, 2012**

(54) **LUMINAIRE**

(75) Inventor: **Haiping Yuan**, Guangdong (CN)

(73) Assignee: **OSRAM AG**, Munich (DE)

(**) Term: **14 Years**

(21) Appl. No.: **29/389,024**

(22) Filed: **Apr. 6, 2011**

(30) **Foreign Application Priority Data**

Oct. 7, 2010 (EM) 001764929

(51) **LOC (9) Cl.** **26-05**

(52) **U.S. Cl.** **D26/74**

(58) **Field of Classification Search** D26/74,

D26/72, 113, 118, 133, 134, 136, 24, 59,
D26/63, 75, 76, 77, 78, 79, 80, 81, 82, 83,
D26/84, 85, 138; 362/126, 145, 146, 147,
362/148, 150, 151, 152, 153, 153.1, 218,
362/217.05, 217.06, 217.07, 294, 296.01,
362/296.07, 296.08, 311.01, 311.07, 311.09,
362/345, 364, 365, 366, 373; D23/379

See application file for complete search history.

(56) **References Cited**

U.S. PATENT DOCUMENTS

D533,958	S	*	12/2006	Herst et al.	D26/121
D551,379	S	*	9/2007	Maxik	D26/74
D558,376	S	*	12/2007	Posey et al.	D26/72
D584,846	S	*	1/2009	Maxik et al.	D26/85
D610,734	S	*	2/2010	Ward et al.	D26/74
D624,686	S	*	9/2010	Toney et al.	D26/72
D632,821	S	*	2/2011	Culbert	D26/74
D633,230	S	*	2/2011	Chen	D26/24
D633,632	S	*	3/2011	Culbert et al.	D26/24
D644,370	S	*	8/2011	Lickiss	D26/85
D645,984	S	*	9/2011	Wang	D26/1
D646,827	S	*	10/2011	Van Gompel	D26/74
D648,479	S	*	11/2011	Herman	D26/118

* cited by examiner

Primary Examiner — Angela J Lee

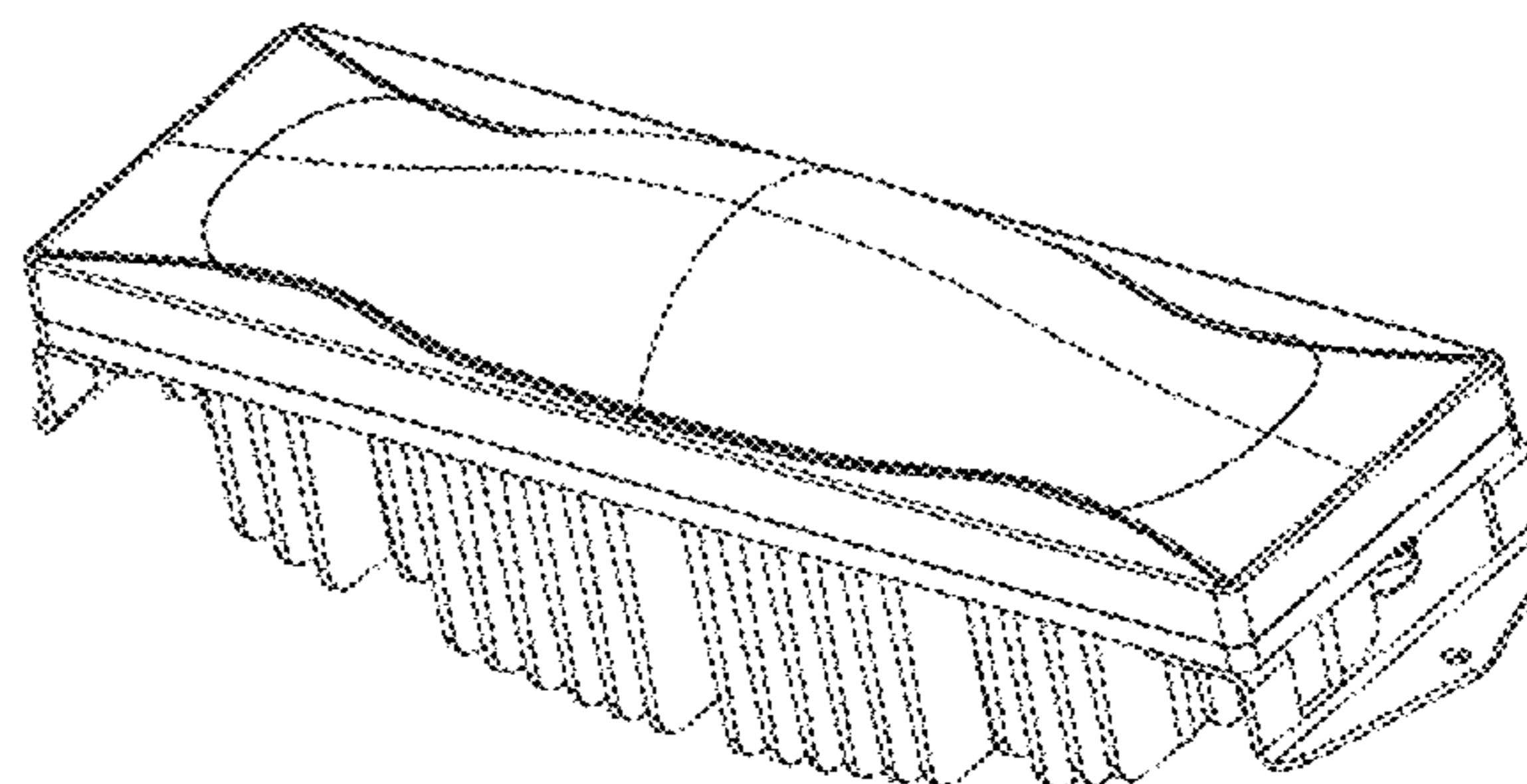
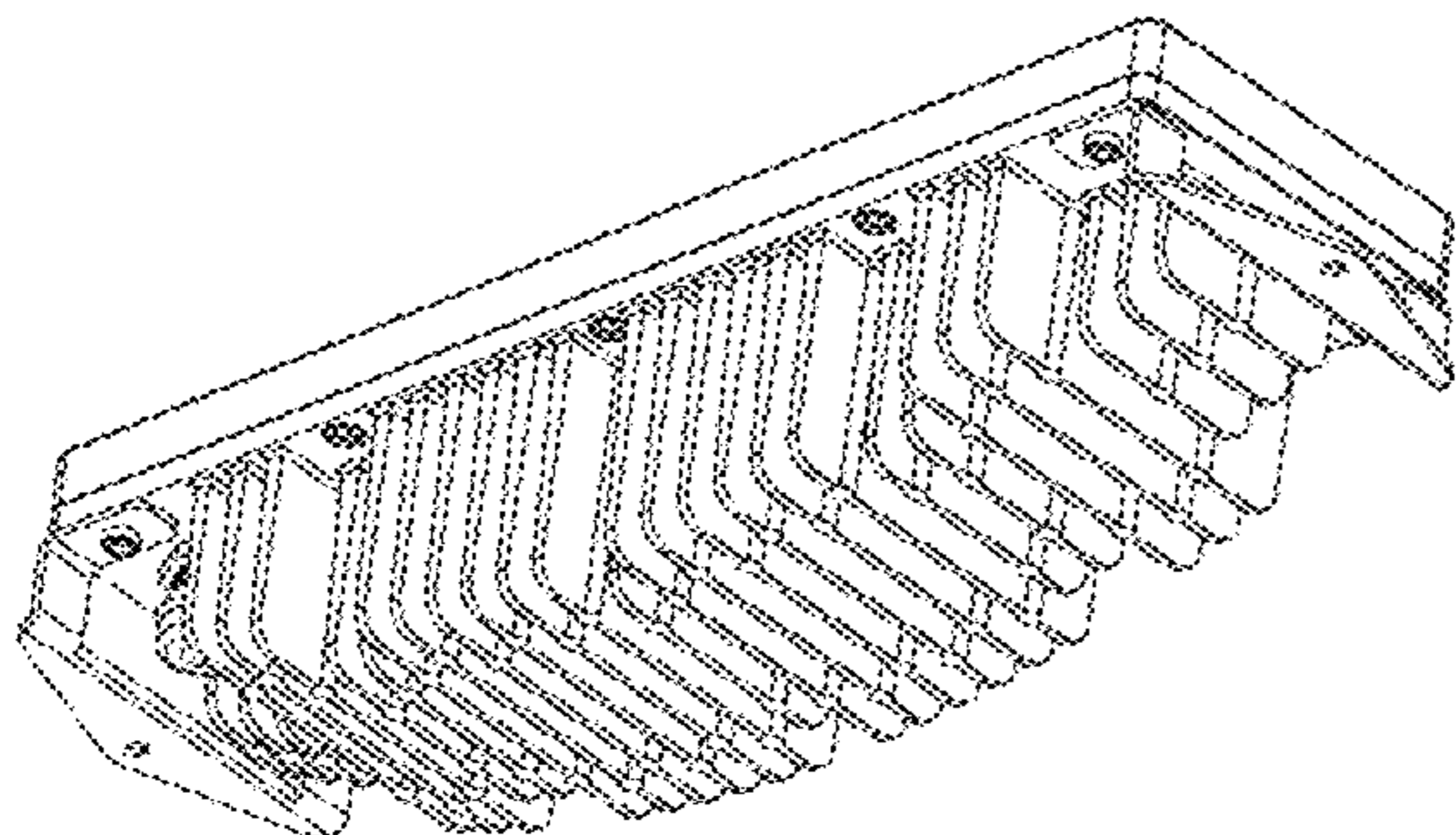
(57) **CLAIM**

The ornamental design for a luminaire, as shown and described.

DESCRIPTION

FIG. 1 is a perspective front bottom view of the luminaire.
FIG. 2 is a perspective front top view of the luminaire.
FIG. 3 is a front view of the luminaire.
FIG. 4 is a right side view of the luminaire.
FIG. 5 is a left side view of the luminaire.
FIG. 6 is a top view of the luminaire; and,
FIG. 7 is a bottom view of the luminaire.

1 Claim, 7 Drawing Sheets



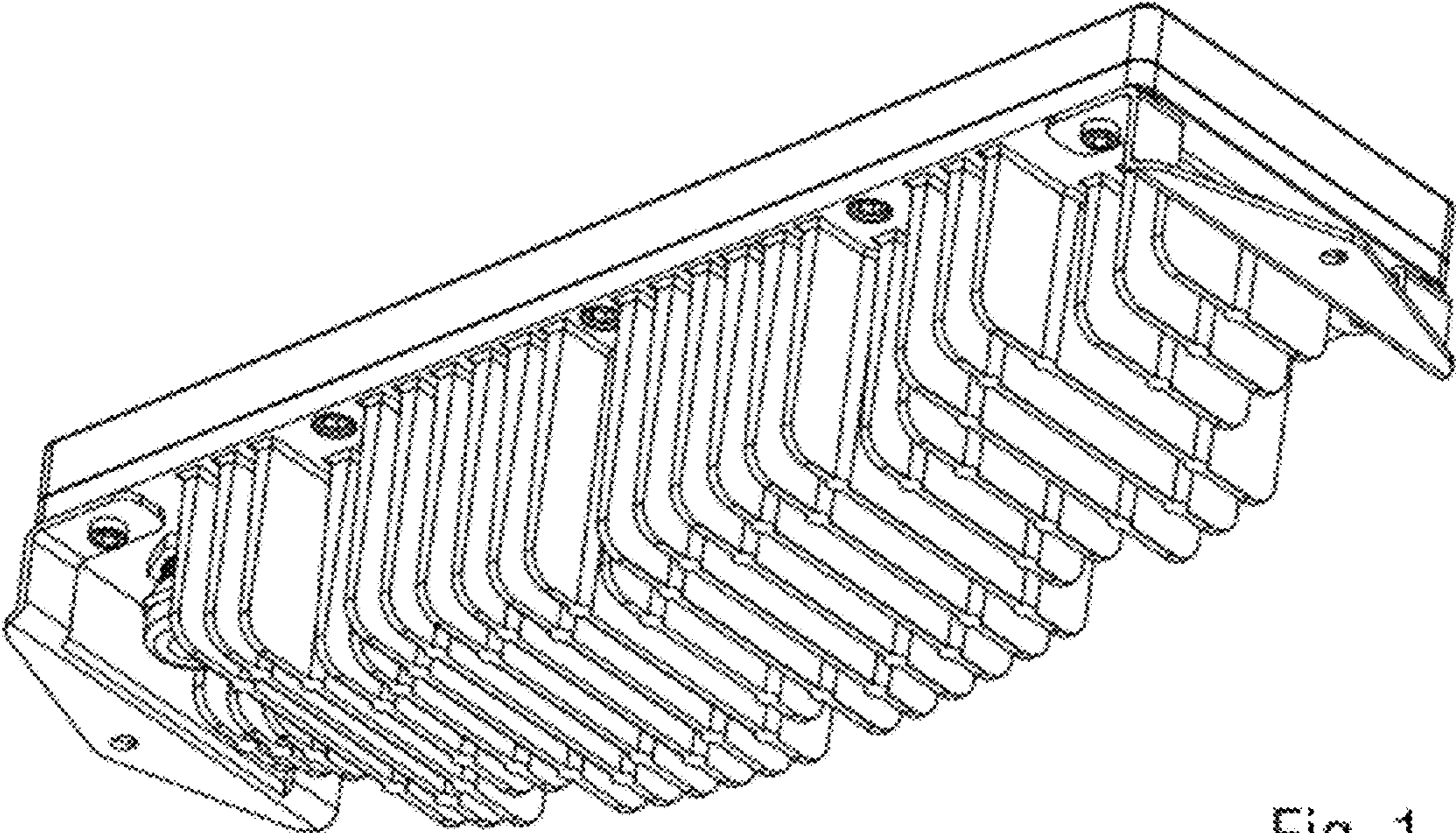


Fig. 1

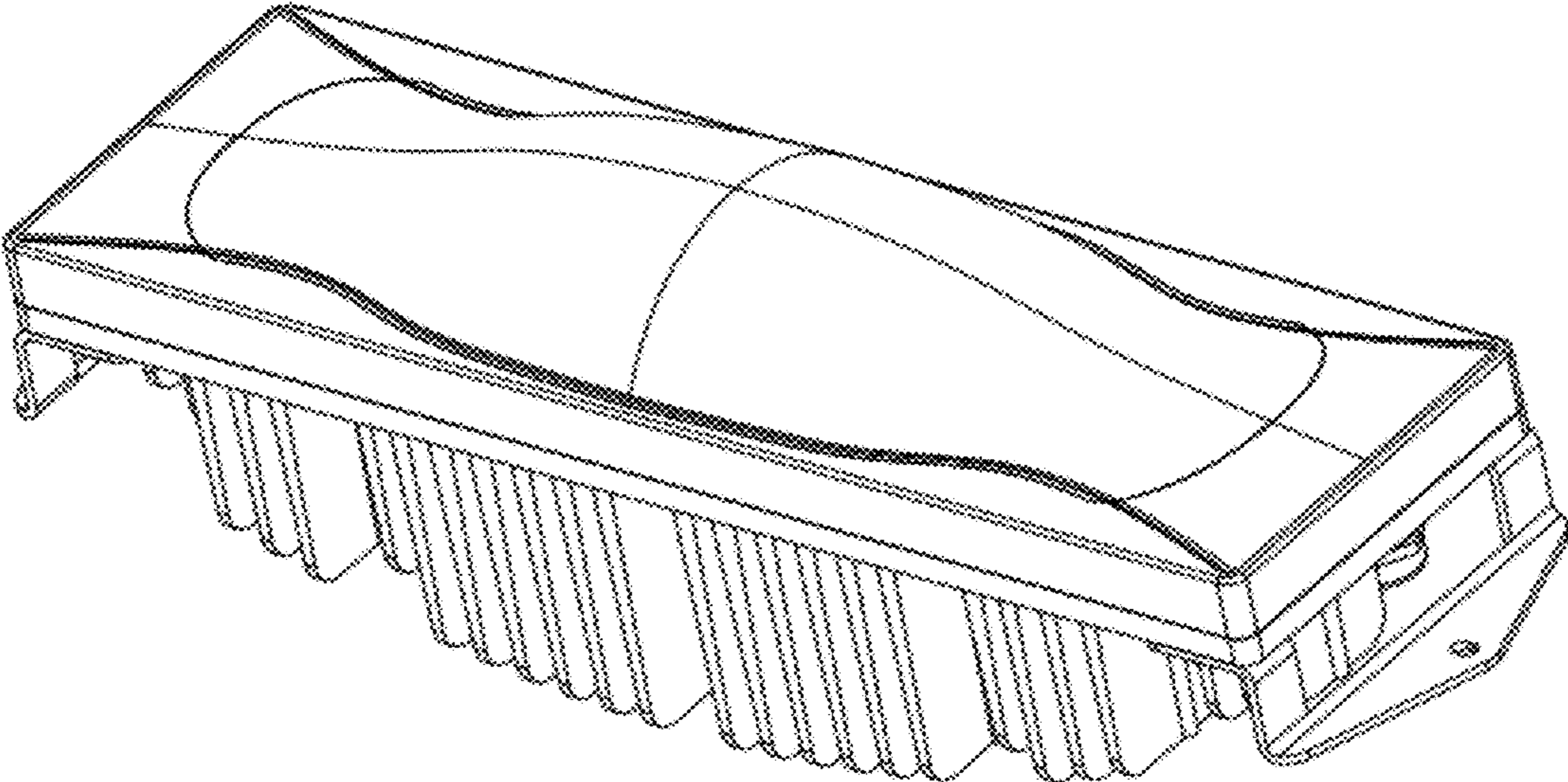


Fig. 2

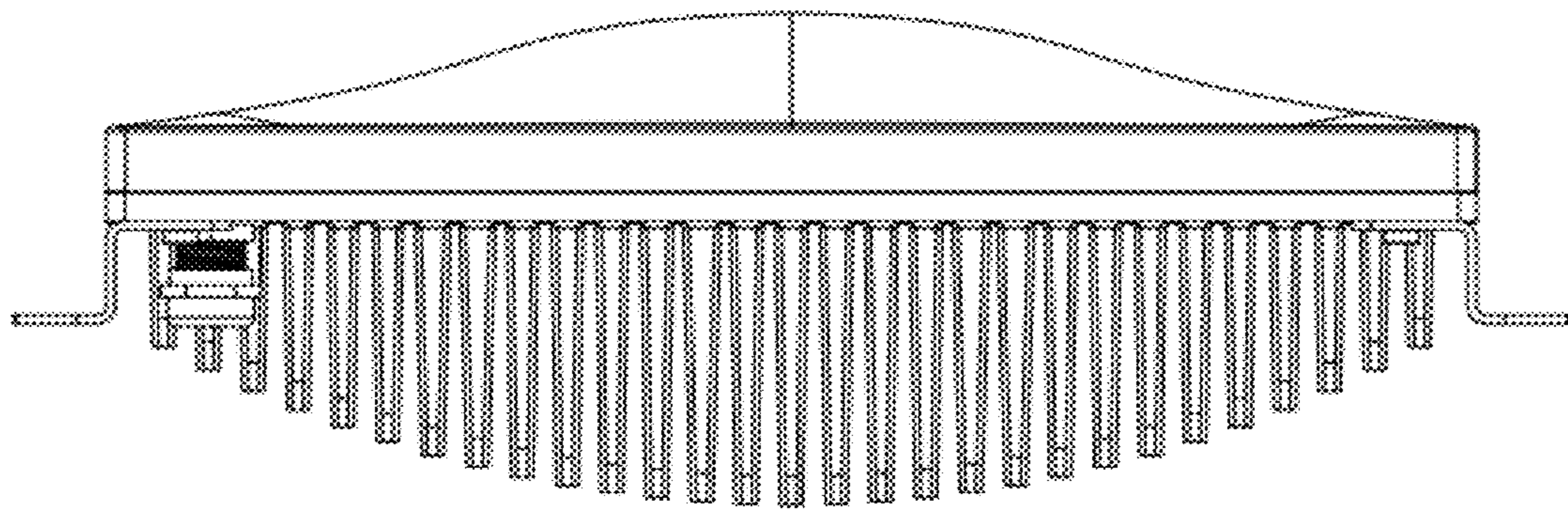


Fig. 3

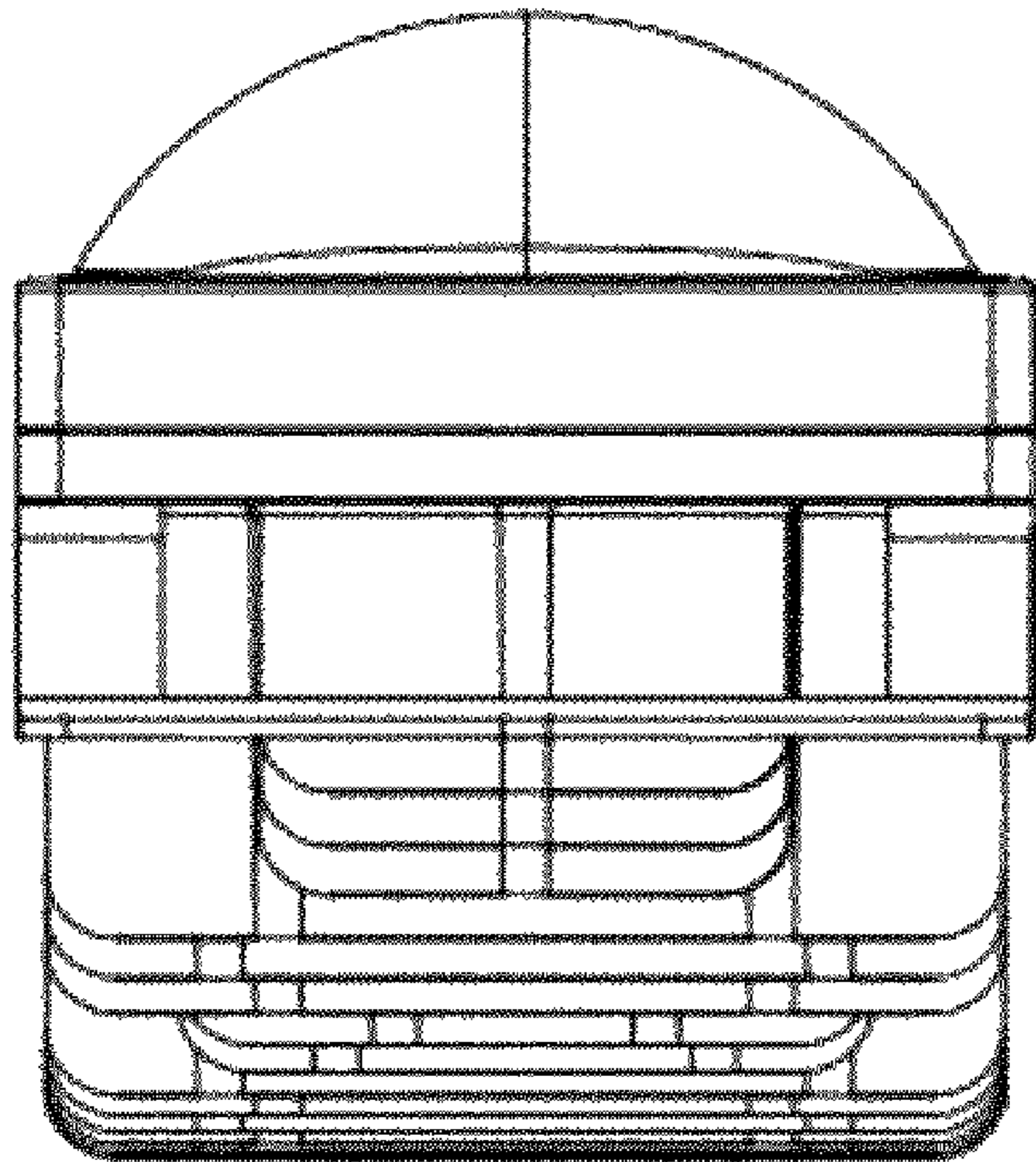


Fig. 4

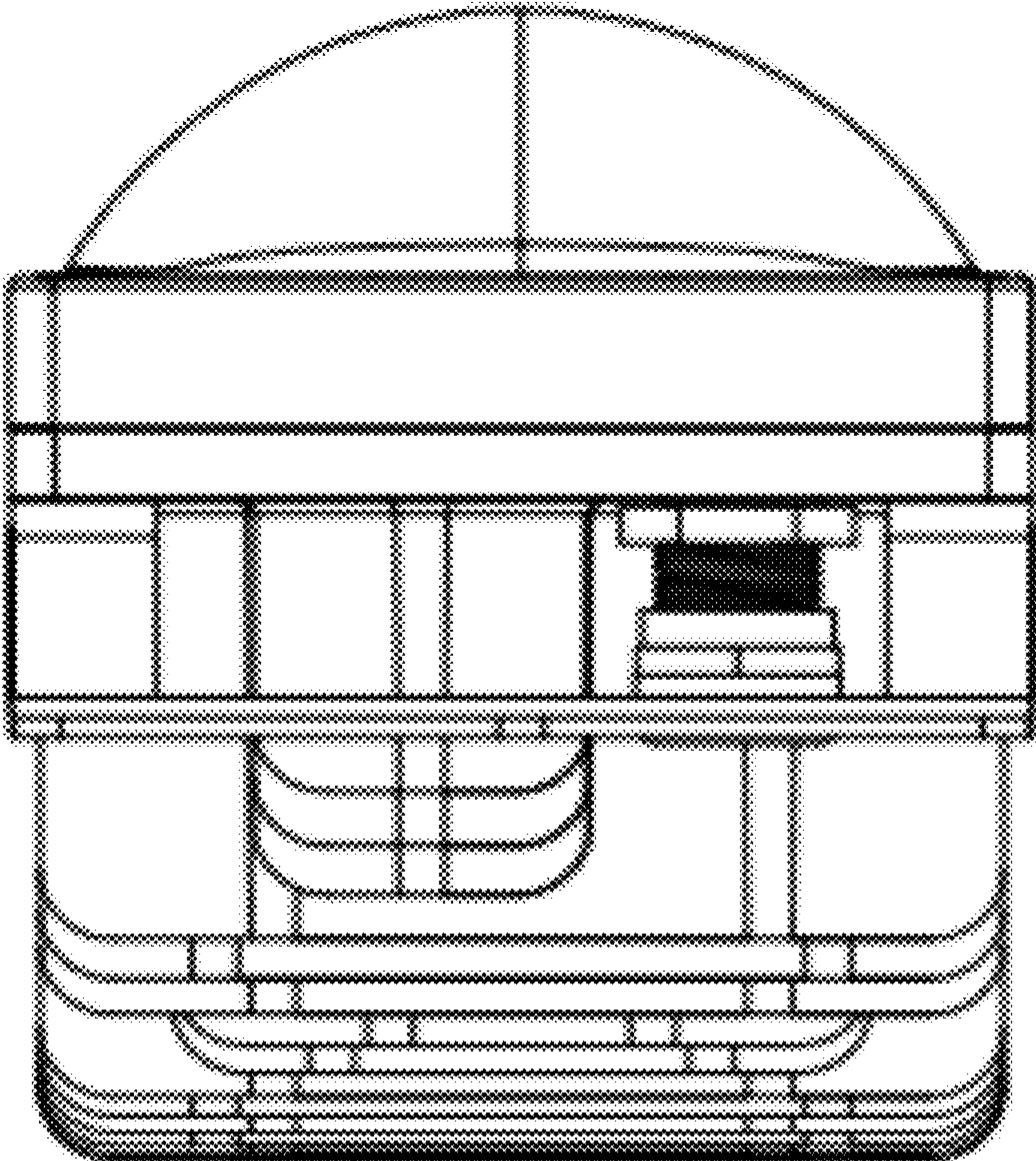


Fig. 5

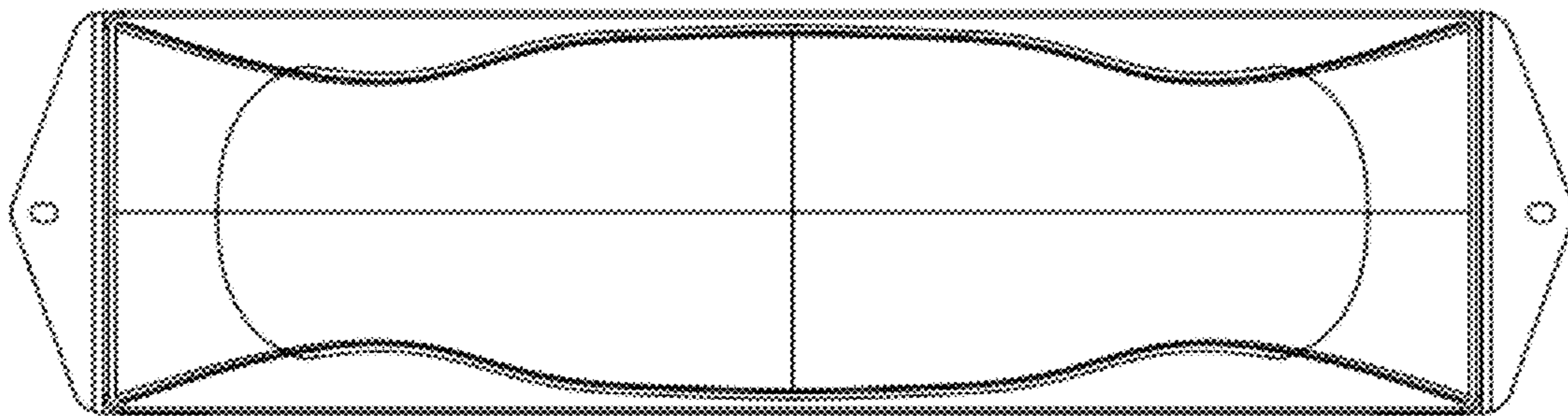


Fig. 6

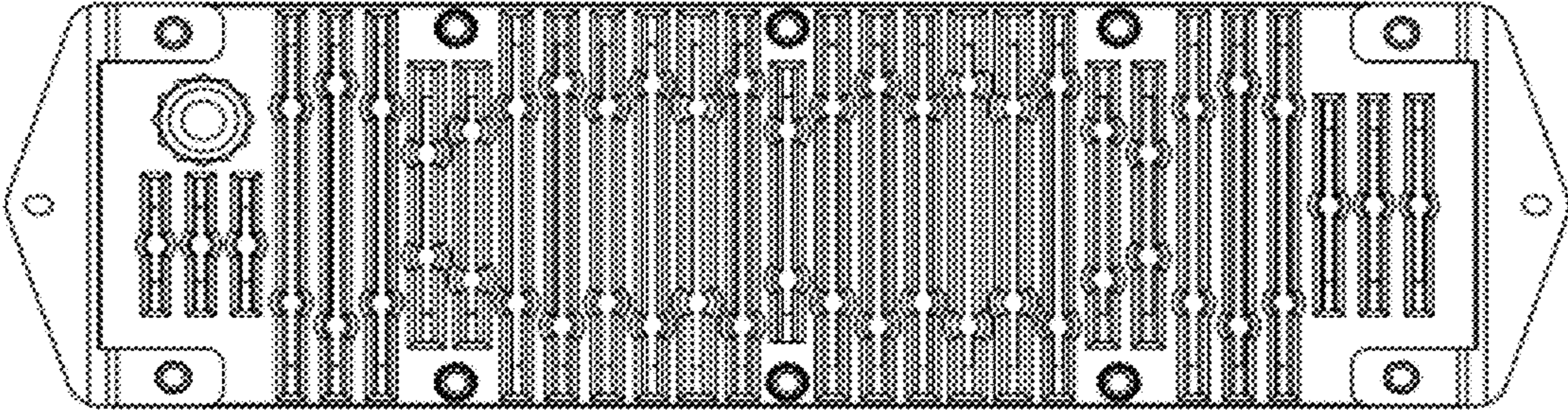


Fig. 7