

US00D661007S

(12) **United States Design Patent**  
**Sabernig**

(10) **Patent No.:** **US D661,007 S**

(45) **Date of Patent:** **\*\* May 29, 2012**

(54) **LIGHT FIXTURE**

(75) Inventor: **Robert Sabernig**, Munster (AT)

(73) Assignee: **EGLO Leuchten GmbH**, Innsbruck (AT)

(\*\*) Term: **14 Years**

(21) Appl. No.: **29/392,109**

(22) Filed: **May 17, 2011**

(51) **LOC (9) Cl.** ..... **26-05**

(52) **U.S. Cl.** ..... **D26/63**

(58) **Field of Classification Search** ..... D26/60-66,  
D26/72, 80-92, 118; 362/145, 147, 211,  
362/213, 217.01, 219, 220, 217.05, 242-248,  
362/249.14, 368, 249.16, 217.02, 217.09,  
362/257, 268, 269, 274, 275, 277, 278, 281-283,  
362/285, 287, 288, 362, 371, 404, 418, 427,  
362/322, 319, 647, 648, 640, 227, 232, 235-241,  
362/249.03, 249.06, 249.07, 249.09, 249.11,  
362/249.1, 430

See application file for complete search history.

(56) **References Cited**

**U.S. PATENT DOCUMENTS**

D541,456 S *	4/2007	Kosche .....	D26/63
D563,579 S *	3/2008	Grimberg .....	D26/61
D566,873 S *	4/2008	Grundl et al. ....	D26/63
D584,446 S *	1/2009	Sabernig .....	D26/88
D585,584 S *	1/2009	Sabernig .....	D26/88
D590,981 S *	4/2009	Sabernig .....	D26/63

D598,594 S *	8/2009	Behar .....	D26/63
D627,498 S *	11/2010	Chipperfield .....	D26/63
D638,569 S *	5/2011	Heyrman .....	D26/90
D645,186 S *	9/2011	Sabernig .....	D26/63
D645,187 S *	9/2011	Sabernig .....	D26/65
D645,597 S *	9/2011	Sabernig .....	D26/65
D646,413 S *	10/2011	Wauters .....	D26/63

\* cited by examiner

*Primary Examiner* — Susan M Lee

*Assistant Examiner* — Linda G. Brooks

(74) *Attorney, Agent, or Firm* — Baker & McKenzie LLP

(57) **CLAIM**

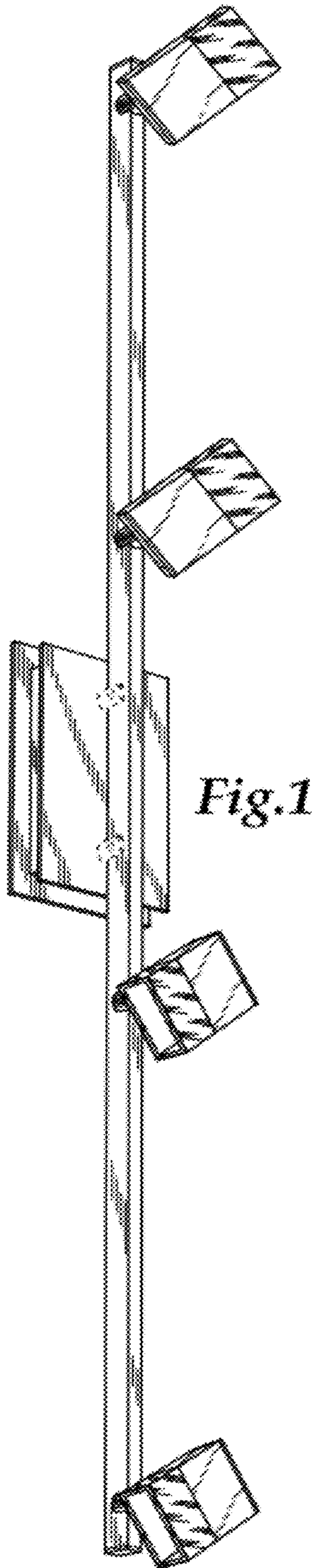
The ornamental design for a light fixture, as shown and described.

**DESCRIPTION**

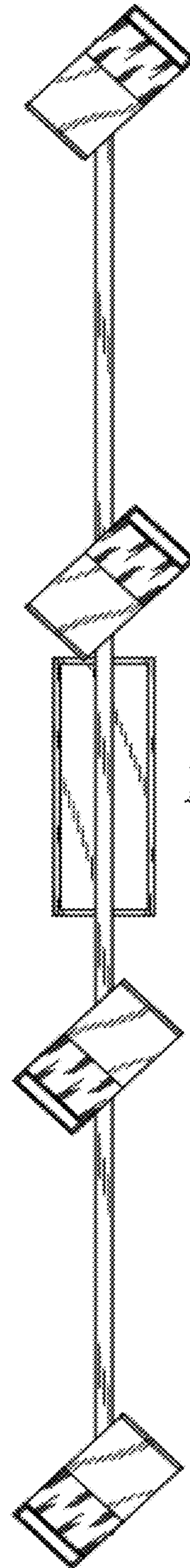
FIG. 1 is a perspective view of a light fixture in accordance with my design, illustrating movable portions; FIG. 2 is a front elevation view of the light fixture in accordance with my design, illustrating movable portions; FIG. 3 is a left-side elevation view of the light fixture in accordance with my design, illustrating movable portions; FIG. 4 is a right-side elevation view of the light fixture in accordance with my design, illustrating movable portions; FIG. 5 is a top plan view of the light fixture in accordance with my design, illustrating movable portions; and, FIG. 6 is a bottom plan view of the light fixture in accordance with my design, illustrating movable portions. The broken lines represent unclaimed portions of the light fixture.

**1 Claim, 2 Drawing Sheets**

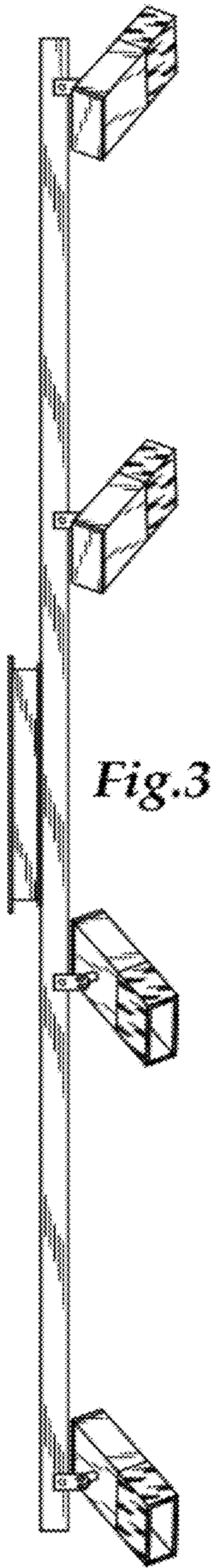




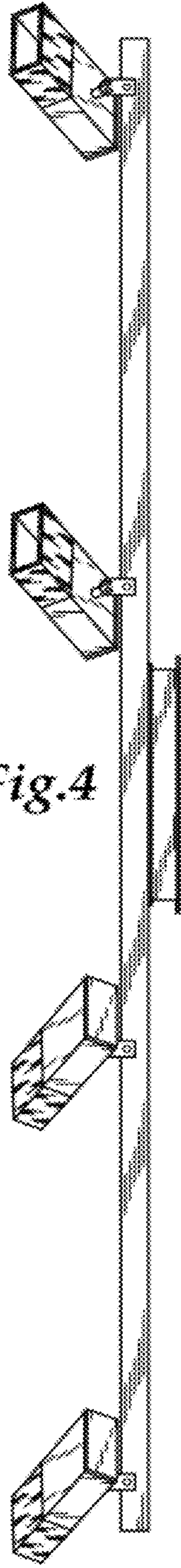
*Fig.1*



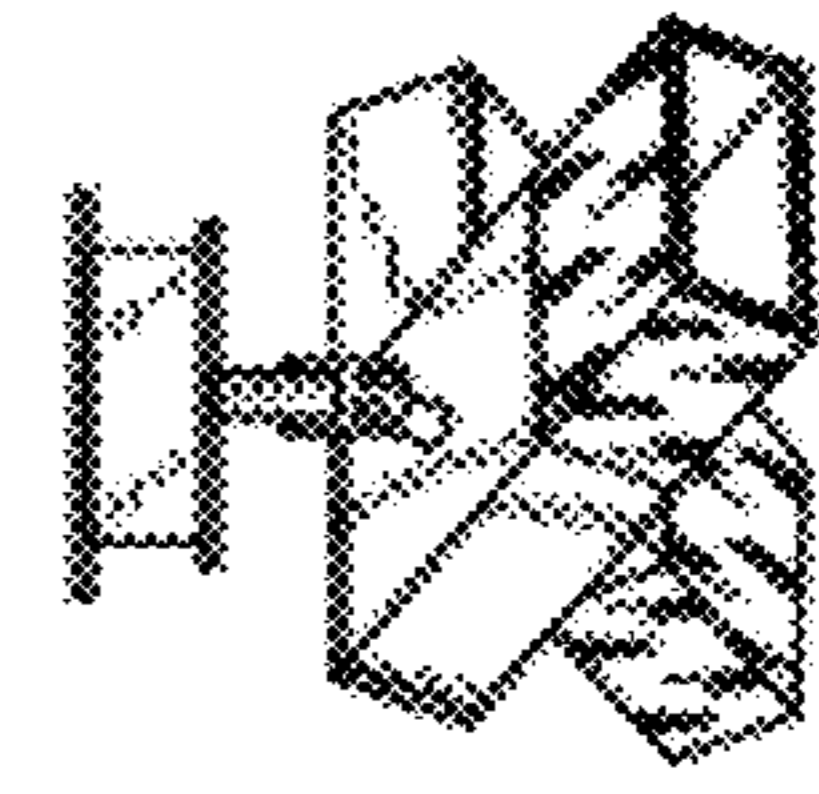
*Fig.2*



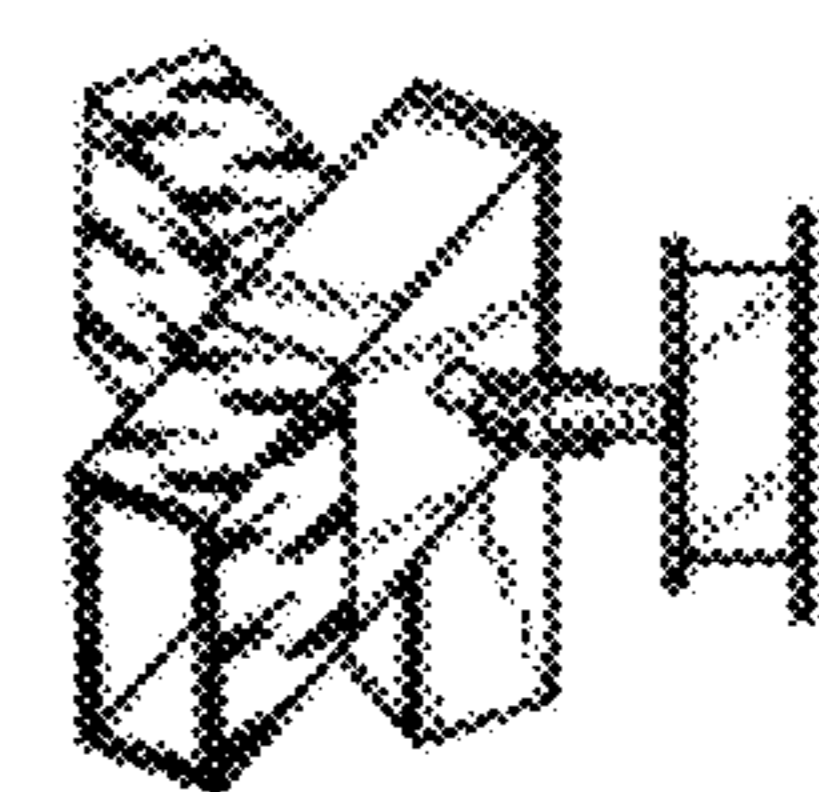
*Fig.3*



*Fig.4*



*Fig.5*



*Fig.6*