

US00D661006S

(12) **United States Design Patent**
Hwang

(10) **Patent No.:** **US D661,006 S**

(45) **Date of Patent:** **** May 29, 2012**

(54) **FLASHLIGHT**

(76) **Inventor:** **Chin-Yu Hwang**, Changhua (TW)

(**) **Term:** **14 Years**

(21) **Appl. No.:** **29/408,176**

(22) **Filed:** **Dec. 8, 2011**

(51) **LOC (9) Cl.** **26-02**

(52) **U.S. Cl.** **D26/49**

(58) **Field of Classification Search** D26/37,
D26/38, 46, 49, 40; 362/157, 158, 184, 194-196,
362/202-208

See application file for complete search history.

(56) **References Cited**

U.S. PATENT DOCUMENTS

2,915,744	A	*	12/1959	Lewis	340/321
D303,846	S	*	10/1989	Parker	D26/46
D306,910	S	*	3/1990	Kung	D26/49
D336,965	S	*	6/1993	Yau	D26/49
D380,846	S	*	7/1997	Kung	D26/49
D436,417	S	*	1/2001	Parker	D26/49
D439,690	S	*	3/2001	Parker	D26/49
6,808,291	B1	*	10/2004	Aylward et al.	362/205

D523,982	S	*	6/2006	Doong	D26/49
D552,001	S	*	10/2007	Fornt	D10/111
D629,940	S	*	12/2010	Osterhout	D26/49

* cited by examiner

Primary Examiner — Ian Simmons

Assistant Examiner — Carissa C Fitts

(74) *Attorney, Agent, or Firm* — Leong C. Lei

(57) **CLAIM**

The ornamental design for a flashlight, as shown and described.

DESCRIPTION

FIG. 1 is a perspective view of a flashlight showing my new design;

FIG. 2 is a left side perspective view thereof;

FIG. 3 is a right side perspective view thereof;

FIG. 4 is a top plan view thereof;

FIG. 5 is a bottom plan view thereof;

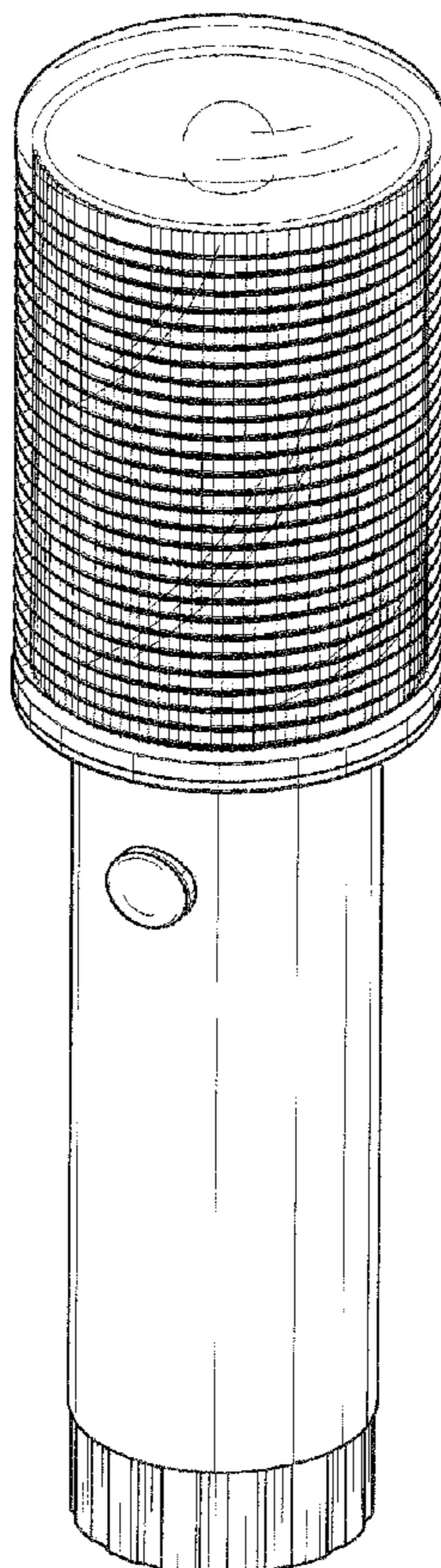
FIG. 6 is a front elevational view thereof;

FIG. 7 is a rear elevational view thereof; and,

FIG. 8 is a perspective view thereof.

The broken line showing of the stand is for environmental purposes only and forms no part of the claimed design.

1 Claim, 5 Drawing Sheets



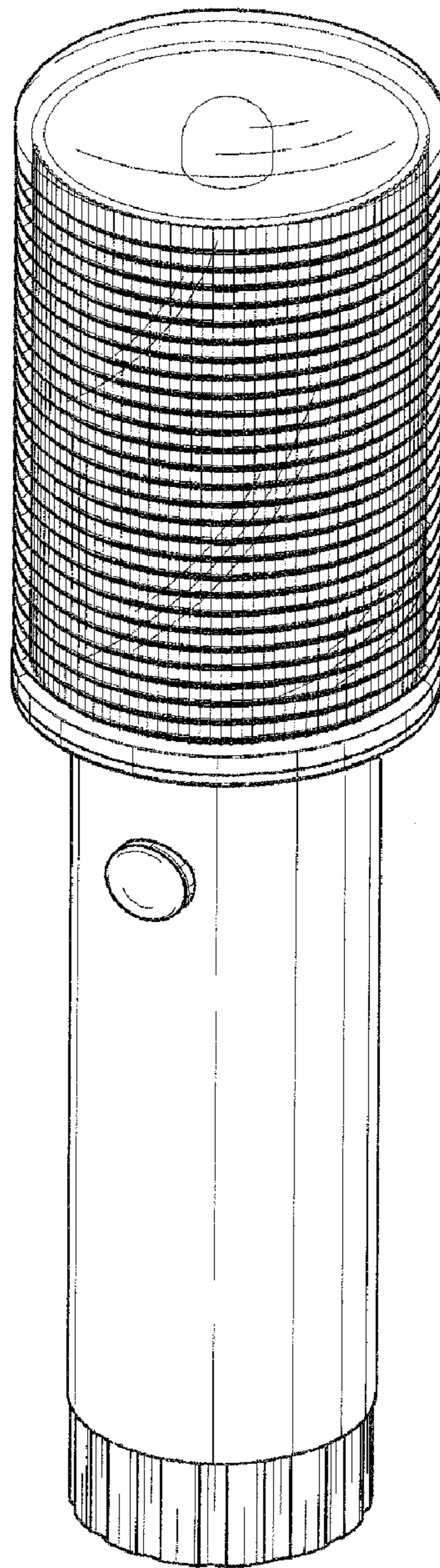


FIG. 1

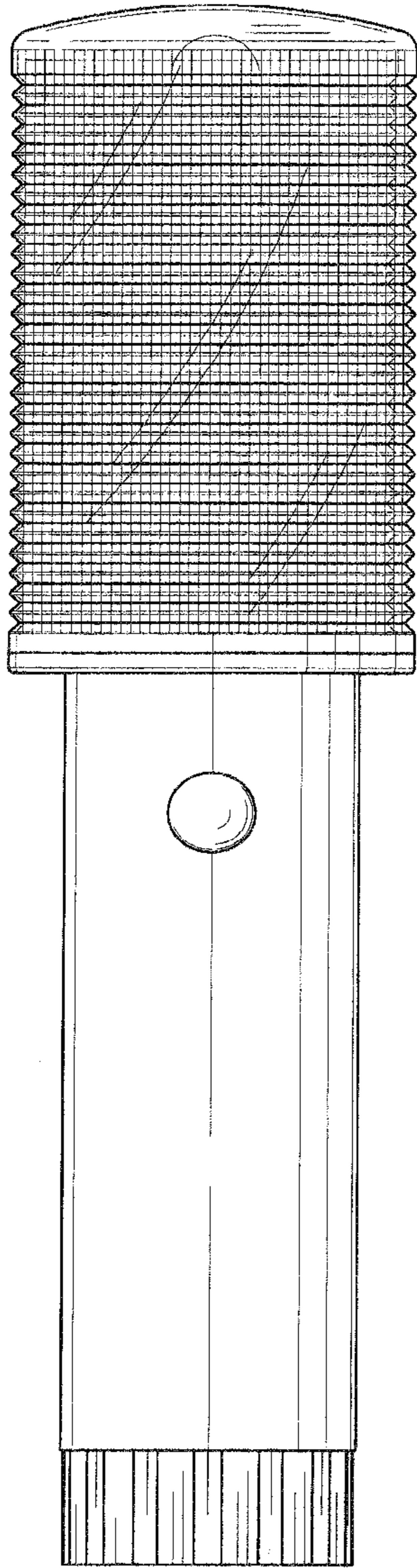


FIG. 2

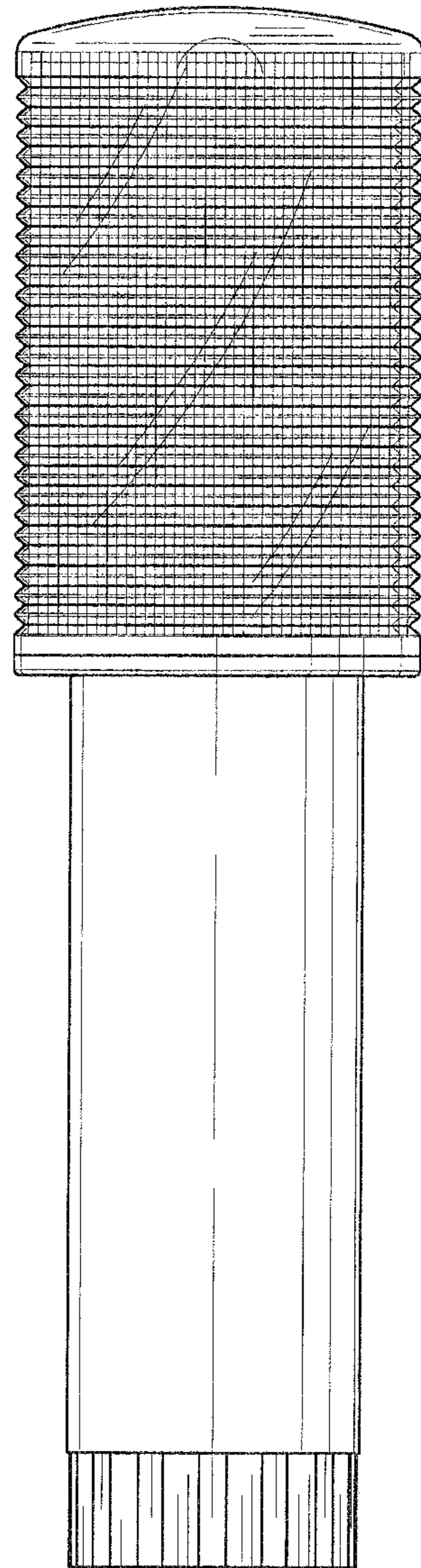


FIG. 3

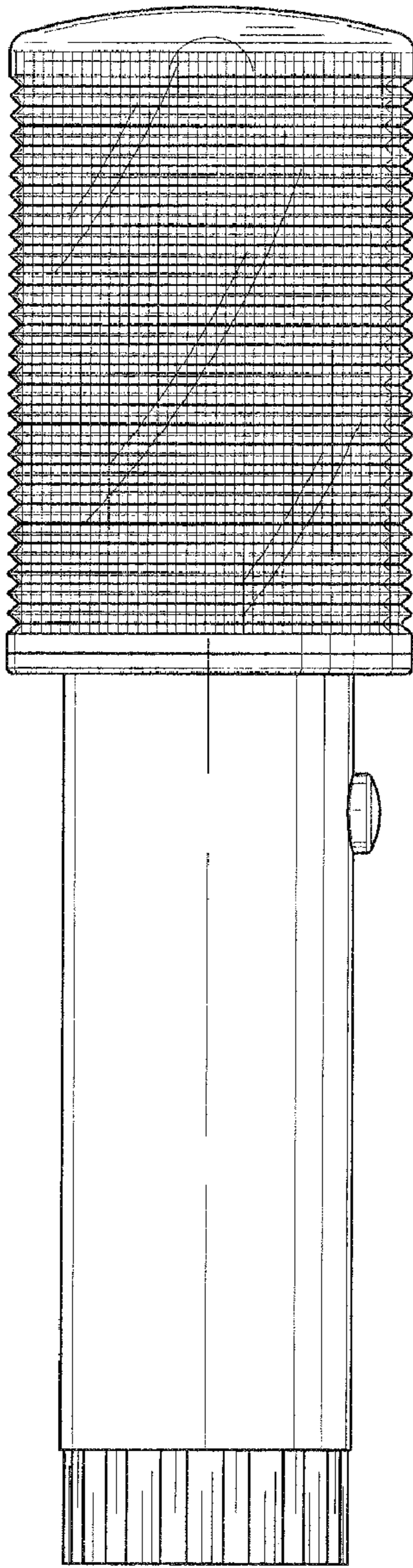


FIG. 4

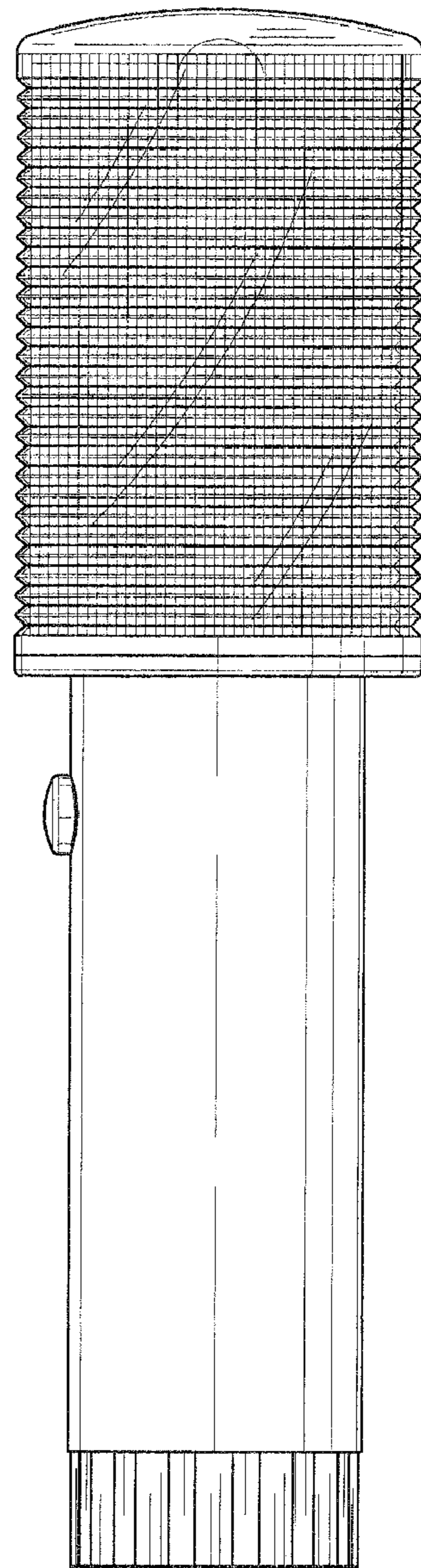


FIG. 5

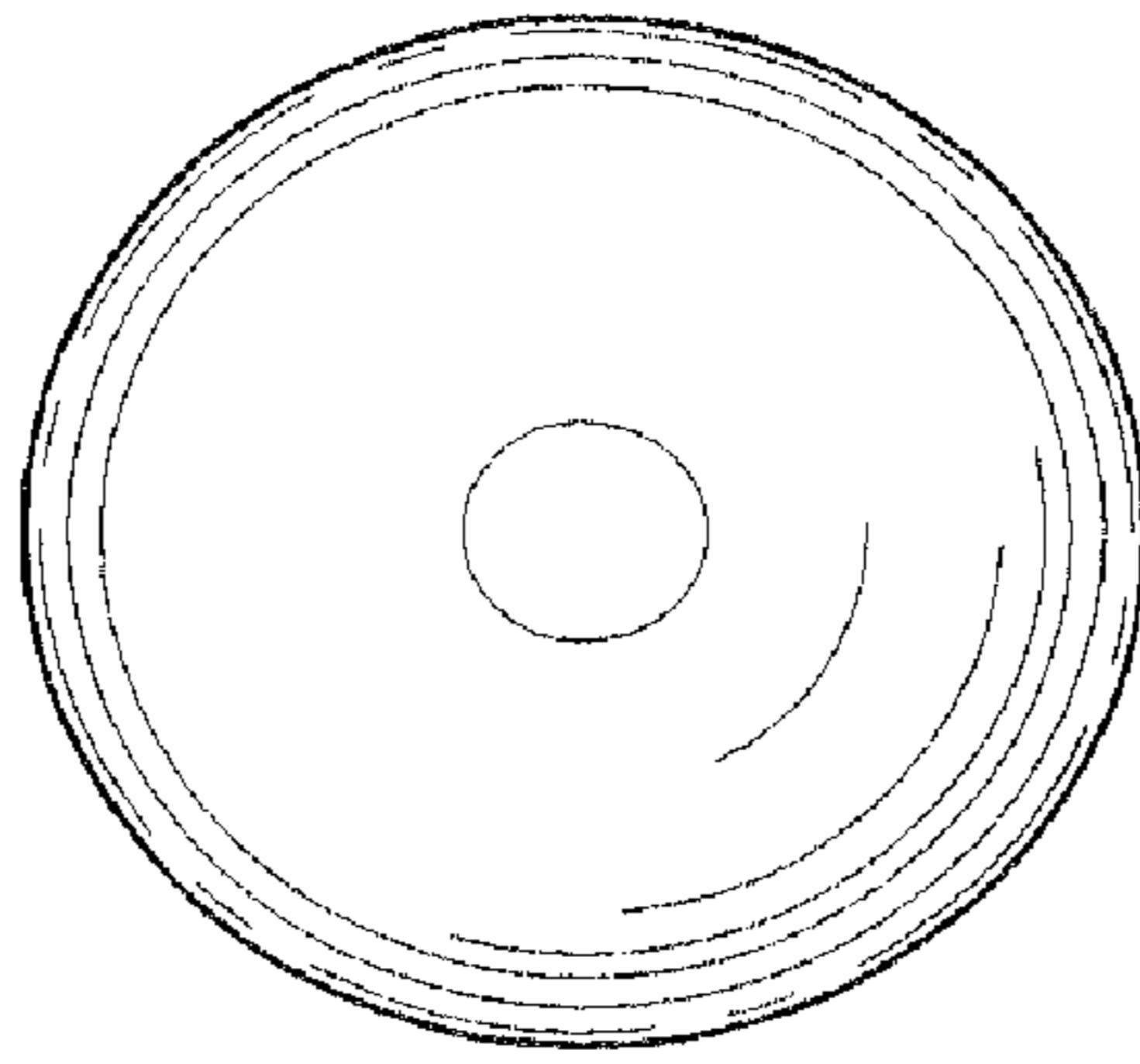


FIG. 6

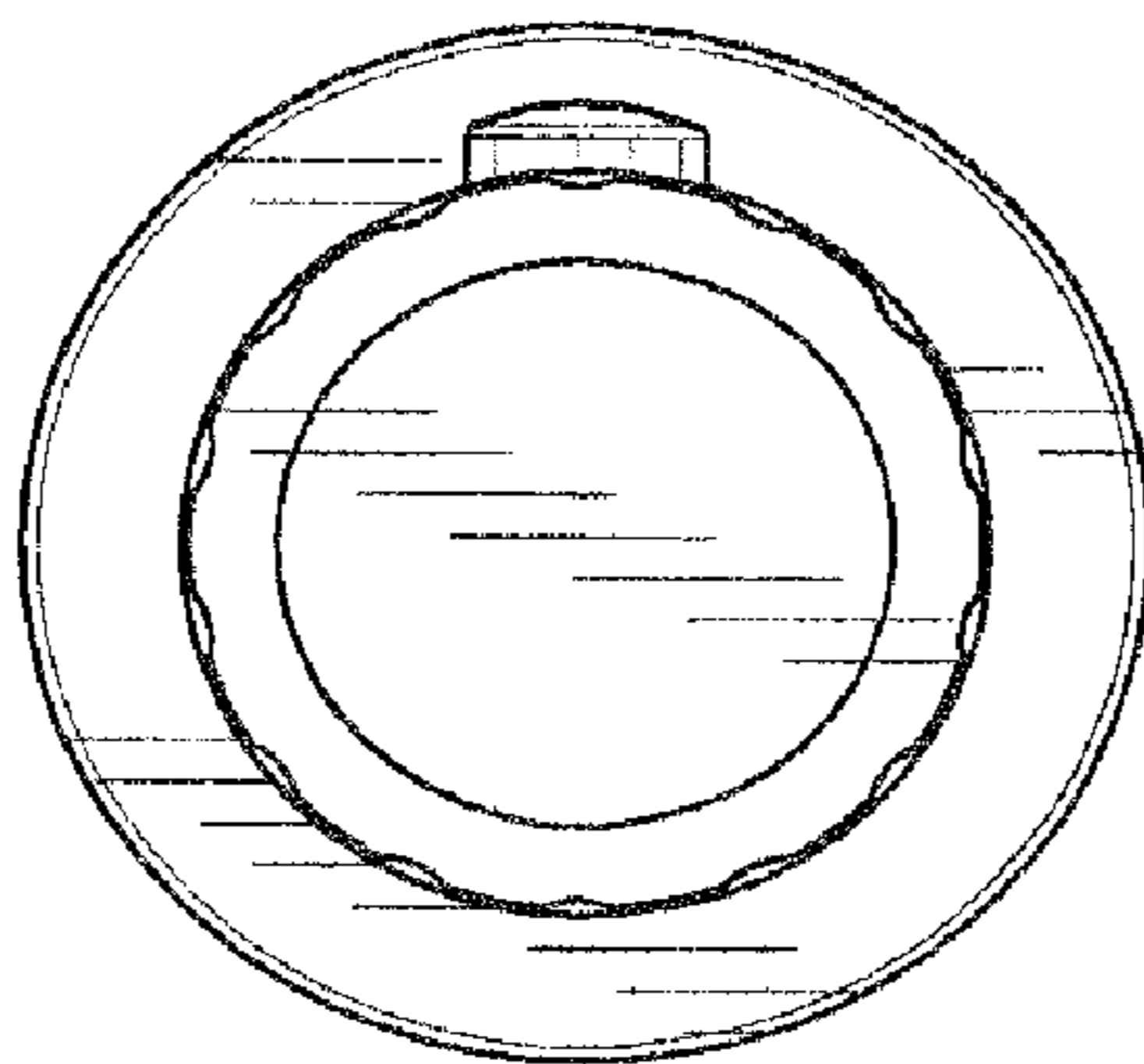


FIG. 7

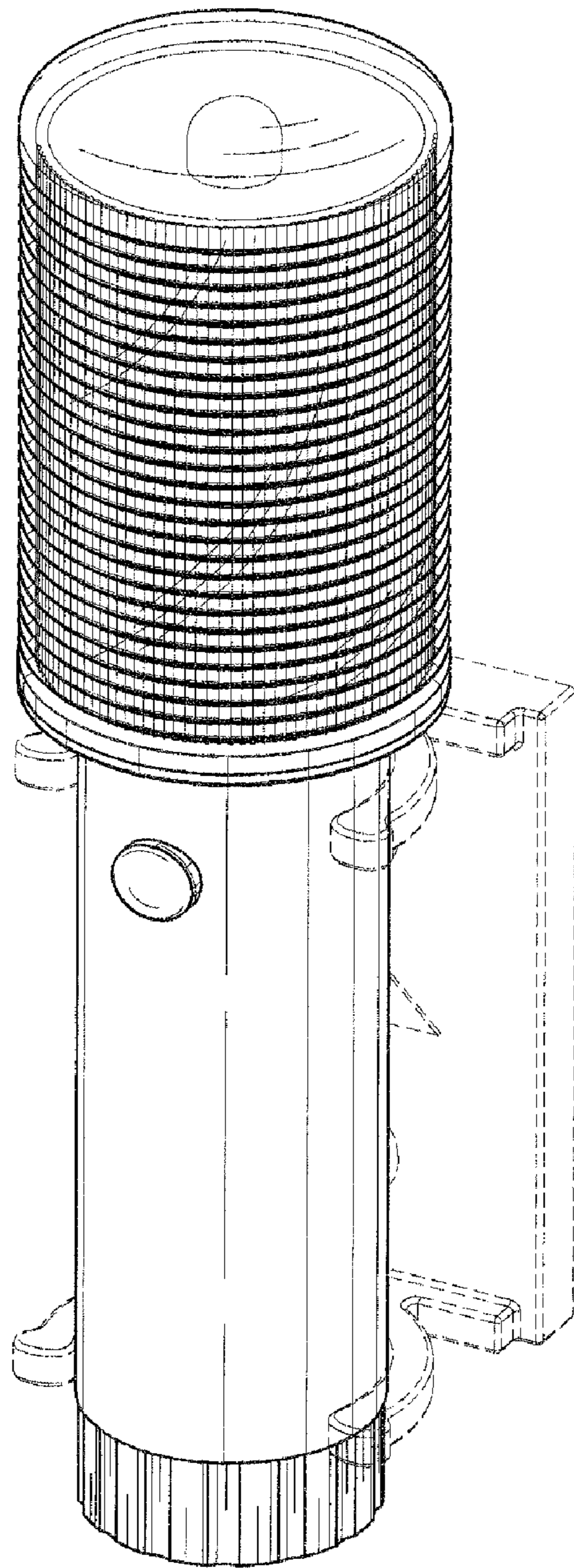


FIG. 8