

US00D660997S

(12) **United States Design Patent**
Seum et al.

(10) **Patent No.:** **US D660,997 S**
(45) **Date of Patent:** **** May 29, 2012**

- (54) **CANDLE AND CONTAINER**
- (75) Inventors: **Michael Thomas Seum**, Cincinnati, OH (US); **Norio Fujikawa**, San Francisco, CA (US); **Shujan Sung Bertrand**, San Francisco, CA (US); **Anh Tuan Nguyen**, Portland, OR (US)
- (73) Assignee: **The Procter and Gamble Company**, Cincinnati, OH (US)

D547,468 S 7/2007 Horezniak et al.
 D547,470 S 7/2007 Horezniak et al.
 D565,241 S 3/2008 Horezniak et al.
 D590,078 S 4/2009 Horezniak et al.
 2003/0104330 A1 6/2003 Joyner
 (Continued)

- (**) Term: **14 Years**
- (21) Appl. No.: **29/367,725**
- (22) Filed: **Aug. 12, 2010**

OTHER PUBLICATIONS

U.S. Appl. No. 29/291,314, filed Aug. 23, 2007, Seum.
 (Continued)

Primary Examiner — T. Chase Nelson
Assistant Examiner — Ania Aman
 (74) *Attorney, Agent, or Firm* — Amy I Ahn-Roll; Julia A Glazer; Leonard W Lewis

Related U.S. Application Data

- (62) Division of application No. 29/291,315, filed on Aug. 23, 2007, now Pat. No. Des. 623,780.
- (51) **LOC (9) Cl.** **26-01**
- (52) **U.S. Cl.** **D26/23**
- (58) **Field of Classification Search** D26/5, D26/6, 7, 9, 10, 11, 12, 13, 14, 15, 16, 17, D26/18, 19, 20, 21, 22, 23, 114–137; D11/117, D11/121, 125, 131; 428/7–9, 11; 431/291, 431/311, 320, 298; 362/161–163, 351; D9/516, D9/434, 435, 439, 445, 454, 499
 See application file for complete search history.

(57) **CLAIM**

The ornamental design for a candle and container, as shown and described.

DESCRIPTION

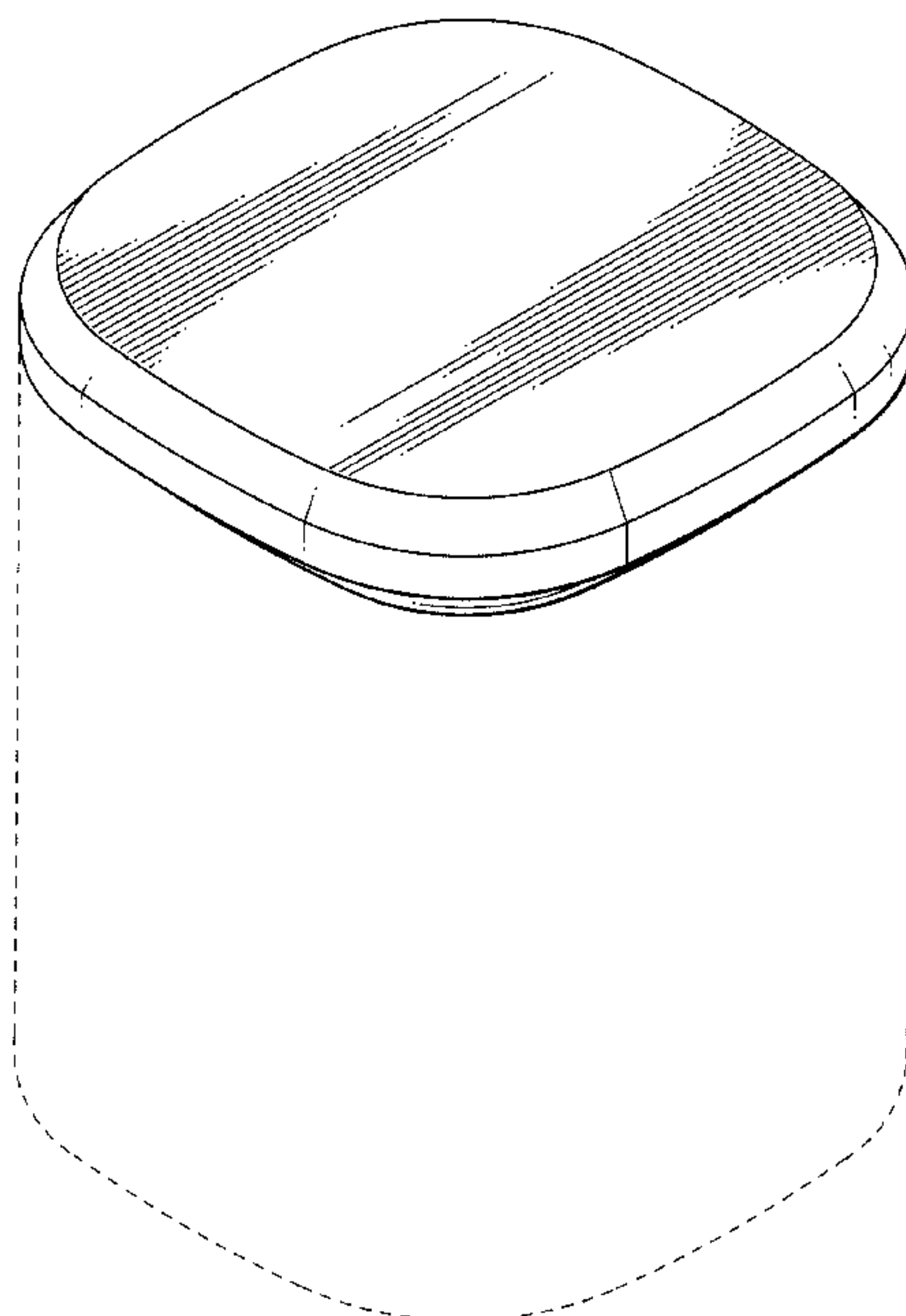
FIG. 1 is a perspective view of a portion of a candle and container.
 FIG. 2 is a bottom perspective view of the candle and container of FIG. 1.
 FIG. 3 is a front view of the candle and container of FIG. 1.
 FIG. 4 is a rear view of the candle and container of FIG. 1.
 FIG. 5 is a left side view of the candle and container of FIG. 1.
 FIG. 6 is a right side view of the candle and container of FIG. 1.
 FIG. 7 is top view of the candle and container of FIG. 1; and, FIG. 8 is a bottom view of the candle and container of FIG. 1.
 The broken line showing of environmental structure in the figures is for illustrative purposes only and forms no part of the claimed design.

(56) **References Cited**

U.S. PATENT DOCUMENTS

- 6,241,512 B1 6/2001 Freeman et al.
- 6,435,694 B1 8/2002 Bell et al.
- D492,798 S * 7/2004 Reynolds et al. D26/11
- D506,136 S * 6/2005 Wilde et al. D9/503
- D547,467 S 7/2007 Horezniak et al.

1 Claim, 8 Drawing Sheets



US D660,997 S

Page 2

U.S. PATENT DOCUMENTS

2007/0169404 A1 7/2007 Cagle
2007/0169405 A1 7/2007 Cagle
2008/0081305 A1 4/2008 Horezniak et al.

OTHER PUBLICATIONS

U.S. Appl. No. 29/291,315, filed Aug. 23, 2004, Seum.

U.S. Appl. No. 29/286,997, filed May 25, 2007, Horezniak.
<http://oami.europa.eu/RCDOOnline/RequestManager>—European
Registered Community Design 000078829-0001.
www.candlewic.com/candle-making-newsletter/0106.asp—Jan.
2006 How to Make Candles, Candle Making Newsletter, printed Sep.
25, 2006, 7 pages.

* cited by examiner

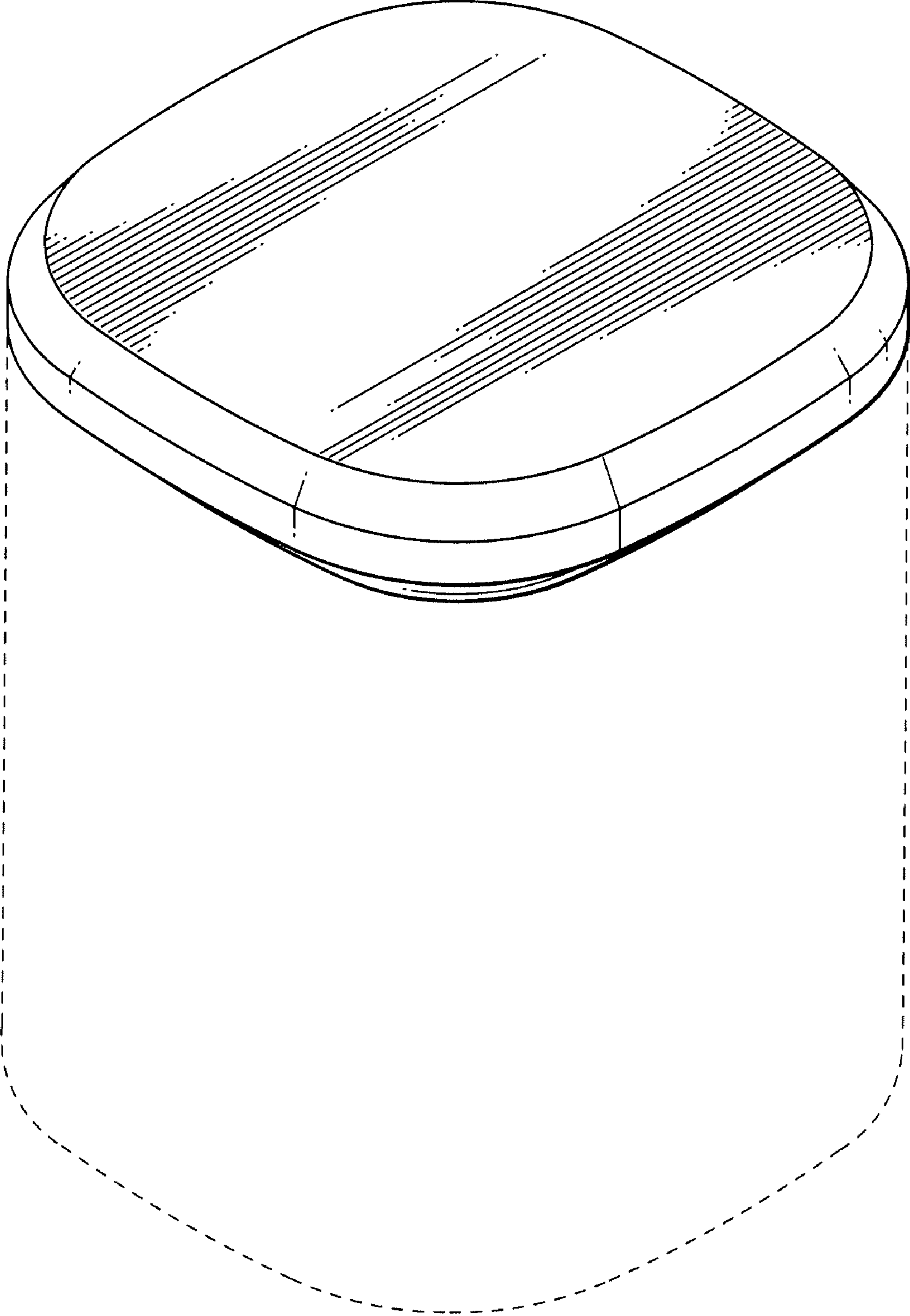


Fig. 1

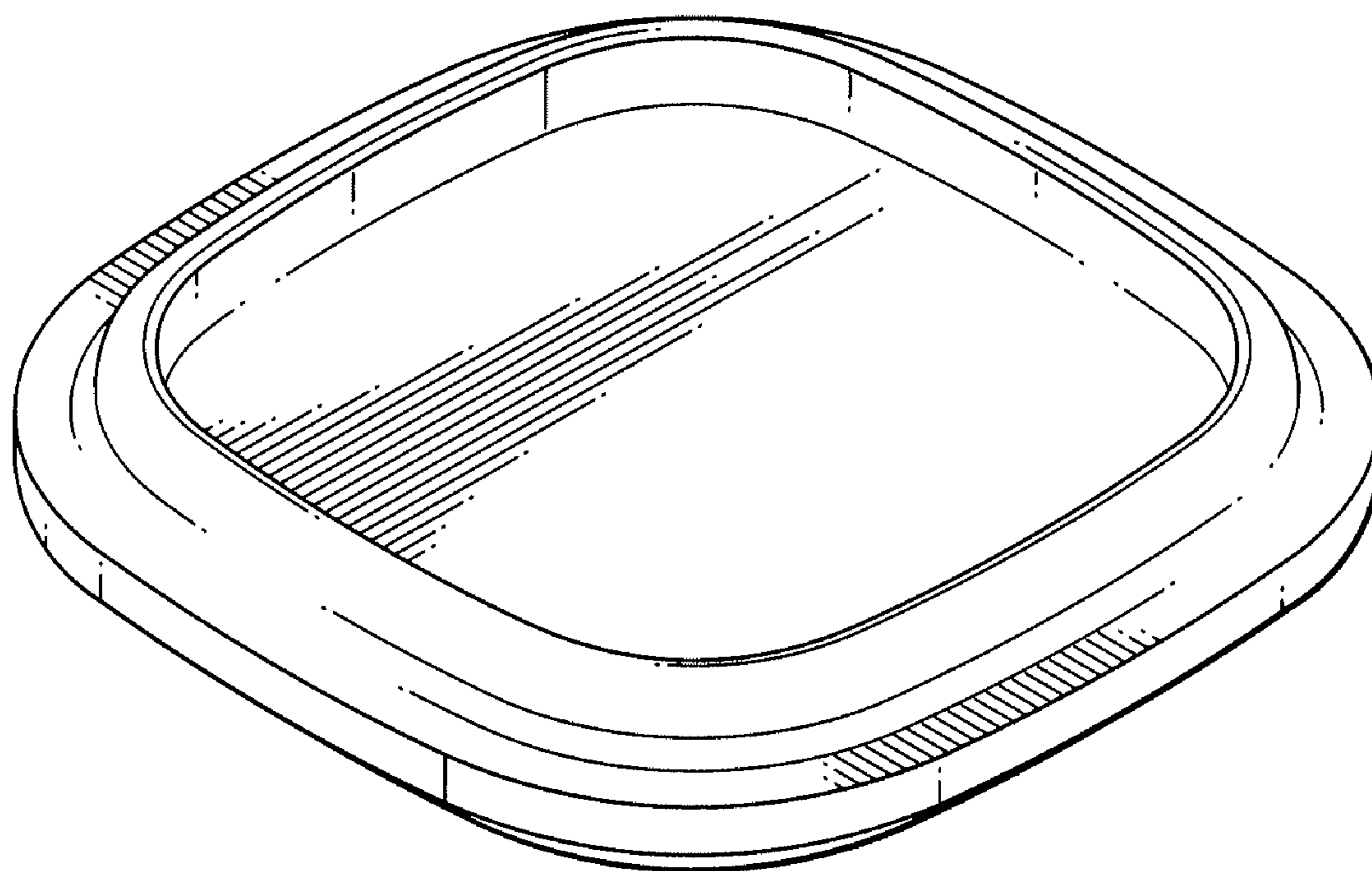


Fig. 2

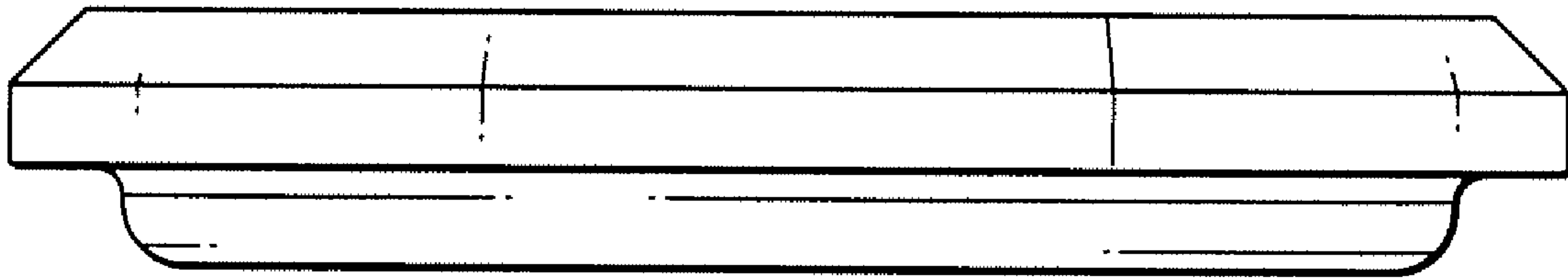


Fig. 3

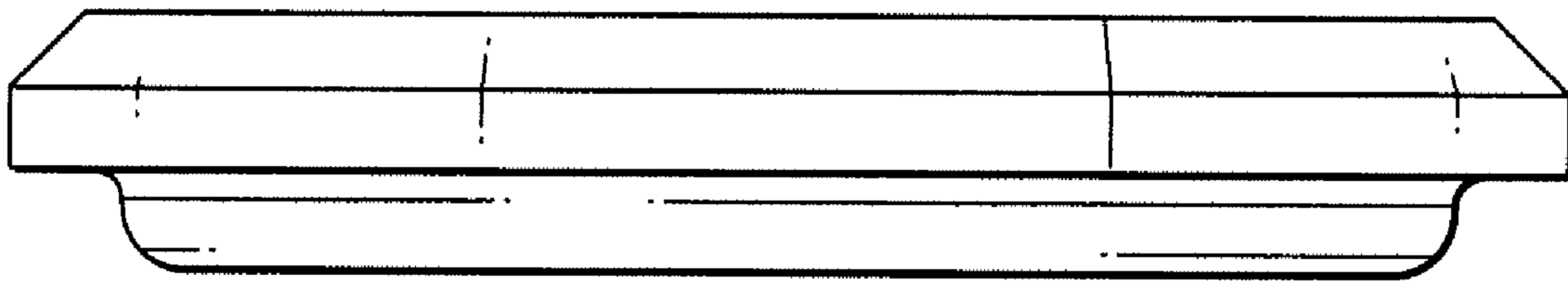


Fig. 4

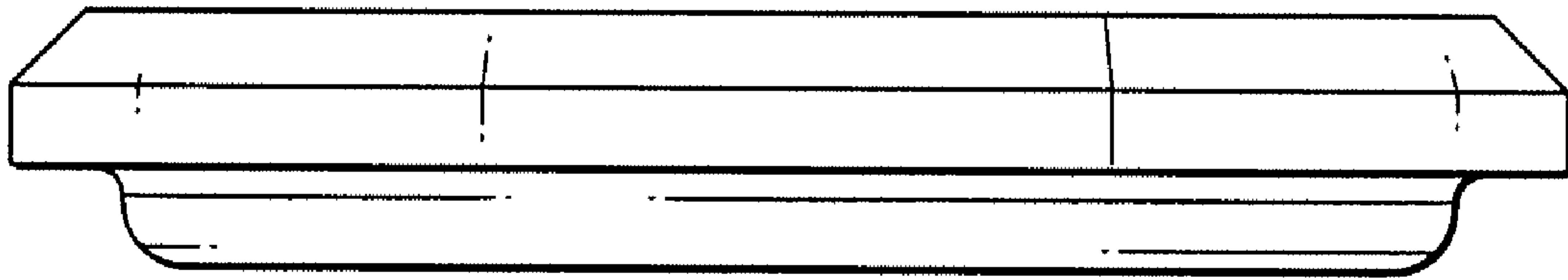


Fig. 5

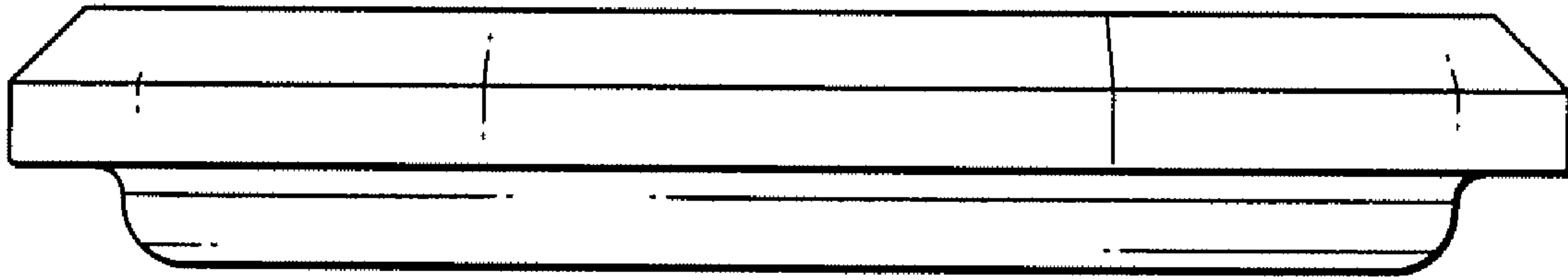


Fig. 6

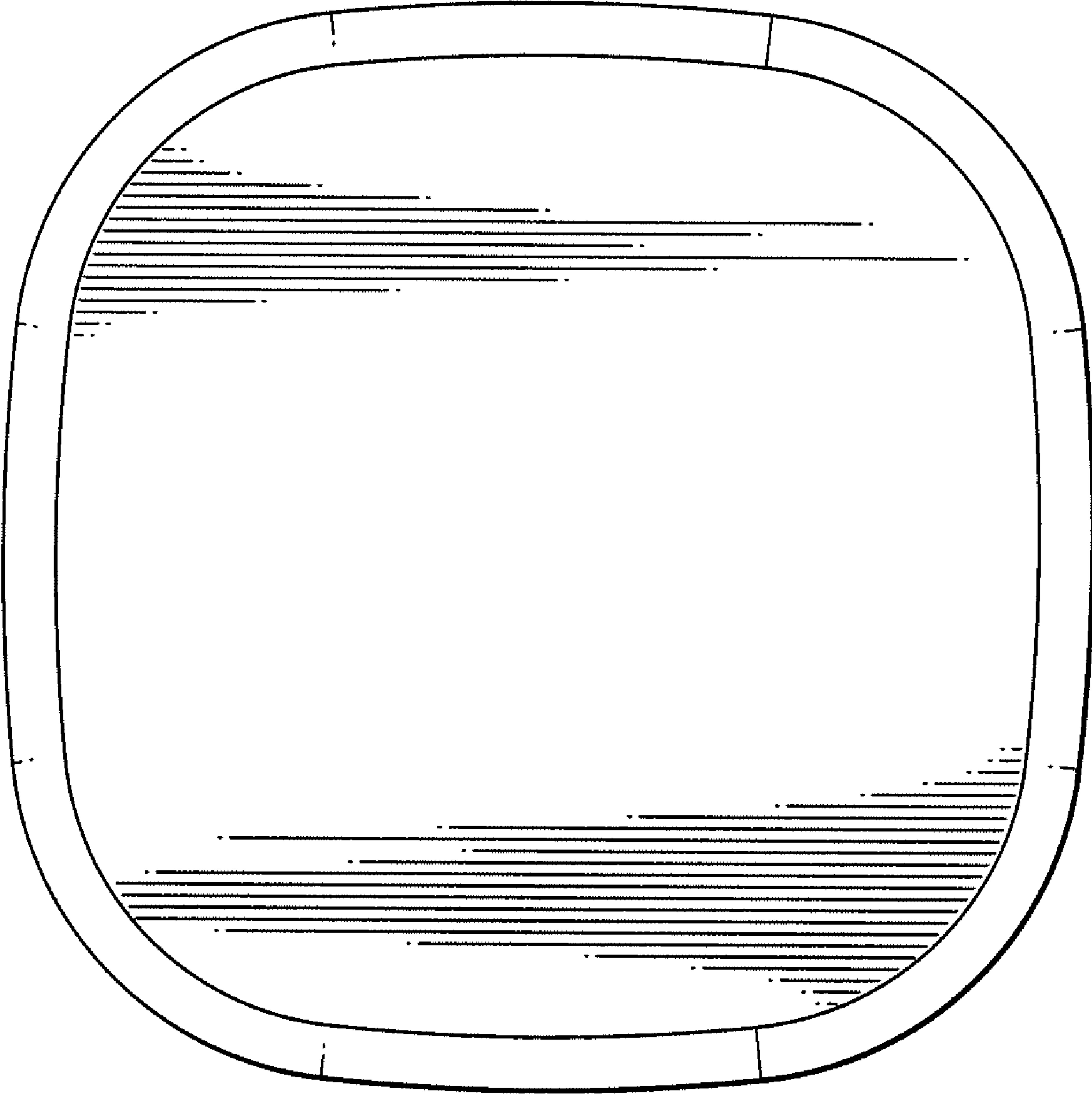


Fig. 7

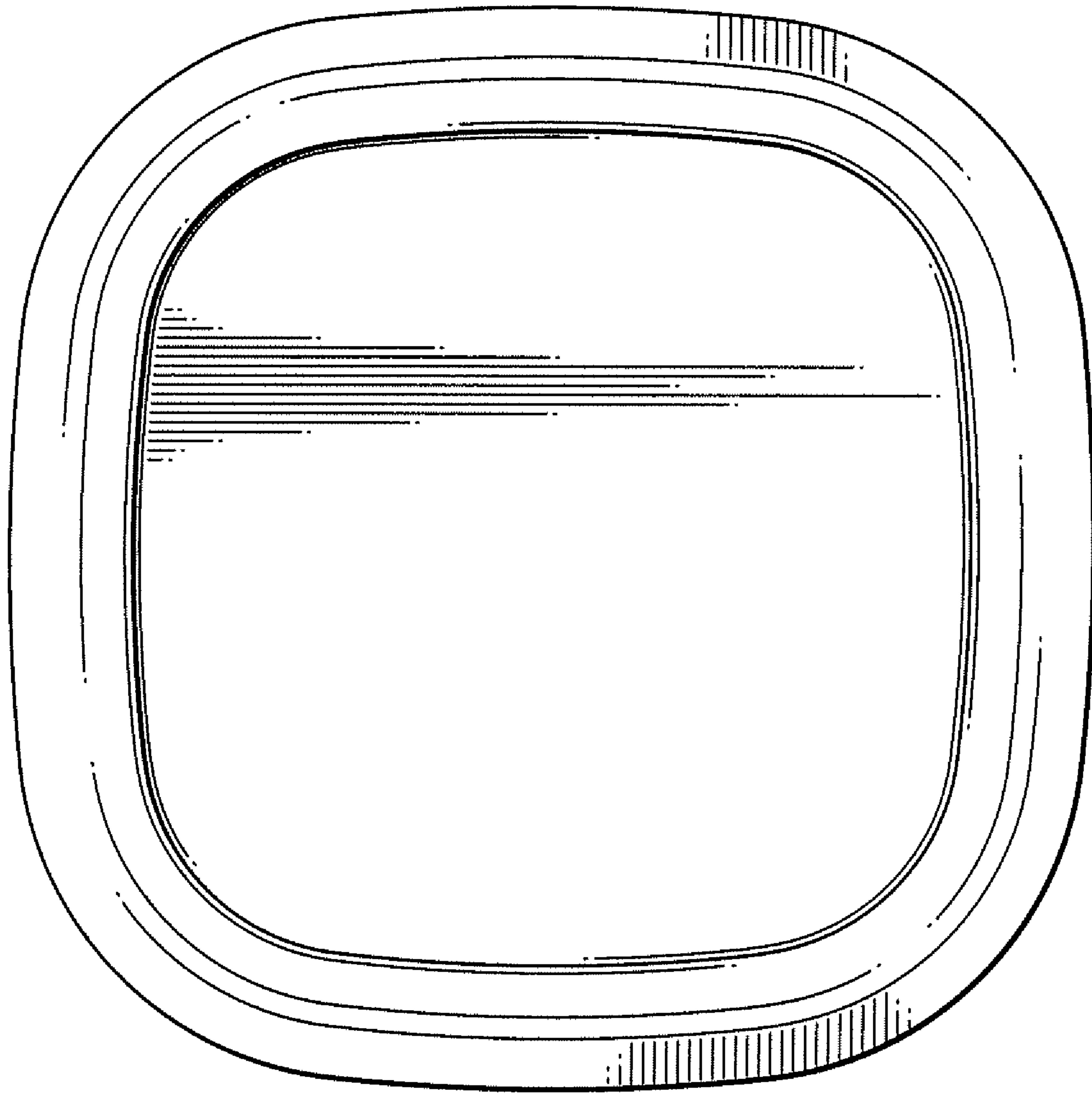


Fig. 8