

US00D660996S

(12) **United States Design Patent**
Rein

(10) **Patent No.:** **US D660,996 S**

(45) **Date of Patent:** **** May 29, 2012**

(54) **COMBINATION CONTAINER AND CANDLE**

(76) Inventor: **Gary Rein**, New York, NY (US)

(**) Term: **14 Years**

(21) Appl. No.: **29/365,132**

(22) Filed: **Jul. 2, 2010**

(51) **LOC (9) Cl.** **26-01**

(52) **U.S. Cl.** **D26/22**

(58) **Field of Classification Search** D26/5-23,
D26/114-137; 431/289, 291, 292, 295, 350;
D7/598; D11/143; D9/500, 503-505, 432,
D9/516

See application file for complete search history.

2006/0118098 A1* 6/2006 Lo 126/9 A
2007/0117059 A1* 5/2007 Goldenberg 431/289
2007/0298360 A1* 12/2007 Ukra 431/289
2010/0279040 A1* 11/2010 West et al. 428/34.2
2011/0204015 A1* 8/2011 West et al. 215/316

* cited by examiner

Primary Examiner — T. Chase Nelson

Assistant Examiner — Ania Aman

(74) *Attorney, Agent, or Firm* — Libby Babu Varghese, Esq.;
Carter Ledyard & Milburn LLP

(57) **CLAIM**

The ornamental design for a combination container and candle, substantially as shown and described.

DESCRIPTION

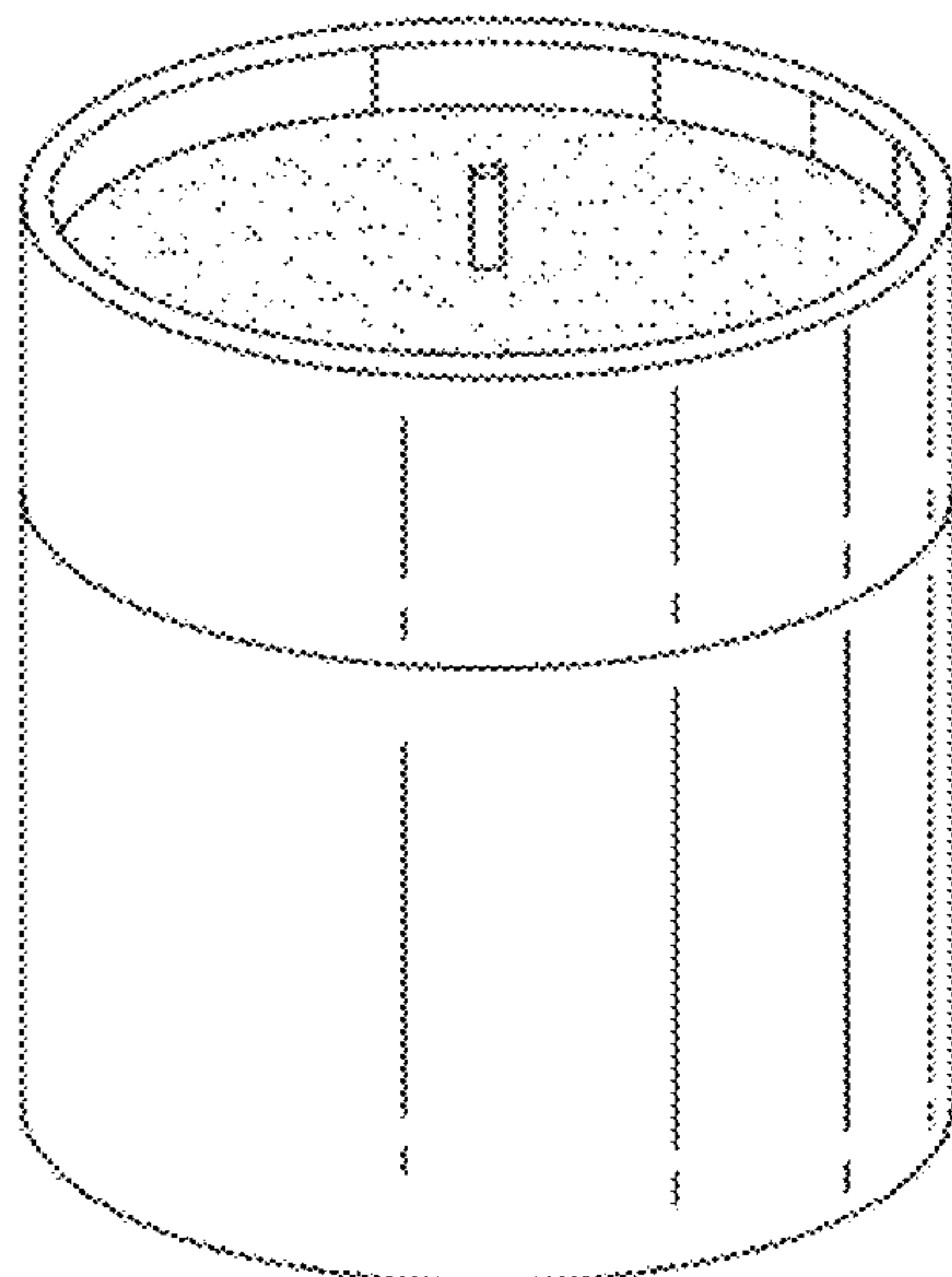
(56) **References Cited**

U.S. PATENT DOCUMENTS

3,217,964	A *	11/1965	Stegner	229/5.5
D226,240	S	1/1973	Twedt		
4,304,547	A *	12/1981	Buzil	431/126
D269,638	S *	7/1983	Frye et al.	D26/9
6,068,472	A *	5/2000	Freeman et al.	431/291
6,171,102	B1 *	1/2001	Freeman et al.	431/291
D477,536	S *	7/2003	Kudo et al.	D9/522
D489,143	S	4/2004	Clarkson		
D489,604	S	5/2004	Turner		
D490,547	S	5/2004	Clarkson		
D507,789	S	7/2005	Mangano		
D515,426	S *	2/2006	Pace et al.	D9/504
D523,752	S *	6/2006	Bried et al.	D9/504
D531,036	S *	10/2006	Bried et al.	D9/504
D581,809	S *	12/2008	Wichowski	D9/772
D621,261	S *	8/2010	DeMarco	D9/504
D622,554	S *	8/2010	Carreno	D7/629
7,954,640	B2 *	6/2011	West et al.	206/581
2001/0005492	A1 *	6/2001	Freeman	422/126

FIG. 1 is a perspective view of a first embodiment of the combination container and candle;
FIG. 2 is a top view thereof;
FIG. 3 is a bottom view thereof;
FIG. 4 is a front elevation view thereof, the rear, left and right side elevation views being identical thereto;
FIG. 5 is an exploded perspective view thereof;
FIG. 6 is a perspective view of a second embodiment of the combination container and candle;
FIG. 7 is a top view thereof;
FIG. 8 is a bottom view thereof;
FIG. 9 is a front elevation view thereof, the rear, left and right side elevation views being identical thereto; and,
FIG. 10 is an exploded perspective view thereof.
In the drawings, the broken lines in FIGS. 5 and 10 depict unclaimed subject matter only and form no part of the claimed design.

1 Claim, 8 Drawing Sheets



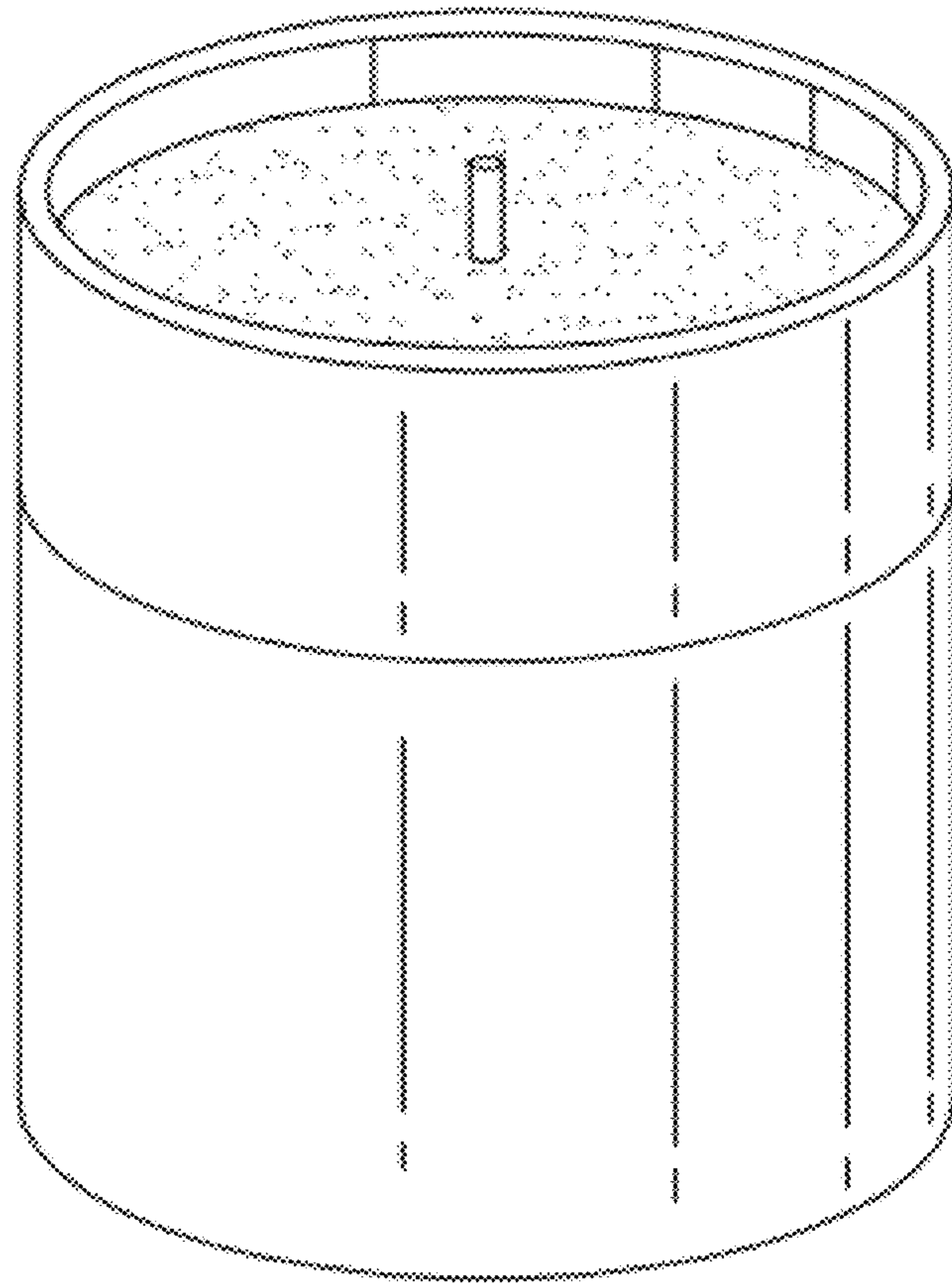


FIG. 1

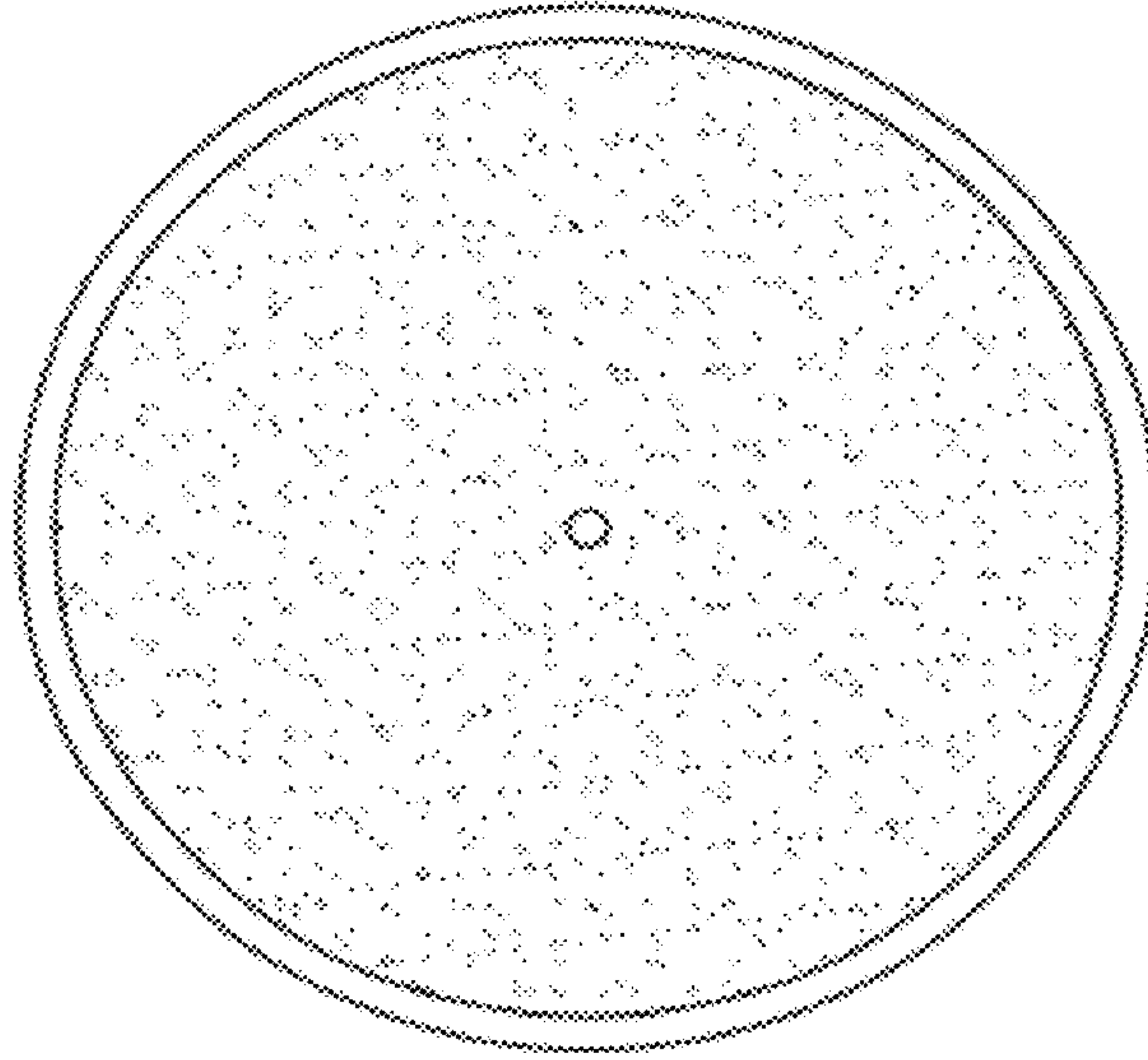


FIG. 2

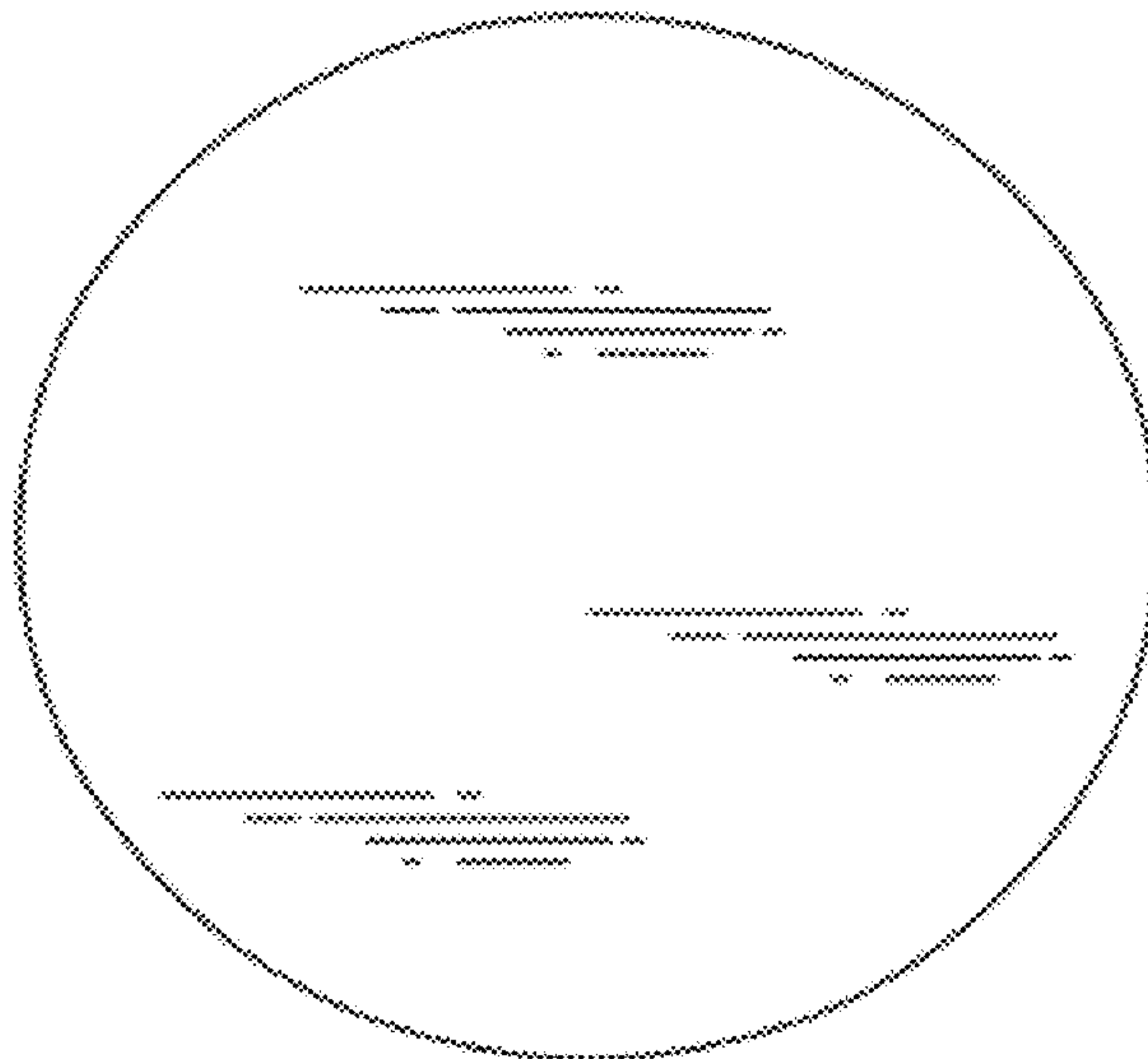


FIG. 3

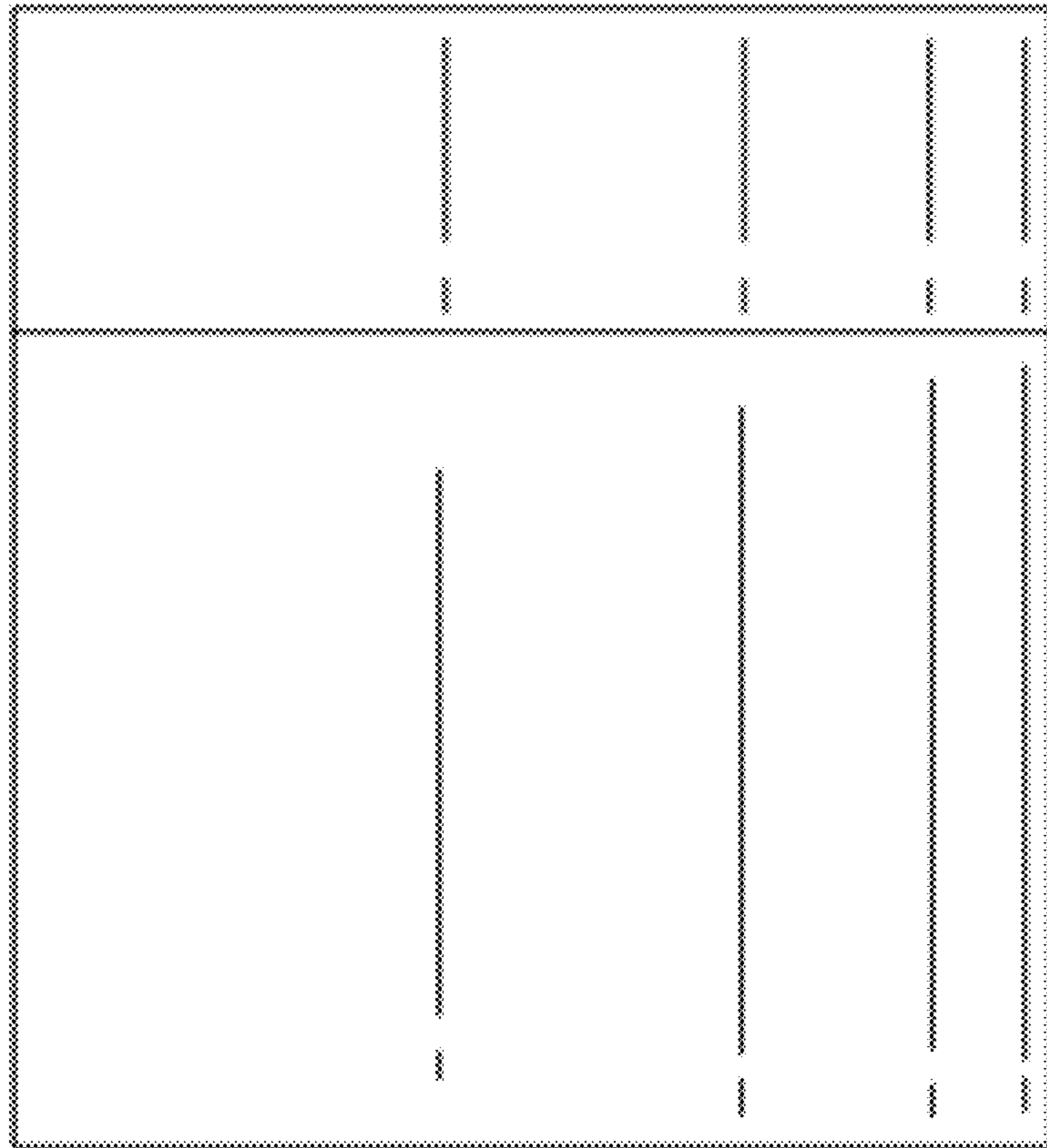


FIG. 4

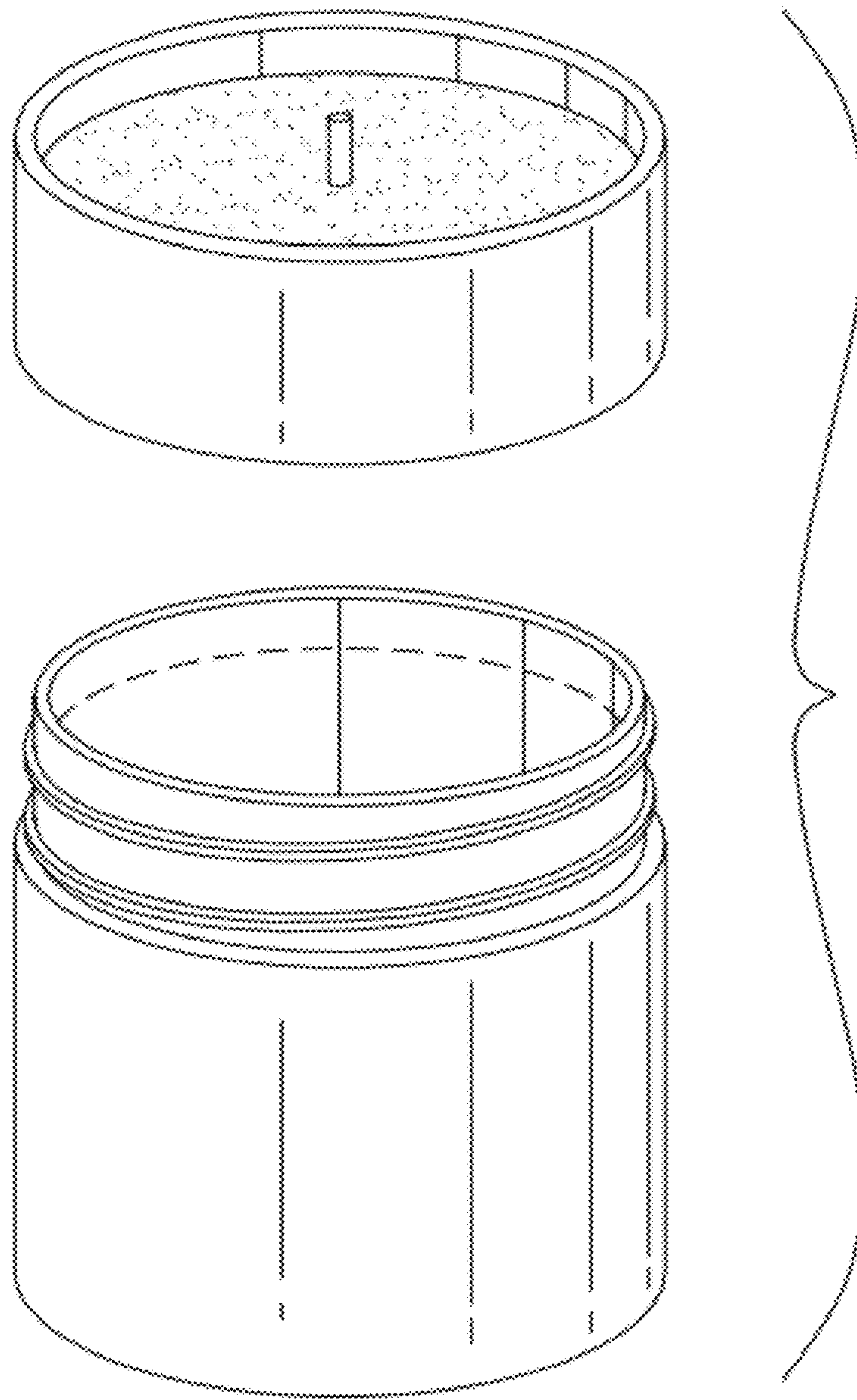


FIG. 5

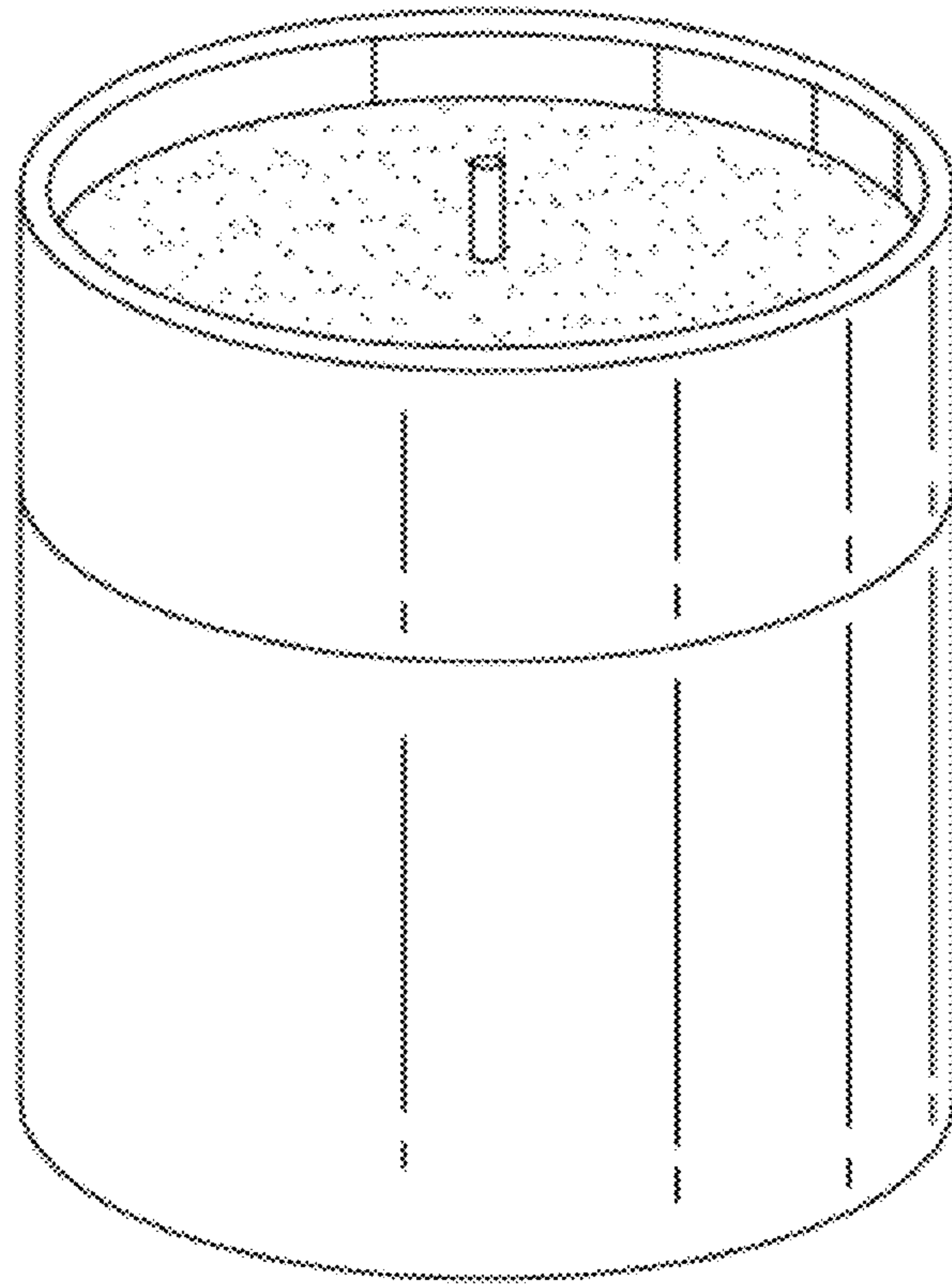


FIG. 6

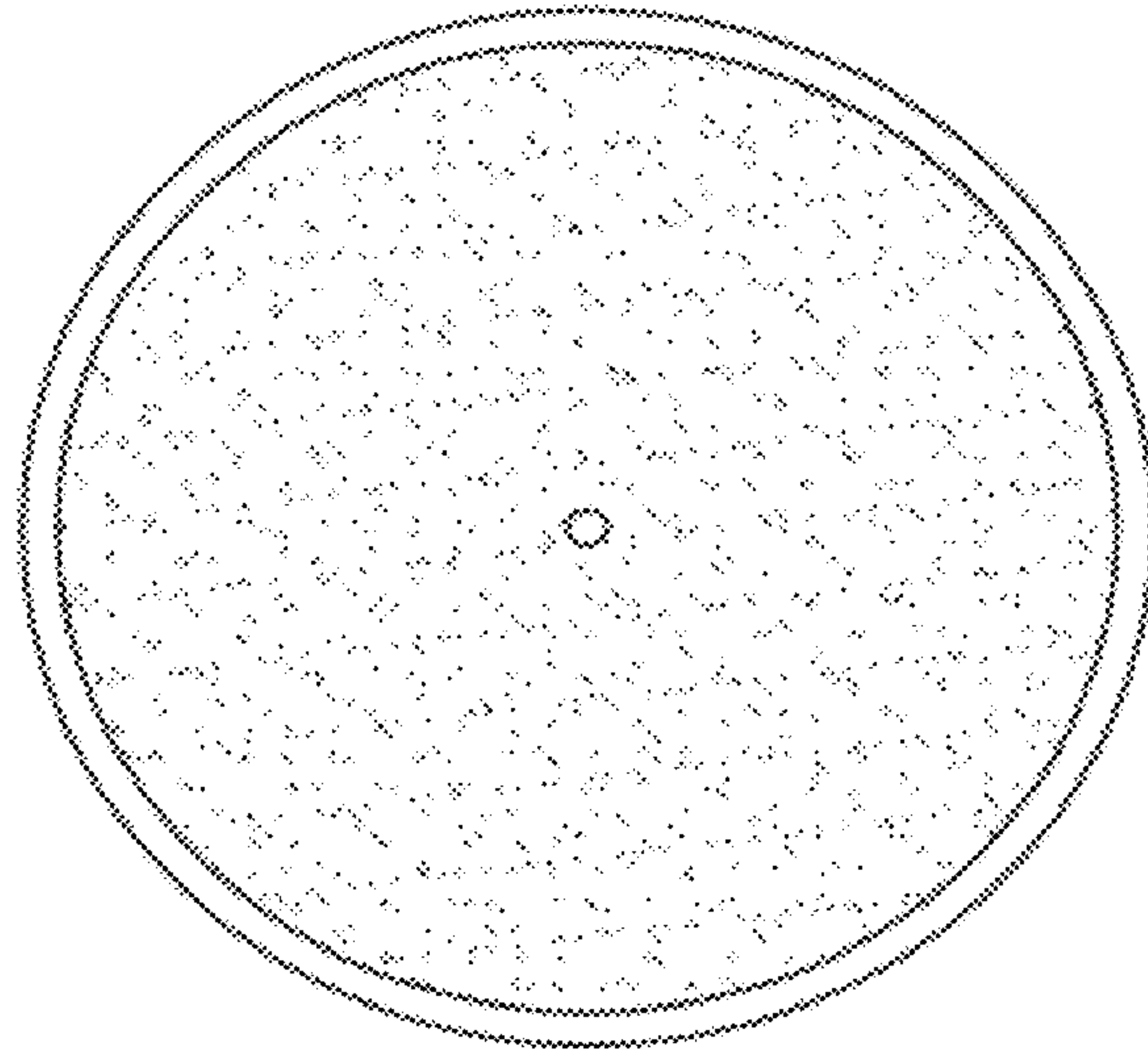


FIG. 7

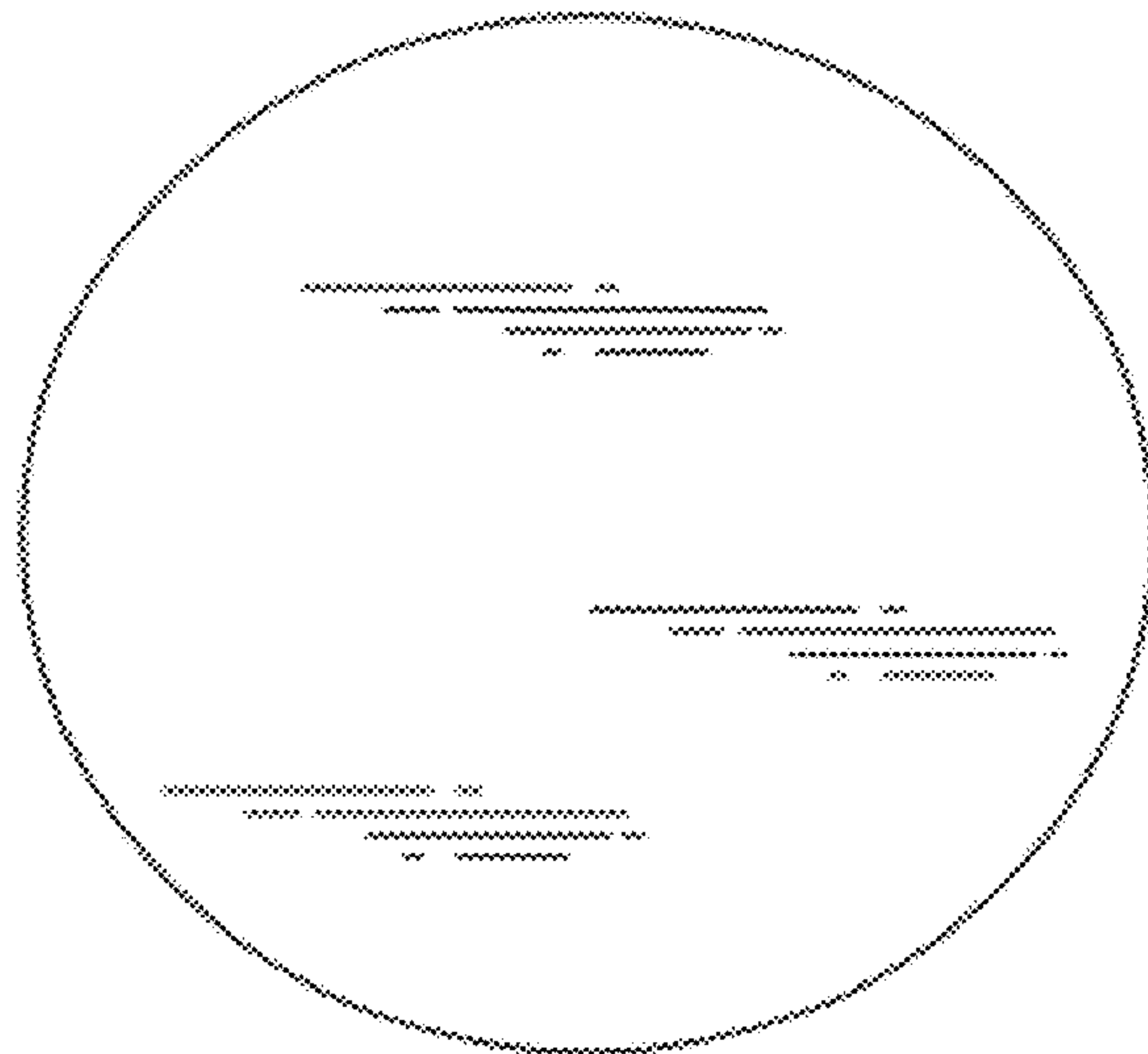


FIG. 8

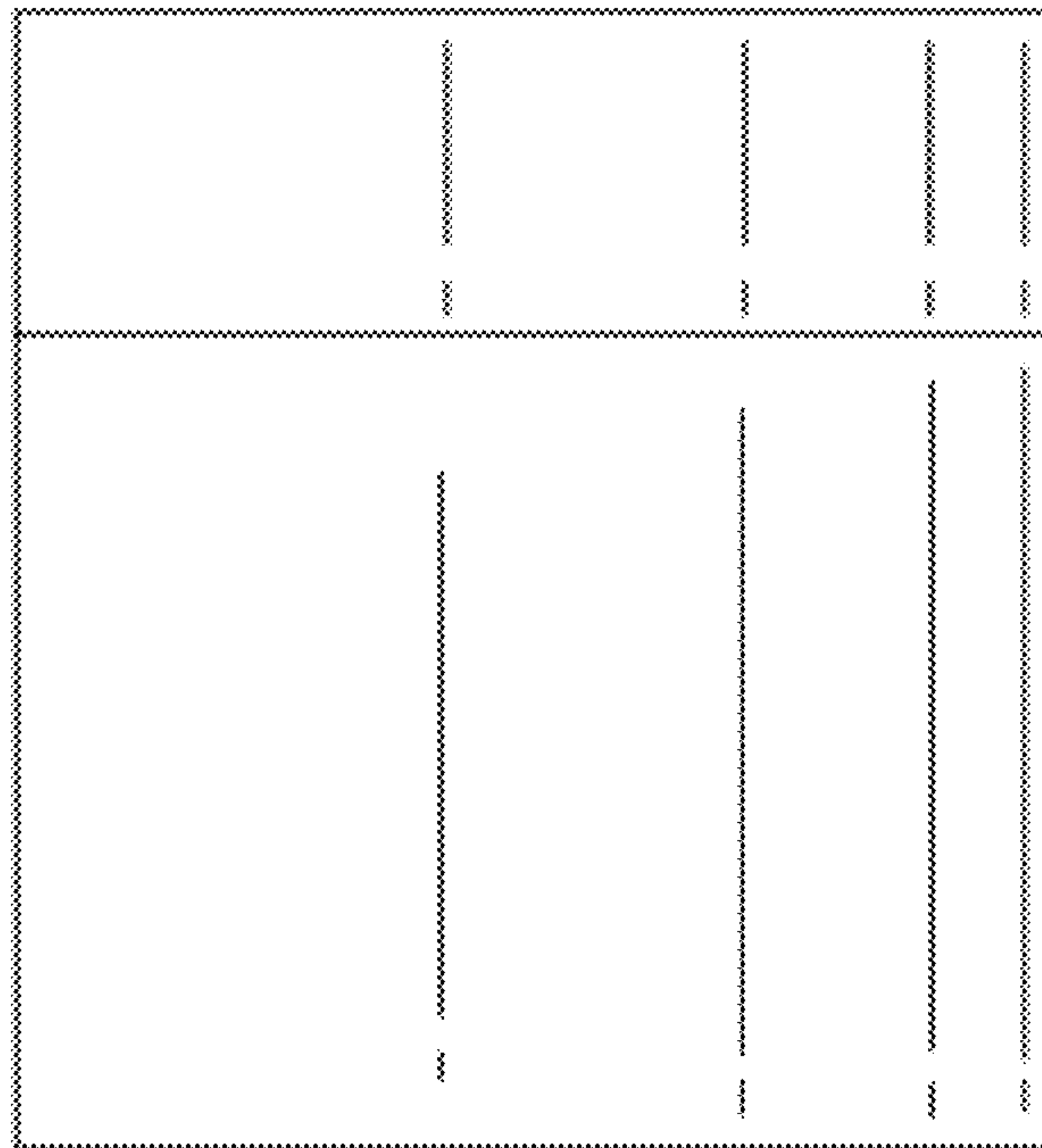


FIG. 9

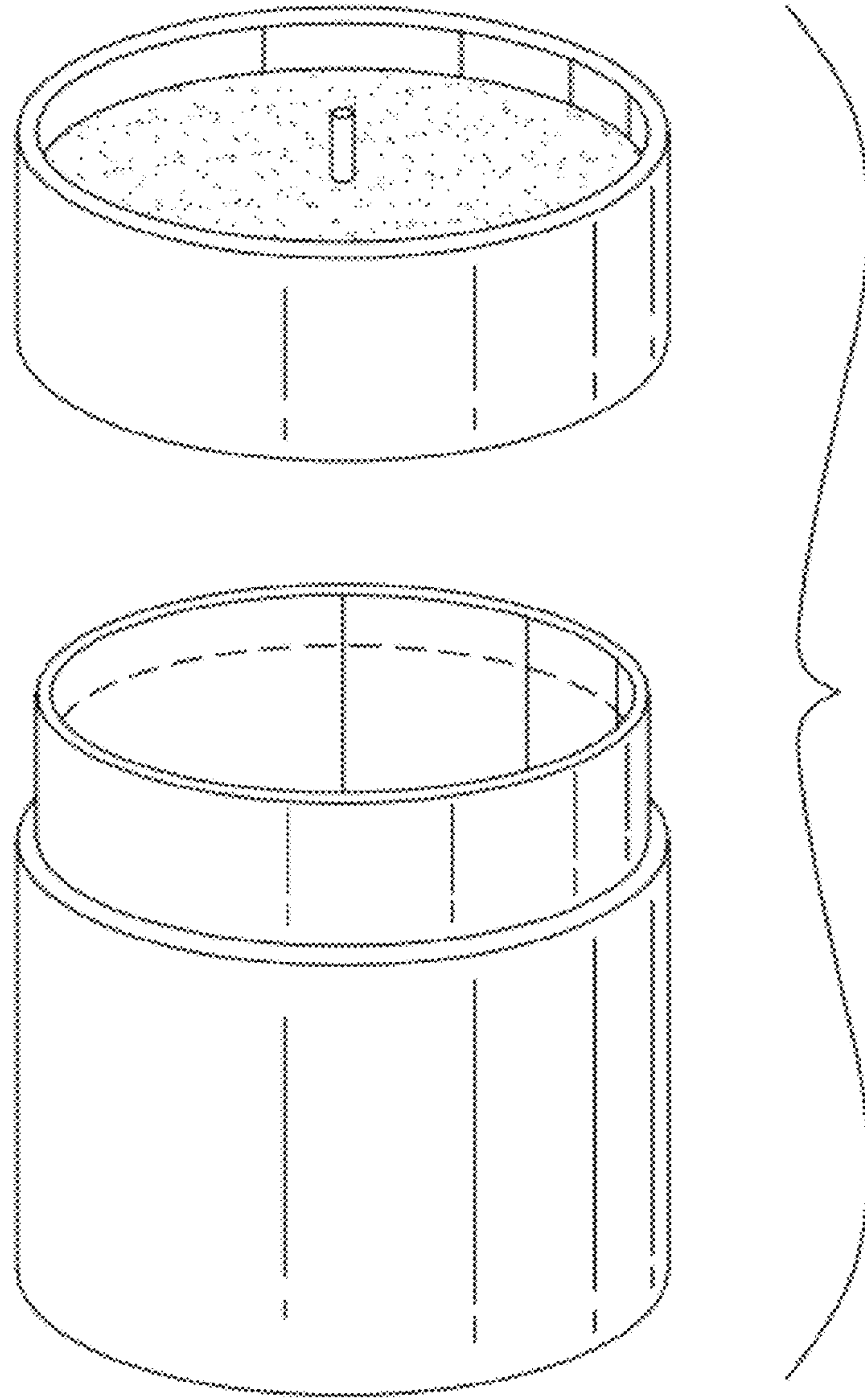


FIG. 10