

US00D660994S

(12) **United States Design Patent**
Halty

(10) **Patent No.:** **US D660,994 S**

(45) **Date of Patent:** **** May 29, 2012**

(54) **CANDLE AND CONTAINER**

(75) Inventor: **Yassir Halty**, Blue Ash, OH (US)

(73) Assignee: **The Procter & Gamble Company**,
Cincinnati, OH (US)

(**) Term: **14 Years**

(21) Appl. No.: **29/394,163**

(22) Filed: **Jun. 14, 2011**

(51) **LOC (9) Cl.** **26-01**

(52) **U.S. Cl.** **D26/9**

(58) **Field of Classification Search** D26/6-23;
431/289, 291, 292, 295, 350; D7/598, 509,
D7/745; D11/143; D9/500, 503-505, 432,
D9/516, 551, 538

See application file for complete search history.

(56) **References Cited**

U.S. PATENT DOCUMENTS

2,137,701 A	11/1938	Replogle	
D252,590 S	8/1979	Peretti et al.	
D362,801 S	* 10/1995	Milroy	D9/745
D423,877 S	* 5/2000	Kerr	D7/509
D437,948 S	2/2001	Poppick et al.	
D439,348 S	3/2001	Poppick et al.	
D439,683 S	3/2001	Poppick et al.	

D441,883 S	5/2001	Poppick et al.	
D442,300 S	5/2001	Poppick et al.	
D464,877 S	* 10/2002	Weinstein et al.	D9/418
D491,288 S	* 6/2004	Young	D9/558
D521,202 S	* 5/2006	Lin	D34/1
D570,158 S	* 6/2008	Massi et al.	D7/523

FOREIGN PATENT DOCUMENTS

CN 3074380 2/1998

* cited by examiner

Primary Examiner — T. Chase Nelson

Assistant Examiner — Ania Aman

(74) *Attorney, Agent, or Firm* — Amy I Ahn-Roll; Leonard W Lewis

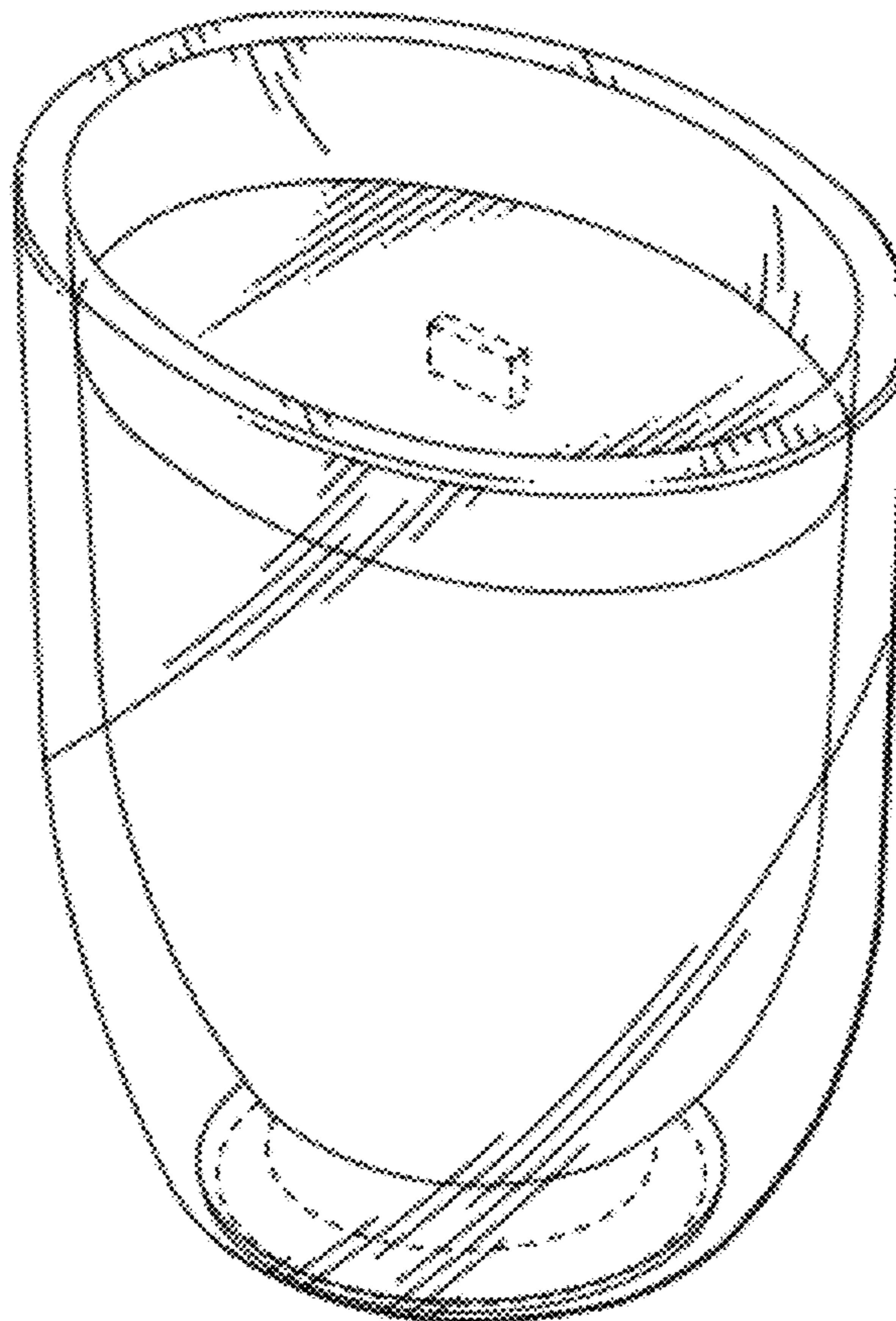
(57) **CLAIM**

The ornamental design for a candle and container, as shown and described.

DESCRIPTION

FIG. 1 is a perspective view of an embodiment of a candle and container, according to the present invention; FIG. 2 is a front elevational view thereof; FIG. 3 is a right side elevational view thereof, the left side elevational view being identical thereto; FIG. 4 is a top view thereof; and, FIG. 5 is a bottom view thereof. Any broken lines shown in the drawings are for illustrative purposes only and form no part of the claimed design.

1 Claim, 2 Drawing Sheets



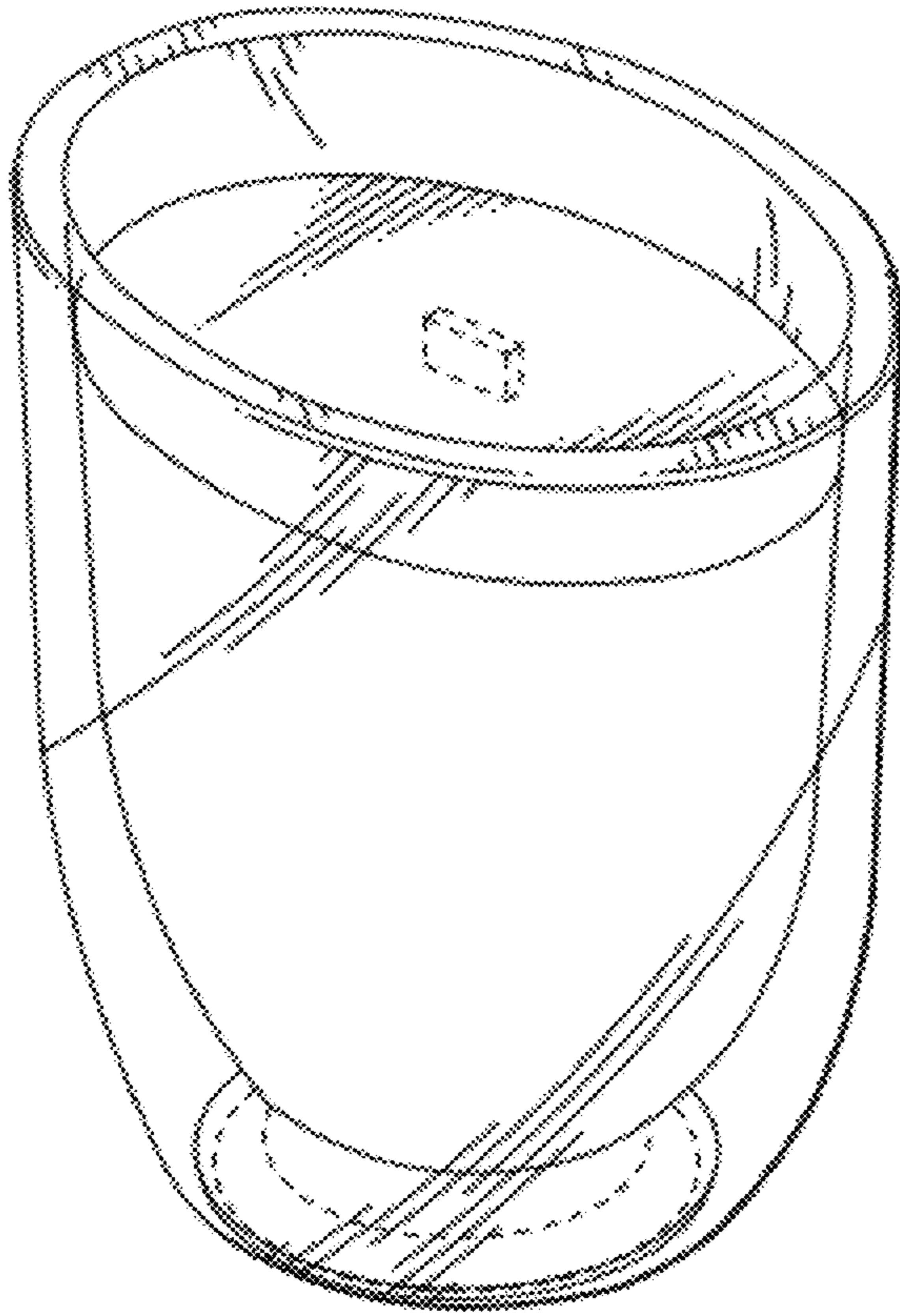


FIG. 1

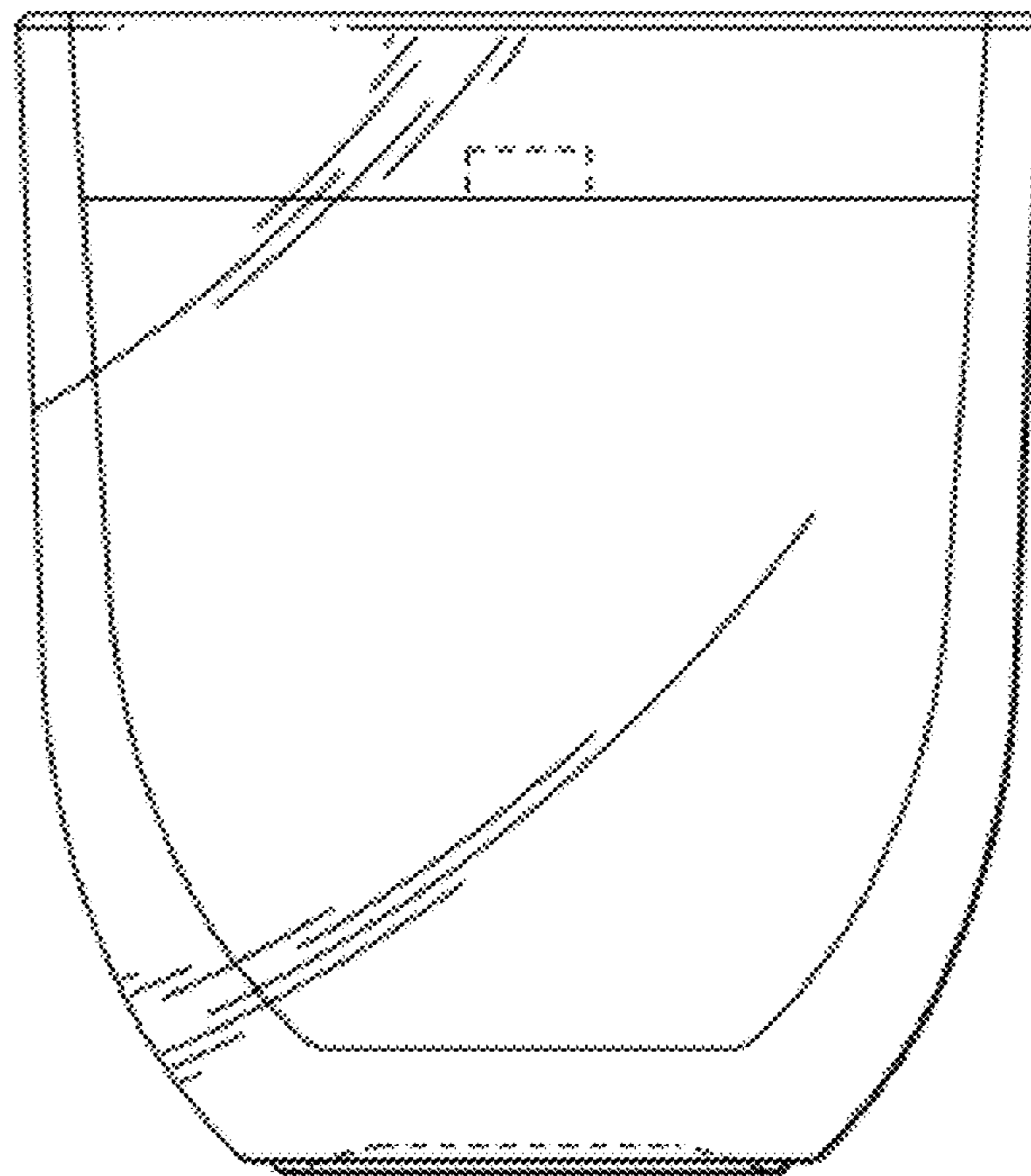


FIG. 2

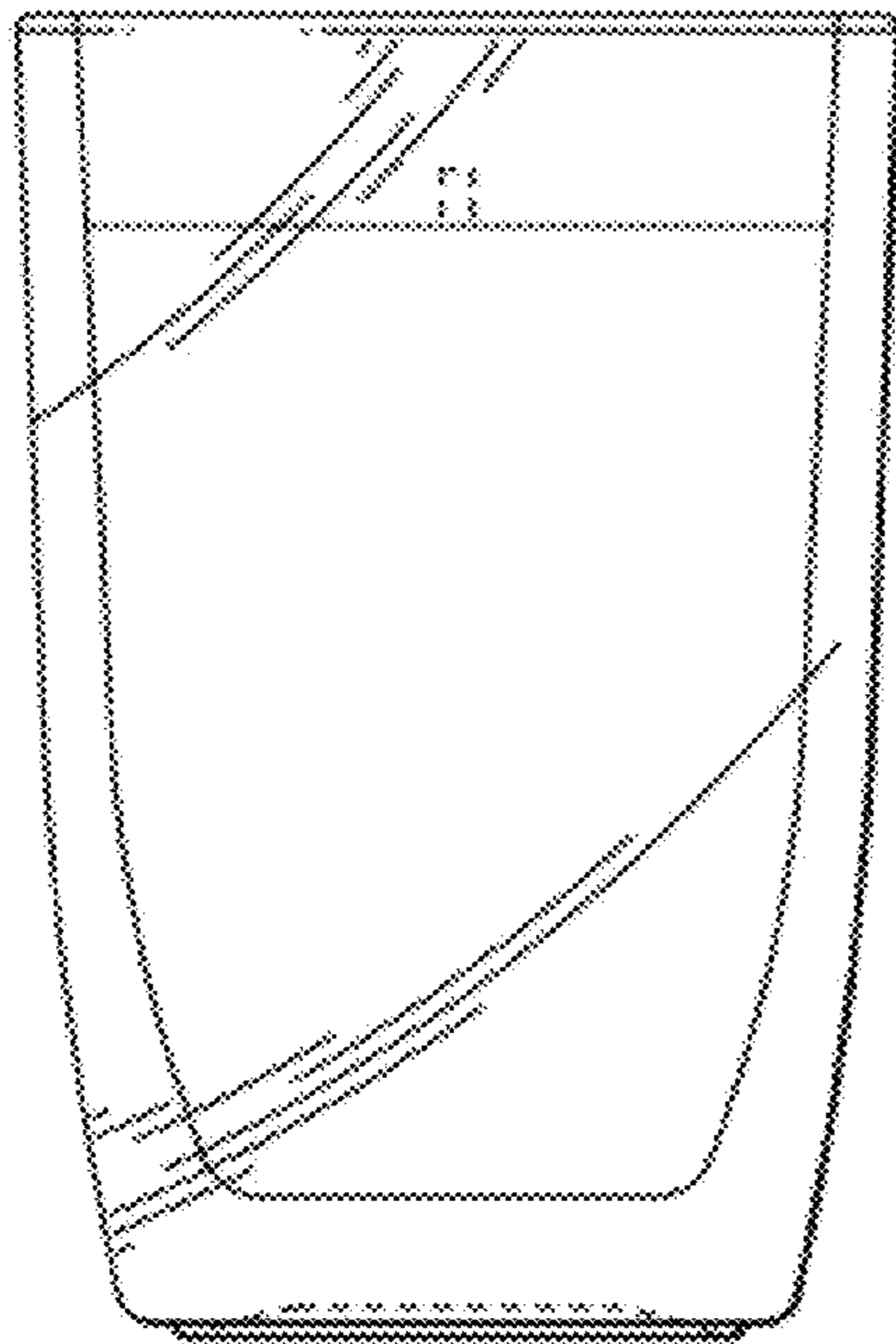


FIG. 3

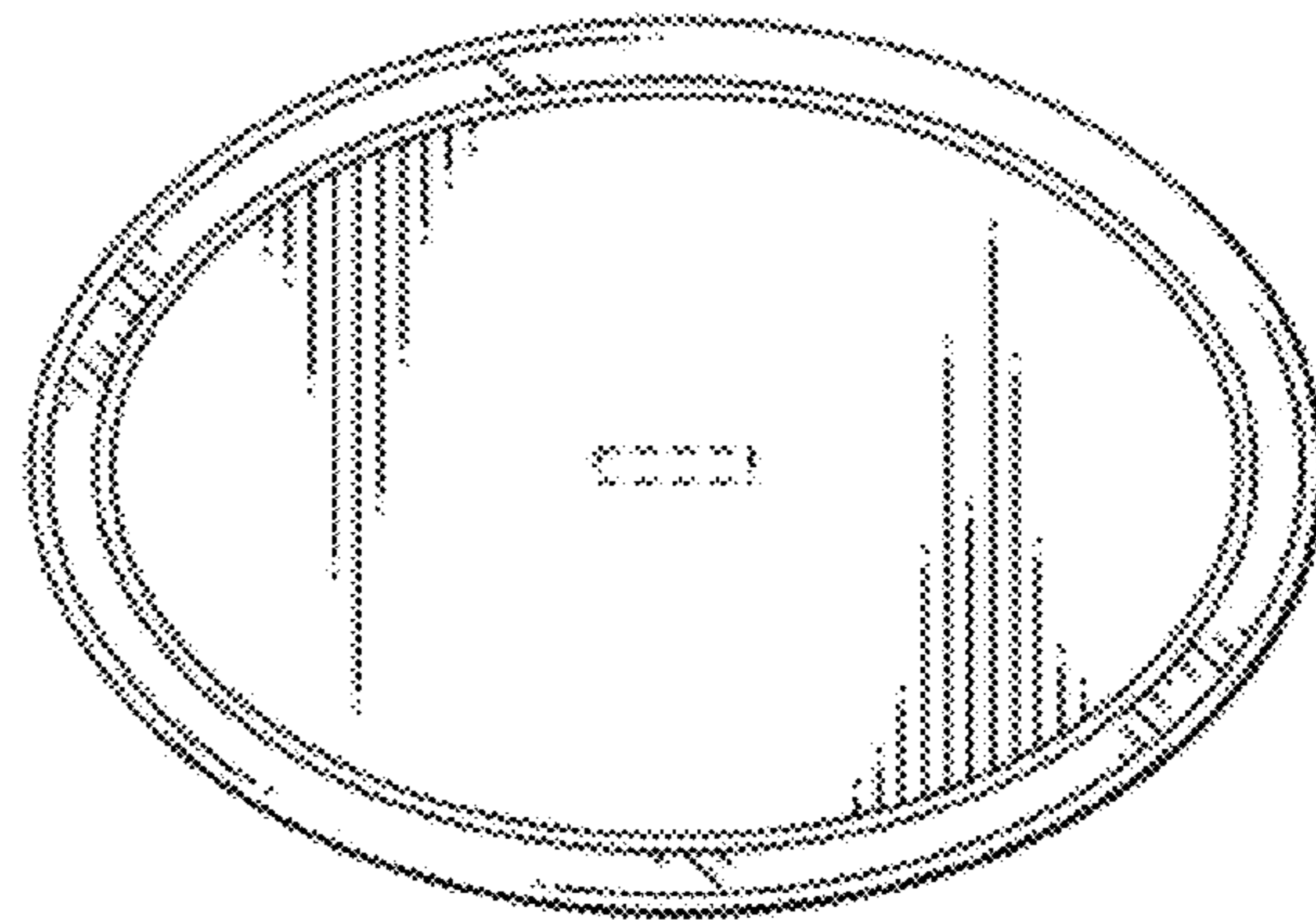


FIG. 4

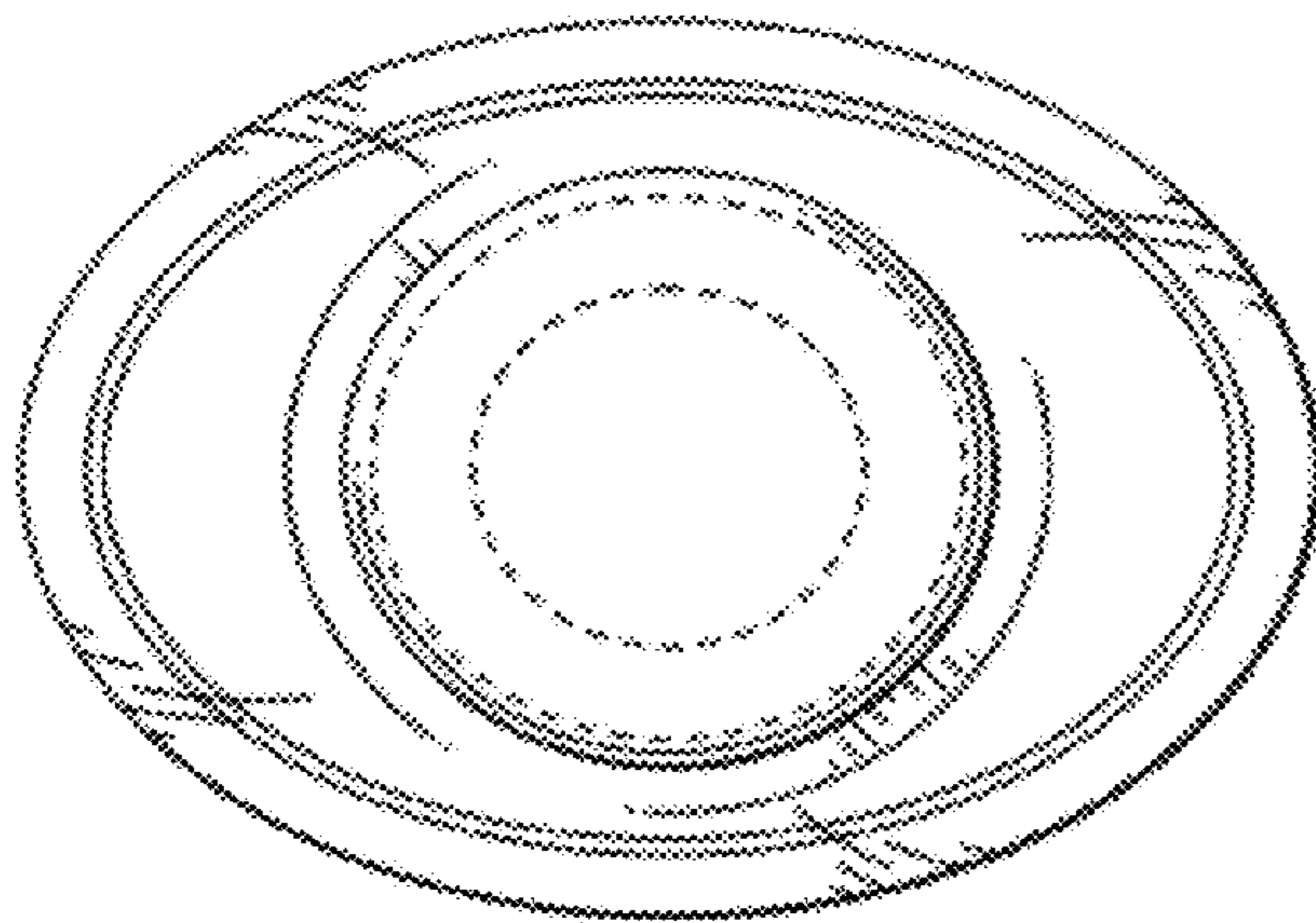


FIG. 5