

US00D660992S

(12) **United States Design Patent**  
**Mase et al.**

(10) **Patent No.:** **US D660,992 S**  
(45) **Date of Patent:** **\*\* May 29, 2012**

(54) **LIGHT-EMITTING DIODE LAMP**  
(75) Inventors: **Nobuyuki Mase**, Nara (JP); **Masashi Sakata**, Osaka (JP); **Yasuyuki Saito**, Osaka (JP); **Masato Matsumoto**, Osaka (JP)

D614,319 S \* 4/2010 Murakami ..... D26/2  
D617,420 S \* 6/2010 Lee ..... D23/223  
D635,281 S 3/2011 Murakami et al.  
D646,804 S \* 10/2011 Murakami et al. .... D26/2

(73) Assignee: **Panasonic Corporation**, Osaka (JP)

**FOREIGN PATENT DOCUMENTS**

JP 1410913 4/2011  
JP 1411262 4/2011  
JP 1414873 5/2011

(\*\*) Term: **14 Years**

\* cited by examiner

(21) Appl. No.: **29/401,492**

*Primary Examiner* — Marcus Jackson

(22) Filed: **Sep. 12, 2011**

(74) *Attorney, Agent, or Firm* — Panasonic Patent Center; Dhiren Odedra; Kerry Culpepper

(30) **Foreign Application Priority Data**

(57) **CLAIM**

Aug. 1, 2011 (JP) ..... 2011-017614

We claim the ornamental design for a light-emitting diode lamp, as shown and described.

(51) **LOC (9) Cl.** ..... **26-04**

(52) **U.S. Cl.** ..... **D26/2**

(58) **Field of Classification Search** ..... D26/1-4;  
313/313, 315, 316, 317, 318, 493; 315/52,  
315/53, 56, 57, 58

**DESCRIPTION**

See application file for complete search history.

FIG. 1 is a top perspective view of a light-emitting diode lamp of the present invention;  
FIG. 2 is a front view thereof;  
FIG. 3 is a rear view thereof;  
FIG. 4 is a first side view thereof;  
FIG. 5 is a second side view thereof;  
FIG. 6 is a top view thereof; and,  
FIG. 7 is a bottom view thereof.

(56) **References Cited**

The broken line showing of light-emitting diode lamp is included for the purpose of illustrating environment and forms no part of the claimed design.

**U.S. PATENT DOCUMENTS**

D391,650 S 3/1998 Hetzel et al.  
D480,486 S \* 10/2003 Kakuno et al. .... D26/2  
D487,939 S \* 3/2004 Smith ..... D26/2  
D506,840 S \* 6/2005 Van de Ven et al. .... D26/2  
D534,665 S \* 1/2007 Egawa et al. .... D26/2  
D602,614 S \* 10/2009 Takahashi et al. .... D26/2  
D613,888 S \* 4/2010 Hiraga et al. .... D26/2

**1 Claim, 7 Drawing Sheets**

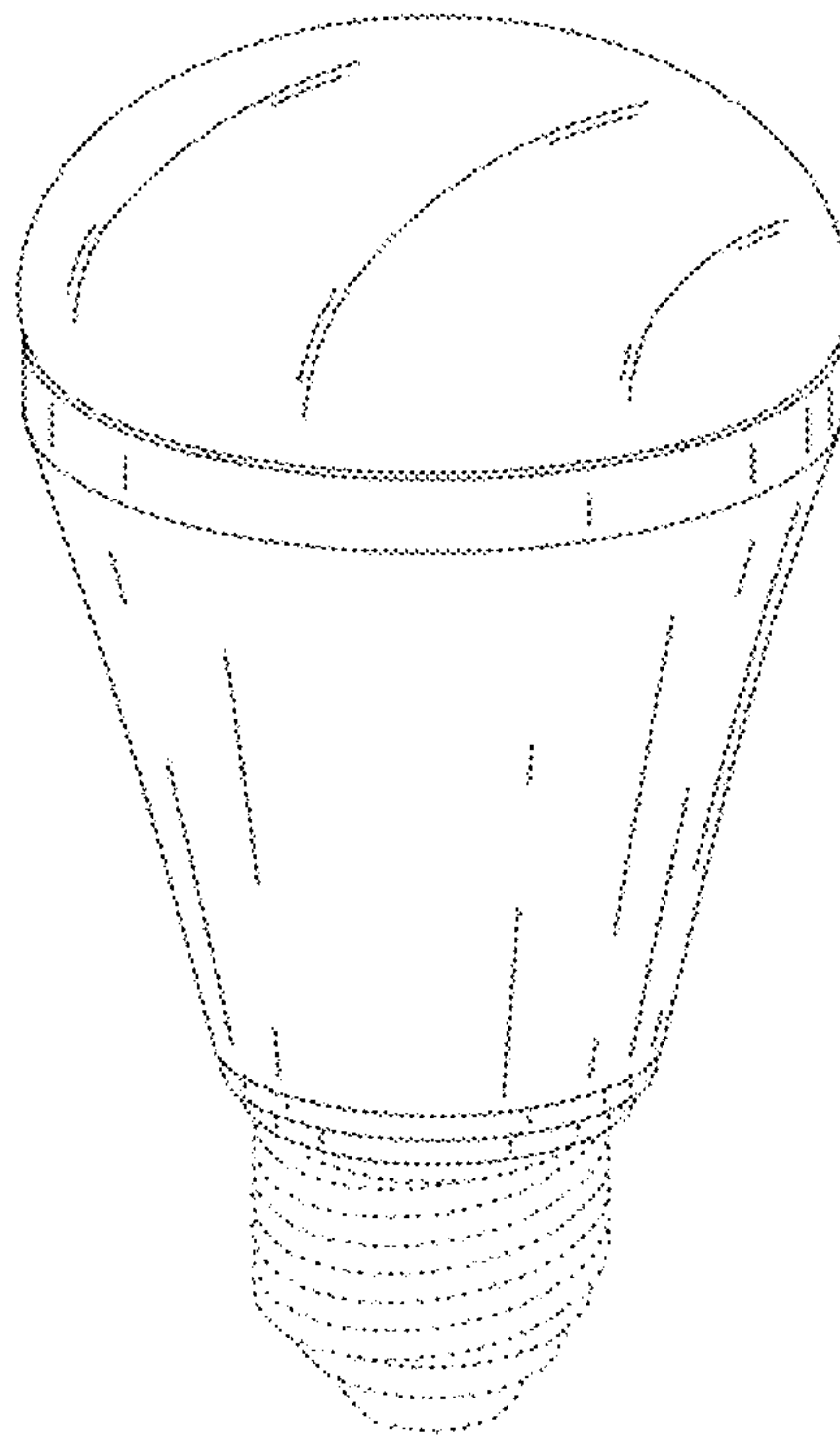


FIG. 1

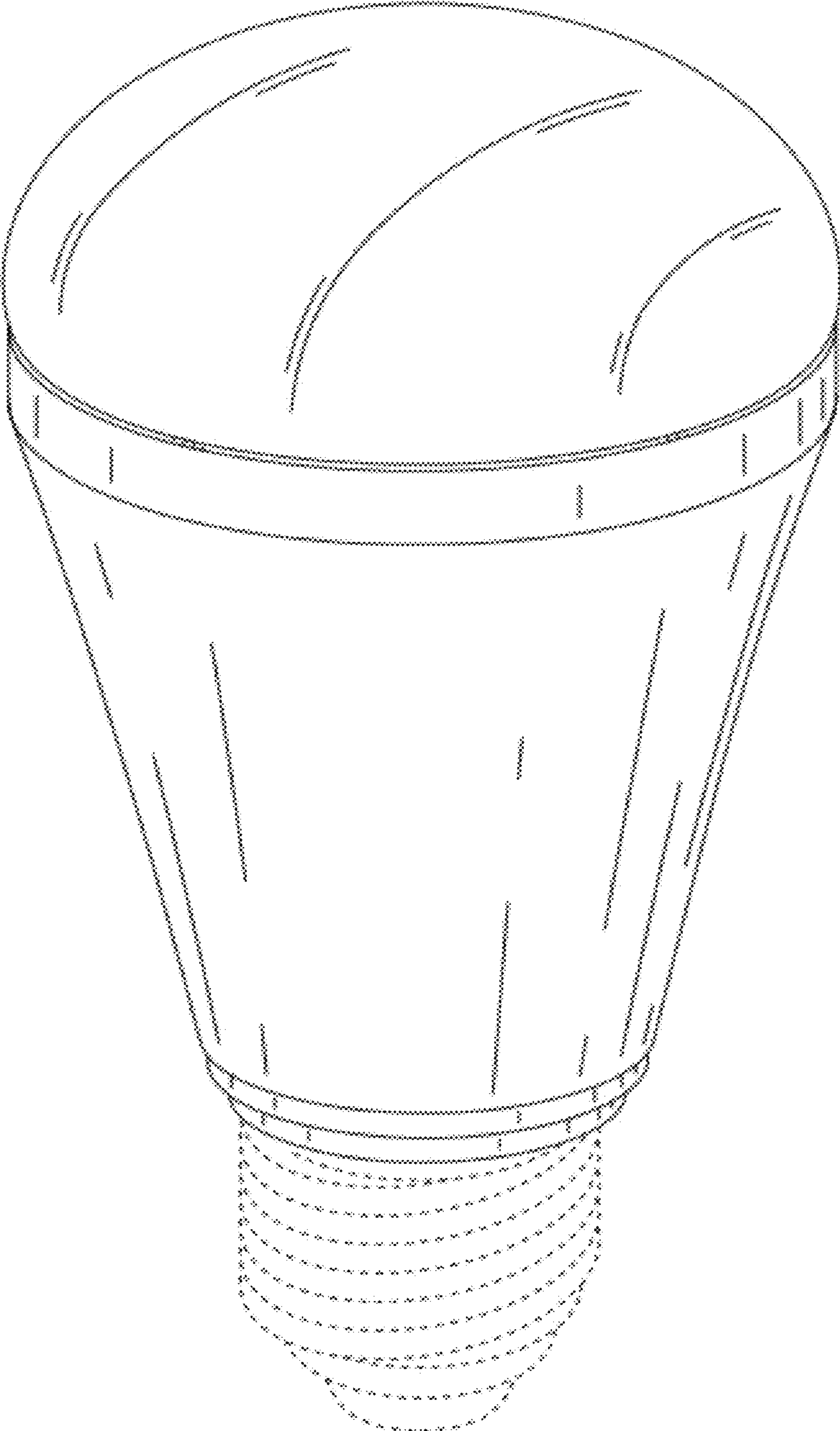


FIG. 2

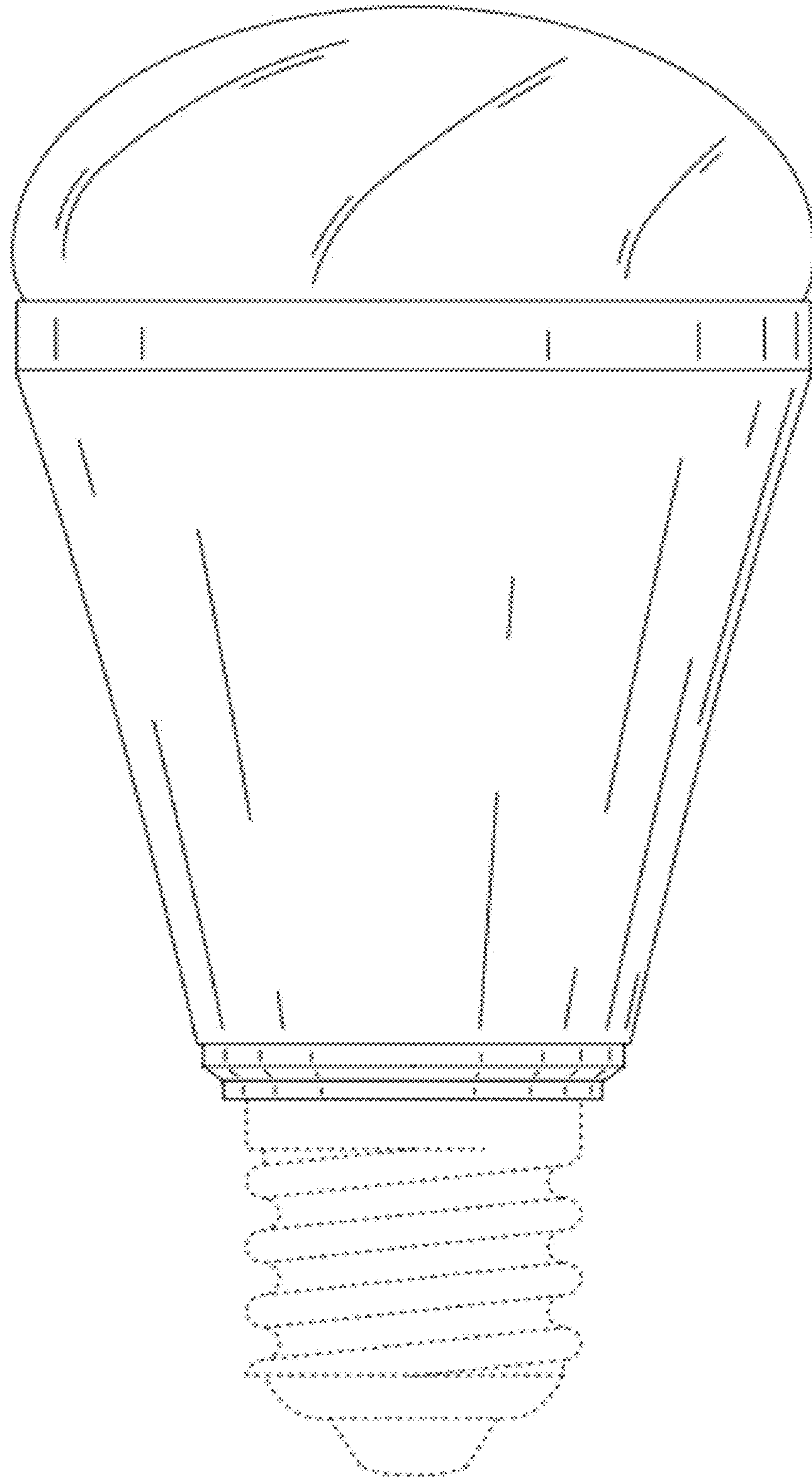


FIG. 3

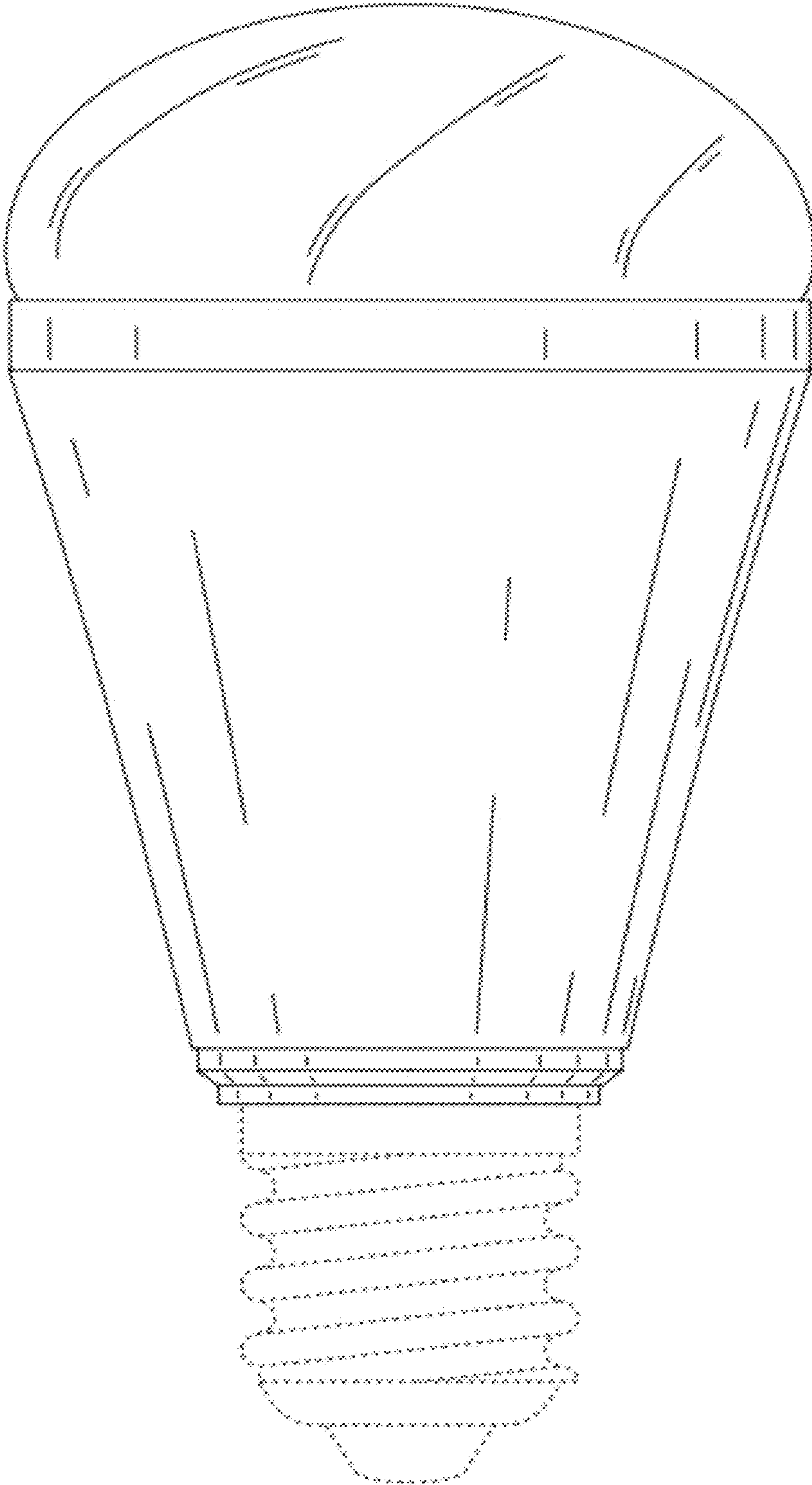




FIG. 4

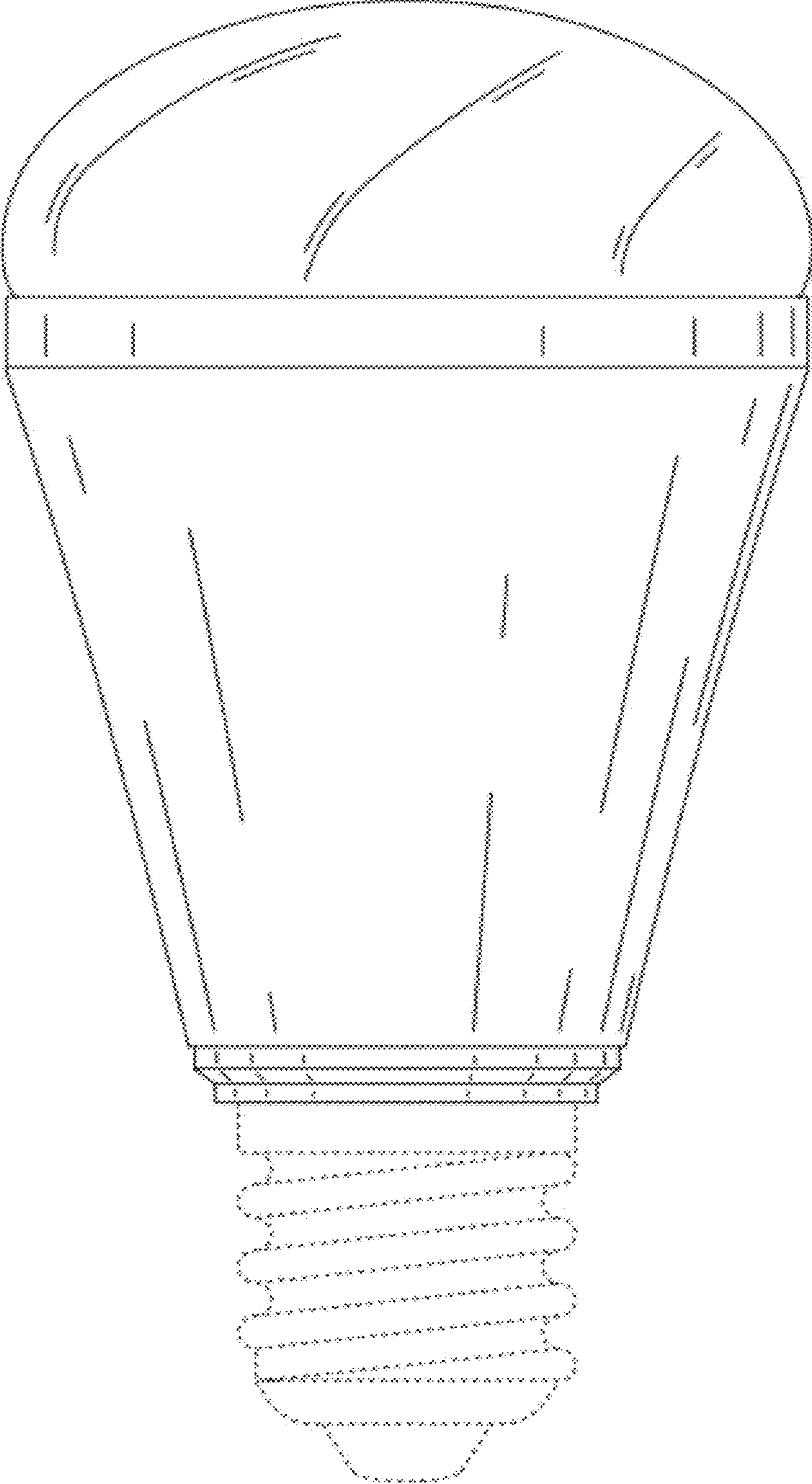


FIG. 5

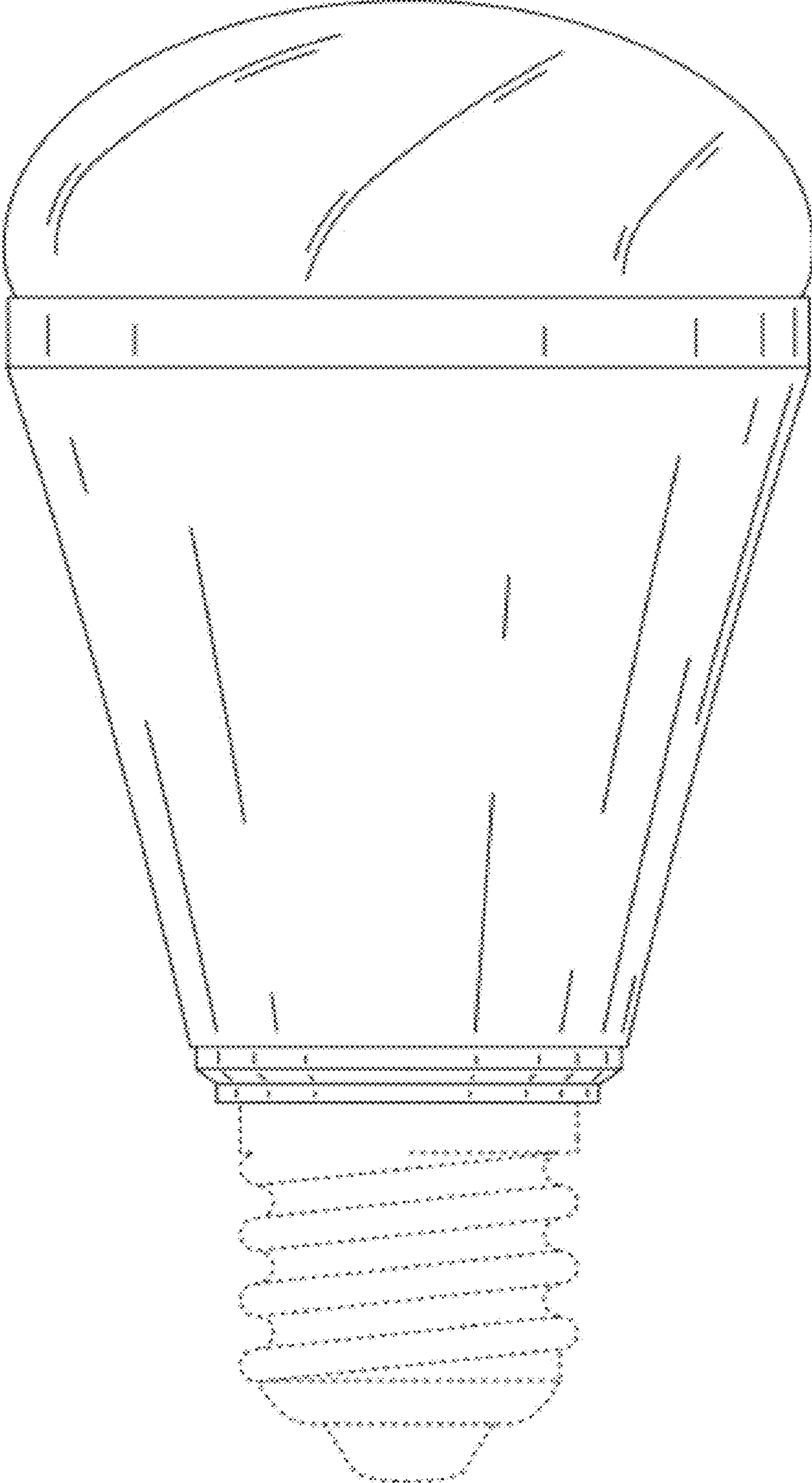


FIG. 6

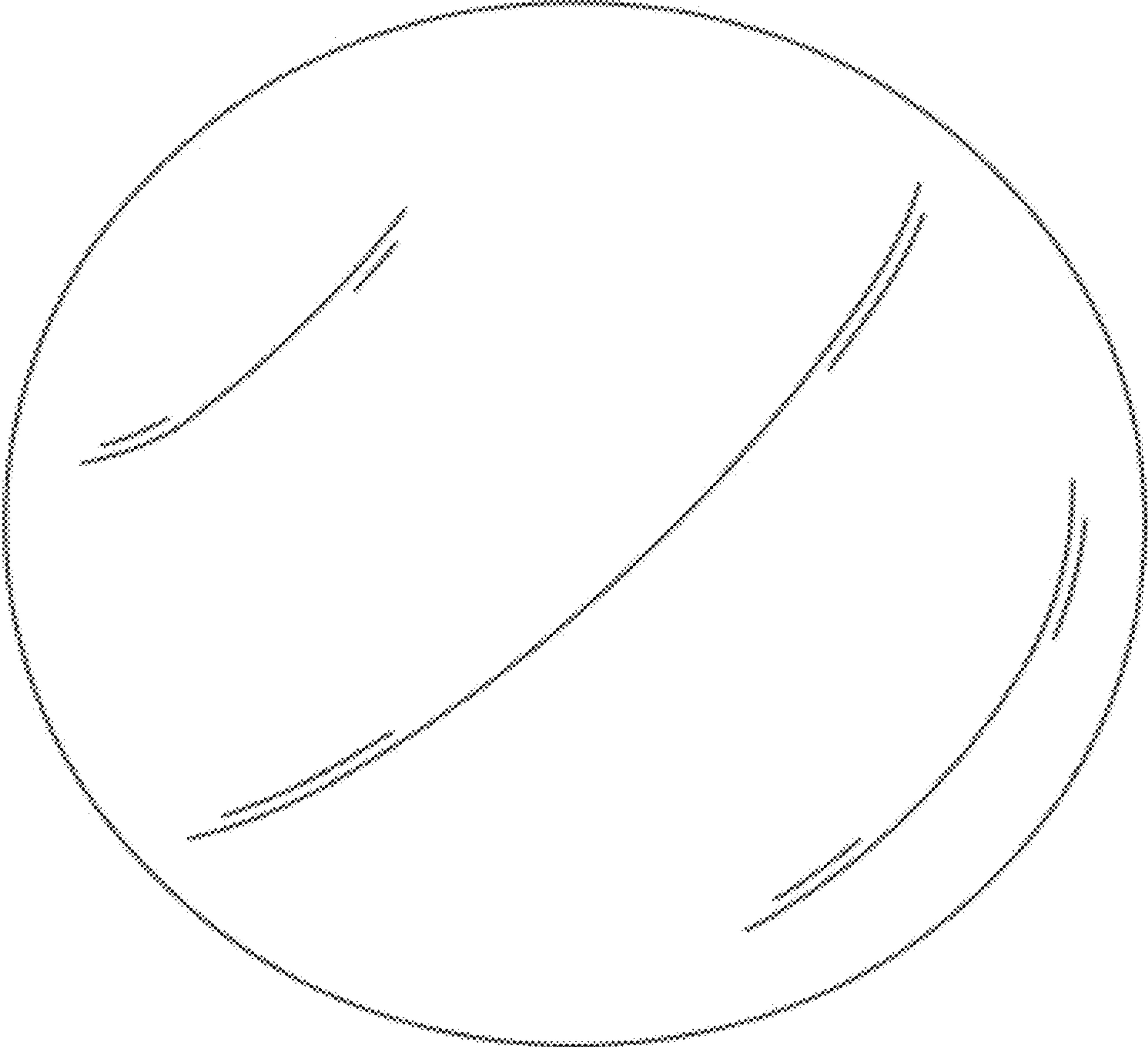


FIG. 7

